



US00D671058S

(12) **United States Design Patent**
Hermann et al.

(10) **Patent No.:** **US D671,058 S**

(45) **Date of Patent:** **** Nov. 20, 2012**

(54) **WHEEL OR WHEEL COVER**

(75) Inventors: **Torsten Hermann**, Affalterbach (DE);
Kai Hilpert, Affalterbach (DE)

(73) Assignee: **Daimler AG**, Stuttgart (DE)

(**) Term: **14 Years**

(21) Appl. No.: **29/371,514**

(22) Filed: **Mar. 31, 2011**

(30) **Foreign Application Priority Data**

Oct. 1, 2010 (EM) 001762378-0003

(51) **LOC (9) Cl.** **12-16**

(52) **U.S. Cl.** **D12/209**

(58) **Field of Classification Search** D12/204-213;
301/37.101, 64.101, 65, 64.201
See application file for complete search history.

(56) **References Cited**

U.S. PATENT DOCUMENTS

| | | | |
|--------------|---------|-----------------------|---------|
| D351,582 S * | 10/1994 | Echazabel et al. | D12/209 |
| D361,320 S * | 8/1995 | Wise | D12/209 |
| D371,100 S * | 6/1996 | Hatter | D12/209 |
| D390,180 S * | 2/1998 | Dehner | D12/209 |
| D400,153 S * | 10/1998 | Bhambra | D12/209 |
| D409,546 S * | 5/1999 | Stark | D12/209 |
| D428,377 S * | 7/2000 | Kubosaki et al. | D12/209 |
| D430,841 S * | 9/2000 | Tanghetti | D12/209 |

| | | | |
|--------------|---------|----------------------|---------|
| D445,749 S * | 7/2001 | Kuninari et al. | D12/209 |
| D451,065 S * | 11/2001 | Braun | D12/211 |
| D455,693 S * | 4/2002 | Sato et al. | D12/209 |
| D472,509 S * | 4/2003 | Laengerer | D12/209 |
| D499,058 S * | 11/2004 | Iwauchi et al. | D12/209 |
| D502,909 S * | 3/2005 | Pfeiffer | D12/211 |
| D504,096 S * | 4/2005 | Nakagawa et al. | D12/209 |
| D514,494 S * | 2/2006 | Scheu | D12/209 |
| D573,932 S * | 7/2008 | Laengerer | D12/209 |
| D584,208 S * | 1/2009 | Markefka | D12/209 |
| D619,524 S * | 7/2010 | Gabath | D12/209 |
| D631,812 S * | 2/2011 | Juergens et al. | D12/209 |
| D638,762 S * | 5/2011 | Hilpert | D12/209 |
| D654,842 S * | 2/2012 | Blasi | D12/209 |
| D655,660 S * | 3/2012 | Stucki | D12/209 |

* cited by examiner

Primary Examiner — Stacia Cadmus

(74) *Attorney, Agent, or Firm* — Crowell & Moring LLP

(57) **CLAIM**

The ornamental design for a wheel or wheel cover, as shown and described.

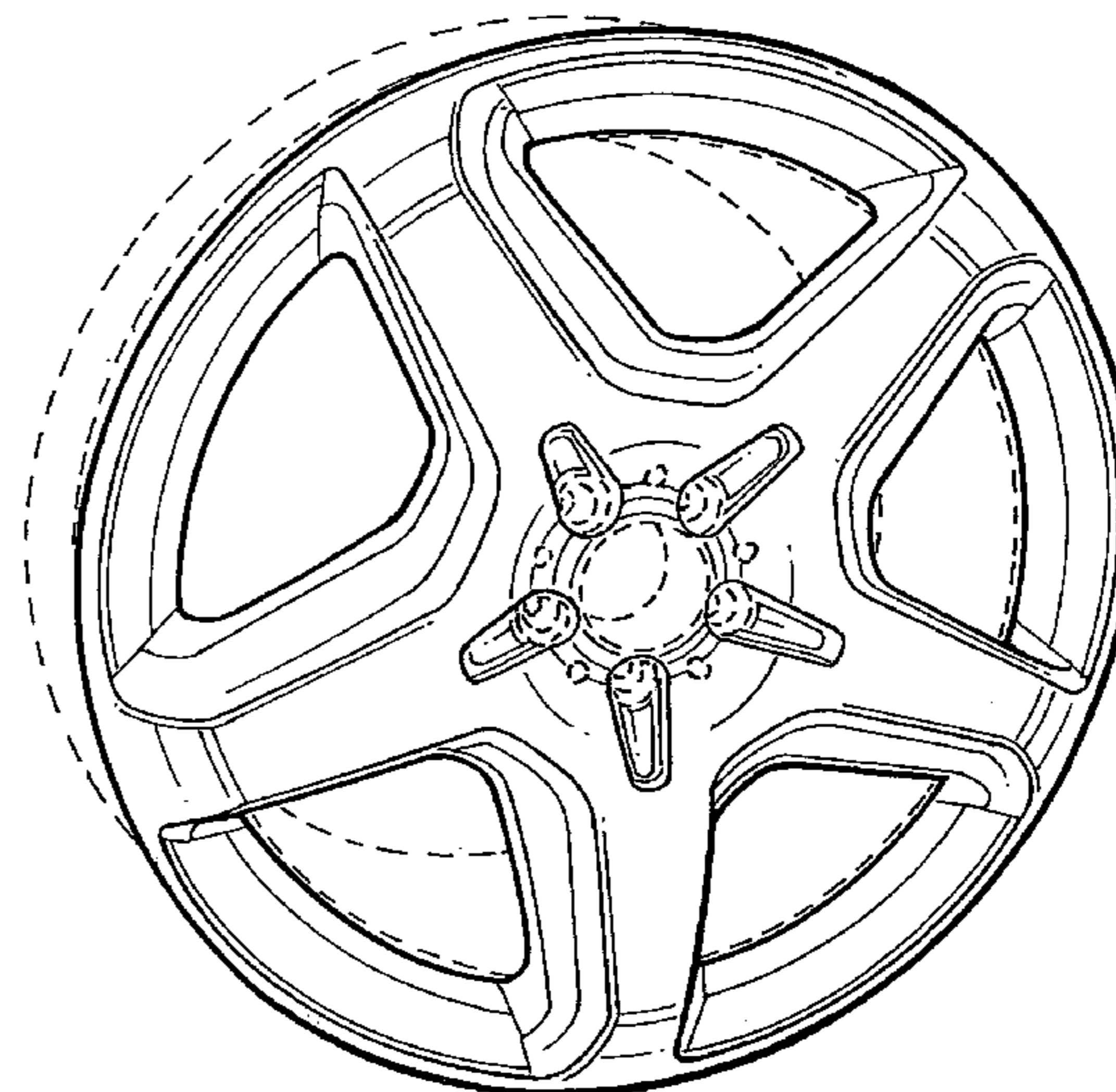
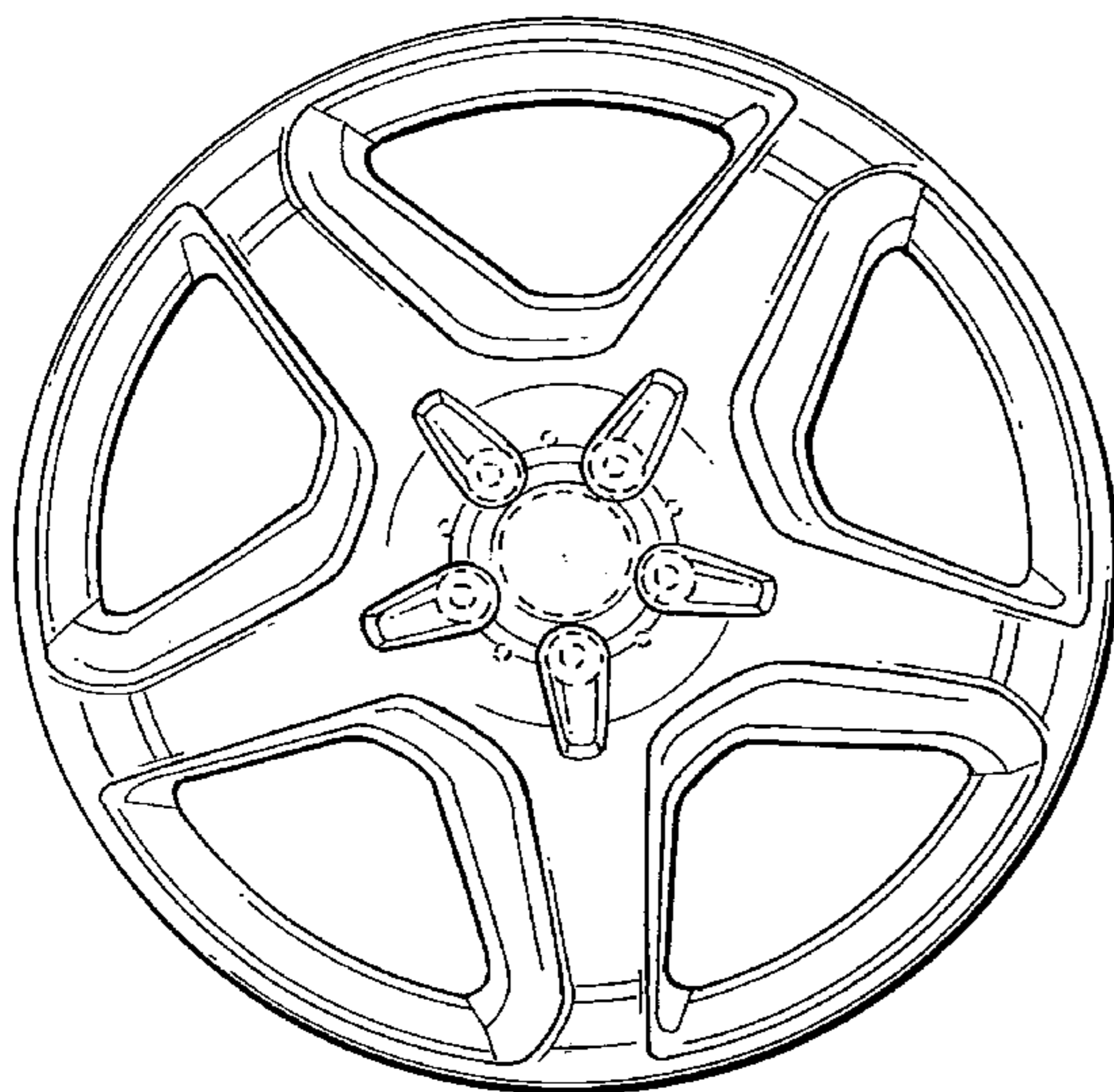
DESCRIPTION

FIG. 1 is a front view of a wheel or wheel cover according to our design; and,

FIG. 2 is a perspective view thereof.

The broken line showing of the rear of the wheel and the bolt holes and center opening in the central hub area is included for the purpose of illustrating environment and forms no part of the claimed design.

1 Claim, 1 Drawing Sheet



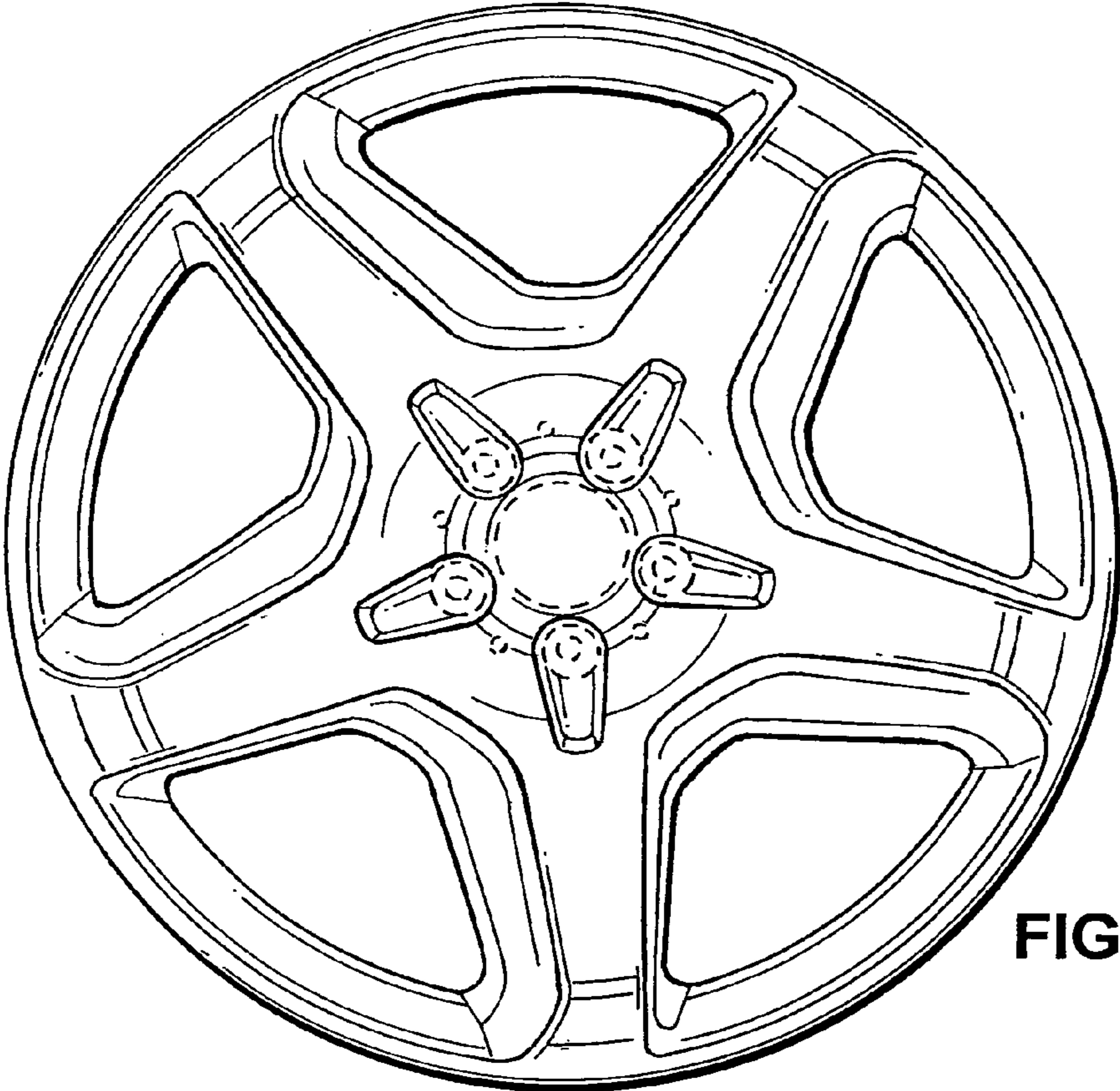


FIG. 1

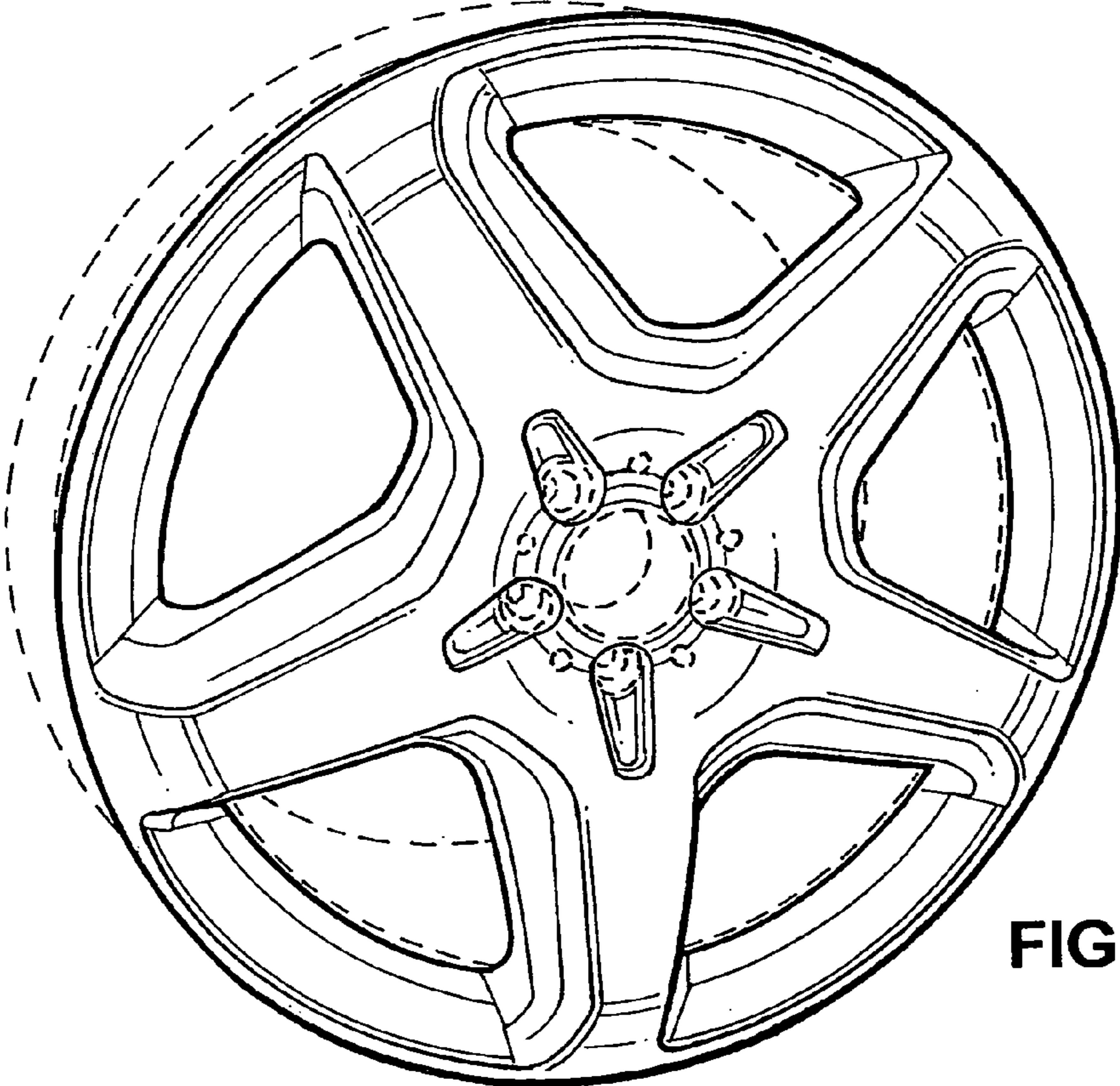


FIG. 2