



US00D671057S

(12) **United States Design Patent**  
**Tanevski et al.**

(10) **Patent No.:** **US D671,057 S**

(45) **Date of Patent:** **\*\* Nov. 20, 2012**

(54) **WHEEL OR WHEEL COVER**

(75) Inventors: **Slavche Tanevski**, Stuttgart (DE); **Mark Fetherston**, Stuttgart (DE); **Klaus Frenzel**, Stuttgart (DE)

(73) Assignee: **Daimler AG**, Stuttgart (DE)

(\*\*) Term: **14 Years**

(21) Appl. No.: **29/371,260**

(22) Filed: **Dec. 15, 2010**

(30) **Foreign Application Priority Data**

Jun. 16, 2010 (EM) ..... 001720442-0001

(51) **LOC (9) Cl.** ..... **12-16**

(52) **U.S. Cl.** ..... **D12/209**

(58) **Field of Classification Search** ..... D12/204-213;  
301/37.101, 64.101, 65, 64.201  
See application file for complete search history.

(56) **References Cited**

**U.S. PATENT DOCUMENTS**

D453,134 S \* 1/2002 Murkett et al. .... D12/209  
D503,669 S \* 4/2005 Bhambra ..... D12/211  
D506,717 S \* 6/2005 Gallert ..... D12/209  
D533,826 S \* 12/2006 Scheu ..... D12/211

D542,207 S \* 5/2007 Gauffres ..... D12/211  
D608,713 S \* 1/2010 Bucher et al. .... D12/209  
D613,657 S \* 4/2010 Cortes ..... D12/209  
D629,346 S \* 12/2010 Szews ..... D12/211  
D644,588 S \* 9/2011 Schweizer ..... D12/211  
D648,254 S \* 11/2011 Barry ..... D12/209  
D649,503 S \* 11/2011 Platto et al. .... D12/209  
D651,956 S \* 1/2012 Ectors et al. .... D12/209  
D652,777 S \* 1/2012 Spogis ..... D12/211  
D658,108 S \* 4/2012 Fetherston et al. .... D12/211

\* cited by examiner

*Primary Examiner* — Stacia Cadmus

(74) *Attorney, Agent, or Firm* — Crowell & Moring LLP

(57) **CLAIM**

The ornamental design for a wheel or wheel cover, as shown and described.

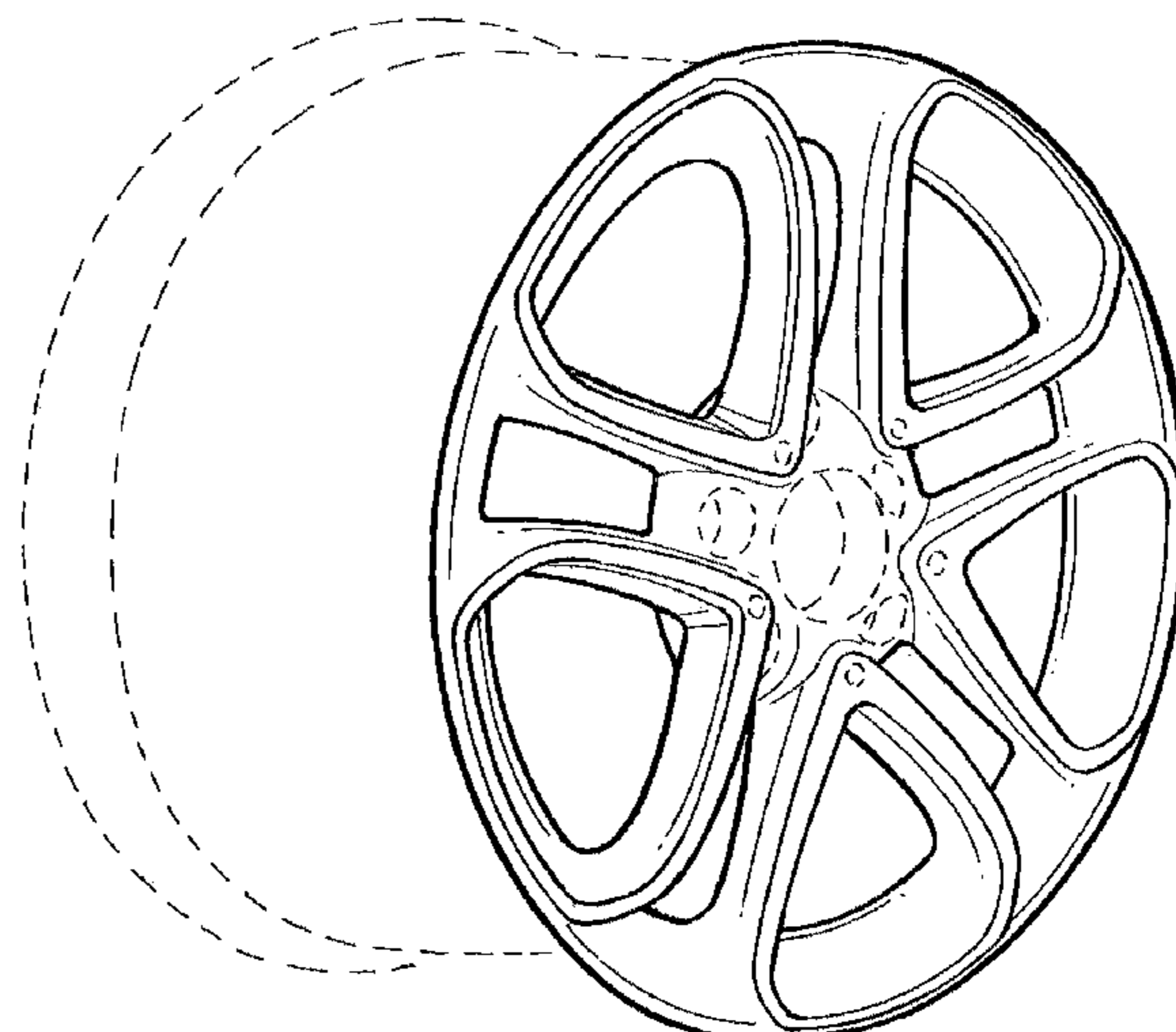
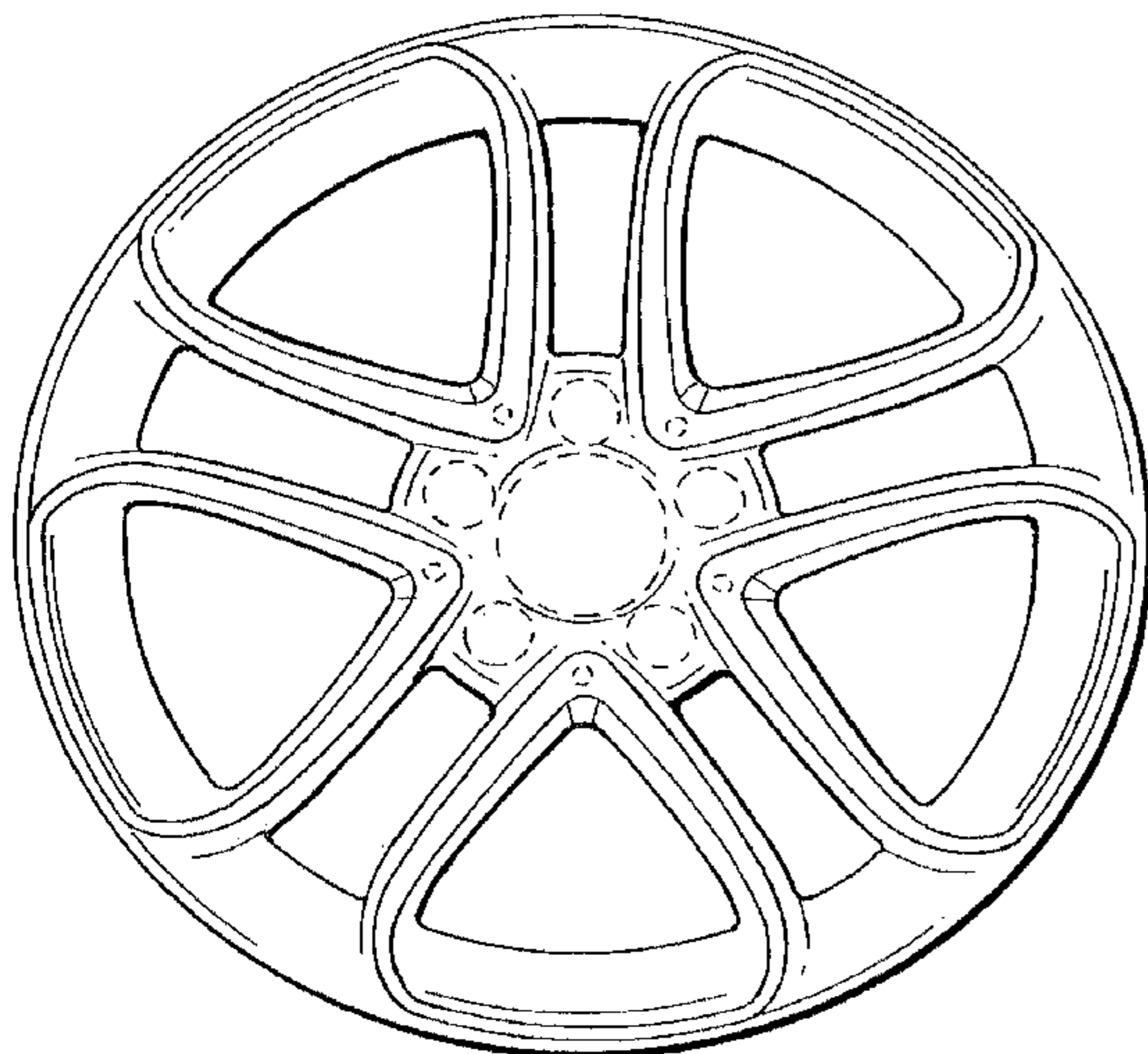
**DESCRIPTION**

FIG. 1 is a front view of a wheel or wheel cover according to our design; and,

FIG. 2 is a perspective view thereof.

The broken line showing of the rear of the wheel and the bolt holes and center opening in the central hub area is included for the purpose of illustrating environment and forms no part of the claimed design.

**1 Claim, 1 Drawing Sheet**



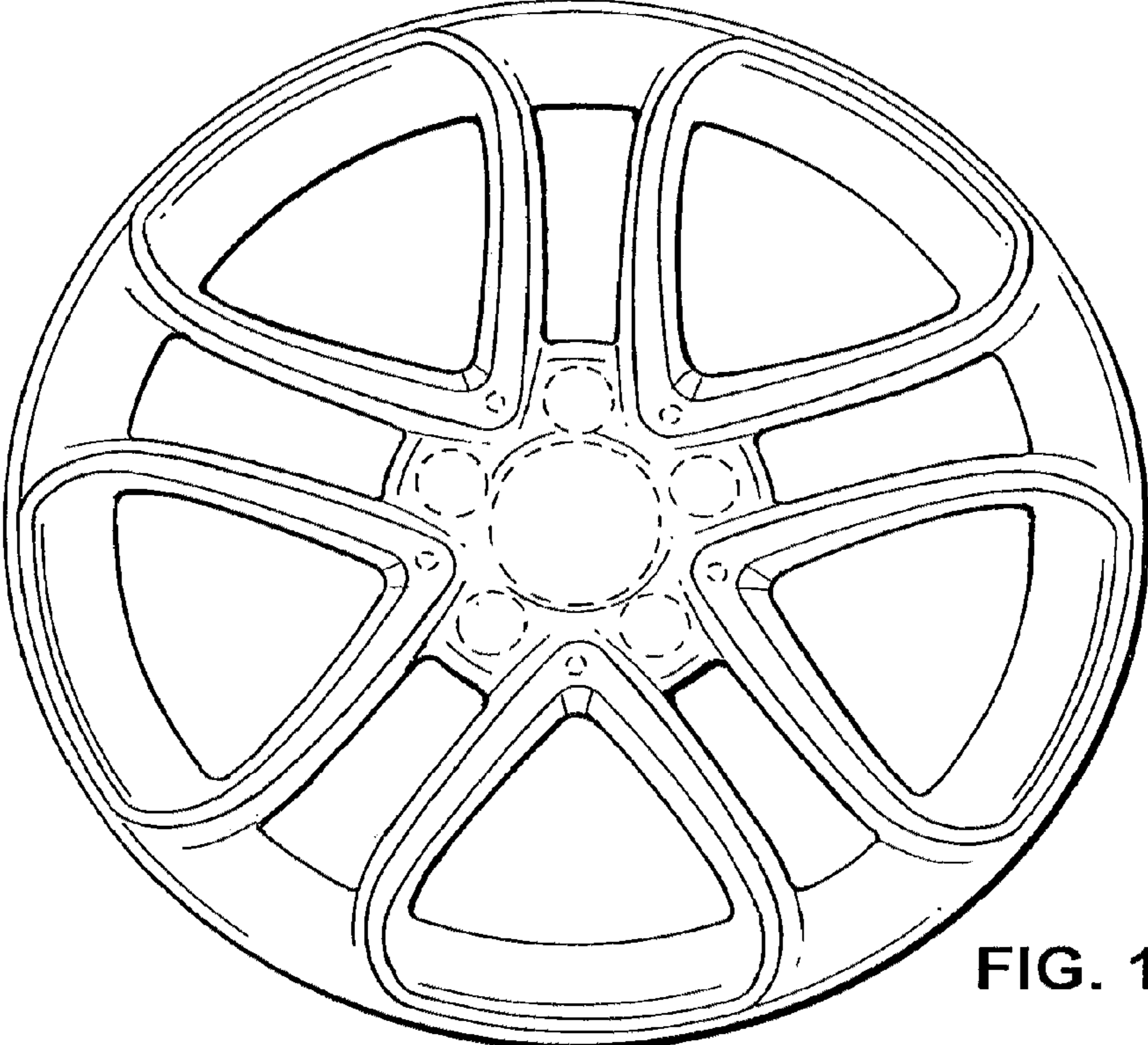


FIG. 1

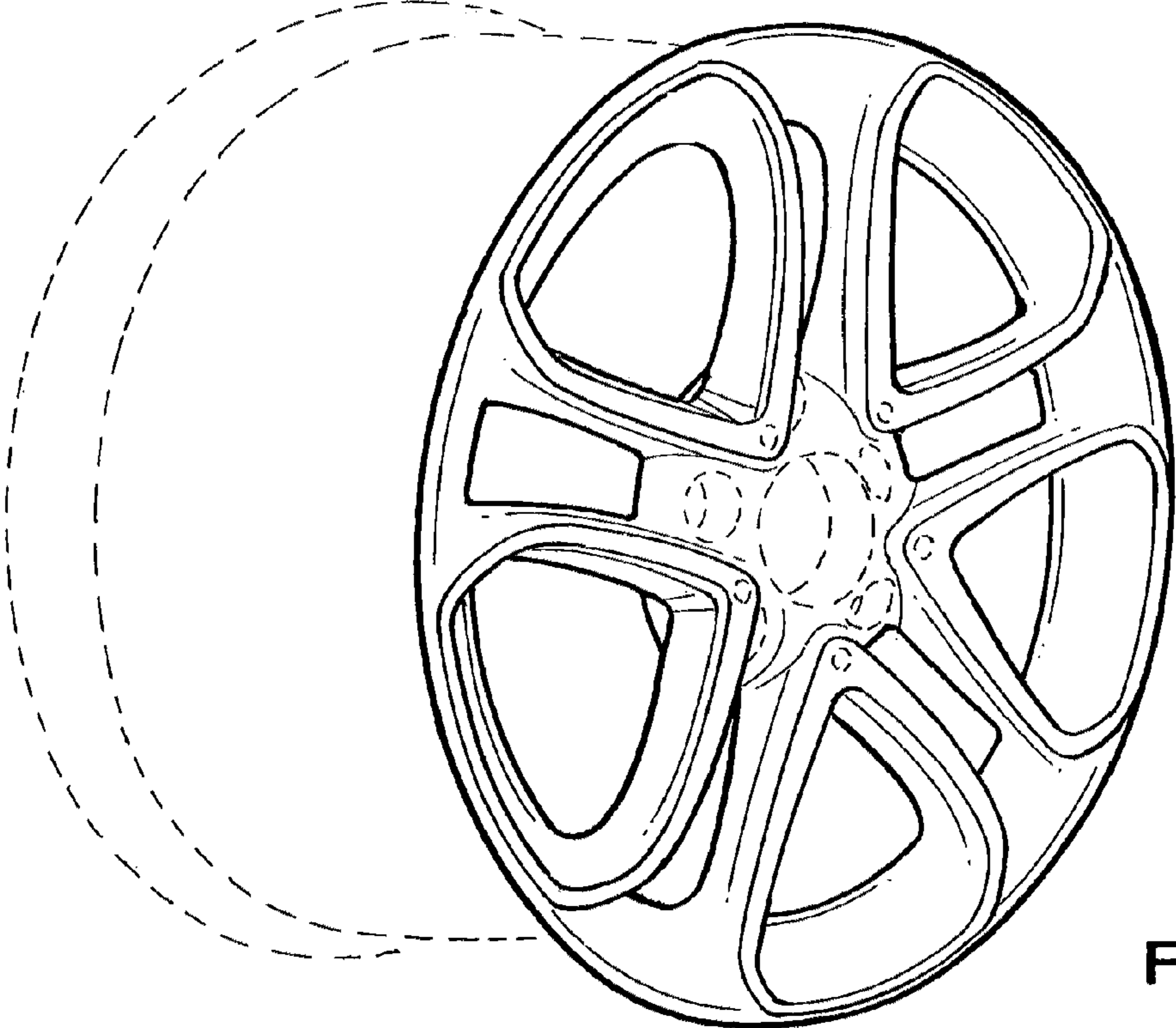


FIG. 2