

US00D671054S

(12) **United States Design Patent**
Yamada et al.

(10) **Patent No.:** **US D671,054 S**

(45) **Date of Patent:** **** Nov. 20, 2012**

(54) **REAR BUMPER FOR AN AUTOMOBILE**

(75) Inventors: **Masayuki Yamada**, Aichi-ken (JP);
Noriyuki Nakamura, Shizuoka-ken
(JP); **Junichi Toura**, Shizuoka-ken (JP)

(73) Assignee: **Toyota Jidosha Kabushiki Kaisha**,
Toyota-shi (JP)

(**) Term: **14 Years**

(21) Appl. No.: **29/405,082**

(22) Filed: **Oct. 28, 2011**

(51) **LOC (9) Cl.** **12-16**

(52) **U.S. Cl.** **D12/169**

(58) **Field of Classification Search** D12/169,
D12/196, 171, 216, 163, 86, 90-92; 293/102,
293/113, 115, 117, 120; 296/180.1, 180.2
See application file for complete search history.

(56) **References Cited**

U.S. PATENT DOCUMENTS

D534,462 S	1/2007	Hiruta et al.	
D561,071 S *	2/2008	Golden et al.	D12/169
D563,291 S	3/2008	Nishihama et al.	
D566,017 S *	4/2008	Pfeiffer	D12/169
D583,723 S	12/2008	Murakami	
D585,002 S *	1/2009	Tamura	D12/169
D592,570 S *	5/2009	Lamm	D12/169
D605,568 S *	12/2009	Ward	D12/169
D609,614 S *	2/2010	Okue et al.	D12/169
D631,407 S *	1/2011	Kuze	D12/169
D637,535 S *	5/2011	Yukawa et al.	D12/169

D640,613 S *	6/2011	Bauer et al.	D12/169
D653,593 S *	2/2012	Nishihama	D12/169
D659,603 S *	5/2012	Varga	D12/169
D659,609 S *	5/2012	Furukado	D12/169
D659,610 S *	5/2012	Tanaka	D12/169

OTHER PUBLICATIONS

Toyota Sai, <http://response.jp/article/2009/10/20/131123.html>, Sep. 13, 2010.

Suzuki SX4 Sedan, <http://navi.carsensorlab.net/news/15-2393>, Sep. 13, 2010.

* cited by examiner

Primary Examiner — Melody N Brown

(74) *Attorney, Agent, or Firm* — Finnegan, Henderson, Farabow, Garrett & Dunner, LLP

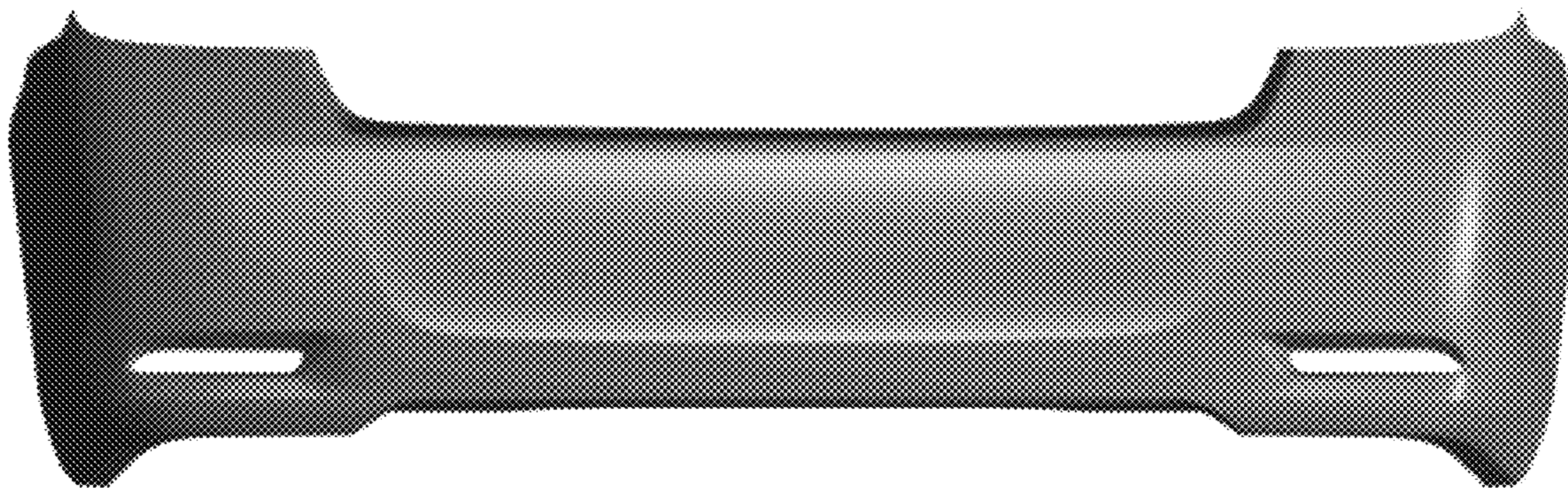
(57) **CLAIM**

The ornamental design for a rear bumper for an automobile, as shown and described.

DESCRIPTION

FIG. 1 is a front perspective view of a rear bumper for an automobile of our new design;
FIG. 2 is a front view thereof;
FIG. 3 is a rear view thereof;
FIG. 4 is a top plan view thereof;
FIG. 5 is a bottom view thereof;
FIG. 6 is a right side view thereof; and,
FIG. 7 is a left side view thereof.

1 Claim, 4 Drawing Sheets



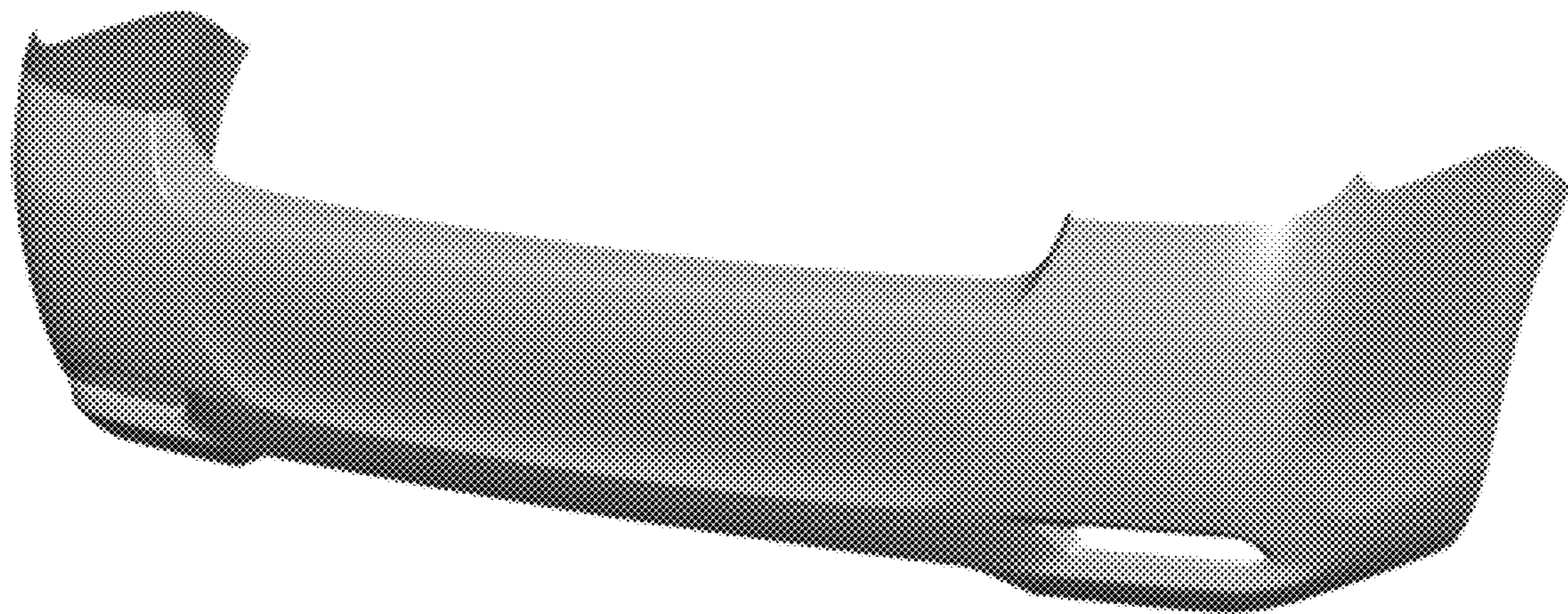


FIG. 1

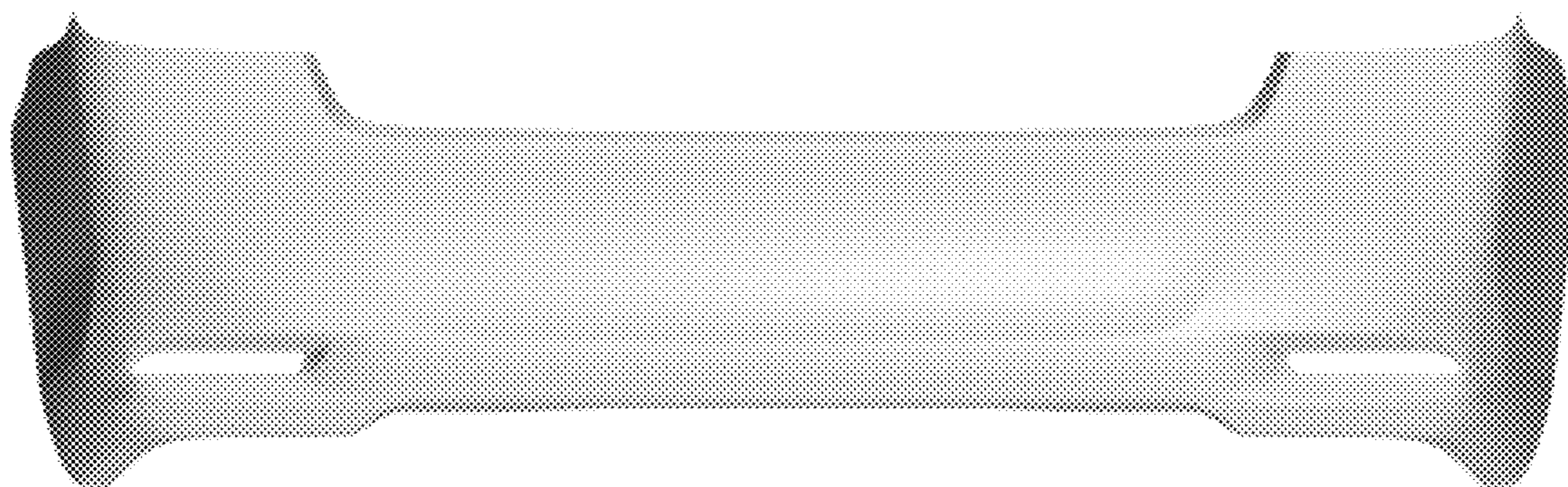


FIG. 2

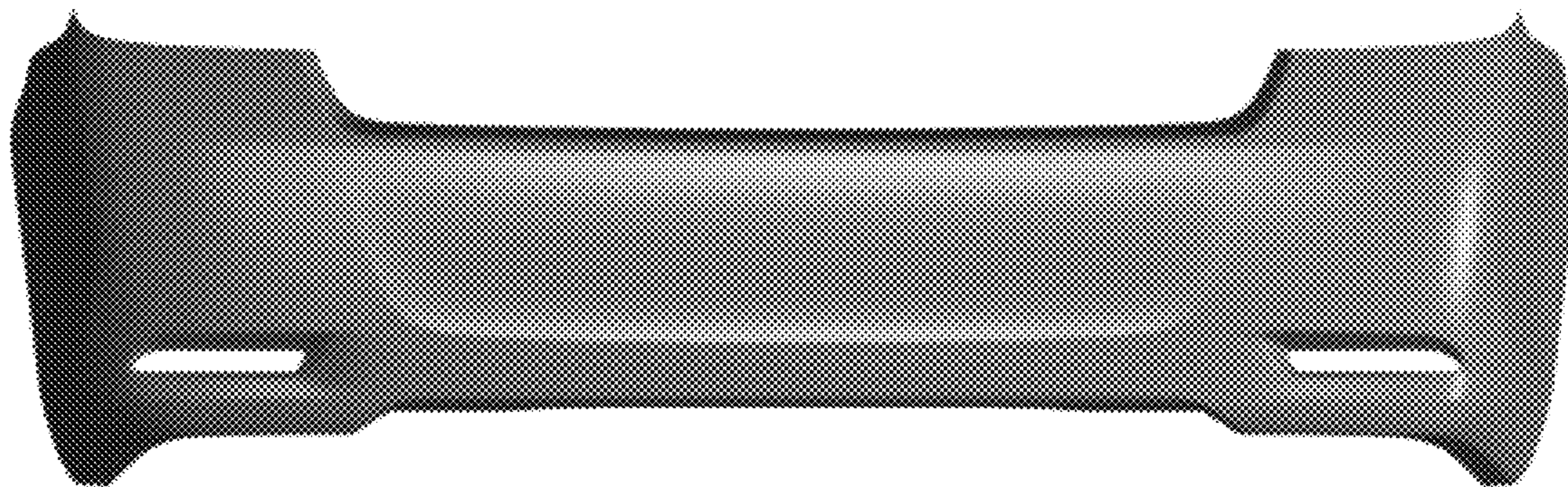


FIG. 3

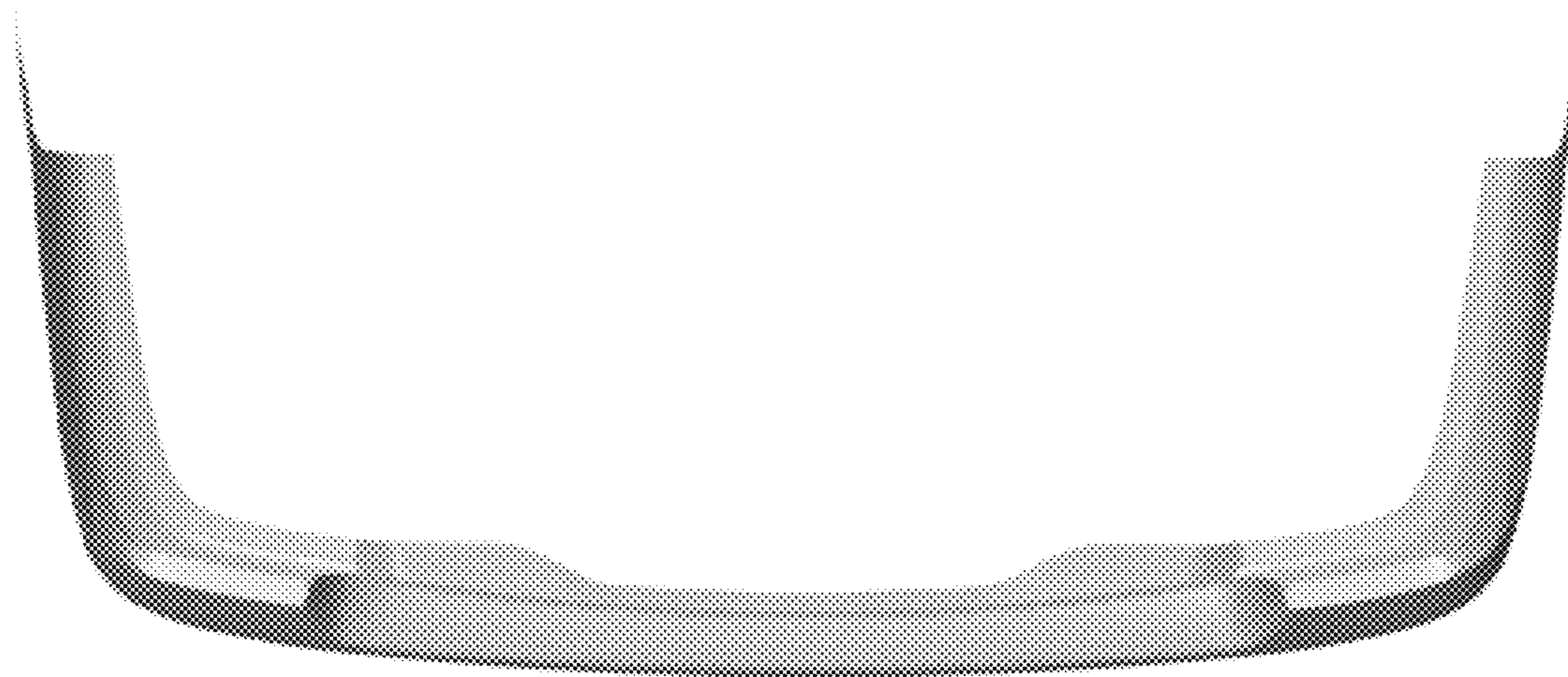


FIG. 4

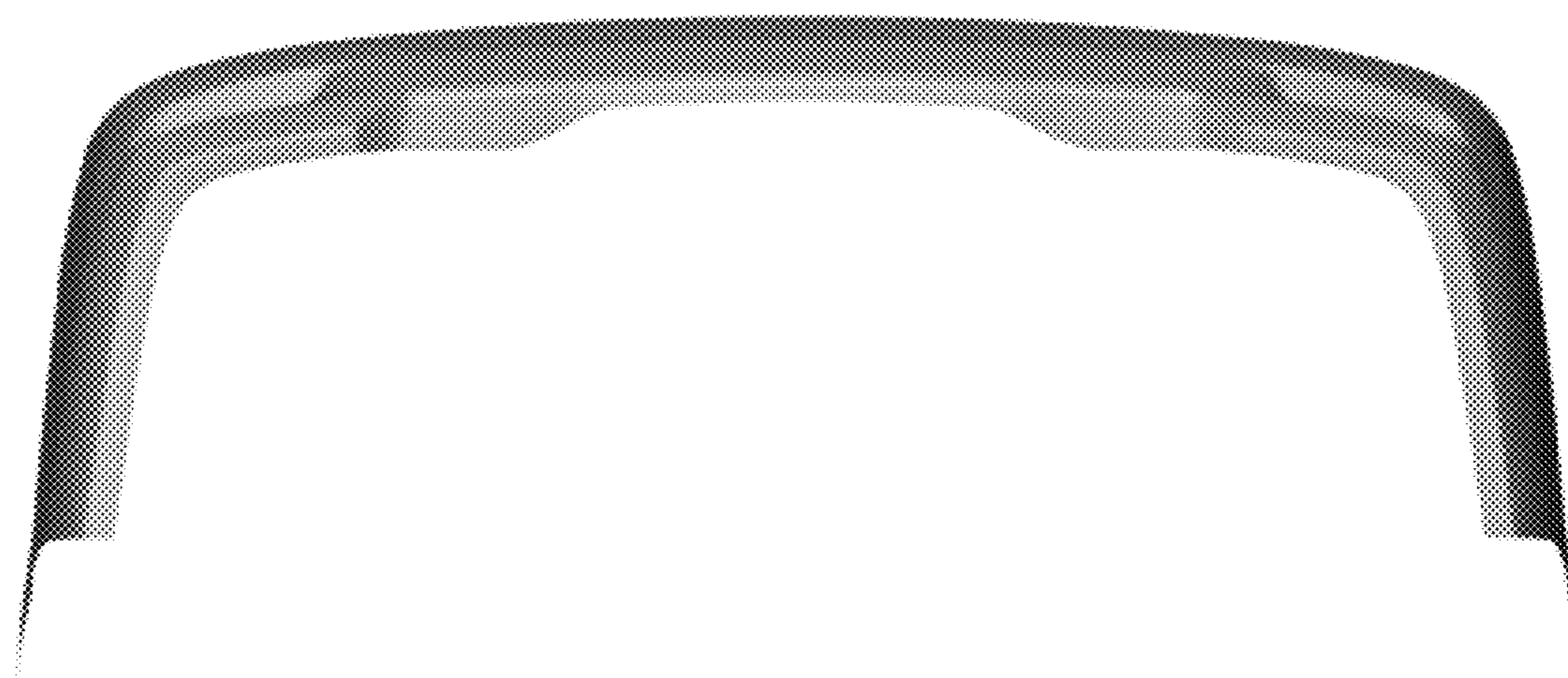


FIG. 5

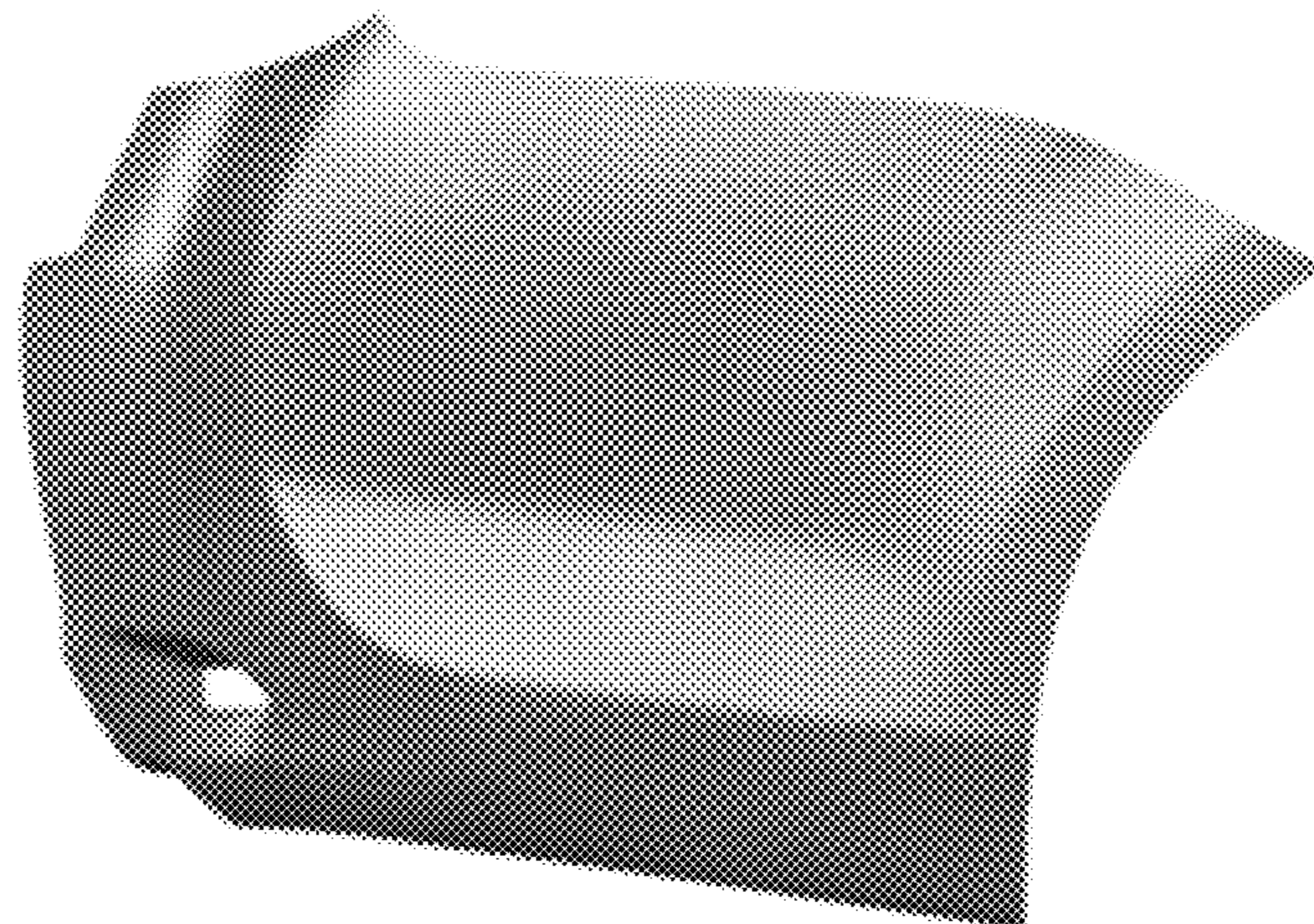


FIG. 6

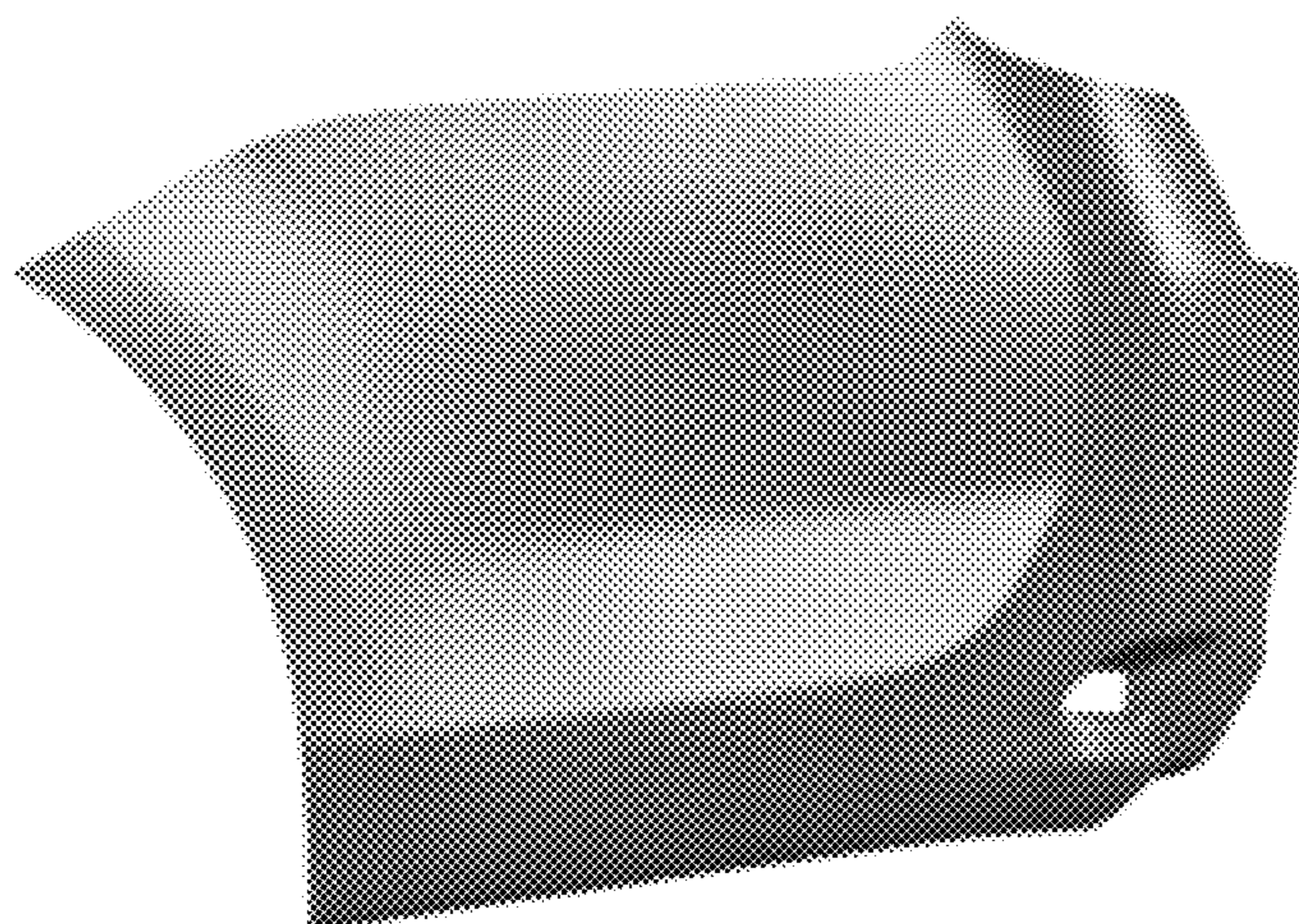


FIG. 7