



US00D671049S

(12) **United States Design Patent**  
**Davidson et al.**

(10) **Patent No.:** **US D671,049 S**

(45) **Date of Patent:** **\*\* Nov. 20, 2012**

(54) **VEHICLE BUMPER UNIT**

(75) Inventors: **Benjamin Davidson**, Torrance, CA  
(US); **Chirag Patel**, Dallas, TX (US)

(73) Assignee: **Honda Motor Co., Ltd.**, Tokyo (JP)

(\*\*) Term: **14 Years**

(21) Appl. No.: **29/399,506**

(22) Filed: **Aug. 15, 2011**

(51) **LOC (9) Cl.** ..... **12-16**

(52) **U.S. Cl.** ..... **D12/169**

(58) **Field of Classification Search** ..... D12/169,  
D12/196, 171, 216, 163, 86, 90-92; 293/102,  
293/113, 115, 117, 120; 296/180.1, 180.2  
See application file for complete search history.

(56) **References Cited**

**U.S. PATENT DOCUMENTS**

D610,503 S \* 2/2010 Bucher et al. .... D12/169  
D610,504 S \* 2/2010 Bucher et al. .... D12/169

D626,470 S \* 11/2010 Komuro ..... D12/169  
D637,535 S \* 5/2011 Yukawa et al. .... D12/169  
D639,215 S \* 6/2011 Faghihzadeh ..... D12/169  
D640,613 S \* 6/2011 Bauer et al. .... D12/169

\* cited by examiner

*Primary Examiner* — Melody N Brown

(74) *Attorney, Agent, or Firm* — Plumsea Law Group, LLC;  
Mark E. Duell

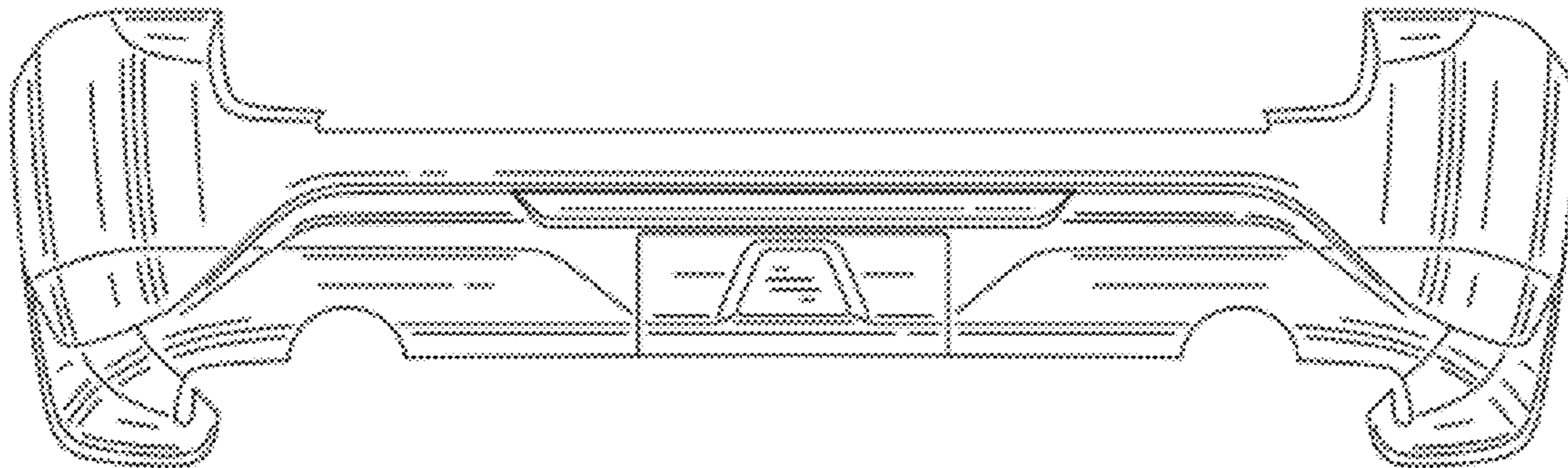
(57) **CLAIM**

The ornamental design for a vehicle bumper unit, as shown and described.

**DESCRIPTION**

FIG. 1 is a perspective view of a vehicle bumper unit showing our new design;  
FIG. 2 is a front elevational view thereof;  
FIG. 3 is a side elevational view thereof, the opposite side elevational view being a mirror image; and,  
FIG. 4 is a top plan view thereof.

**1 Claim, 2 Drawing Sheets**



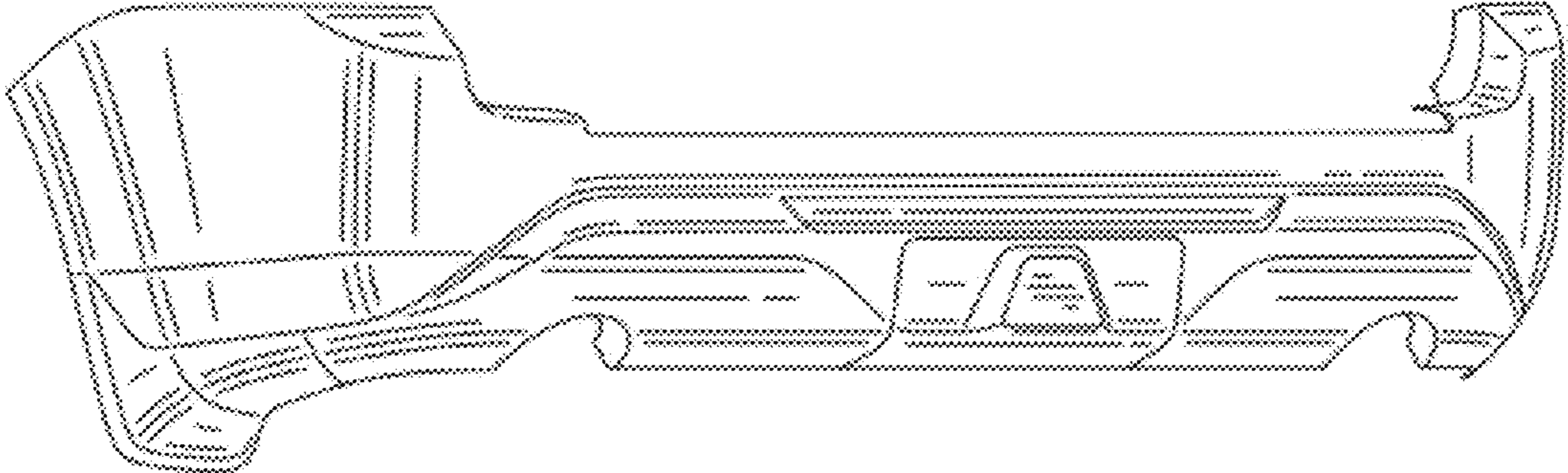


FIG. 1

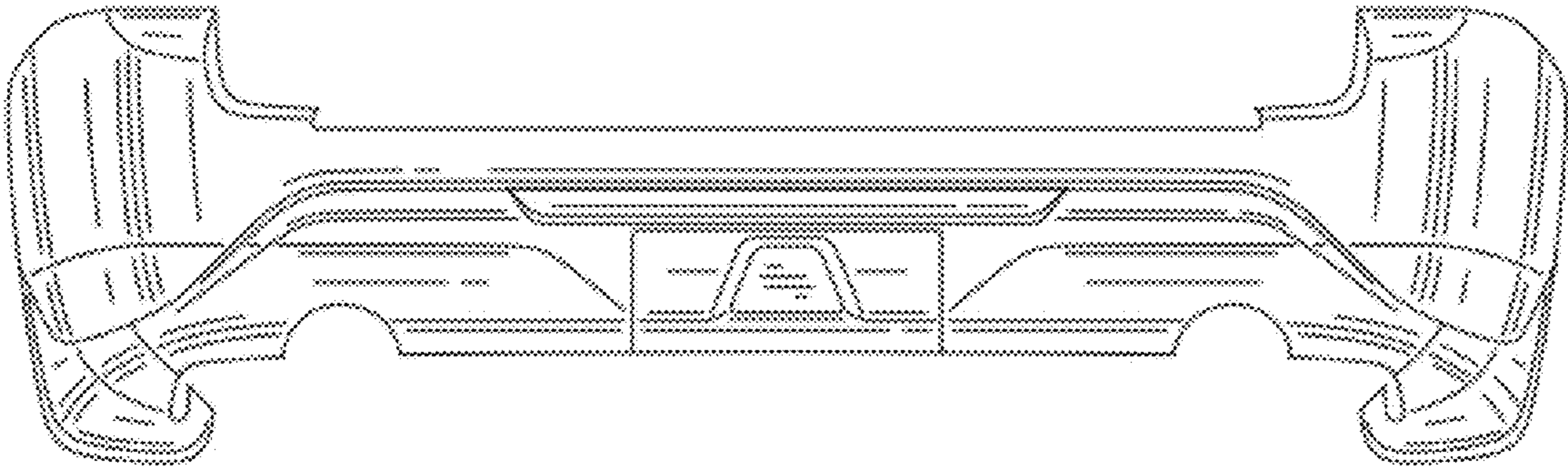


FIG. 2

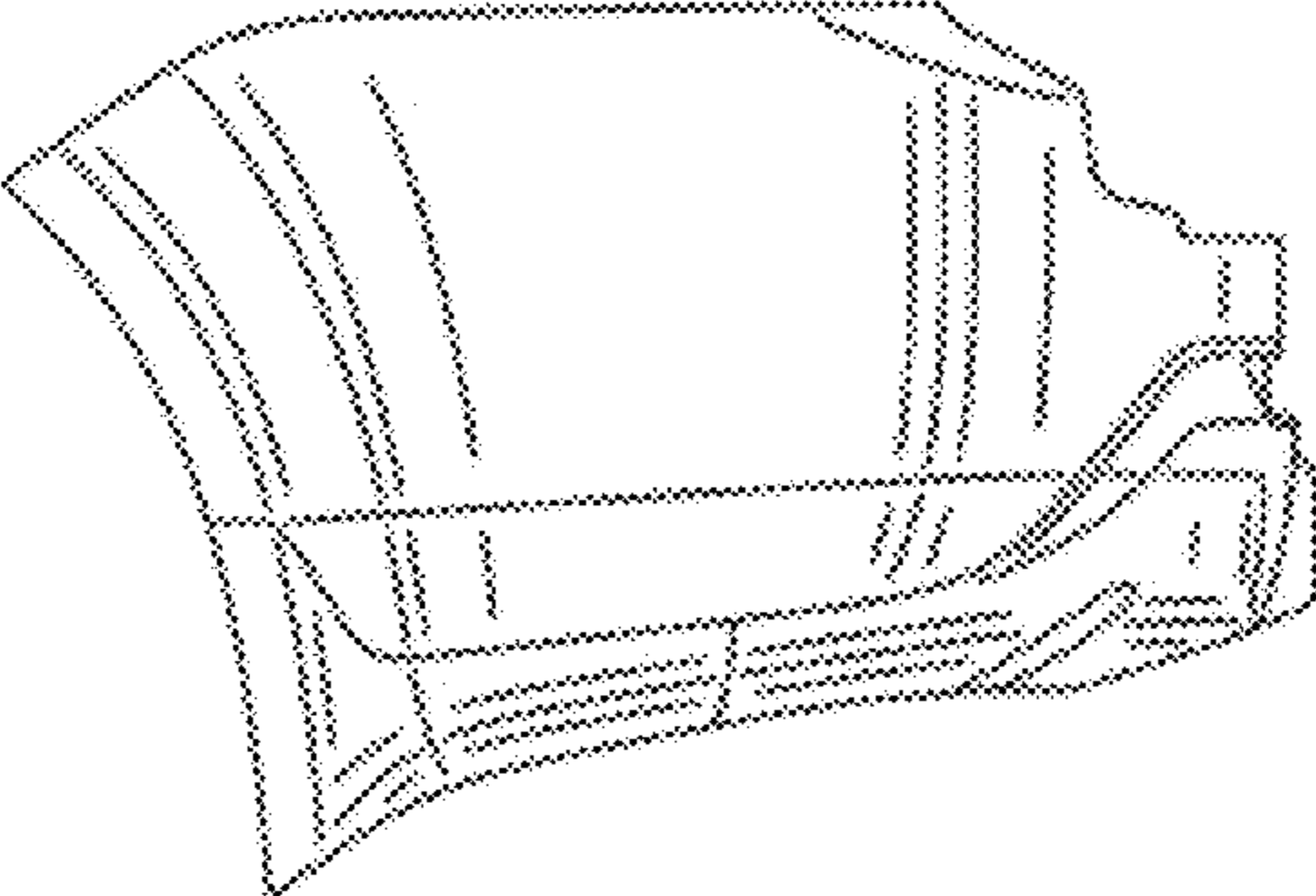


FIG. 3

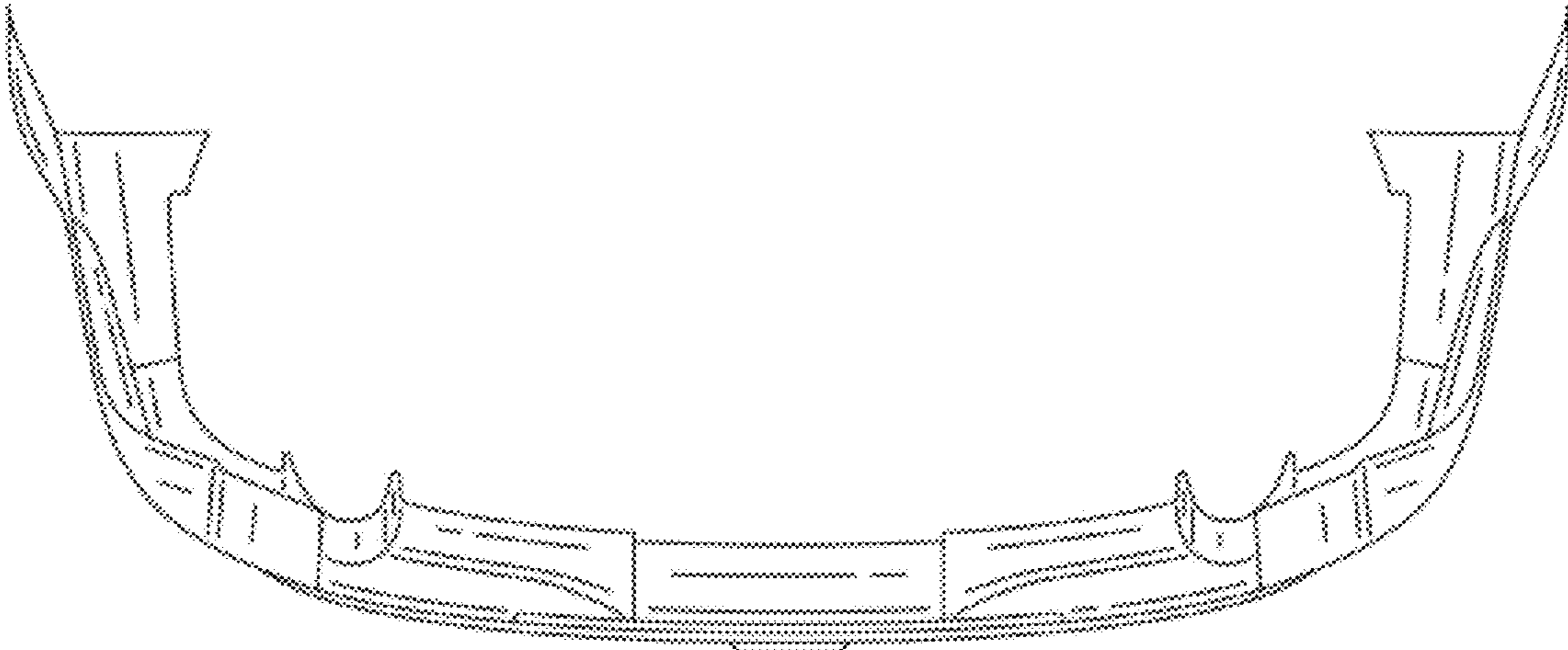


FIG. 4