



US00D671046S

(12) **United States Design Patent**
May

(10) **Patent No.:** **US D671,046 S**

(45) **Date of Patent:** **** Nov. 20, 2012**

(54) **BOAT FENDER**

(75) Inventor: **Marcus N. May**, Bath, OH (US)

(73) Assignee: **Direct Store Delivery, Ltd.**, Cincinnati, OH (US)

(**) Term: **14 Years**

(21) Appl. No.: **29/397,002**

(22) Filed: **Jul. 11, 2011**

(51) **LOC (9) Cl.** **12-16**

(52) **U.S. Cl.** **D12/168; D12/317; D9/500**

(58) **Field of Classification Search** D12/168,
D12/300, 317; D9/500, 502, 505, 549; 14/76;
40/215, 326, 538; 114/219, 220; 405/211,
405/212, 213, 215, 216

See application file for complete search history.

(56) **References Cited**

U.S. PATENT DOCUMENTS

3,670,440	A *	6/1972	Yost	40/215
D230,256	S	2/1974	Ckola et al.		
4,228,758	A	10/1980	Domau et al.		
4,252,073	A	2/1981	Hartung et al.		
4,416,073	A *	11/1983	Vicino et al.	40/326
4,447,974	A *	5/1984	Vicino et al.	40/538
4,885,858	A *	12/1989	Strom	40/538
D359,019	S	6/1995	Kimball		
D361,969	S	9/1995	Petersen		
D374,176	S *	10/1996	Sillince et al.	D9/719
D419,452	S	1/2000	DeVore		
D452,436	S *	12/2001	Darr et al.	D9/500
D456,323	S	4/2002	Dietz		
D461,674	S *	8/2002	Dorney	D7/301

D475,926	S *	6/2003	Rusnock et al.	D9/502
D510,895	S	10/2005	Nelson		
D572,590	S *	7/2008	Coulis et al.	D9/500
D617,694	S *	6/2010	Kunkemoeller	D12/168
2003/0150145	A1	8/2003	Kretzschmar		

* cited by examiner

Primary Examiner — Janice Seeger

Assistant Examiner — Martie K Holtje

(74) *Attorney, Agent, or Firm* — John B. Woodard

(57) **CLAIM**

The ornamental design for a boat fender, as shown and described.

DESCRIPTION

FIG. 1 is a perspective view of the boat fender showing my new design;

FIG. 2 is a front elevational view, the rear and side views being identical thereto;

FIG. 3 is a top plan view; and

FIG. 4 is a bottom plan view thereof.

FIG. 5 is a perspective view of a second embodiment of the boat fender of my design of FIG. 1;

FIG. 6 is a side elevational view of FIG. 5;

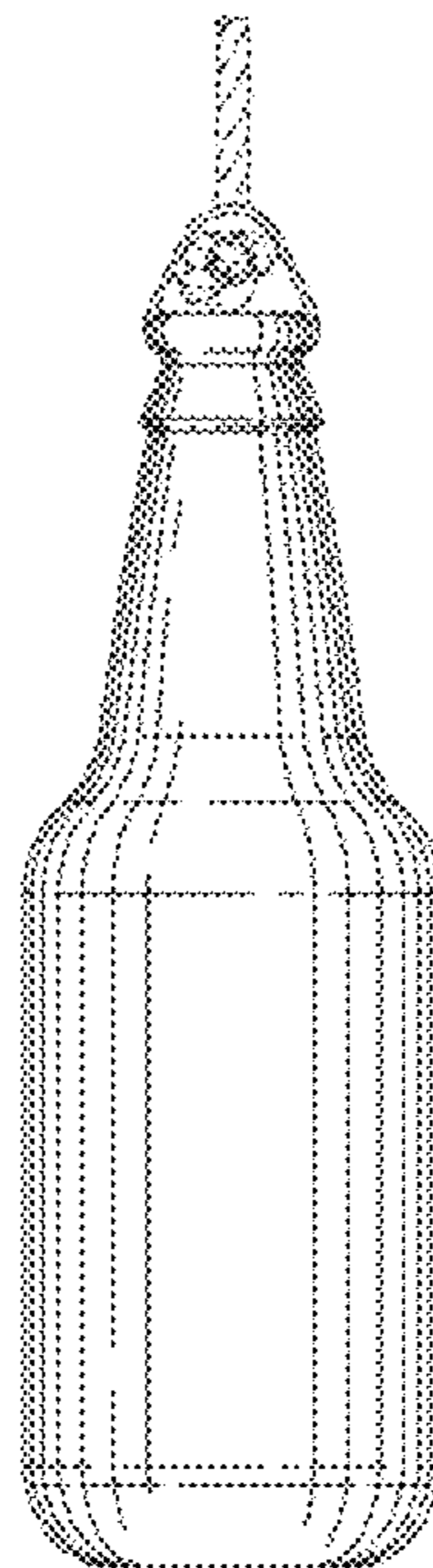
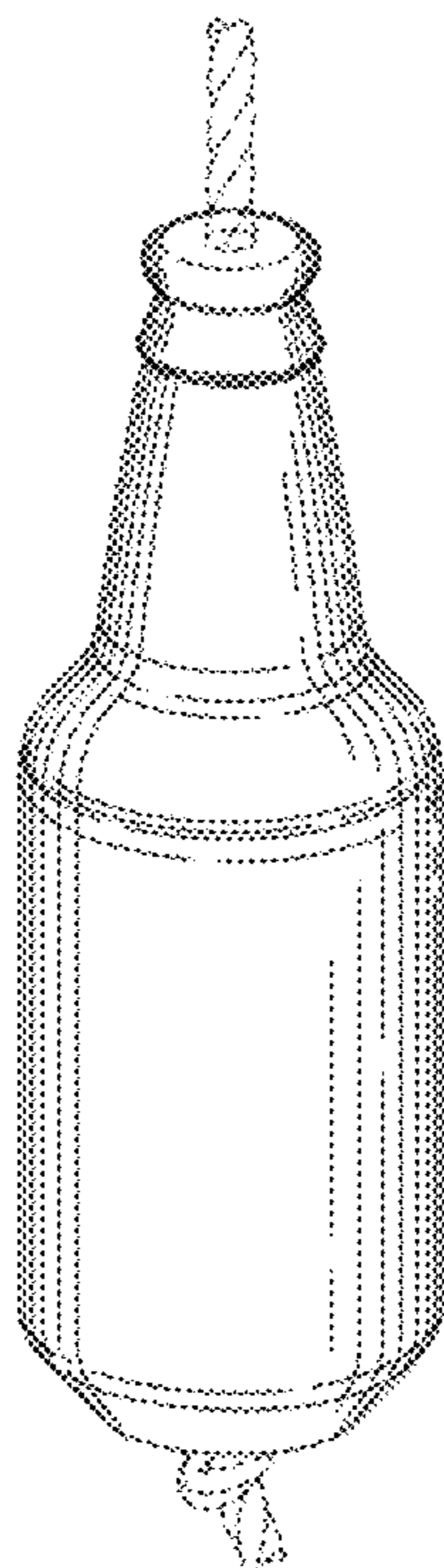
FIG. 7 is a front elevational view of FIG. 5;

FIG. 8 is a top plan view of FIG. 5; and,

FIG. 9 is a bottom plan view thereof.

The broken line showing of the aperture in the views and the broken lines in the FIG. 9 view define the boundaries of the claimed design. The broken line depiction of the rope in the figures is illustrated for environmental purposes only and forms no part of the claimed design.

1 Claim, 5 Drawing Sheets



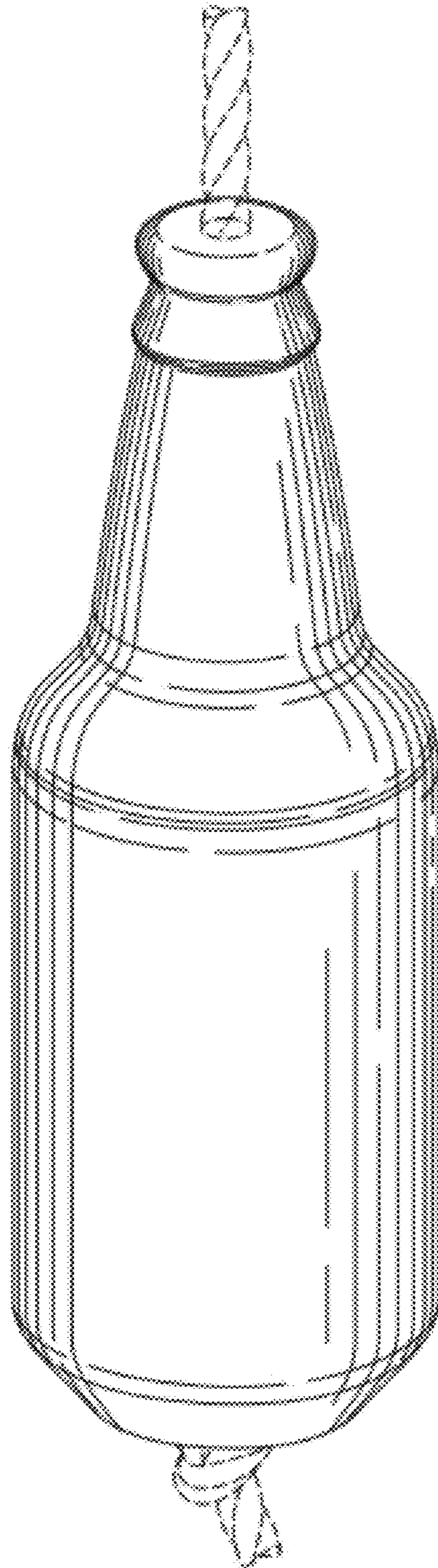


Fig. 1

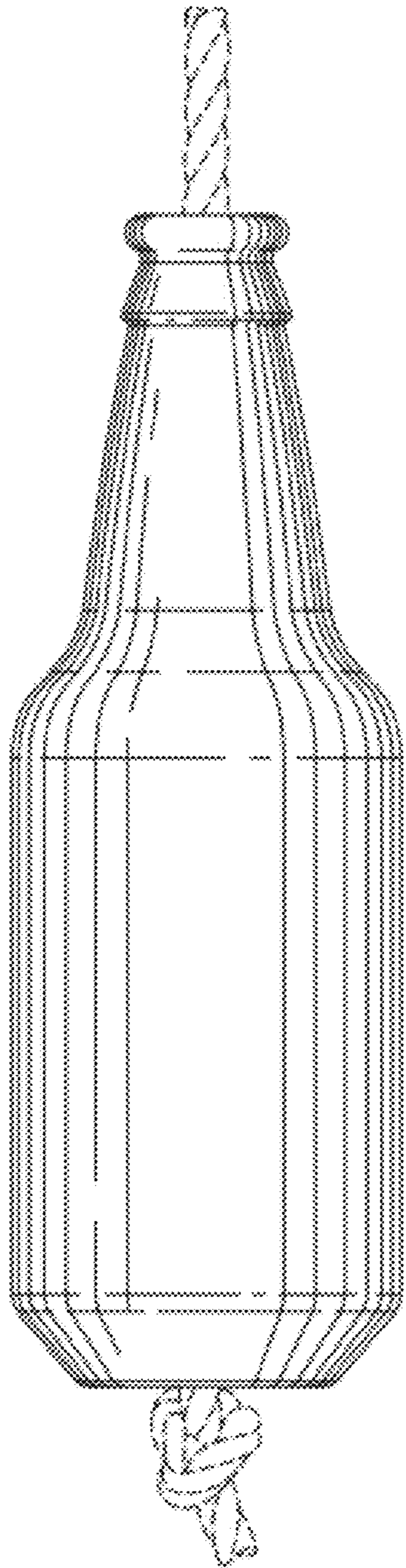


Fig. 2

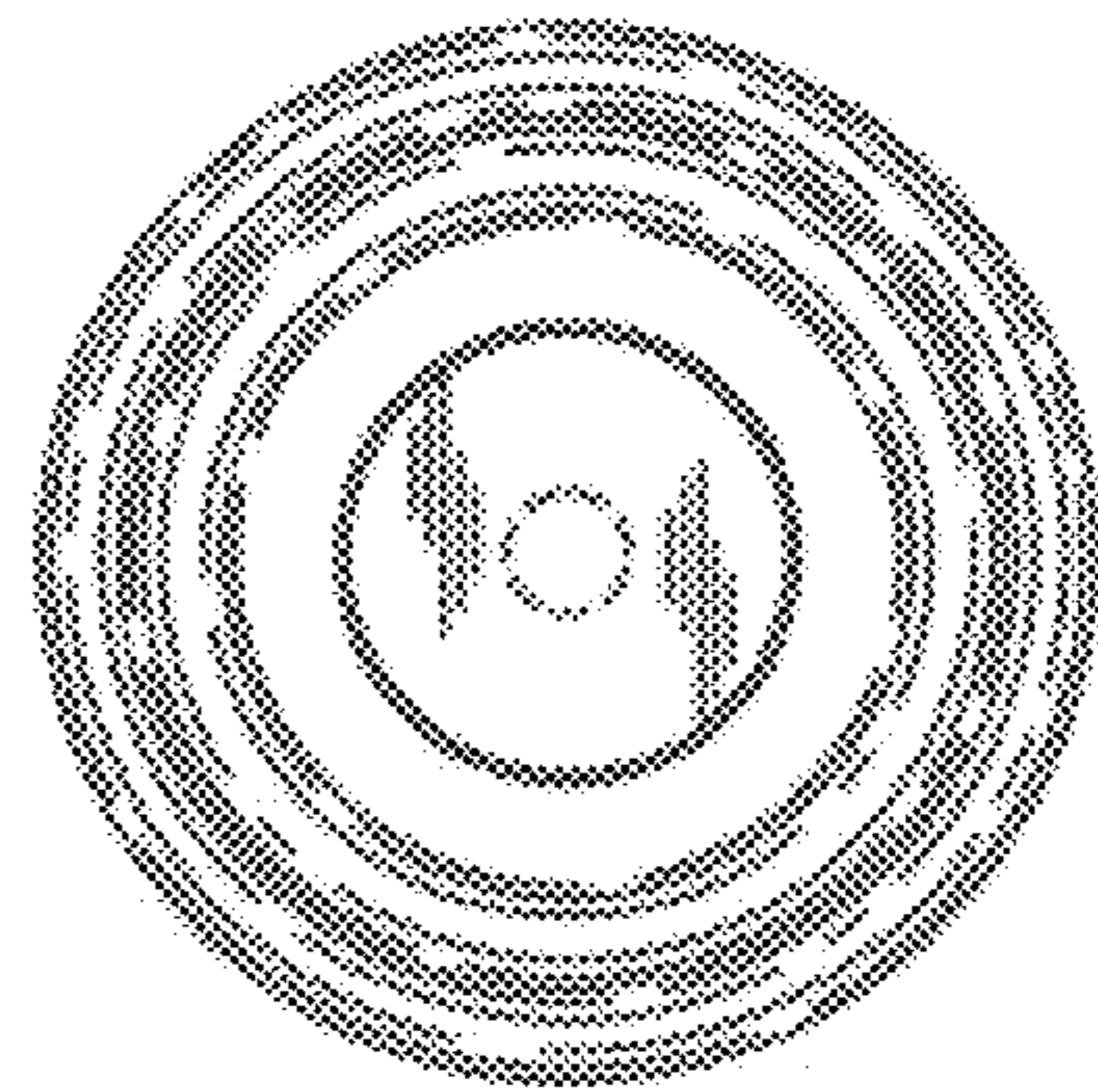


Fig. 3

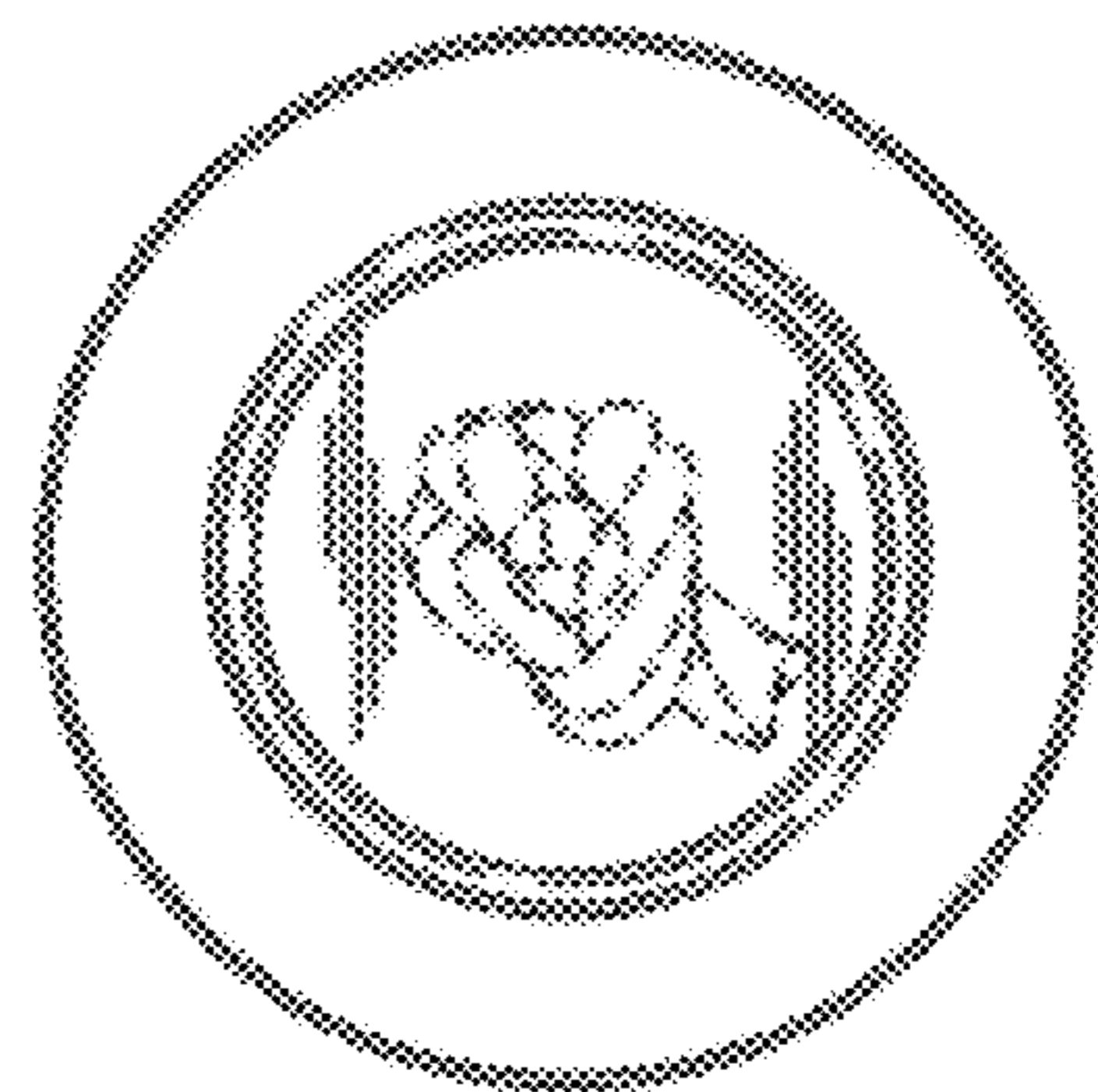


Fig. 4

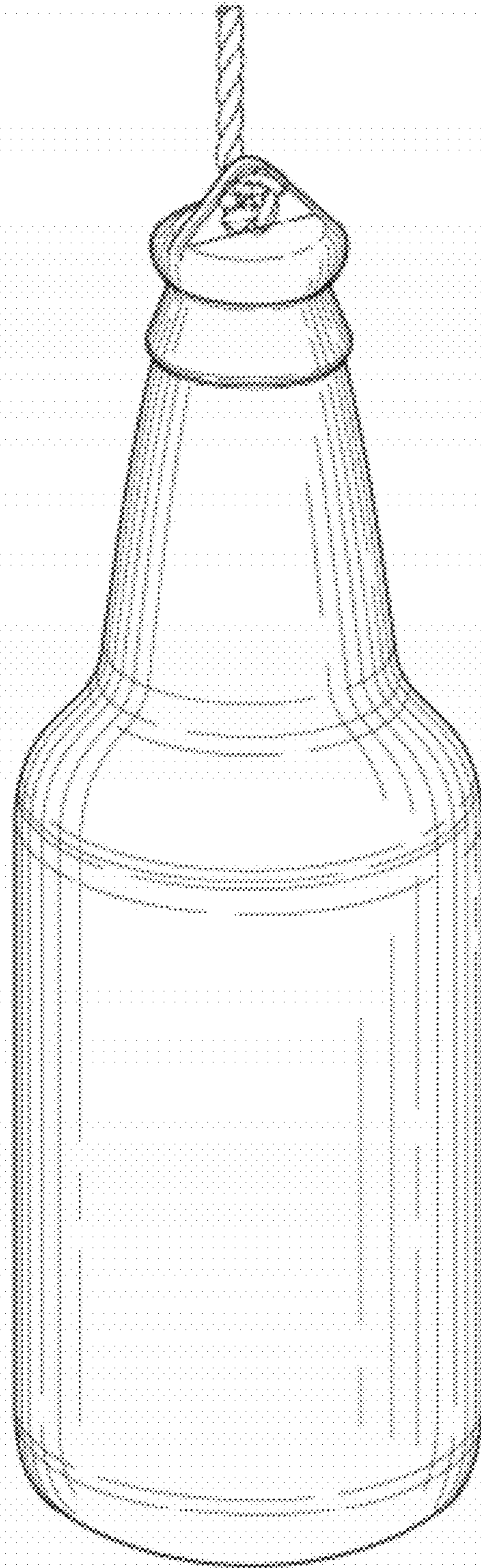


Fig. 5

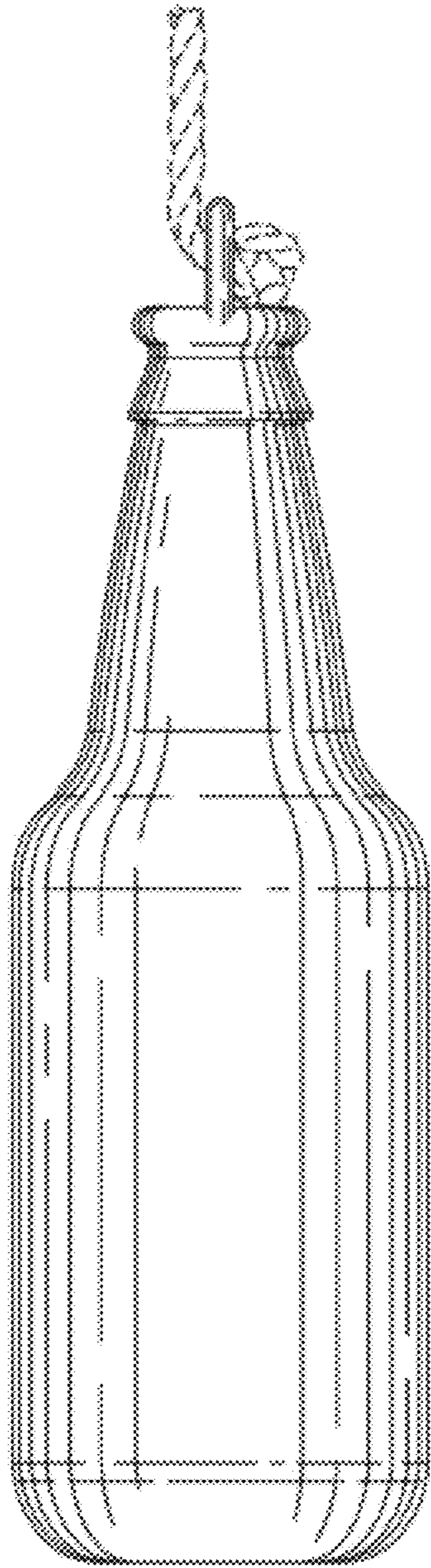


Fig. 6

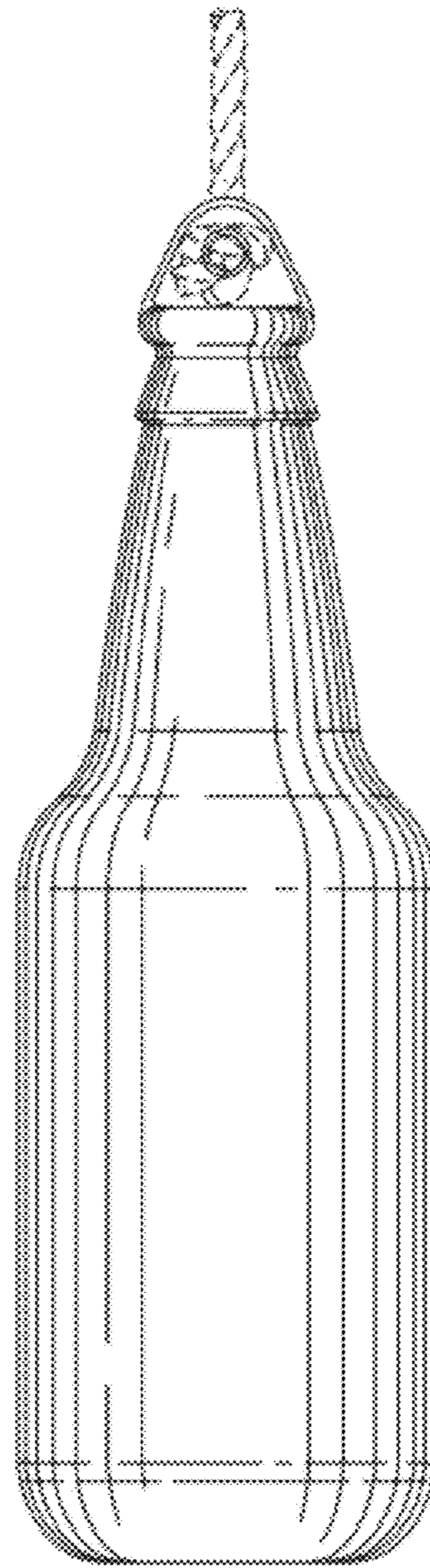


Fig. 7

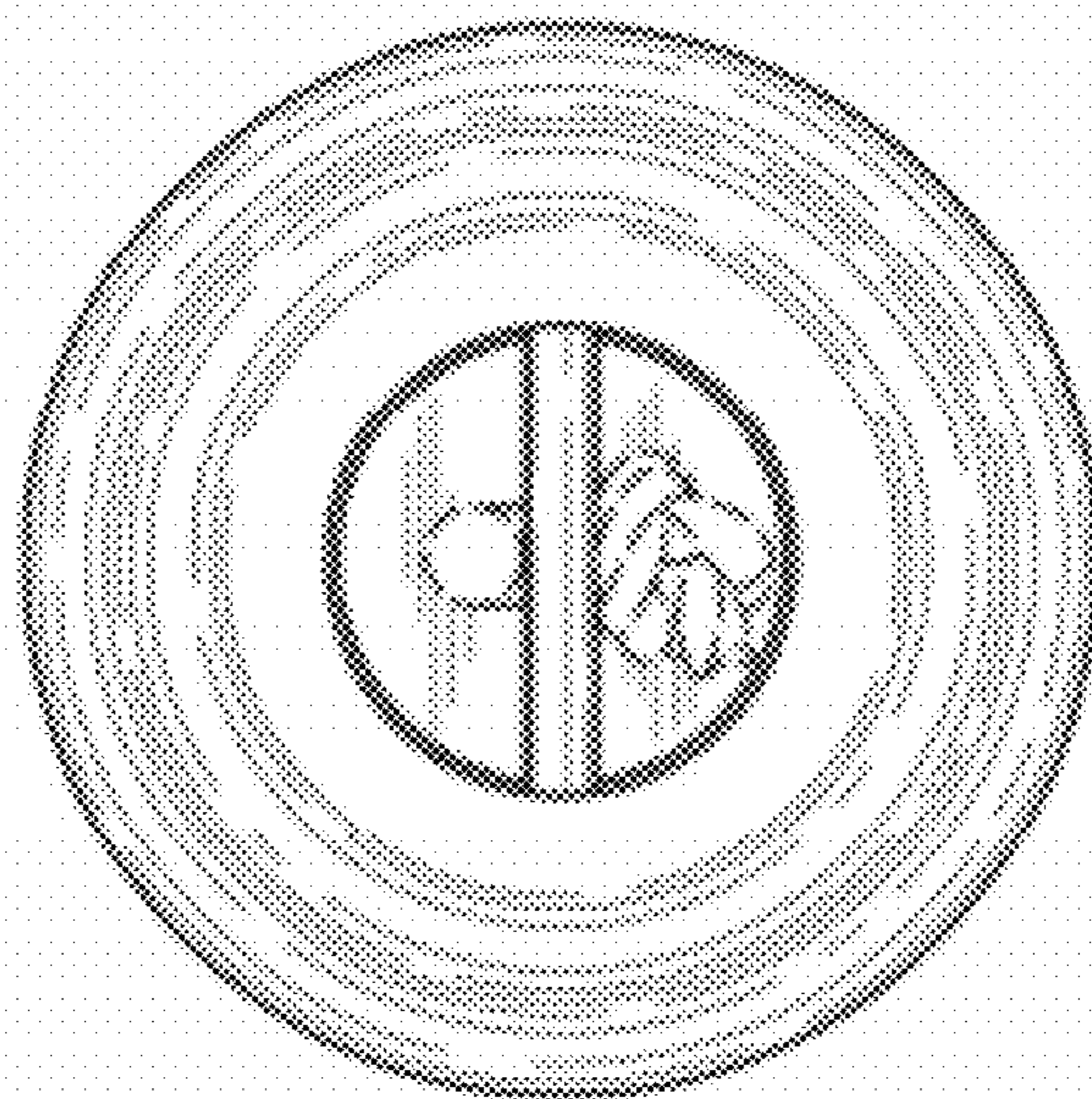


Fig. 8

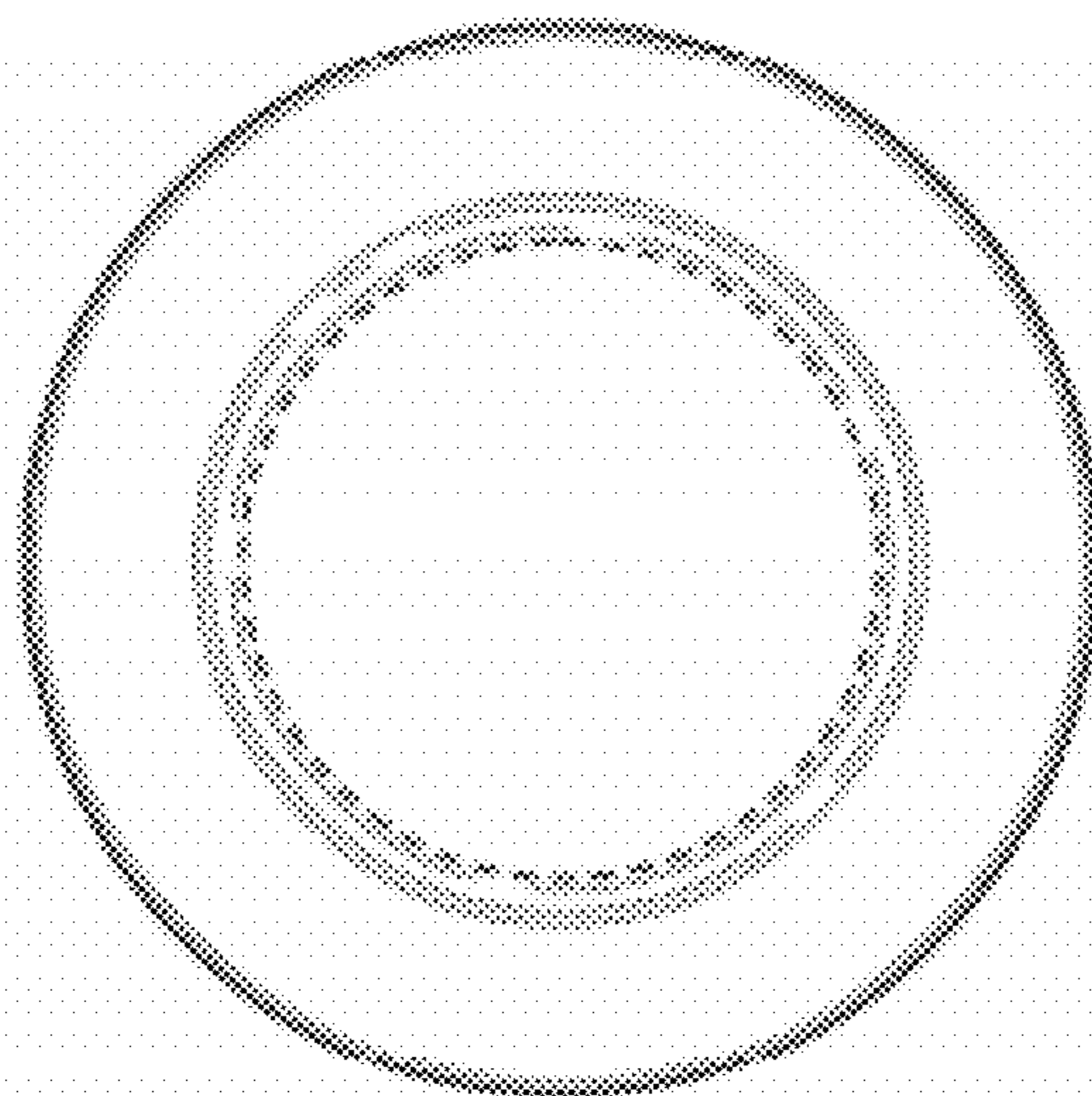


Fig. 9