



US00D671042S

(12) **United States Design Patent**
Frei et al.

(10) **Patent No.:** **US D671,042 S**
(45) **Date of Patent:** **** Nov. 20, 2012**

(54) **REAR PORTION OF A VEHICLE, TOY,
AND/OR REPLICAS THEREOF**

Primary Examiner — Melody N Brown
(74) *Attorney, Agent, or Firm* — Crowell & Moring LLP

(75) Inventors: **Michael Frei**, Sindelfingen (DE); **Klaus Frenzel**, Winnenden (DE); **Hans-Dieter Futschik**, Gechingen (DE); **Hubert Lee**, Irvine, CA (US); **Robert Lesnik**, Leonberg (DE); **Gorden Wagener**, Stuttgart (DE)

(57) **CLAIM**
The ornamental design for a rear portion of a vehicle, toy, and/or replicas thereof, as shown and described.

(73) Assignee: **Daimler AG**, Stuttgart (DE)

DESCRIPTION

(**) Term: **14 Years**

This application contains subject matter related to the following co-pending U.S. design patent applications:
Application Ser. No. 29/371,036, filed herewith and entitled "Vehicle, Toy, and/or Replicas Thereof";
Application Ser. No. 29/371,037, filed herewith and entitled "Rear Portion of a Vehicle, Toy, and/or Replicas Thereof";
Application Ser. No. 29/371,038, filed herewith and entitled "Vehicle, Toy, and/or Replicas Thereof";
Application Ser. No. 29/371,034, filed herewith and entitled "Rear Portion of a Vehicle, Toy, and/or Replicas Thereof";
Application Ser. No. 29/311,619, filed May 1, 2009; and
Application Ser. No. 29/311,620, filed May 1, 2009.

(21) Appl. No.: **29/371,035**

(22) Filed: **Sep. 23, 2010**

(30) **Foreign Application Priority Data**

Mar. 24, 2010 (EM) 001203905-0003

(51) **LOC (9) Cl.** **12-16**

(52) **U.S. Cl.** **D12/164**

(58) **Field of Classification Search** D12/164,
D12/196, 90-92, 86; D21/424, 433, 434;
296/181.1, 181.5

See application file for complete search history.

FIG. 1 is a front view of a rear portion of a vehicle, toy, and/or replicas thereof according to our design;
FIG. 2 is a left perspective view thereof, the right perspective view being mirror symmetrical;
FIG. 3 is a left side view thereof;
FIG. 4 is a right side view thereof; and,
FIG. 5 is a top view thereof.

(56) **References Cited**

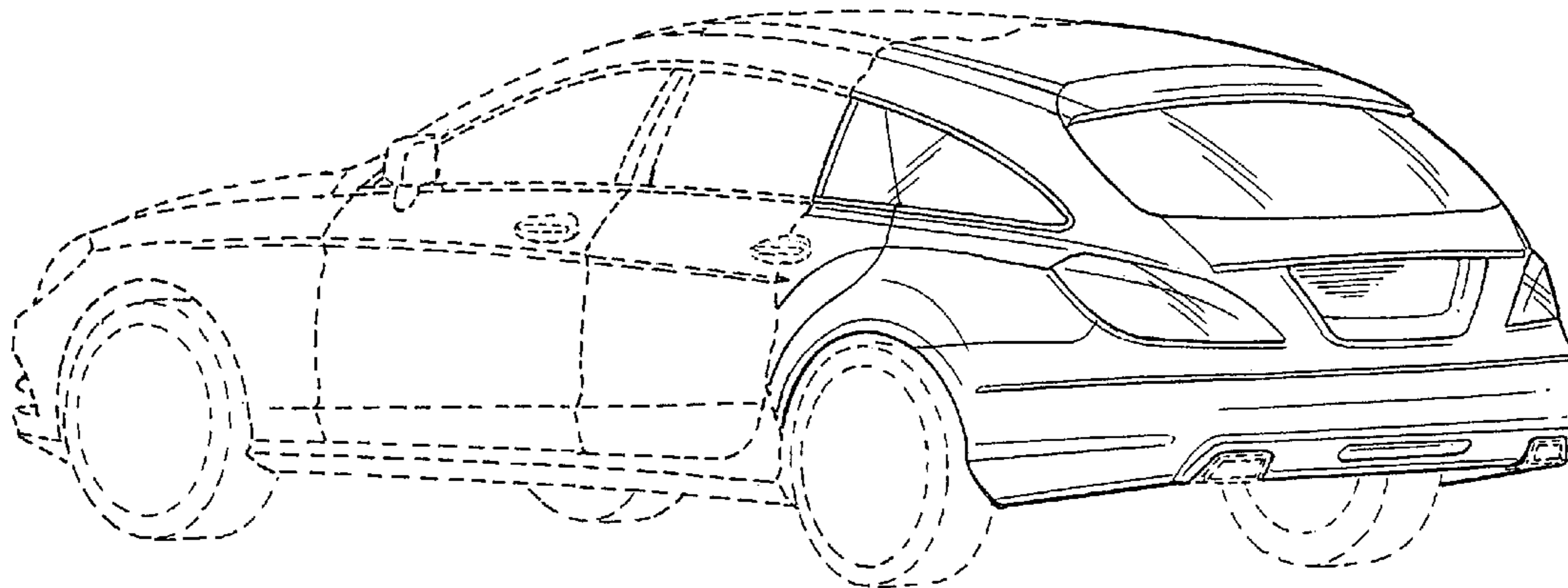
U.S. PATENT DOCUMENTS

D499,358 S 12/2004 Pfeiffer et al.
D617,682 S * 6/2010 Frei et al. D12/91
D633,418 S * 3/2011 Frei et al. D12/164
D634,677 S * 3/2011 Futschik et al. D12/164

The broken lines are for illustrative purposes only and form no part of the claimed design.

* cited by examiner

1 Claim, 4 Drawing Sheets



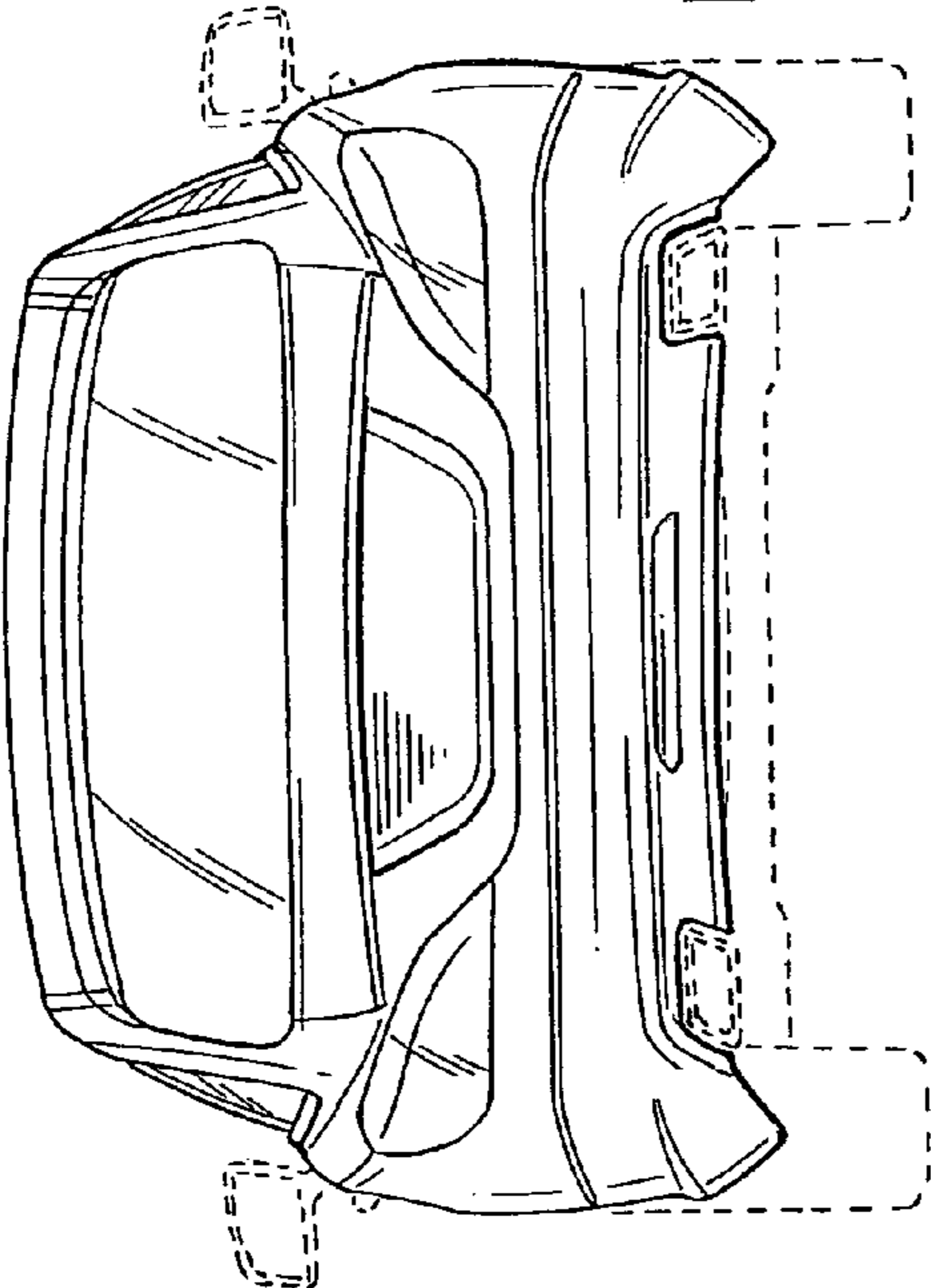


FIG. 1

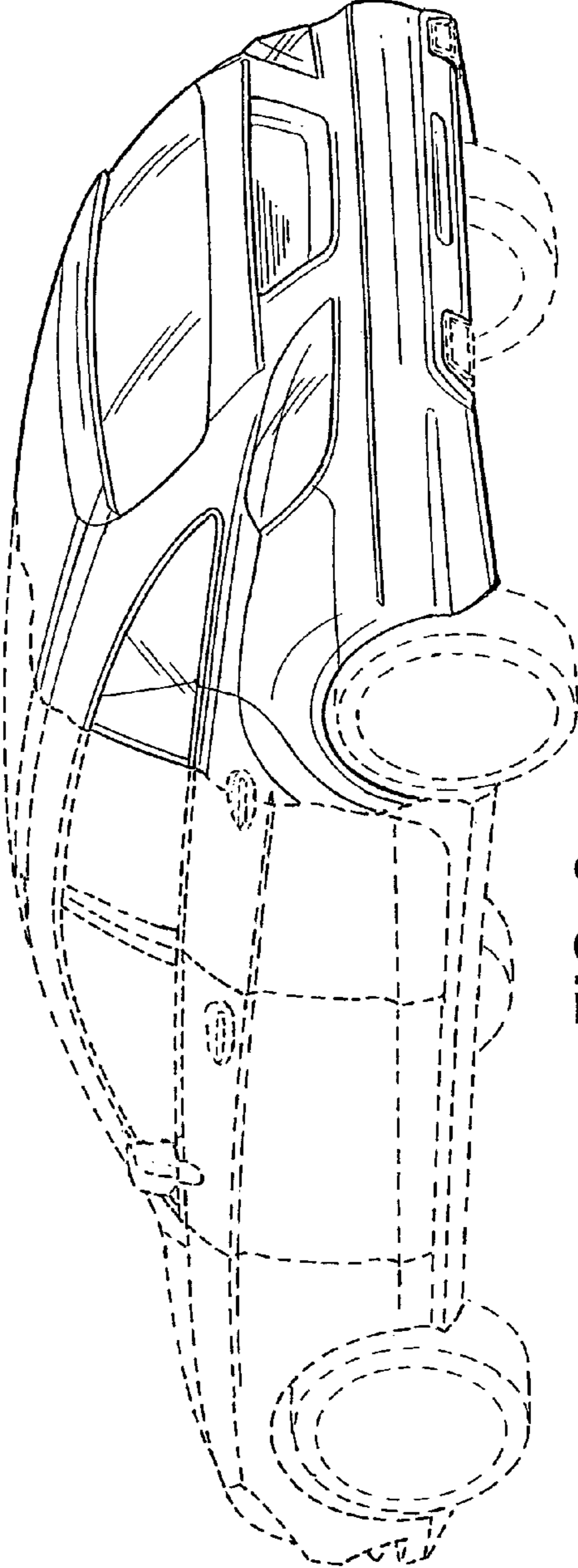


FIG. 2

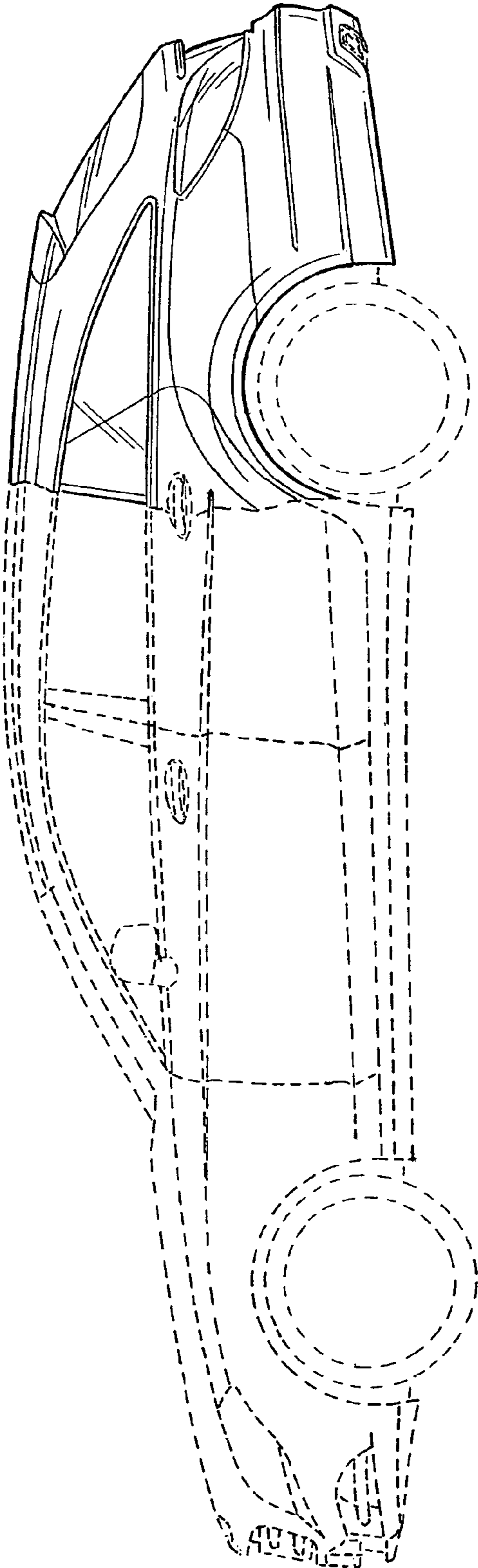


FIG. 3

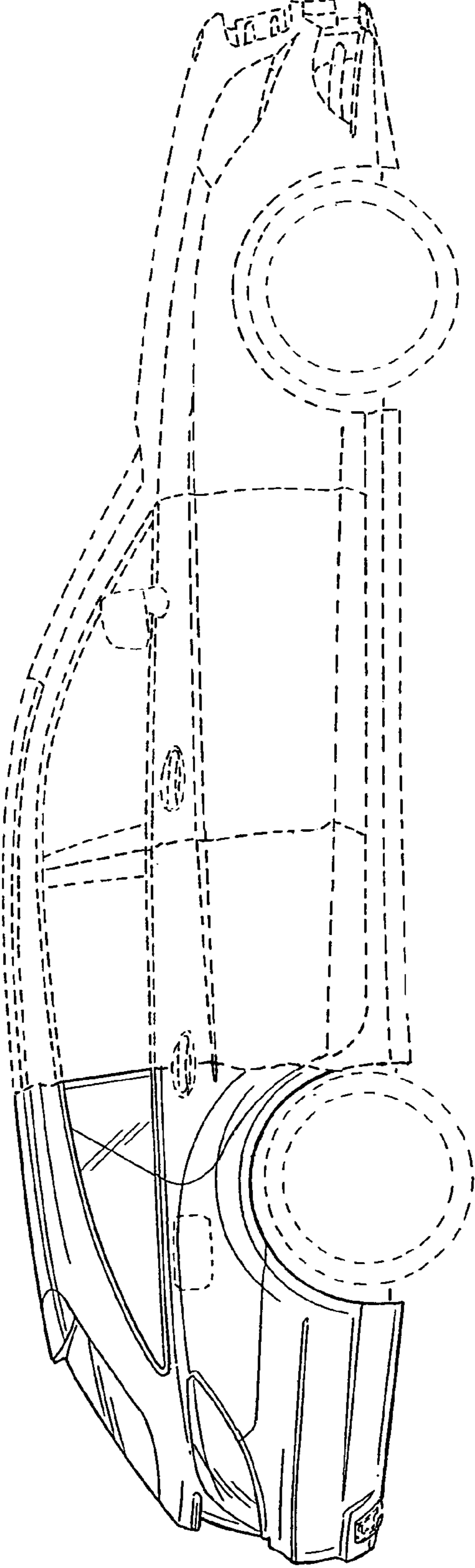


FIG. 4

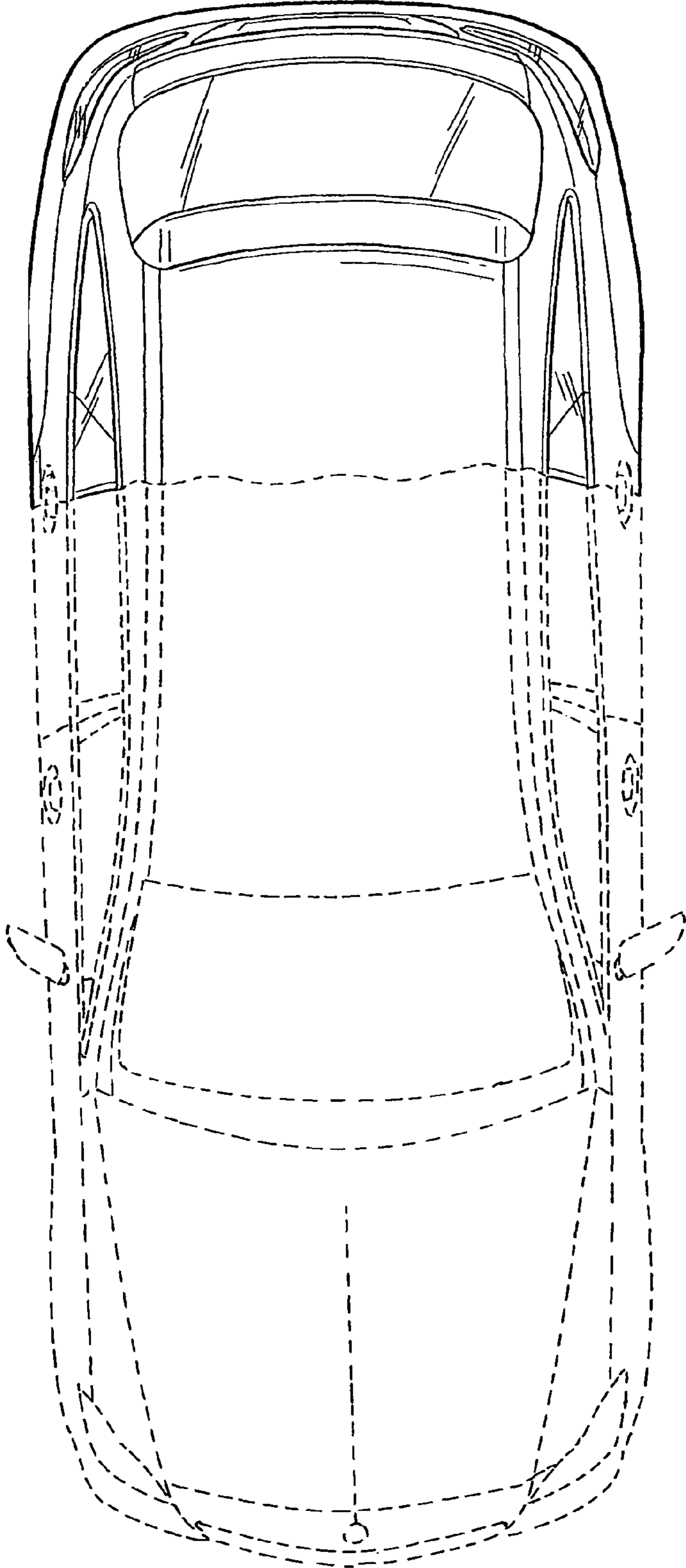


FIG. 5