



US00D671040S

(12) **United States Design Patent**
Lin

(10) **Patent No.:** **US D671,040 S**
(45) **Date of Patent:** **** Nov. 20, 2012**

(54) **BABY STROLLER**

(75) Inventor: **Ken Lin**, Taicang (CN)

(73) Assignee: **Suzhou Essens Juvenile Products Inc.**,
Taipei, Jiangsu Province (CN)

(**) Term: **14 Years**

(21) Appl. No.: **29/371,638**

(22) Filed: **Jun. 20, 2011**

(51) **LOC (9) Cl.** **12-12**

(52) **U.S. Cl.** **D12/129**

(58) **Field of Classification Search** D12/128-133;
280/62, 647-650, 29, 200, 47.38, 250.1,
280/259, 642, 658, 304.1; 128/99.1, 100.1
See application file for complete search history.

(56) **References Cited**

U.S. PATENT DOCUMENTS

D451,434 S *	12/2001	Hsia	D12/129
D486,430 S *	2/2004	Chang	D12/129
D519,421 S *	4/2006	Huang	D12/129
D519,422 S *	4/2006	Huang	D12/129
7,267,359 B1 *	9/2007	Yang et al.	280/642

D566,013 S *	4/2008	Wang	D12/129
7,364,171 B2 *	4/2008	Hu	280/47.38
D571,263 S *	6/2008	Lai	D12/129
D578,045 S *	10/2008	Liao	D12/129
D578,936 S *	10/2008	Chen	D12/129
D621,306 S *	8/2010	Liao	D12/129
D654,406 S *	2/2012	Henry	D12/129
D661,624 S *	6/2012	Stopp	D12/129

* cited by examiner

Primary Examiner — Ian Simmons

Assistant Examiner — Charles Hanson

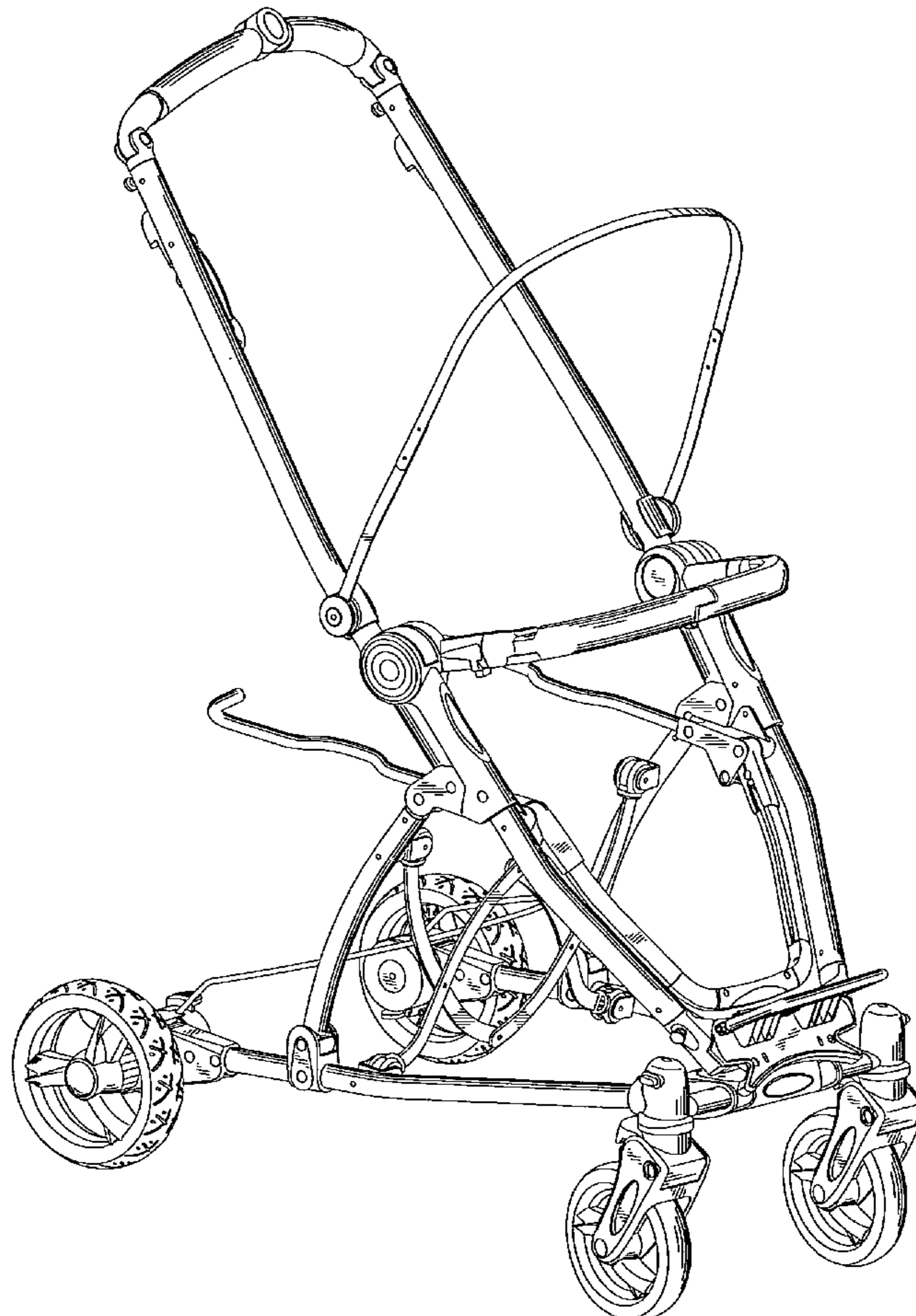
(57) **CLAIM**

The ornamental design for a baby stroller, as shown and described.

DESCRIPTION

FIG. 1 is a perspective view of a baby stroller;
FIG. 2 is a front view thereof;
FIG. 3 is a back view thereof;
FIG. 4 is a left view thereof;
FIG. 5 is a right view thereof;
FIG. 6 is a top view thereof; and,
FIG. 7 is a bottom view thereof.

1 Claim, 7 Drawing Sheets



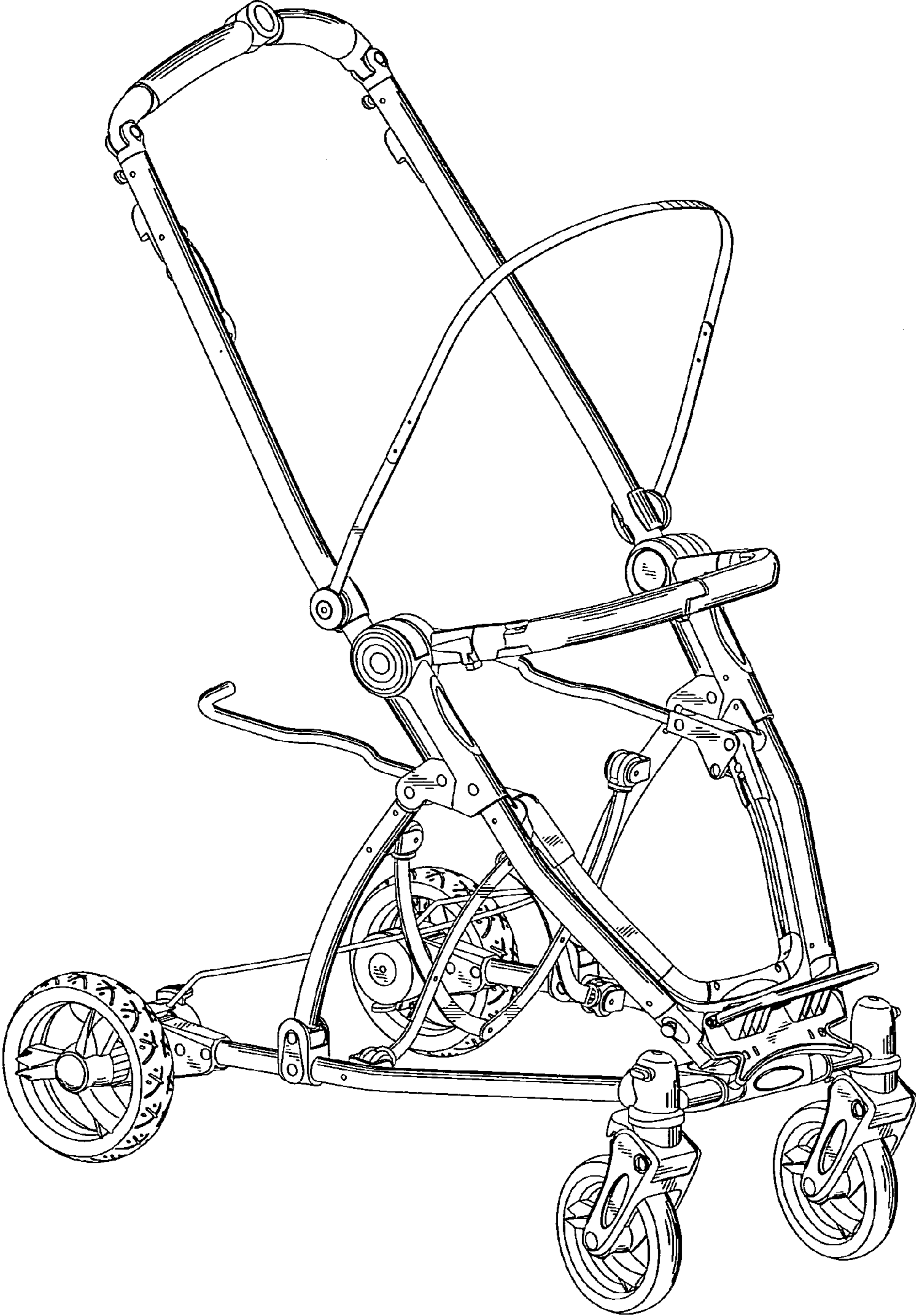


FIG. 1

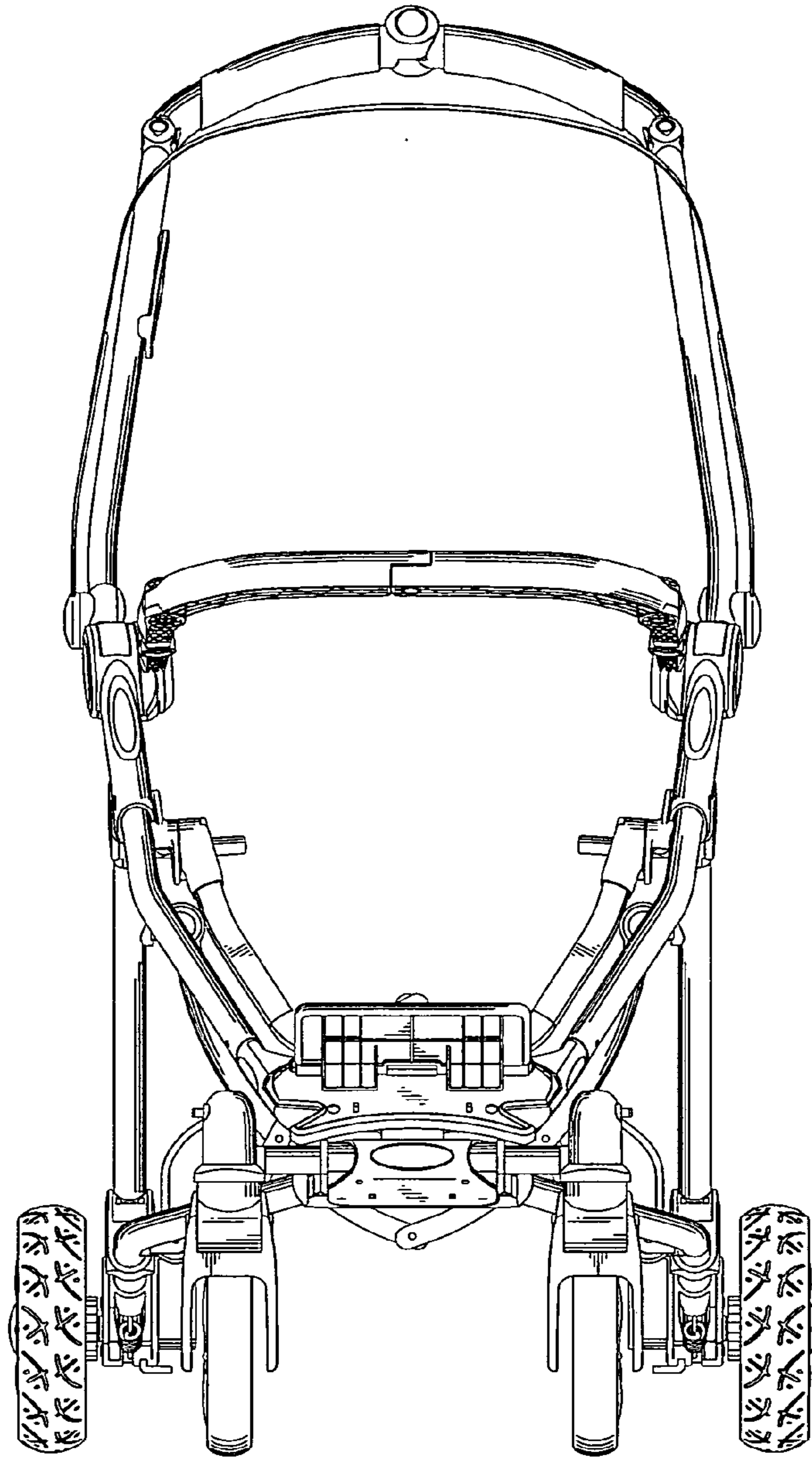


FIG.2

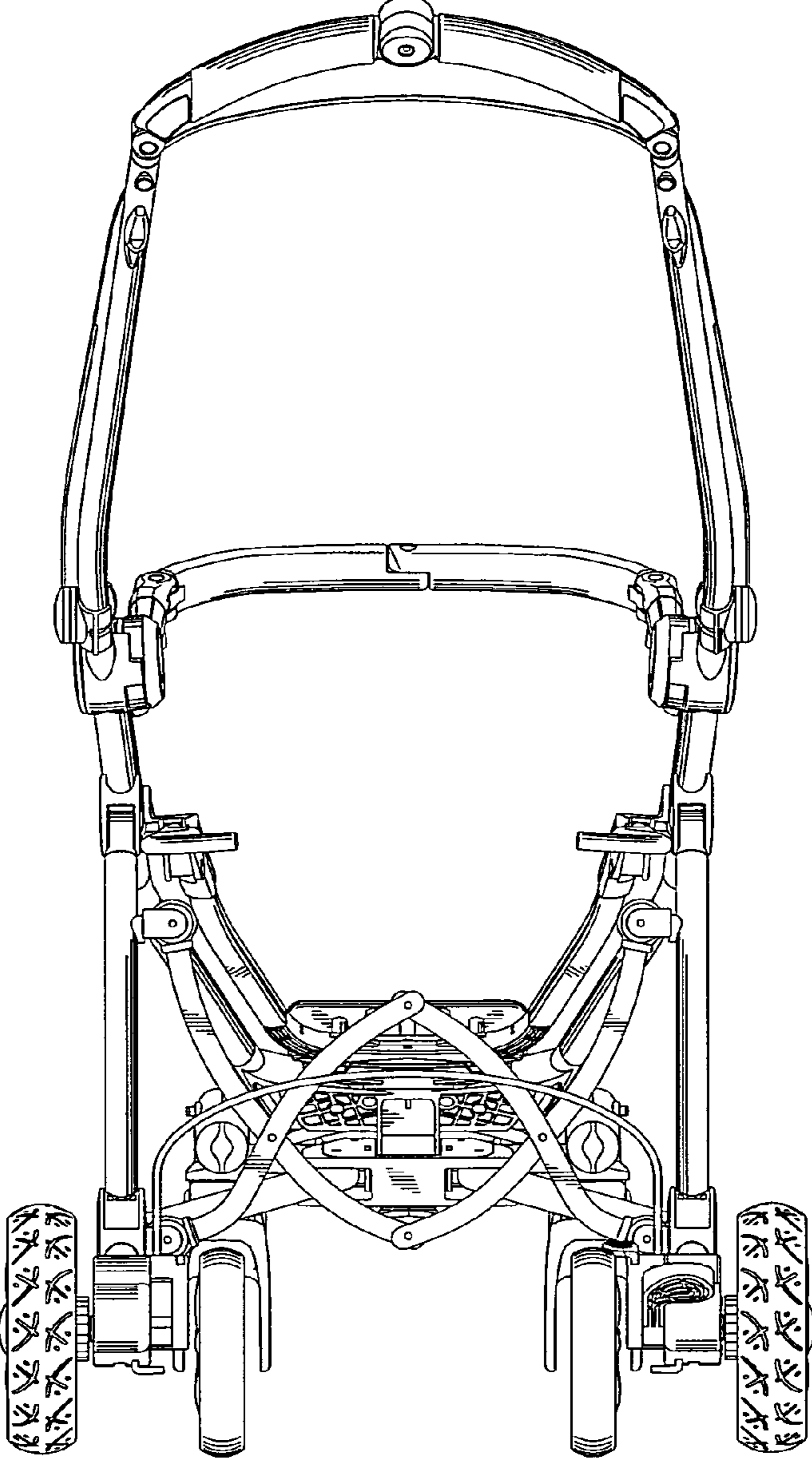


FIG.3

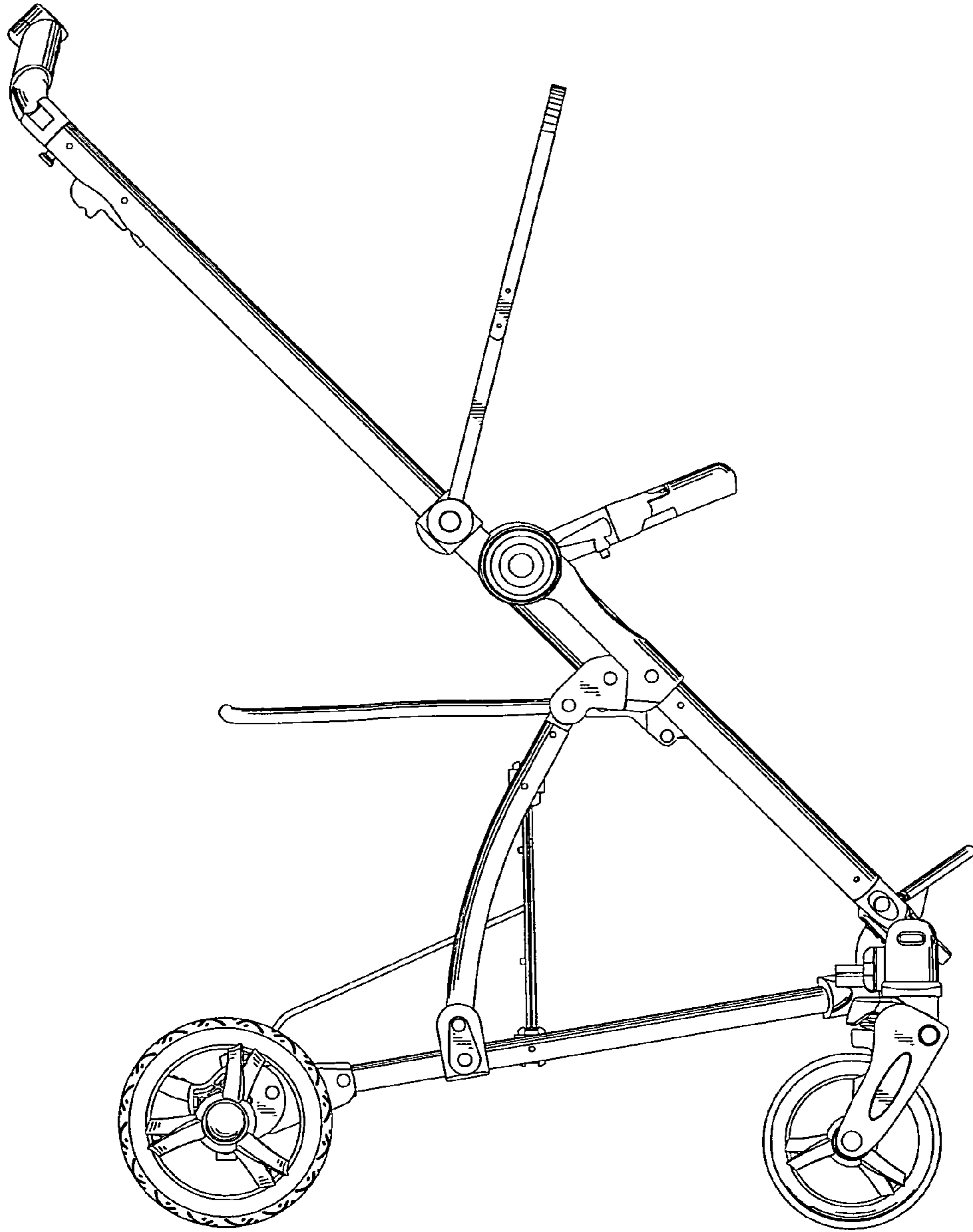


FIG.4

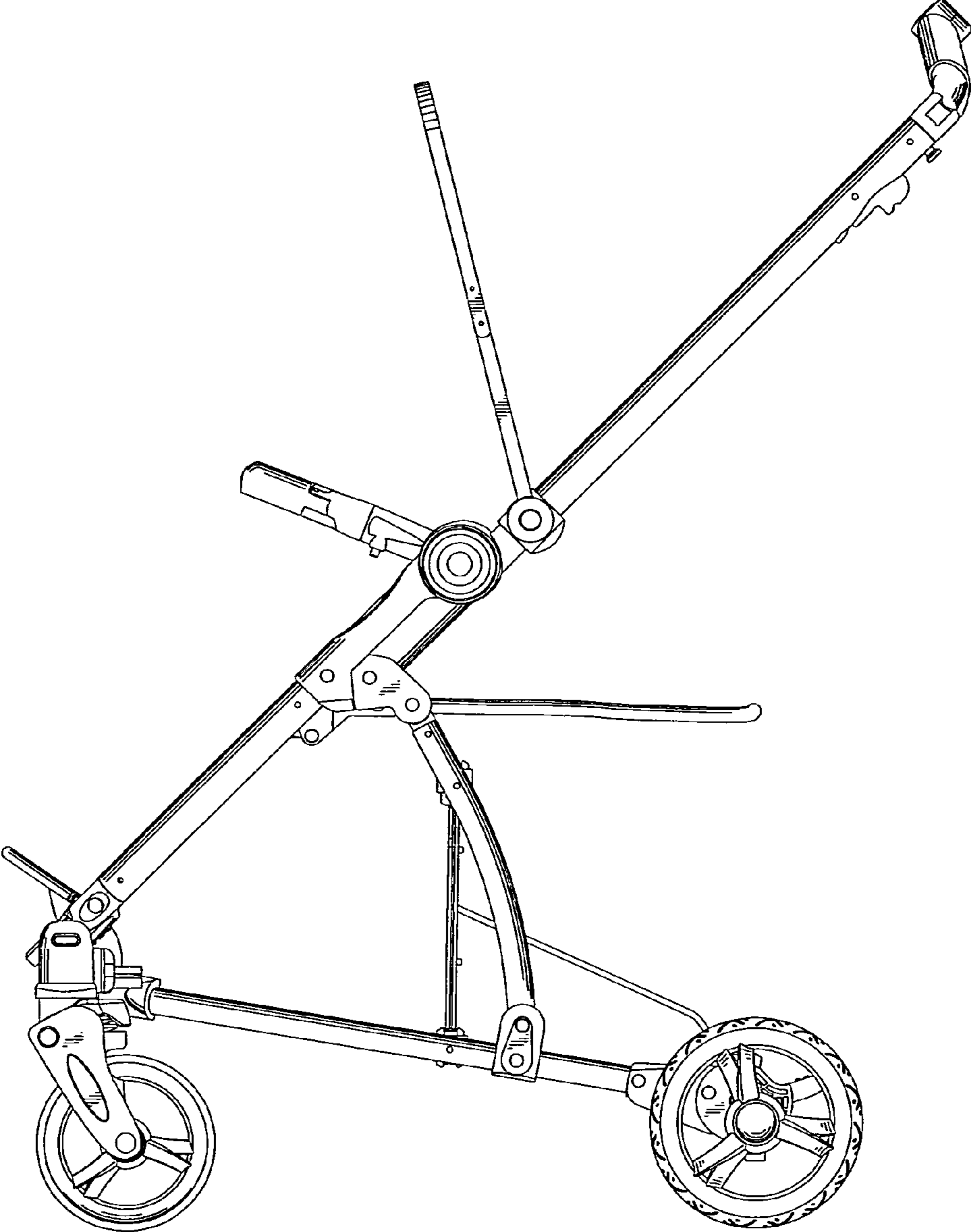


FIG.5

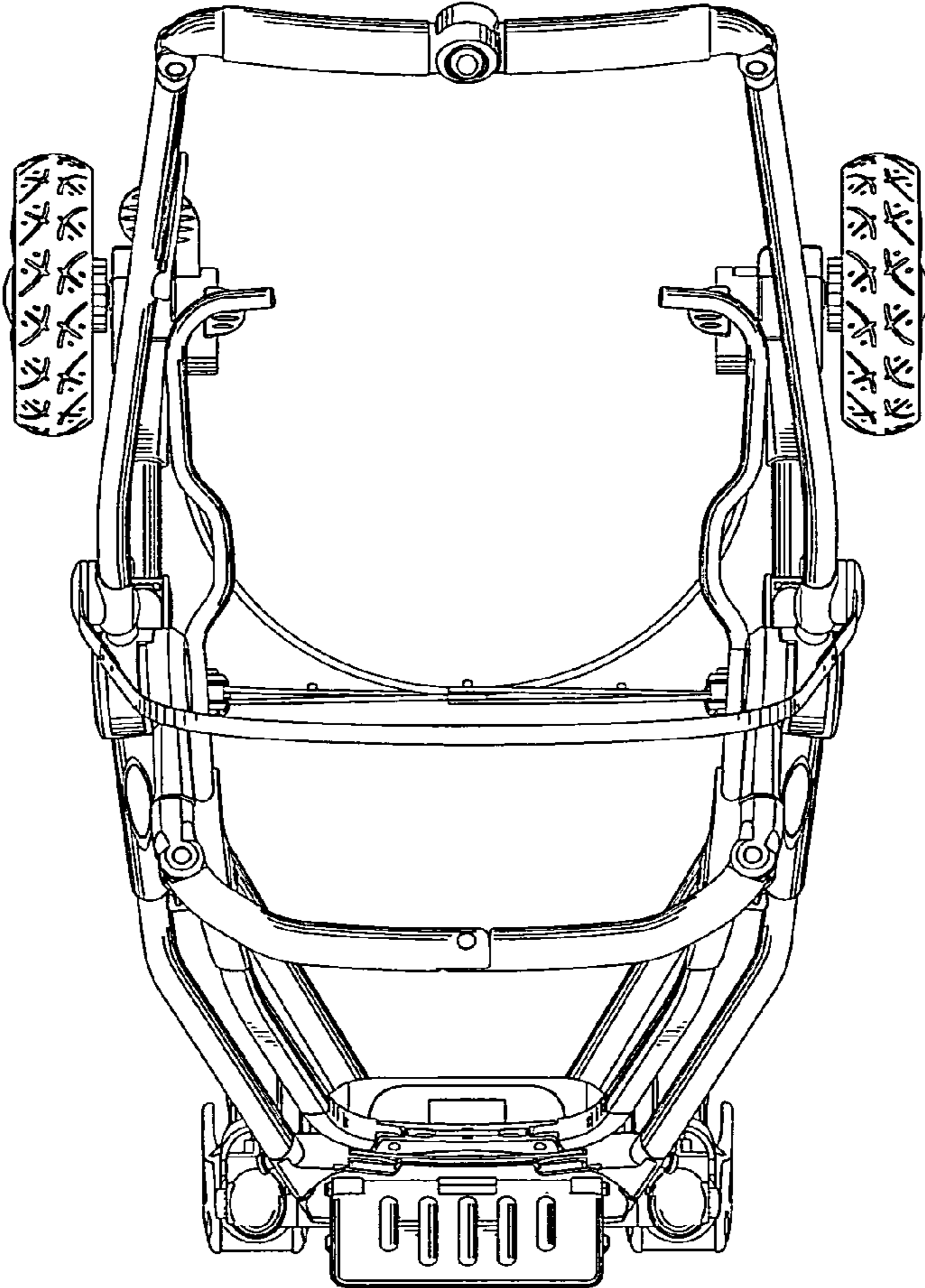


FIG.6

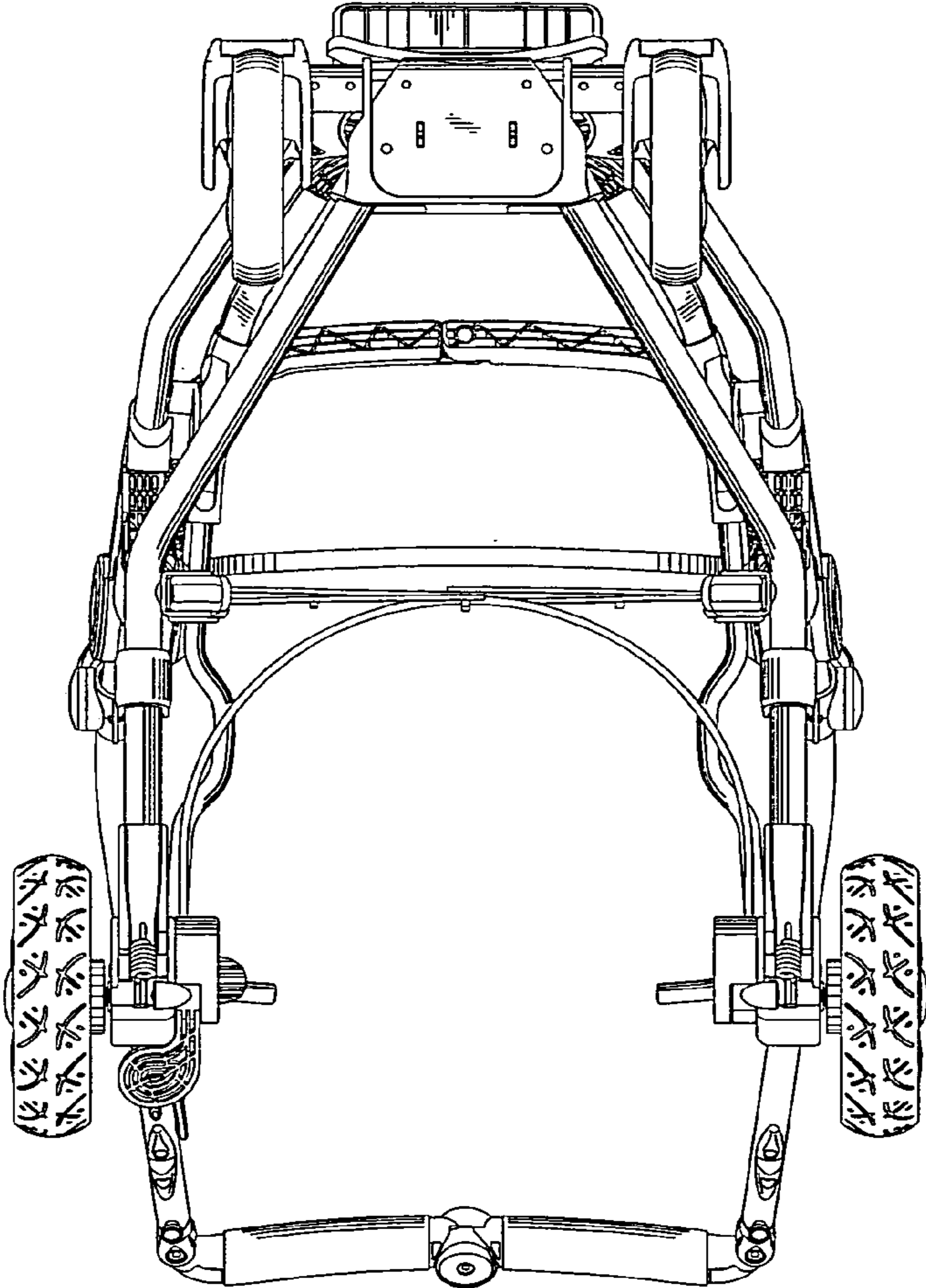


FIG. 7