



US00D671039S

(12) **United States Design Patent**
Deng

(10) **Patent No.:** **US D671,039 S**

(45) **Date of Patent:** **** Nov. 20, 2012**

(54) **UPPER FOOT COUPLING DEVICE FOR A BICYCLE PEDAL**

(76) Inventor: **Xiao-Ming Deng**, Flushing, NY (US)

(**) Term: **14 Years**

(21) Appl. No.: **29/414,187**

(22) Filed: **Feb. 25, 2012**

Related U.S. Application Data

(63) Continuation-in-part of application No. 13/204,640, filed on Aug. 5, 2011.

(51) **LOC (9) Cl.** **12-11**

(52) **U.S. Cl.** **D12/125**

(58) **Field of Classification Search** D12/125, D12/84, 181, 186, 190, 191, 196, 400, 111, D12/223; D8/300, 306, 307, 382, 387, 394; 74/594.1-594.7; 280/265, 294; 36/131
See application file for complete search history.

(56) **References Cited**

U.S. PATENT DOCUMENTS

493,696	A	3/1893	Ferguson	
605,536	A	6/1898	Brice	
D286,993	S *	12/1986	Kotamaki	D12/125
D286,996	S *	12/1986	Hartmann et al.	D12/125
4,809,563	A *	3/1989	Loppnow	74/594.6
D302,259	S *	7/1989	Konzorr et al.	D12/125
5,456,138	A	10/1995	Nutile	
7,938,040	B2 *	5/2011	Deng	74/594.6

* cited by examiner

Primary Examiner — Susan M Lee
Assistant Examiner — Linda G. Brooks

(57) **CLAIM**

The ornamental design for an upper foot coupling device for a bicycle pedal, as shown and described.

DESCRIPTION

FIG. 1 is a right side and back side perspective view of the upper foot coupling device, of the upper foot coupling device for a bicycle pedal, showing my new design in use;

FIG. 2 is a left side and back side perspective view of another embodiment of the upper foot coupling device, of the upper foot coupling device for a bicycle pedal, showing a left-foot version thereof;

FIG. 3 is a left side and back side perspective view of FIG. 1; FIG. 4 is a right side and back side perspective view of FIG. 2;

FIG. 5 is a back side view of FIG. 2;

FIG. 6 is a back side view of FIG. 1;

FIG. 7 is a front side view of FIG. 1;

FIG. 8 is a front side view of FIG. 2;

FIG. 9 is a left side view of FIG. 2;

FIG. 10 is a right side view of FIG. 1;

FIG. 11 is a right side view of FIG. 2;

FIG. 12 is a left side view of FIG. 1;

FIG. 13 is a top view of FIG. 2;

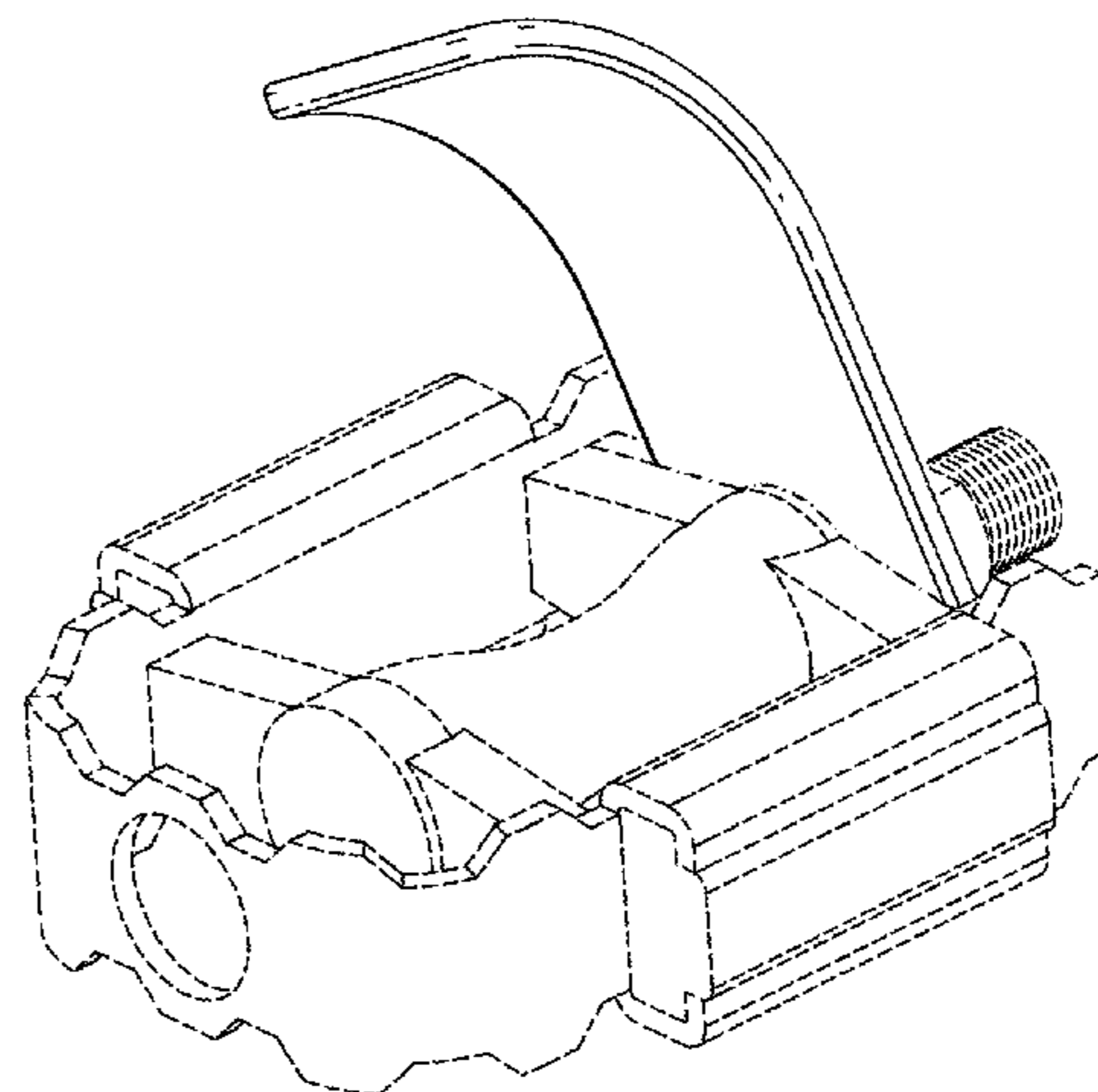
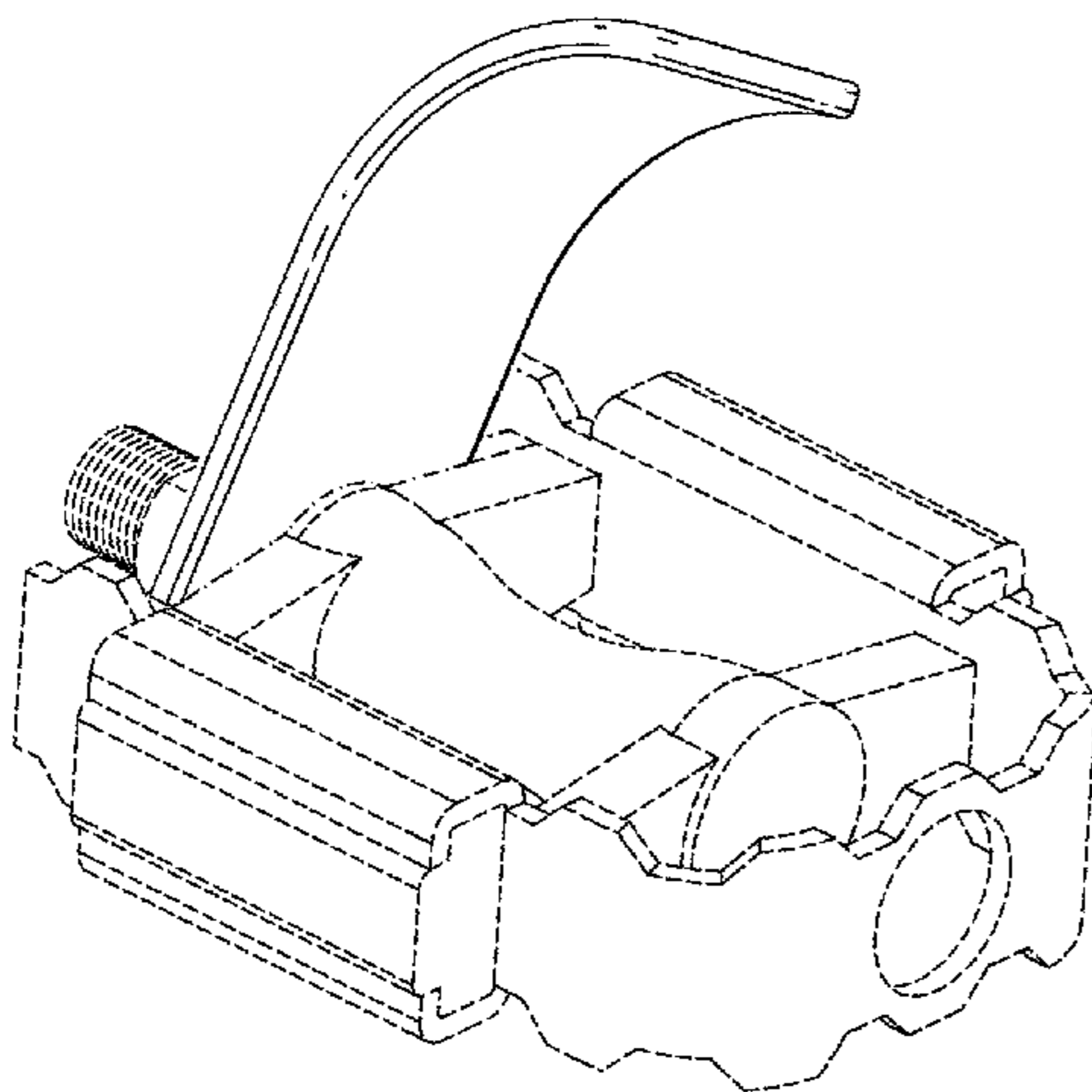
FIG. 14 is a top view of FIG. 1;

FIG. 15 is a bottom view of FIG. 2; and,

FIG. 16 is a bottom view of FIG. 1.

The portions of the figures illustrated in broken lines are for environmental purposes only and form no part of the claimed design.

1 Claim, 5 Drawing Sheets



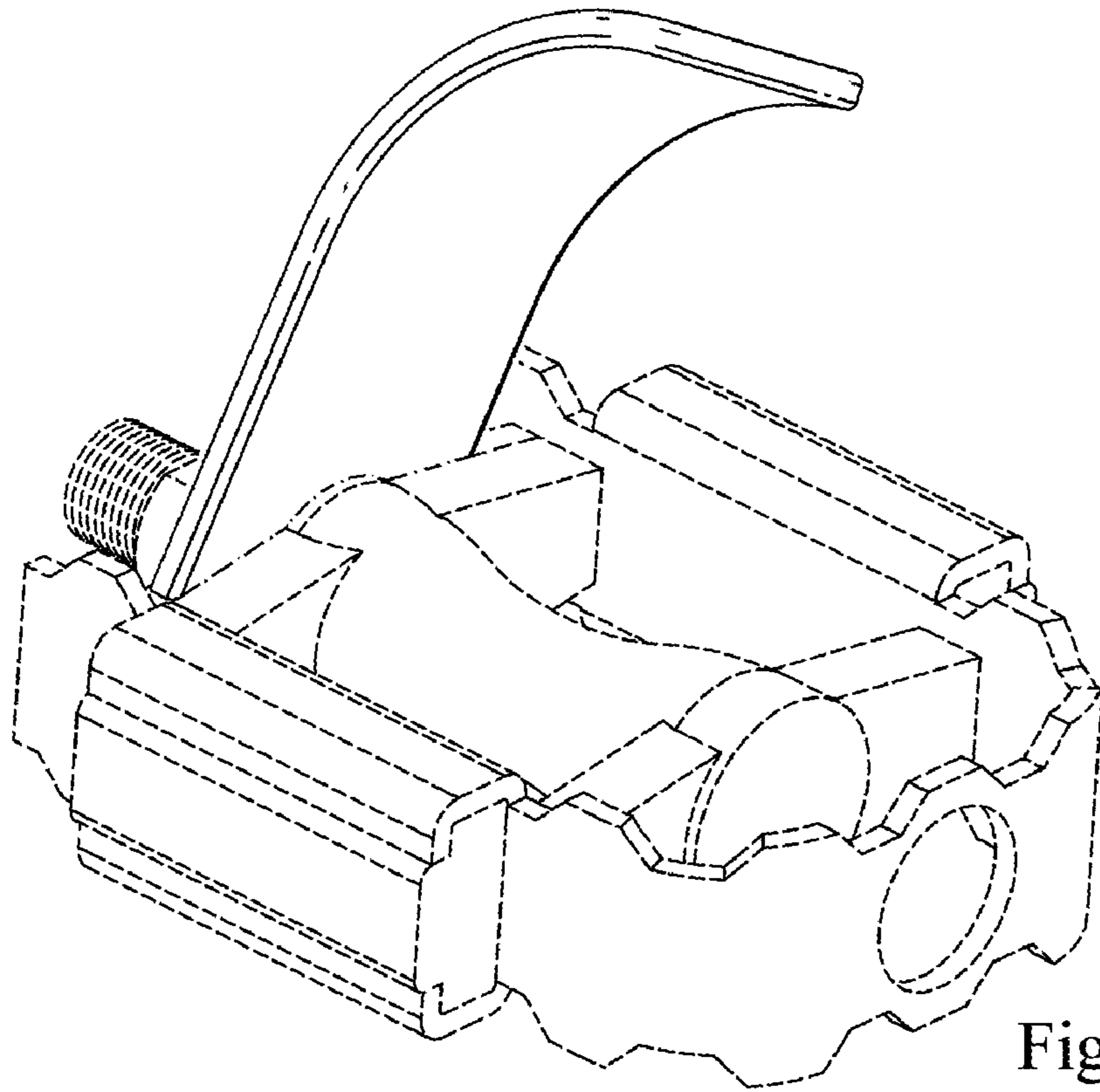


Fig. 1

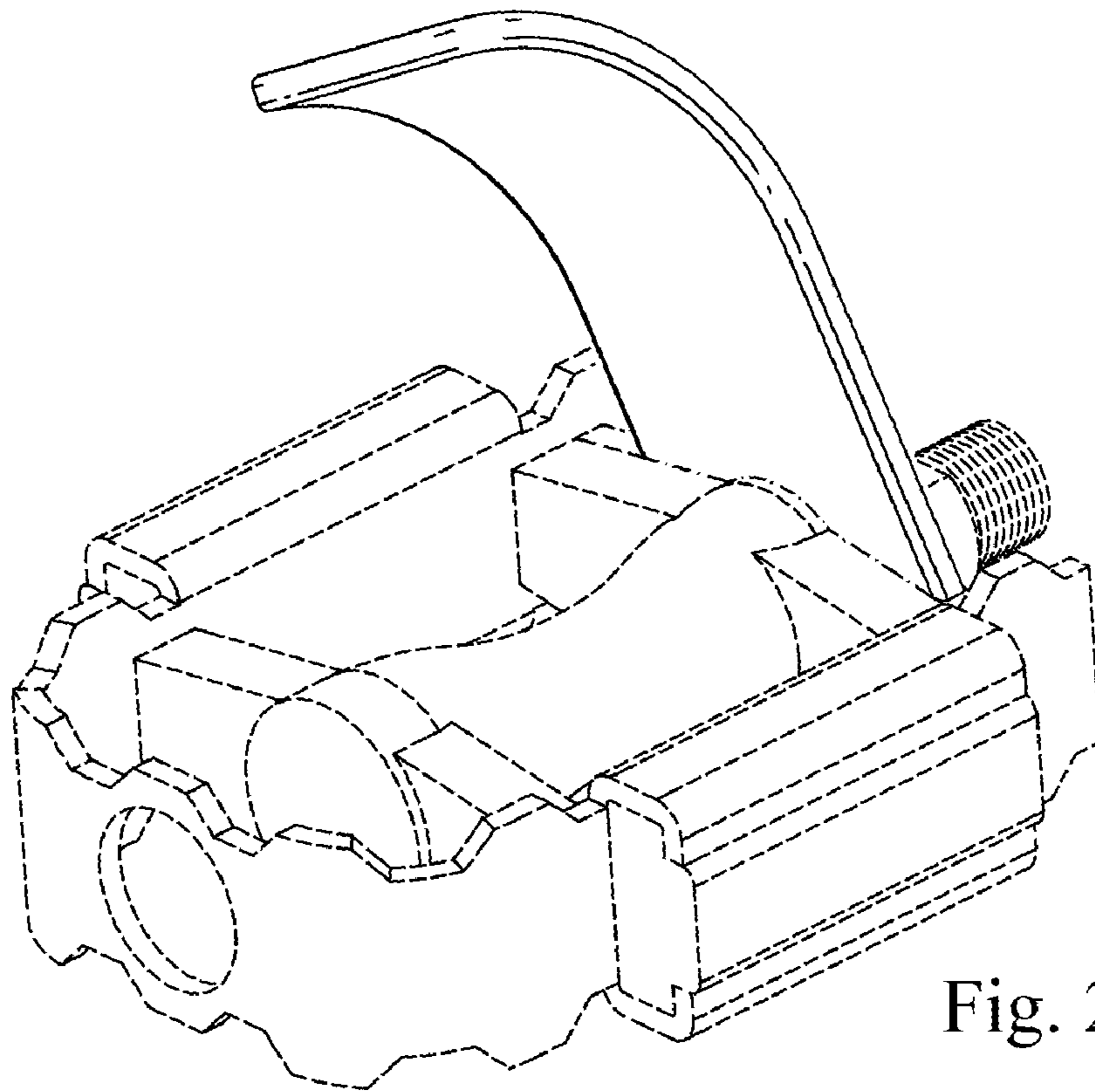


Fig. 2

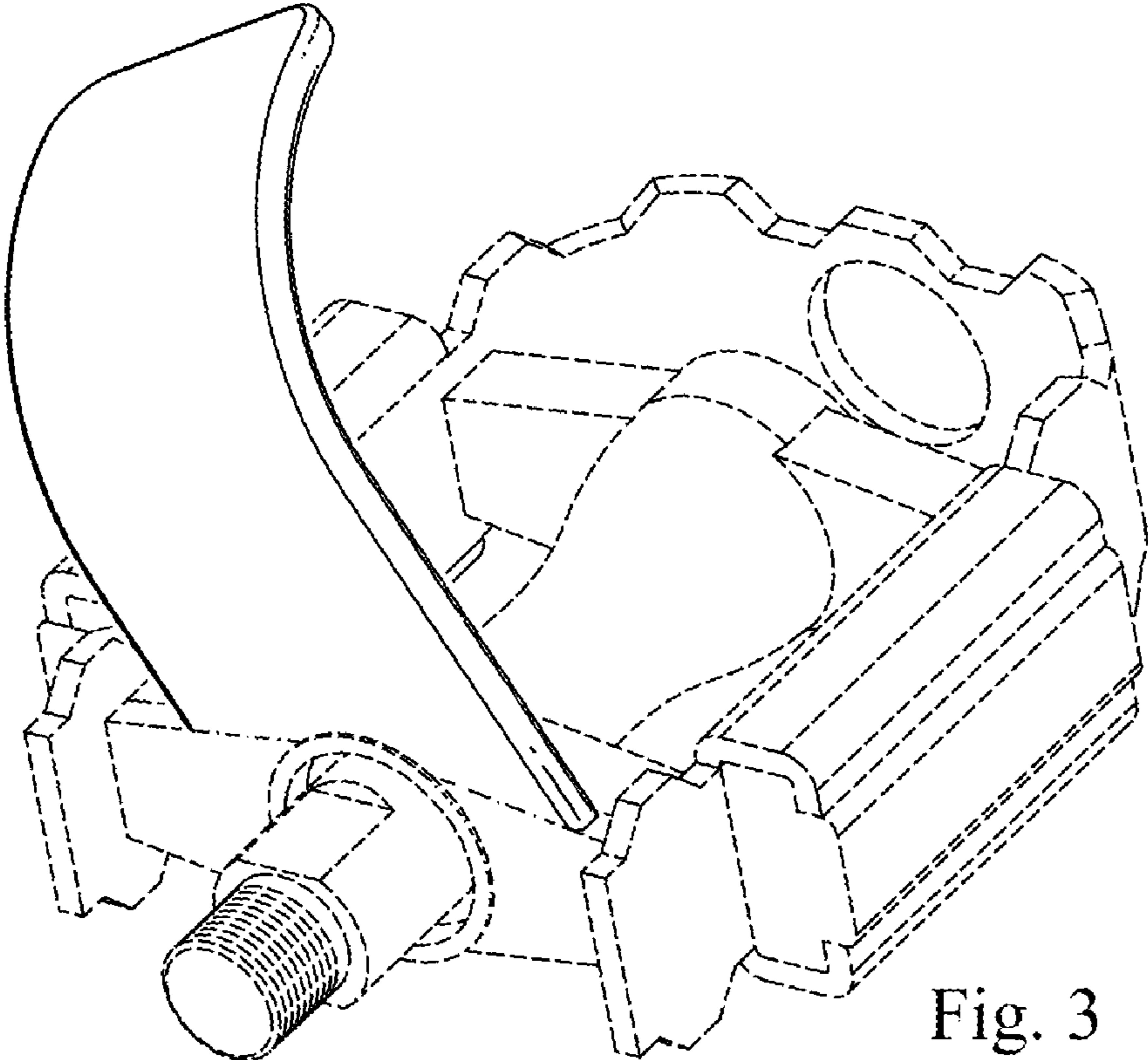


Fig. 3

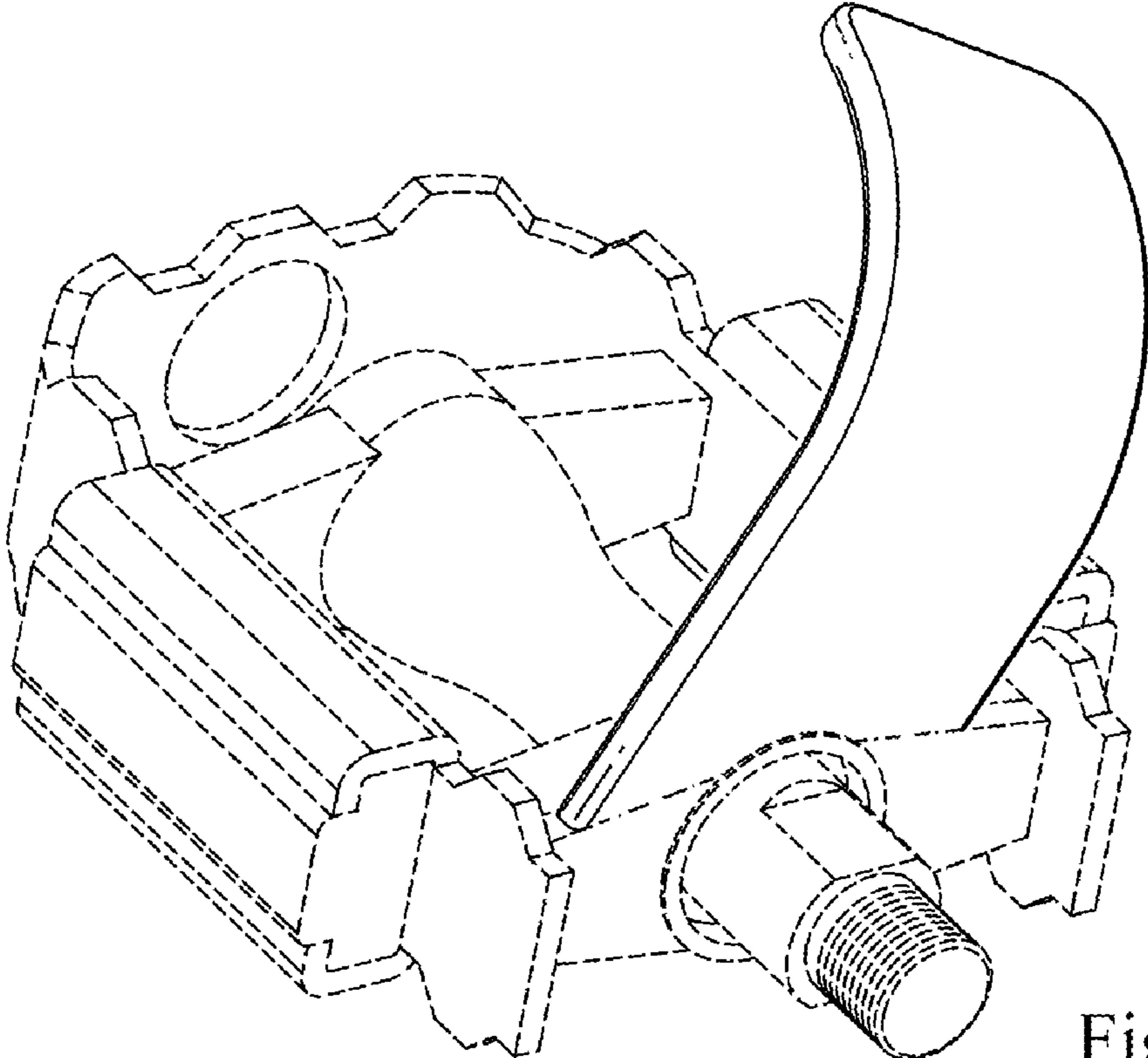


Fig. 4

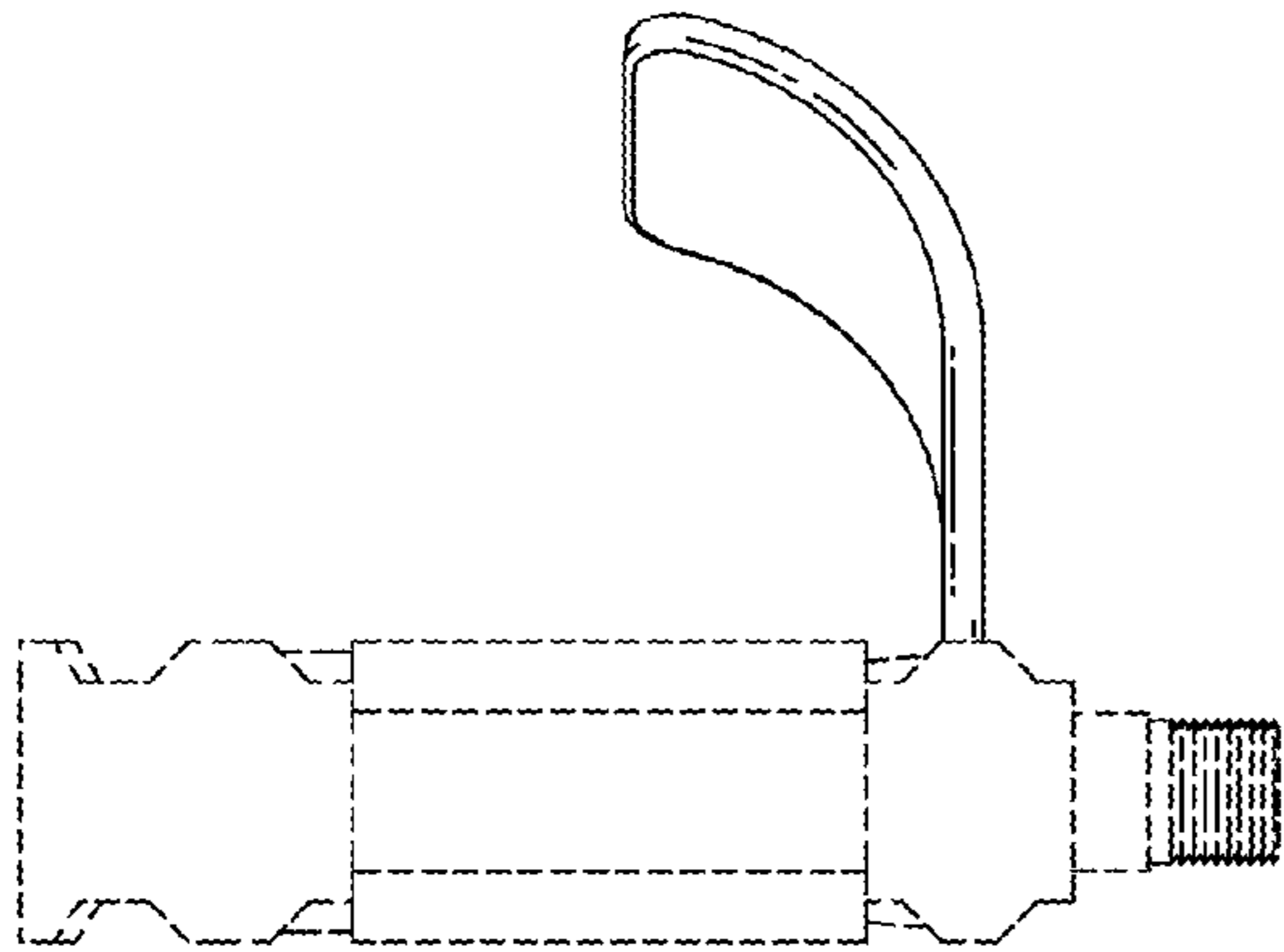


Fig. 5

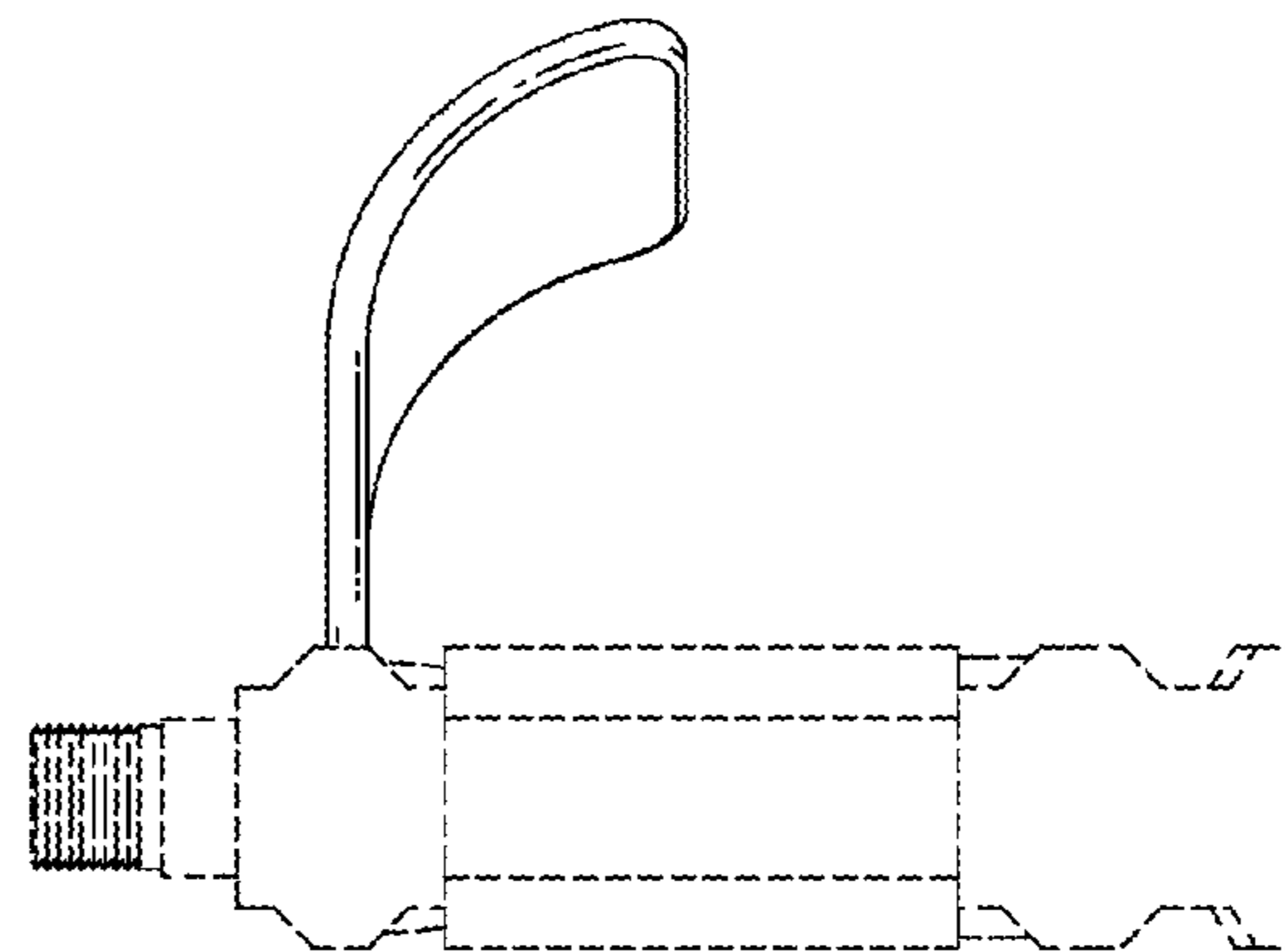


Fig. 6

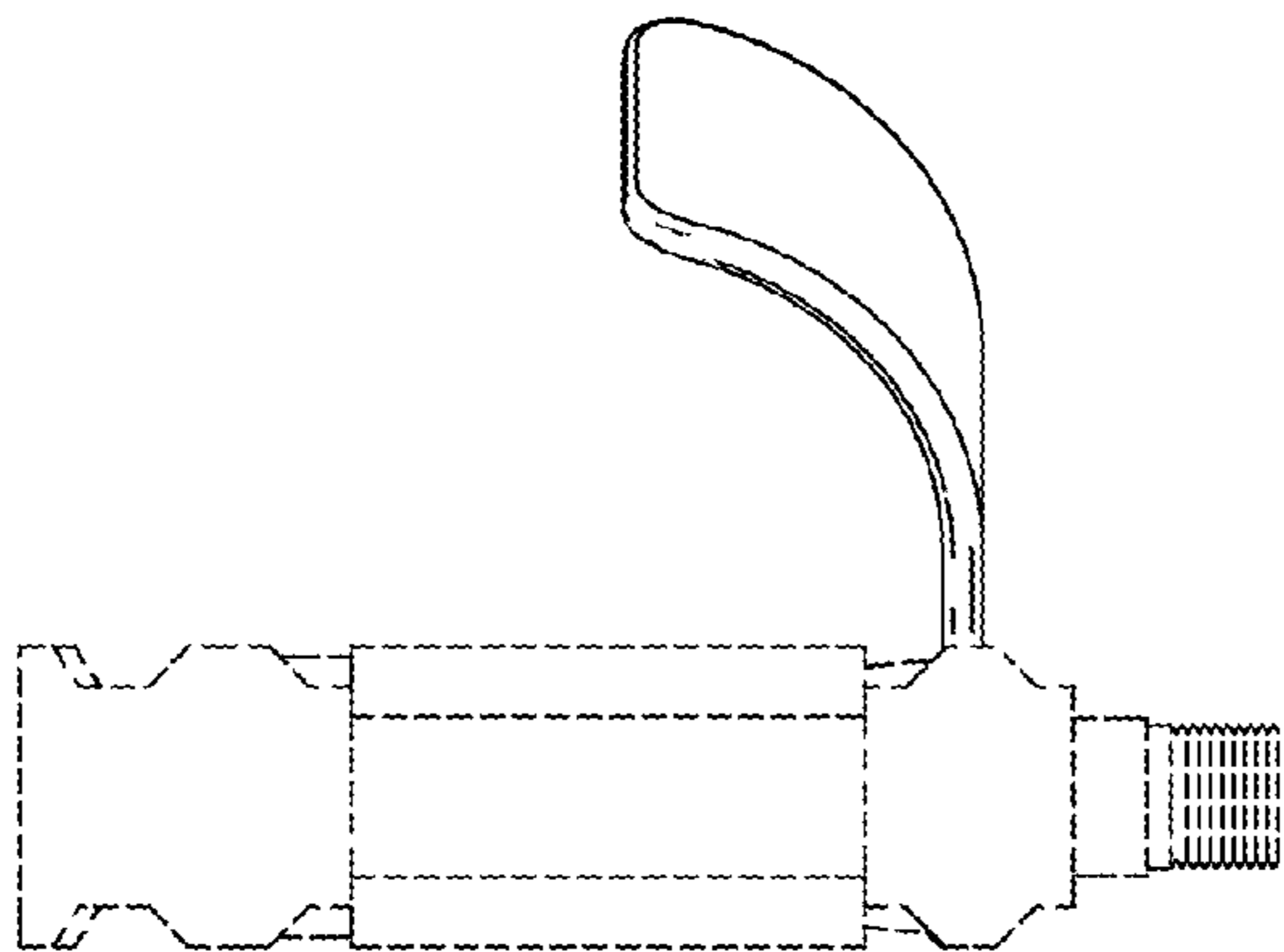


Fig. 7

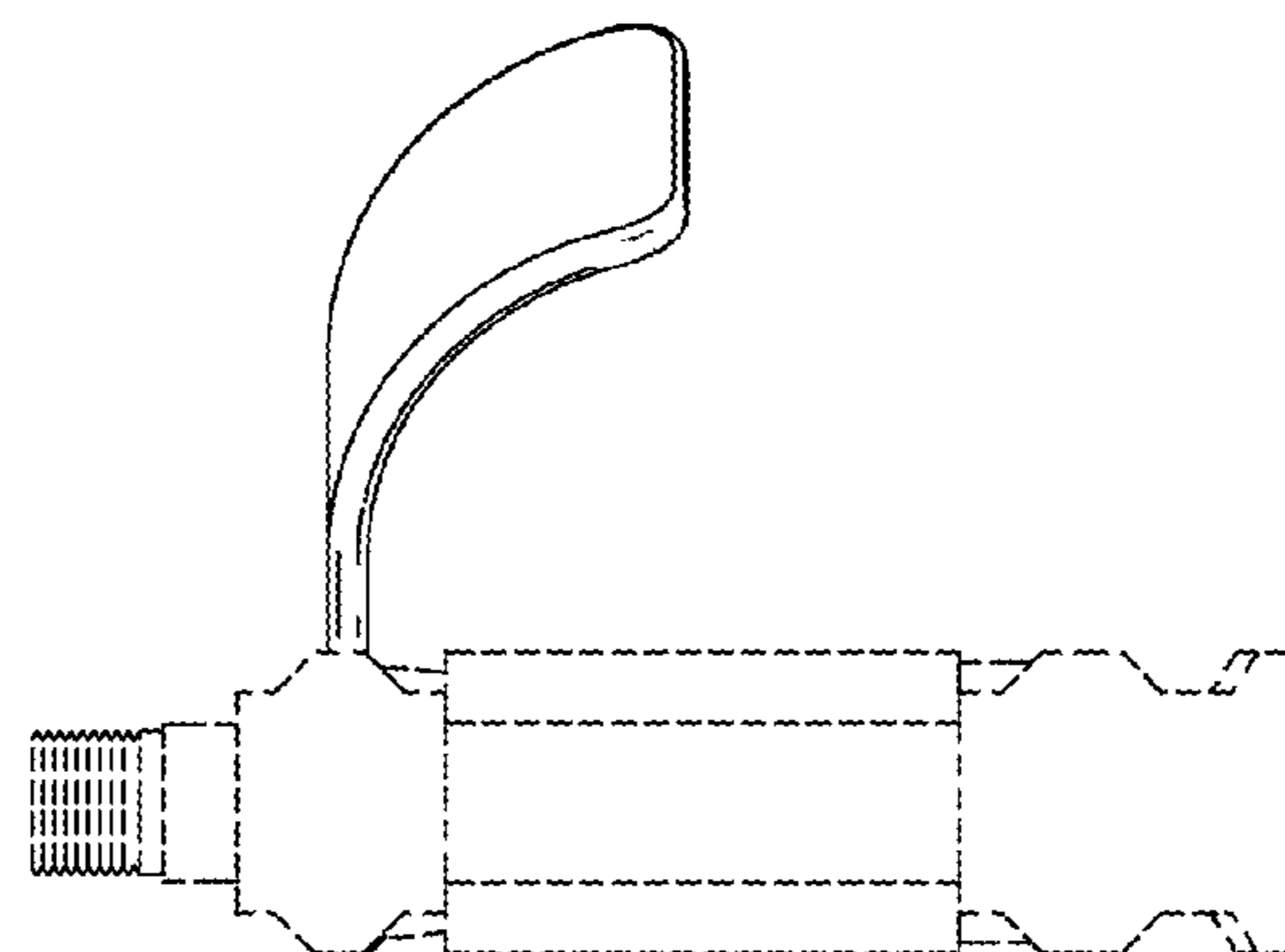


Fig. 8

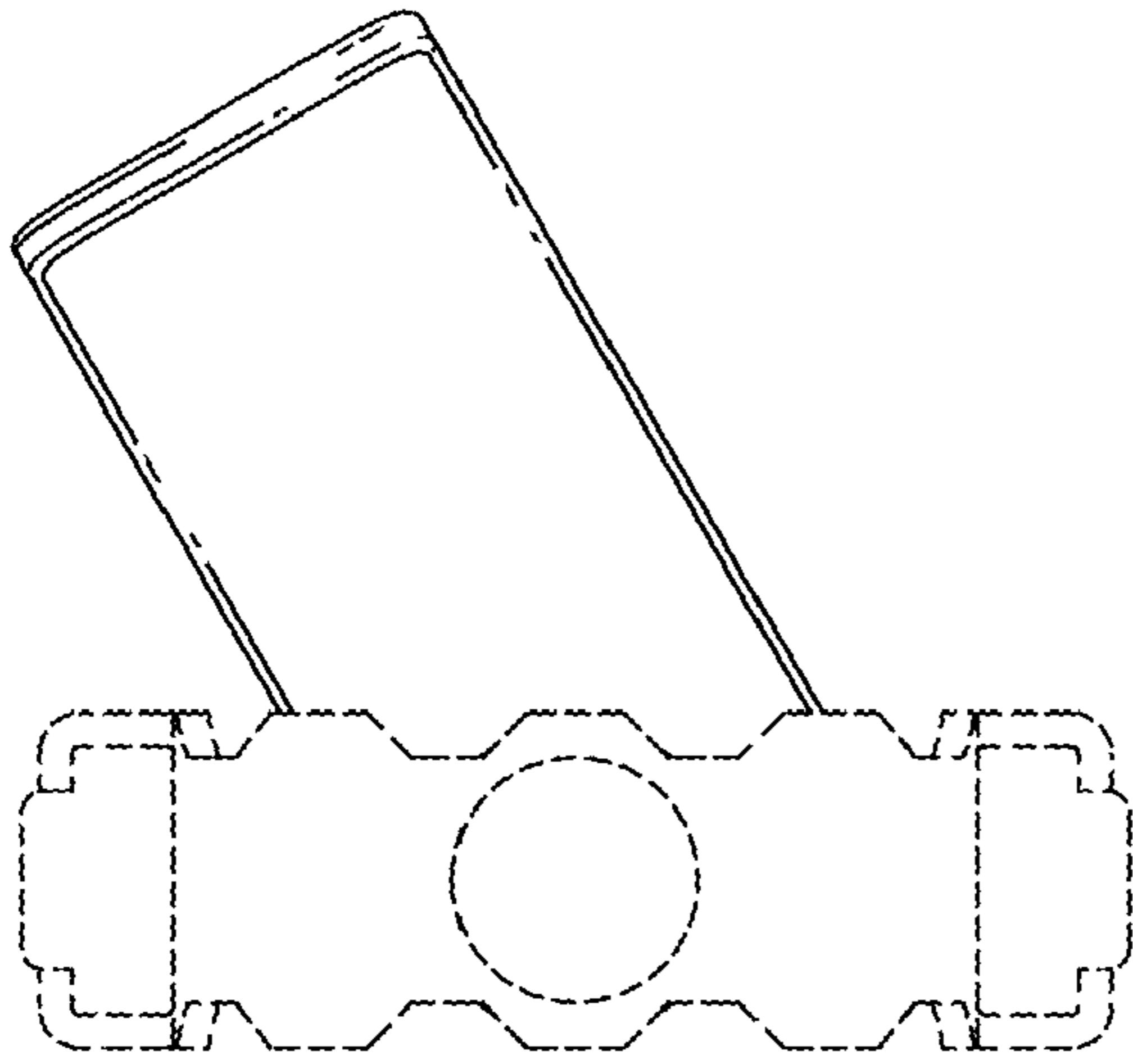


Fig. 9

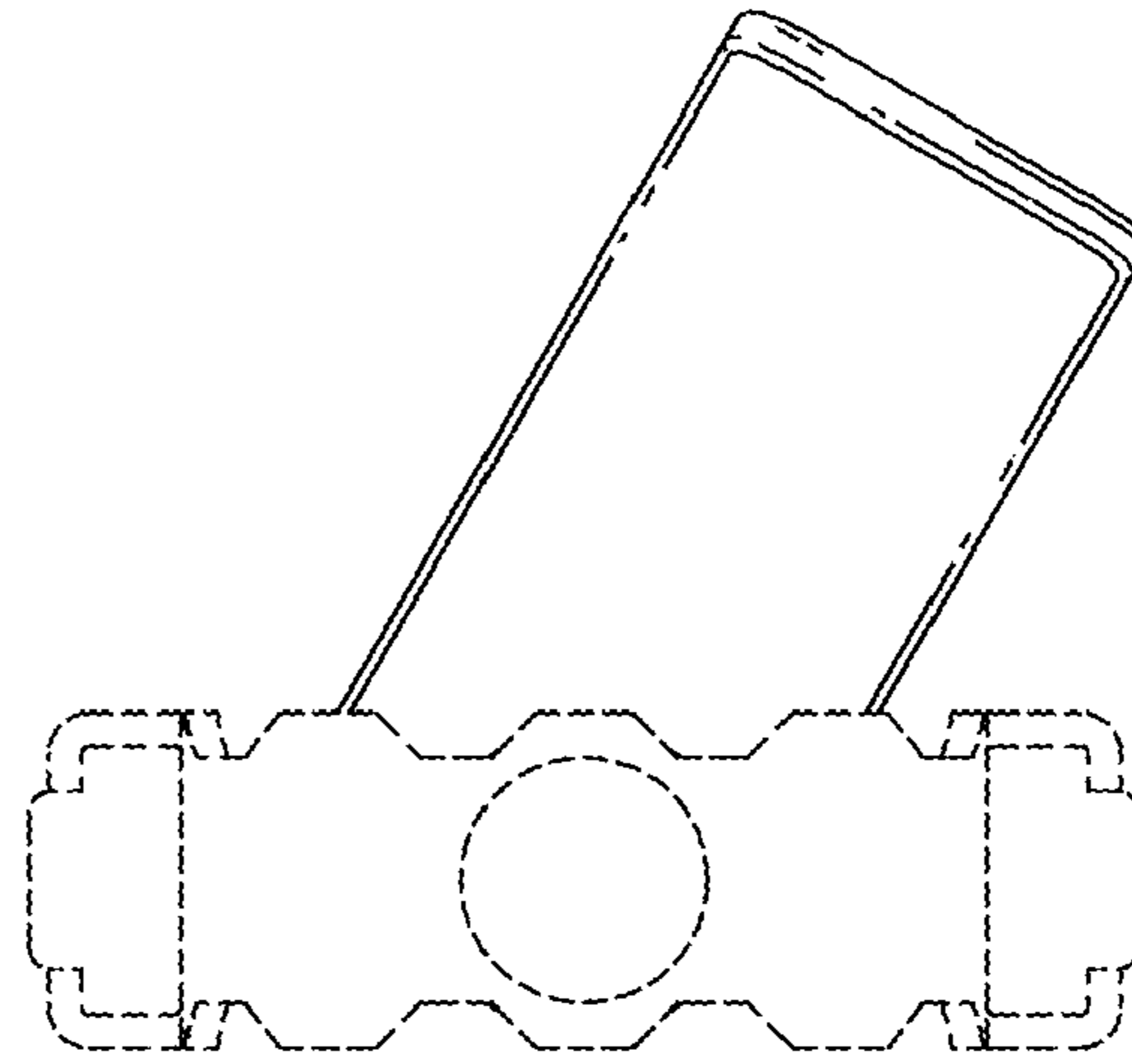


Fig. 10

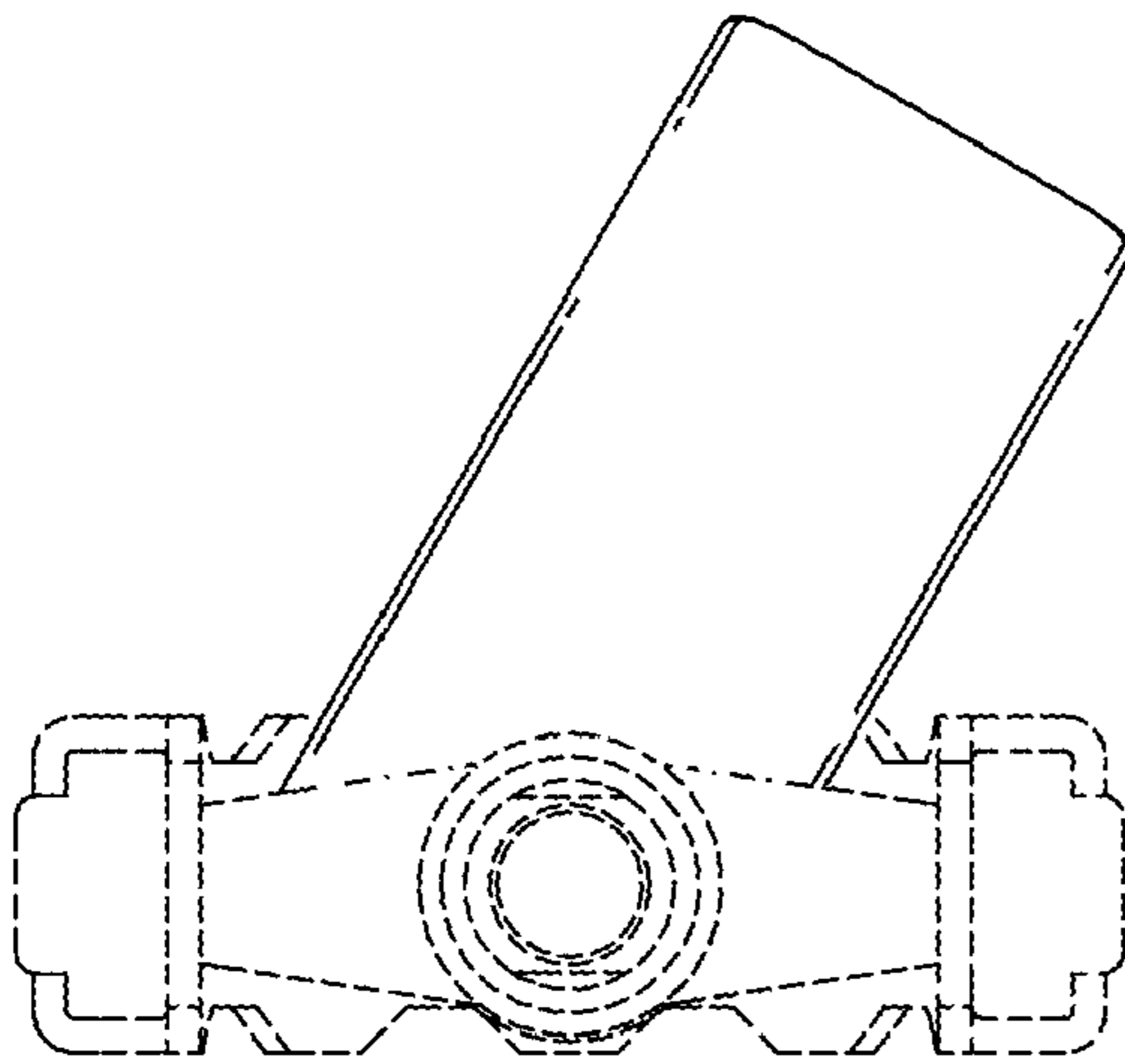


Fig. 11

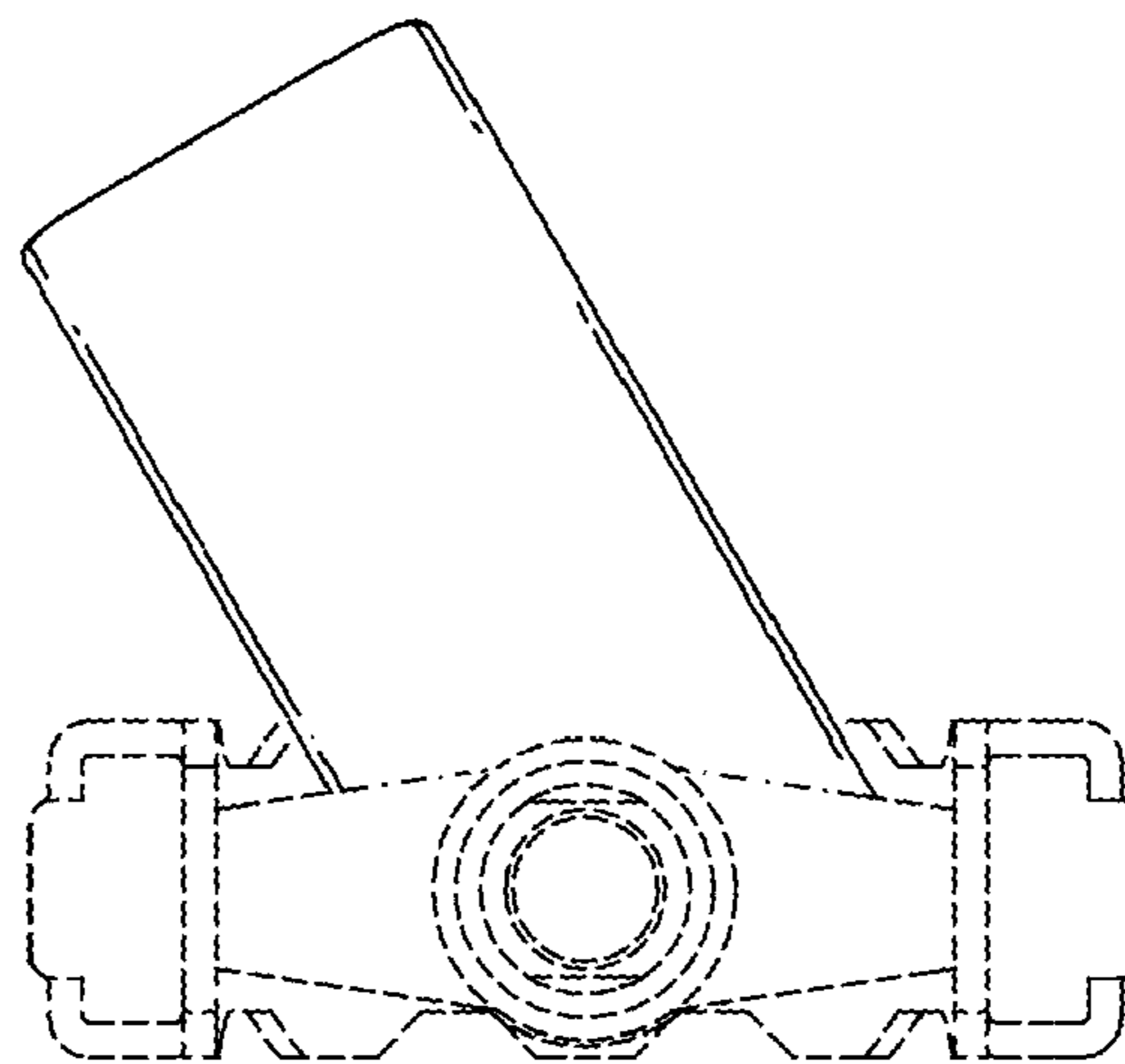


Fig. 12

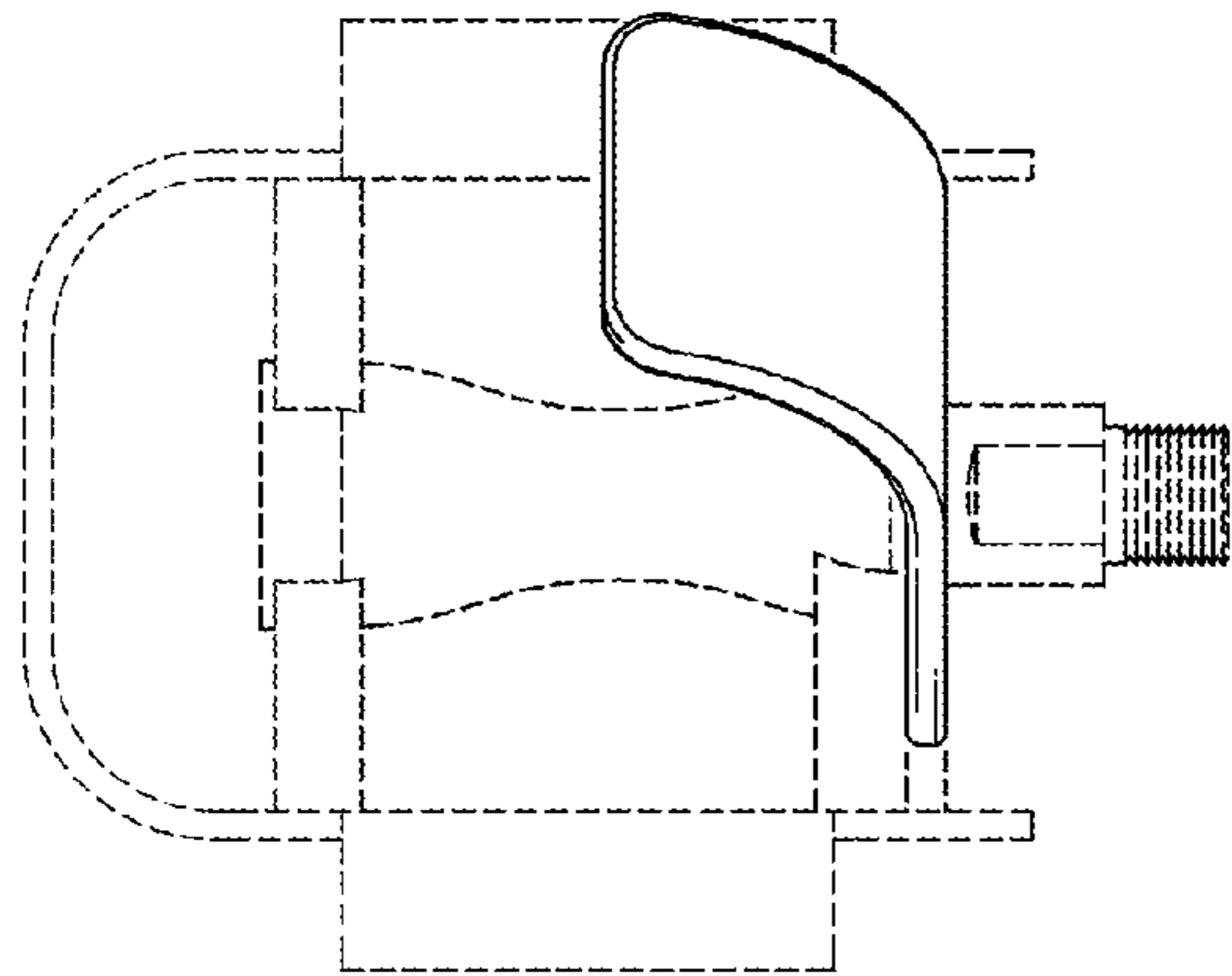


Fig. 13

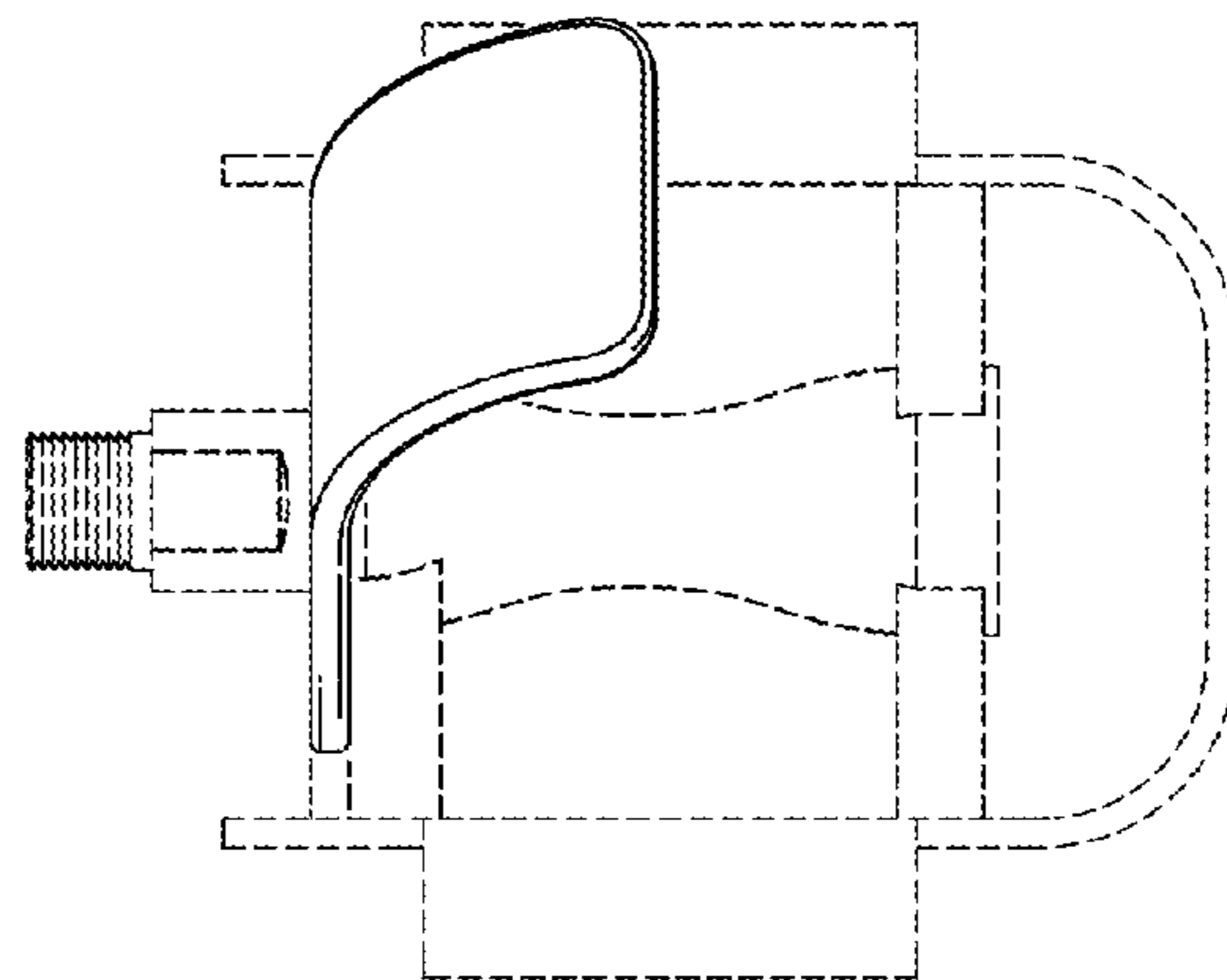


Fig. 14

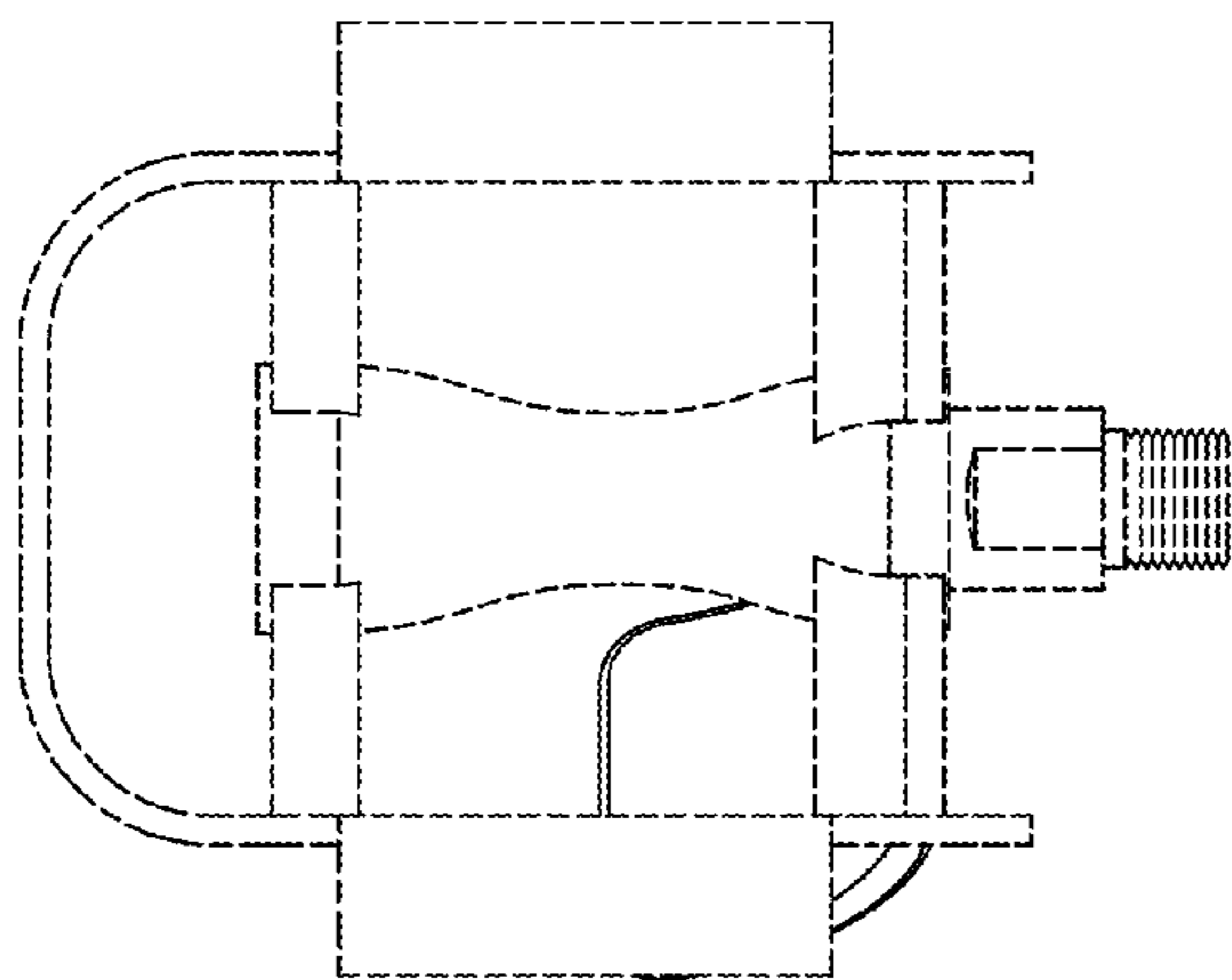


Fig. 15

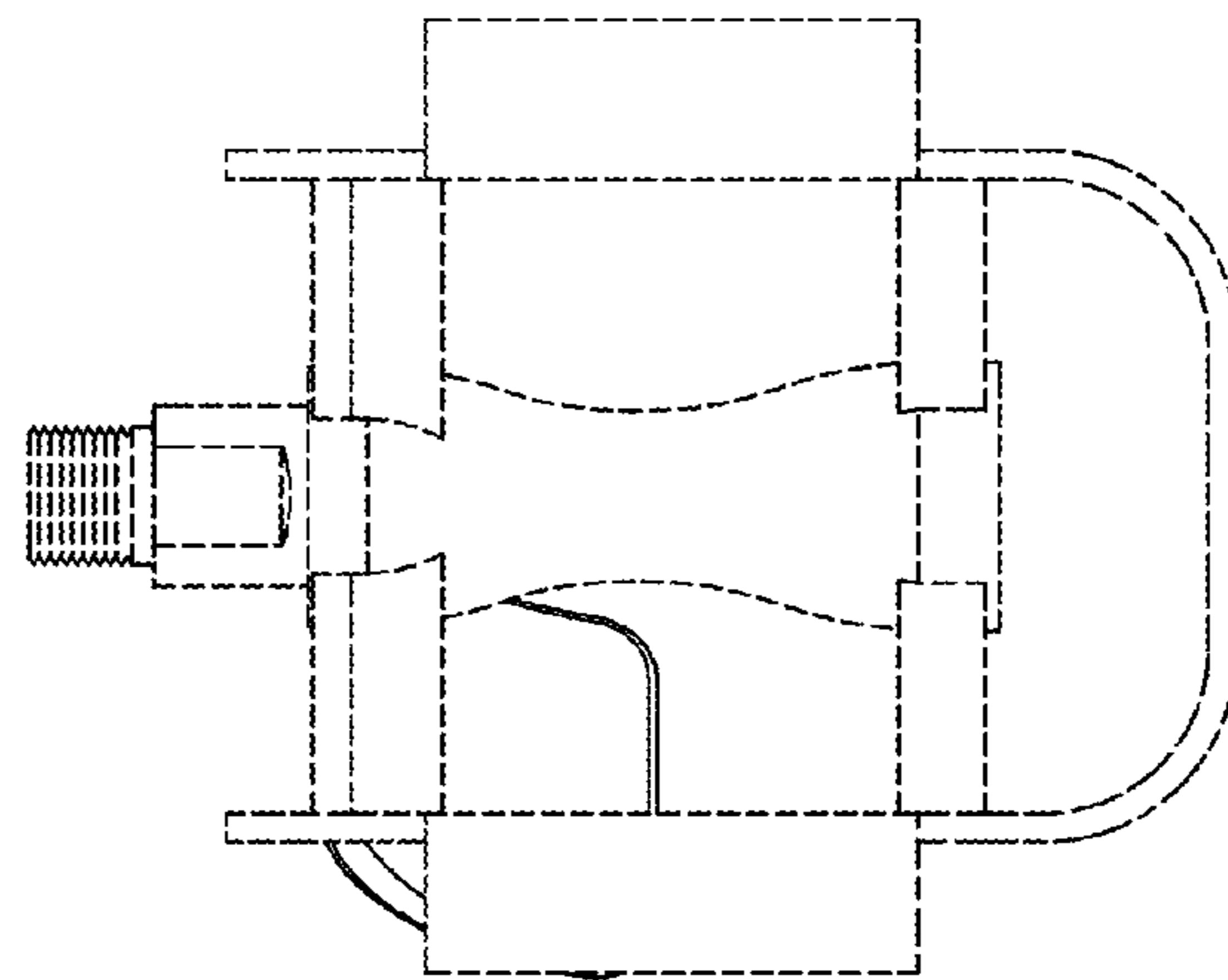


Fig. 16