



US00D671022S

(12) **United States Design Patent**
Hoffman et al.

(10) **Patent No.:** **US D671,022 S**

(45) **Date of Patent:** **** *Nov. 20, 2012**

(54) **GLOW-IN-THE-DARK DIAL ASSEMBLY**

(75) Inventors: **Alex L. Hoffman**, Bellevue, MI (US);
Frederick W. Blanchard, Battle Creek,
MI (US)

(73) Assignee: **Marshall Excelsior Company**,
Marshall, MI (US)

(*) Notice: This patent is subject to a terminal disclaimer.

(**) Term: **14 Years**

(21) Appl. No.: **29/389,333**

(22) Filed: **Apr. 8, 2011**

(51) **LOC (9) Cl.** **10-04**

(52) **U.S. Cl.** **D10/85; D10/102**

(58) **Field of Classification Search** D10/85,
D10/102; 116/284-305, 309, 310, 334, 335,
116/DIG. 36, 62.1-62.3; 362/23-30, 362
See application file for complete search history.

(56) **References Cited**

U.S. PATENT DOCUMENTS

D182,722 S * 5/1958 Ingham, Jr. D10/85
(Continued)

OTHER PUBLICATIONS

Advertisement for gauge dials by Rochester Gauges, Inc.; p. 37 of the
LPGas magazine; Mar. 2011; 1 page.

Primary Examiner — Antoine D Davis

(74) *Attorney, Agent, or Firm* — Howard & Howard
Attorneys PLLC

(57) **CLAIM**

The ornamental design for a glow-in-the-dark dial assembly,
as shown and described.

DESCRIPTION

FIG. 1 is a perspective view of a first embodiment of a dial
assembly for a gauge showing a dial face of the dial assembly.
The black portions of the dial face indicate the color black.
The dial face is evenly recessed about its perimeter from a
transparent cover;

FIG. 2 is a front view of the dial assembly of FIG. 1. The black
portions of the dial face indicate the color black;

FIG. 3 is a rear view of the dial assembly of FIG. 1;

FIG. 4 is a top elevational view of the dial assembly of FIG. 2.
The bottom elevational view of the dial assembly of FIG. 2 is
a mirror image of the view shown in FIG. 4;

FIG. 5 is a left side elevational view of the dial assembly of
FIG. 2. The right side elevational view of the dial assembly of
FIG. 2 is a mirror image of the view shown in FIG. 5;

FIG. 6 is a perspective view of a second embodiment of a dial
assembly for a gauge showing a dial face of the dial assembly.
The black portions of the dial face indicate the color black.
The dial face is evenly recessed about its perimeter from a
transparent cover;

FIG. 7 is a front view of the dial assembly of FIG. 6. The black
portions of the dial face indicate the color black;

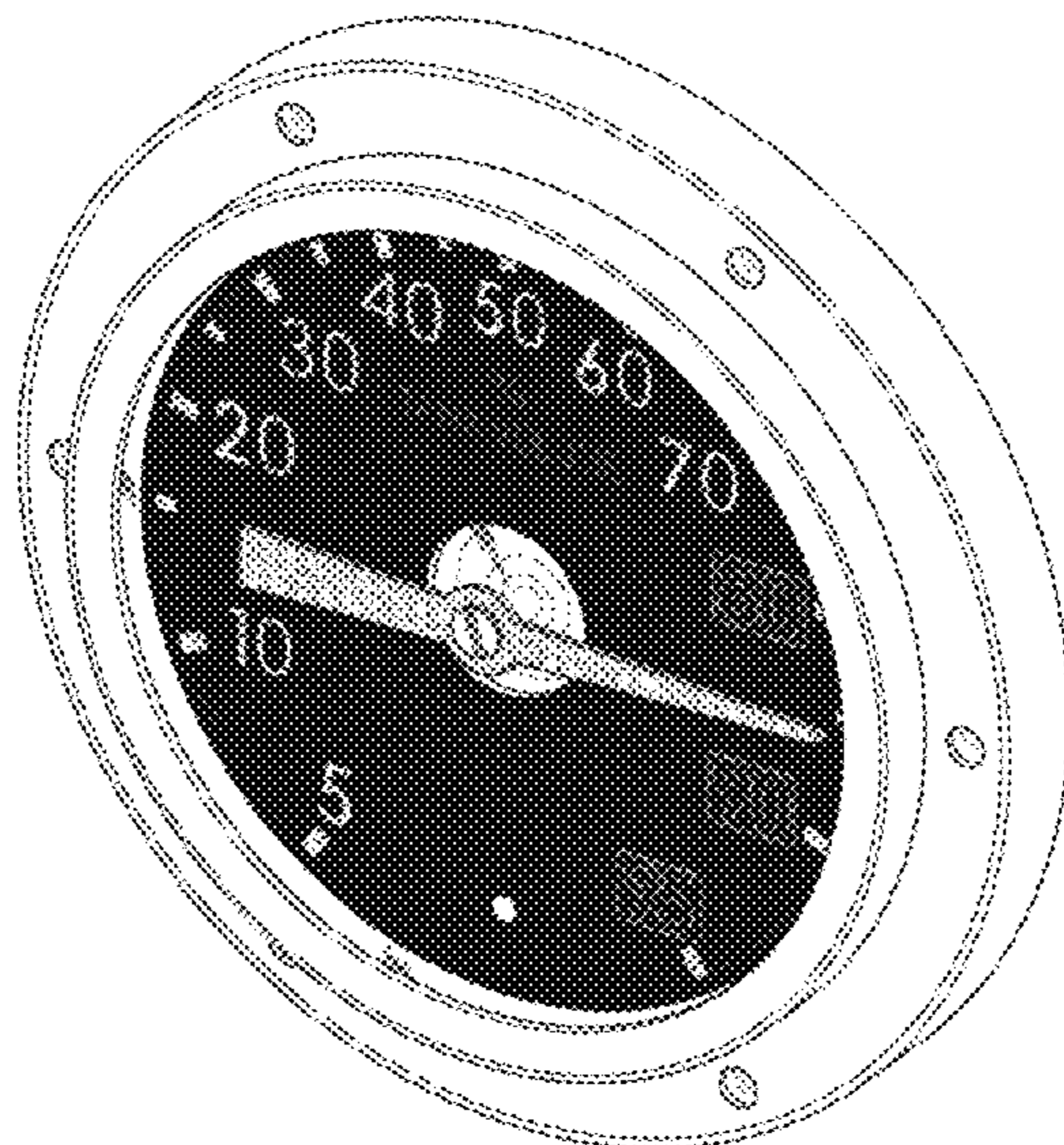
FIG. 8 is a rear view of the dial assembly of FIG. 6;

FIG. 9 is a top elevational view of the dial assembly of FIG. 7.
The bottom elevational view of the dial assembly of FIG. 7 is
a mirror image of the view shown in FIG. 9; and,

FIG. 10 is a left side elevational view of the dial assembly of
FIG. 7. The right side elevational view of the dial assembly of
FIG. 7 is a mirror image of the view shown in FIG. 10.

The broken lines are for illustrative purposes only and form
no part of the claimed design. The stippled shading in FIGS.
1, 2, 6, and 7 is used to indicate an opaque material that is
white in color and has phosphorescence.

1 Claim, 8 Drawing Sheets



US D671,022 S

Page 2

U.S. PATENT DOCUMENTS

5,533,405	A *	7/1996	Hoshino	73/760	D537,744	S *	3/2007	Wu	D10/102
D402,399	S	12/1998	Fowler			2009/0205560	A1 *	8/2009	Behrends et al.	116/334
D453,696	S	2/2002	Thadani			2011/0038137	A1 *	2/2011	Ishikawa et al.	362/23
D514,968	S *	2/2006	Tahira et al.	D10/102	2011/0242789	A1 *	10/2011	Kato	362/26
D522,365	S	6/2006	Samuels								

* cited by examiner

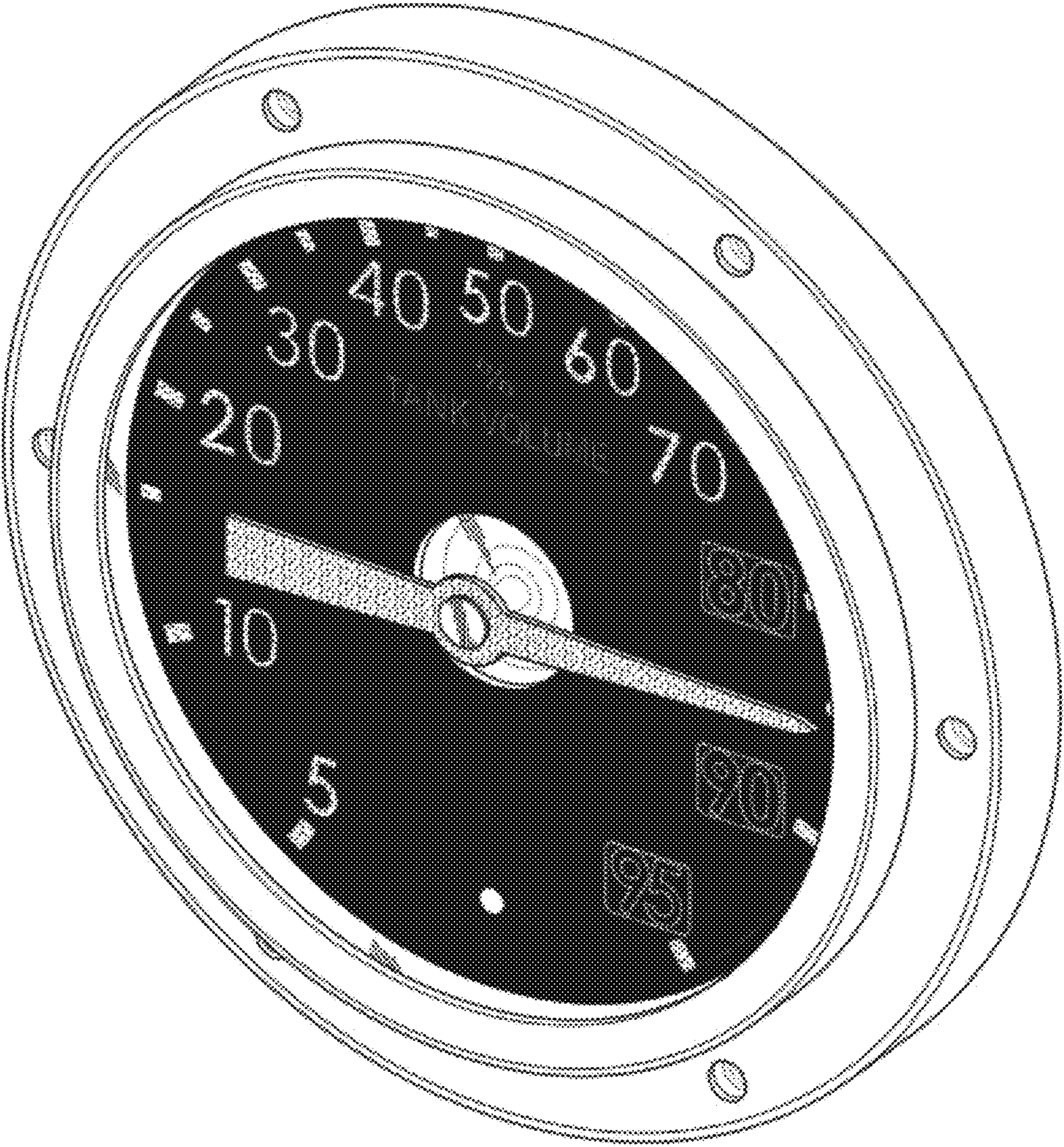


FIG. 1



FIG. 2

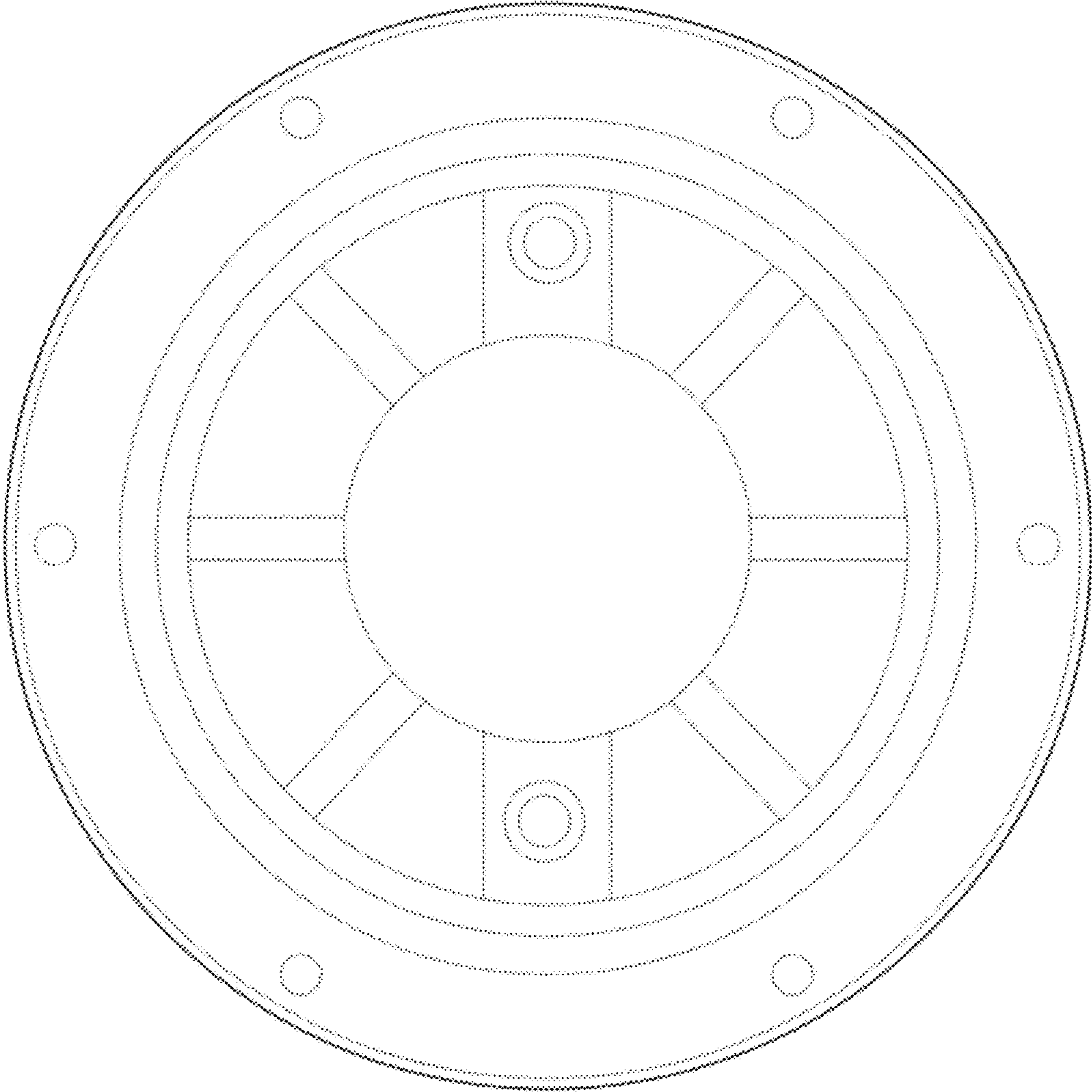


FIG. 3

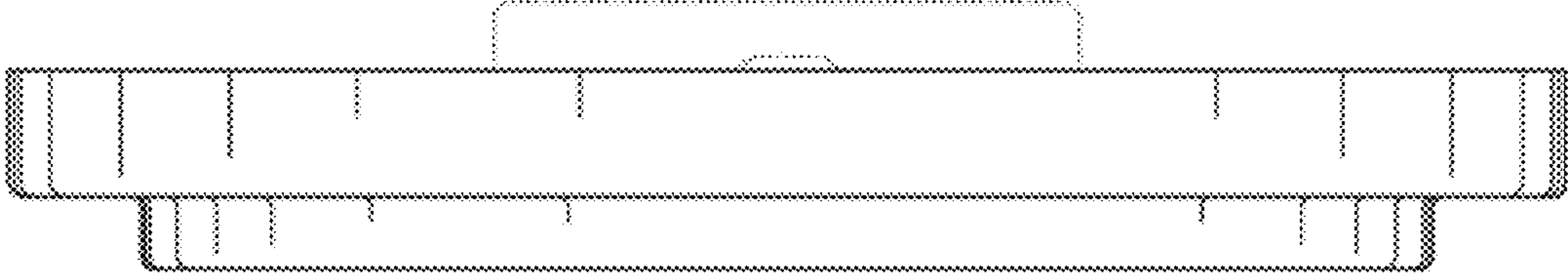


FIG. 4

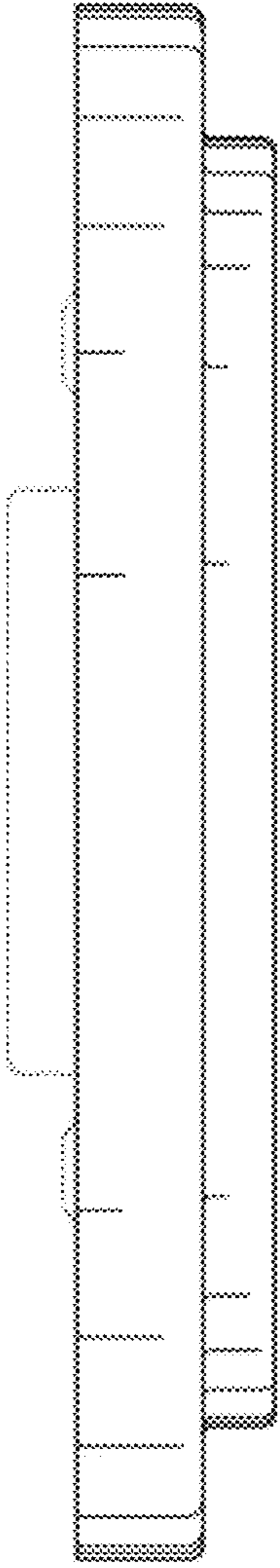


FIG. 5

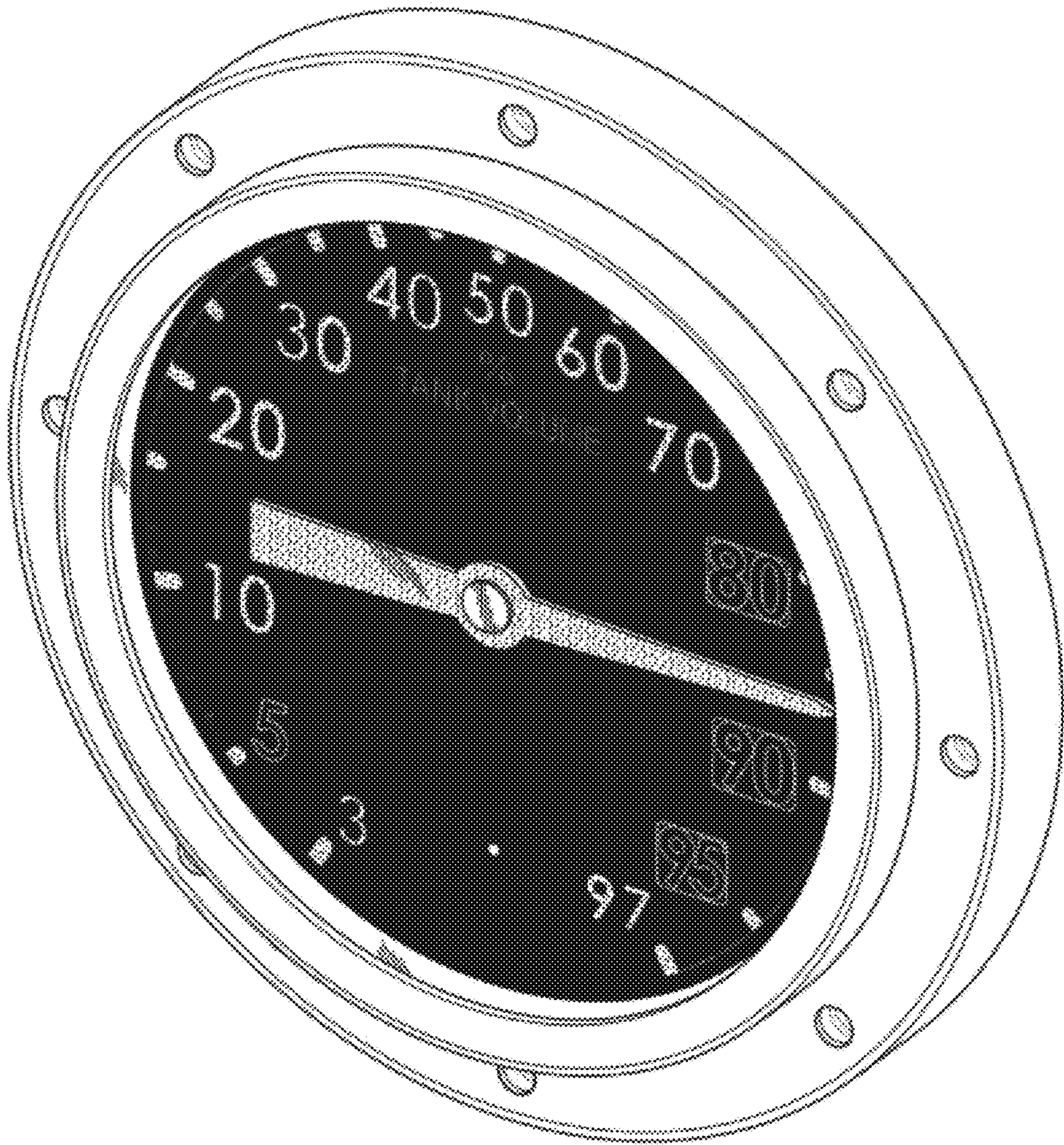


FIG. 6



FIG. 7

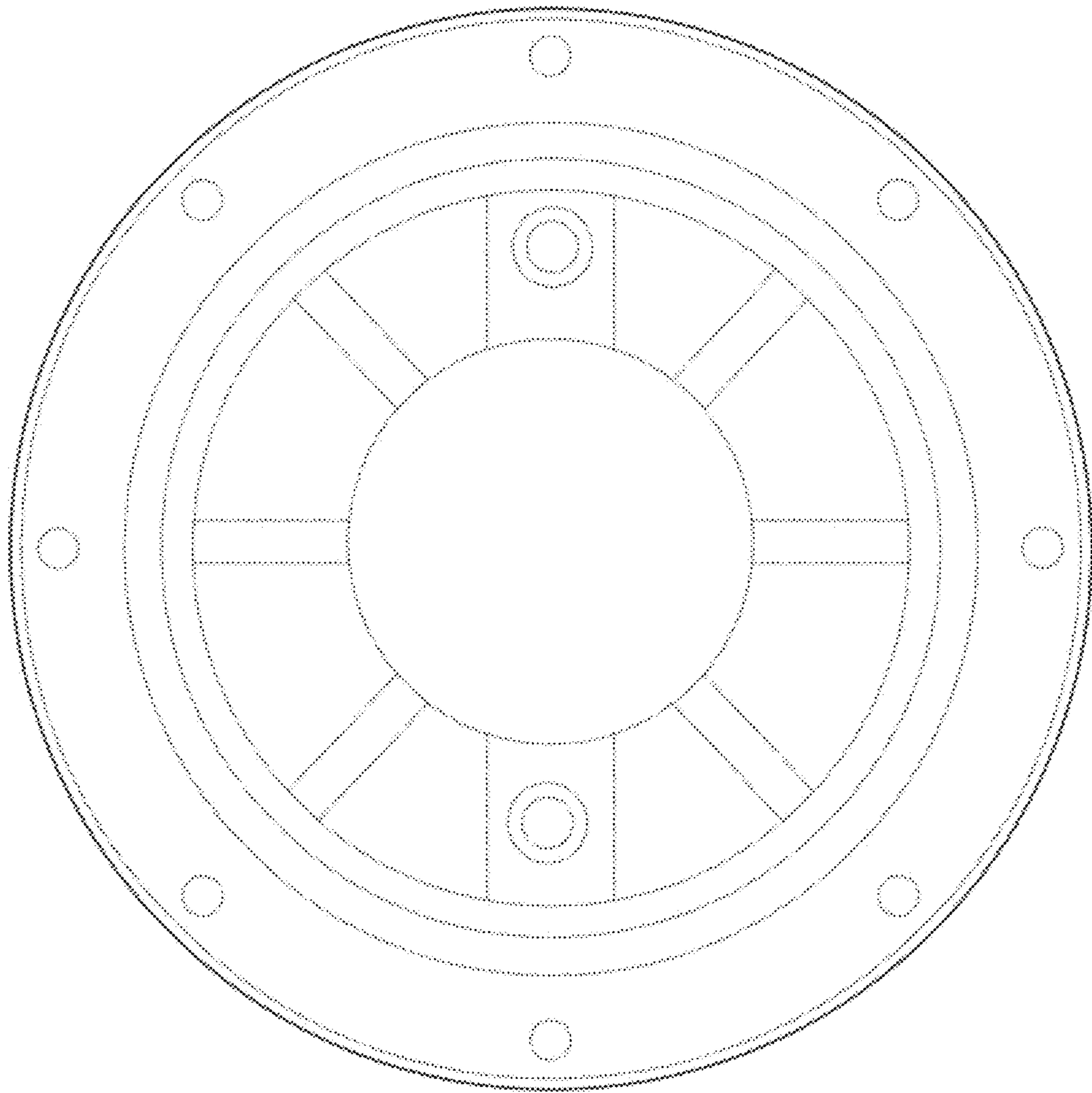


FIG. 8

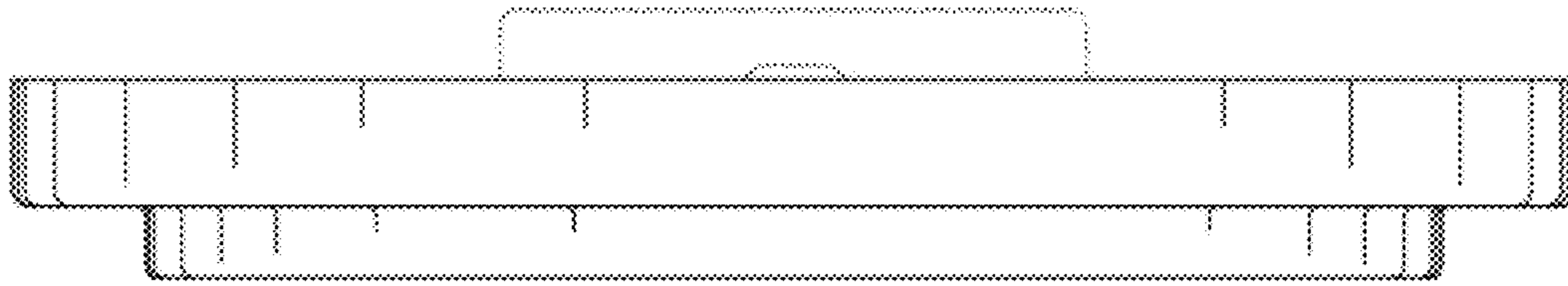


FIG. 9

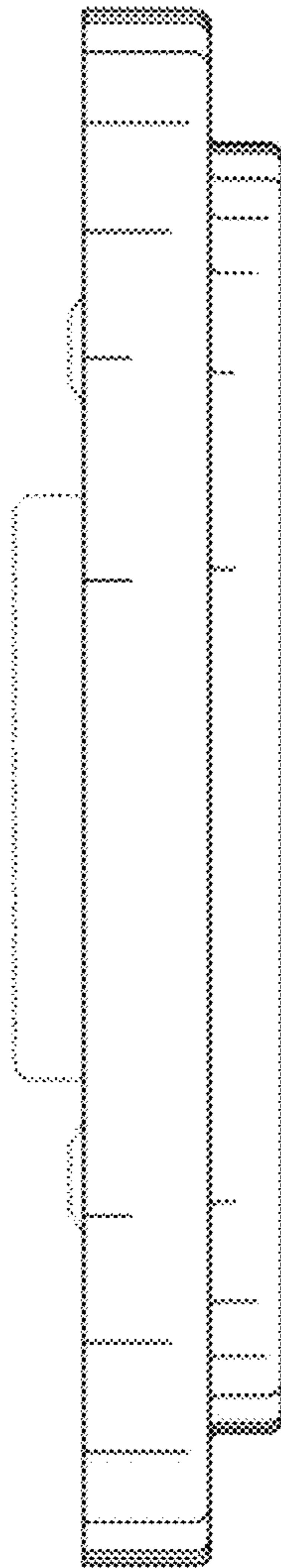


FIG. 10