



US00D671020S

(12) **United States Design Patent**
Collins

(10) **Patent No.:** **US D671,020 S**

(45) **Date of Patent:** **** Nov. 20, 2012**

(54) **HOUSING FOR ACTIVITY MONITOR**

(76) Inventor: **John Collins**, Monrovia, CA (US)

(**) Term: **14 Years**

(21) Appl. No.: **29/382,382**

(22) Filed: **Jan. 3, 2011**

(51) **LOC (9) Cl.** **10-04**

(52) **U.S. Cl.** **D10/70**

(58) **Field of Classification Search** D10/70;

235/105; 377/5, 24.2, 26; 73/514.33, 514.34,
73/510, 513, 527, 530; 702/155, 160, 176,
702/78, 79, 82, 91, 92-95, 104, 116, 141,
702/150, 151, 154, 127, 131, 182, 183, 189;
324/522; 345/165, 156, 905; 600/437, 443,
600/453, 459, 465, 479, 500, 502, 595, 485,
600/481, 483

See application file for complete search history.

(56) **References Cited**

U.S. PATENT DOCUMENTS

7,385,589 B2 * 6/2008 Bartels et al. 345/169
7,493,232 B1 * 2/2009 Surina 702/160
D659,037 S * 5/2012 Madsen et al. D10/70

* cited by examiner

Primary Examiner — Antoine D Davis

(74) *Attorney, Agent, or Firm* — Wood, Phillips, Katz, Clark
& Mortimer

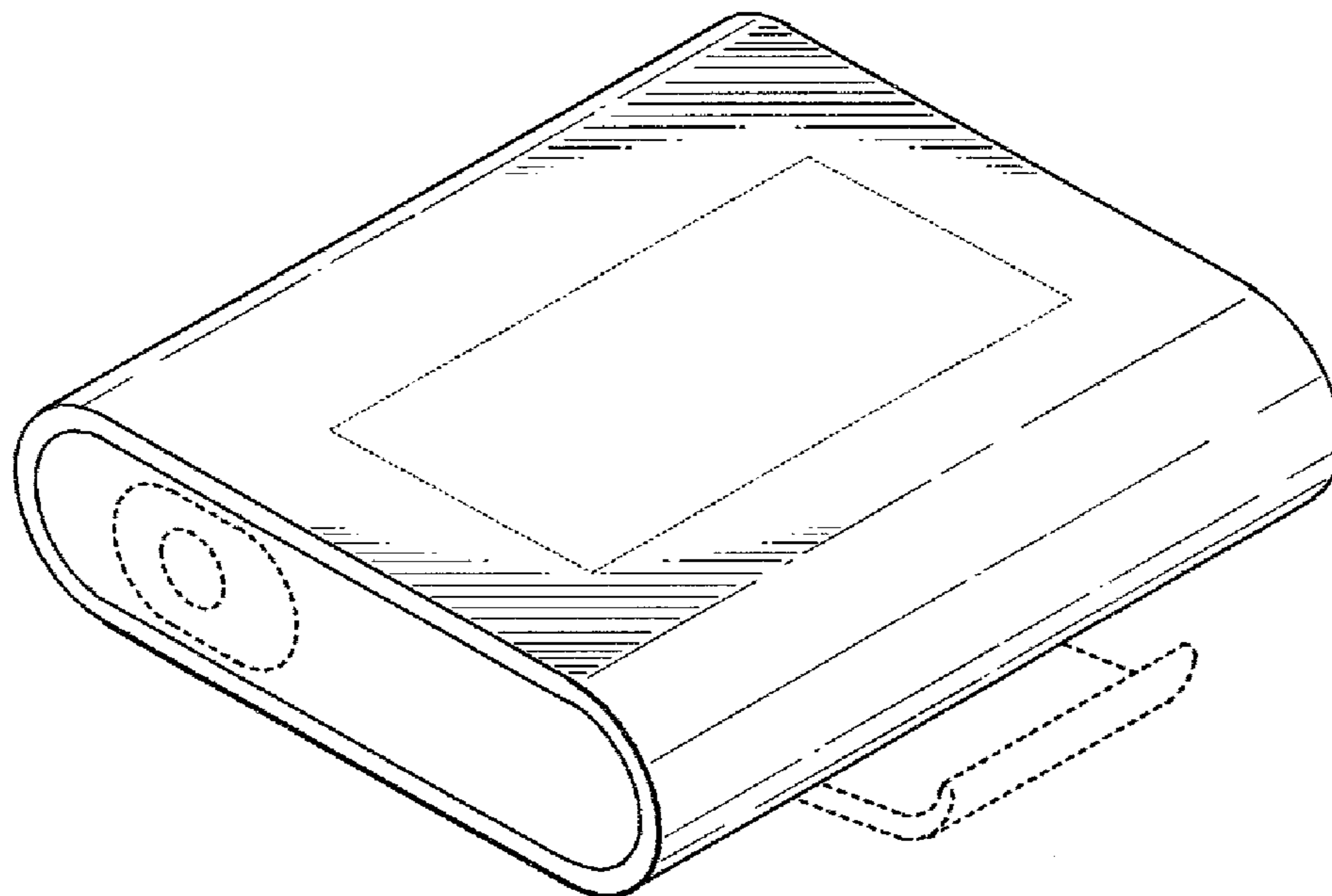
(57) **CLAIM**

The ornamental design for a housing for activity monitor,
substantially as shown and described.

DESCRIPTION

FIG. 1 is a top, front, and left side perspective view of a
housing for activity monitor showing my new design;
FIG. 2 is a plan view thereof;
FIG. 3 is a bottom view thereof;
FIG. 4 is a left side elevation view thereof;
FIG. 5 is a right side elevation view thereof;
FIG. 6 is a front elevation view thereof; and,
FIG. 7 is a rear elevation view.
The portions of the housing for activity monitor shown in
dotted lines do not constitute a part of the claimed design.

1 Claim, 2 Drawing Sheets



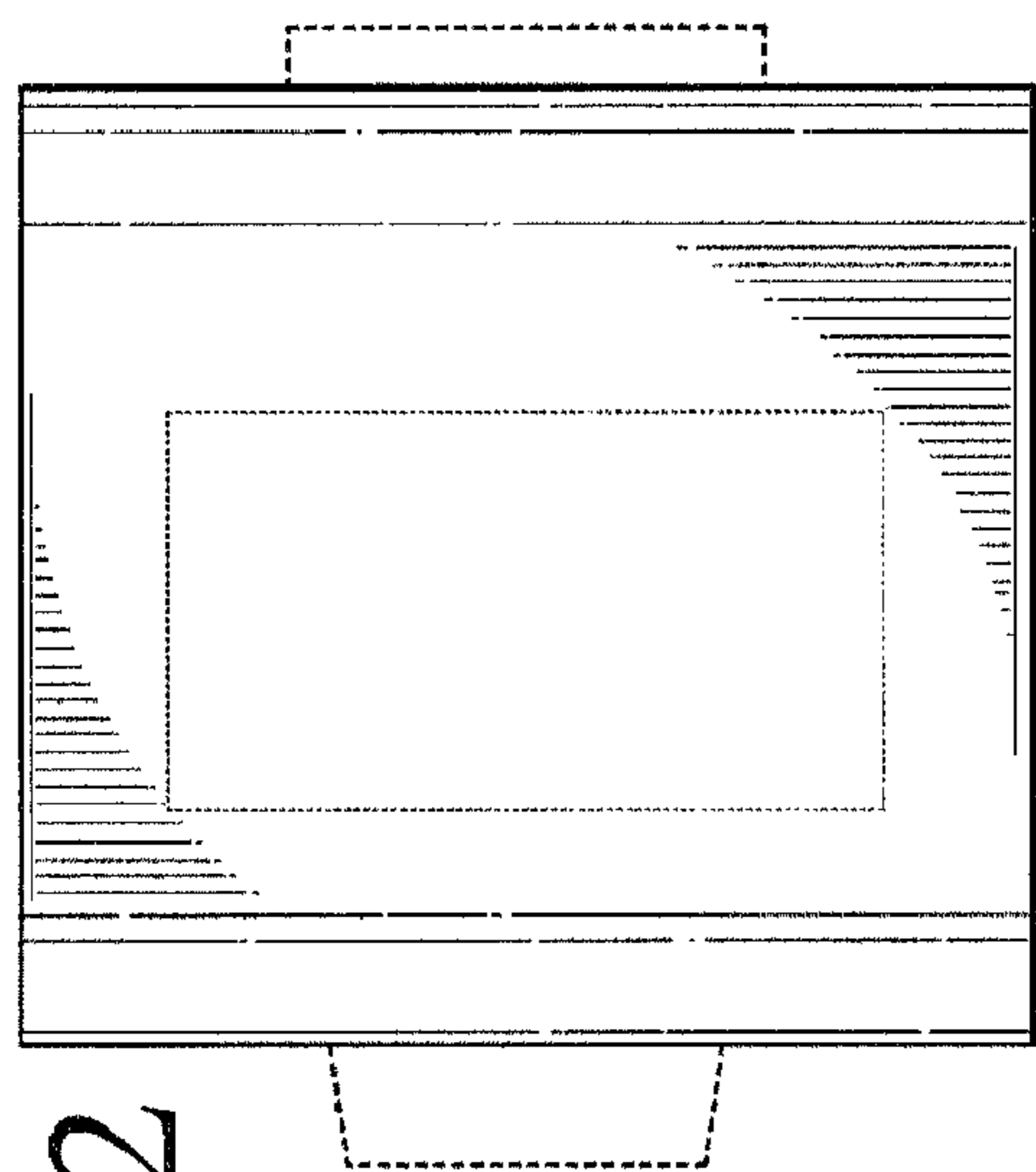


Fig. 2

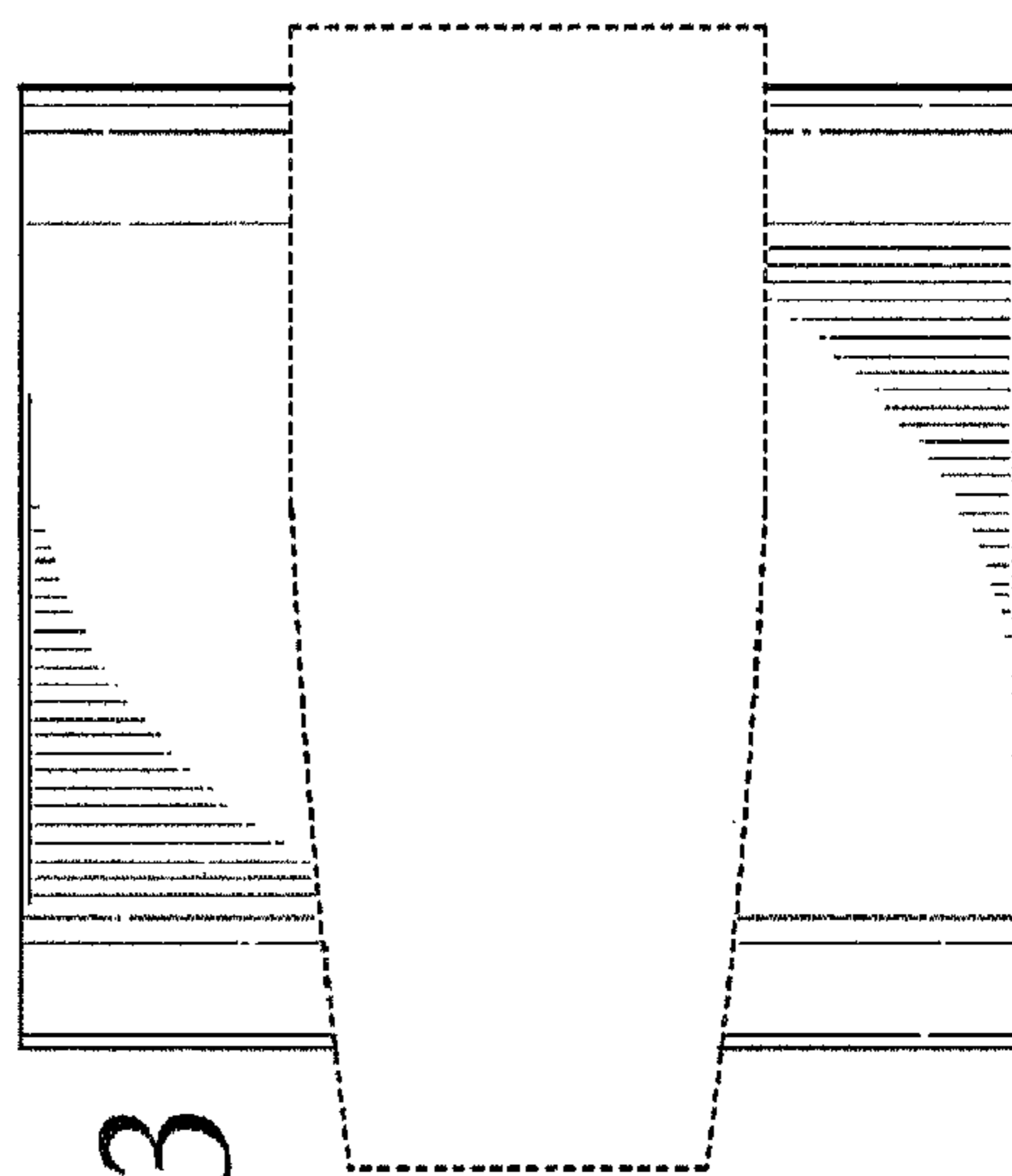


Fig. 3

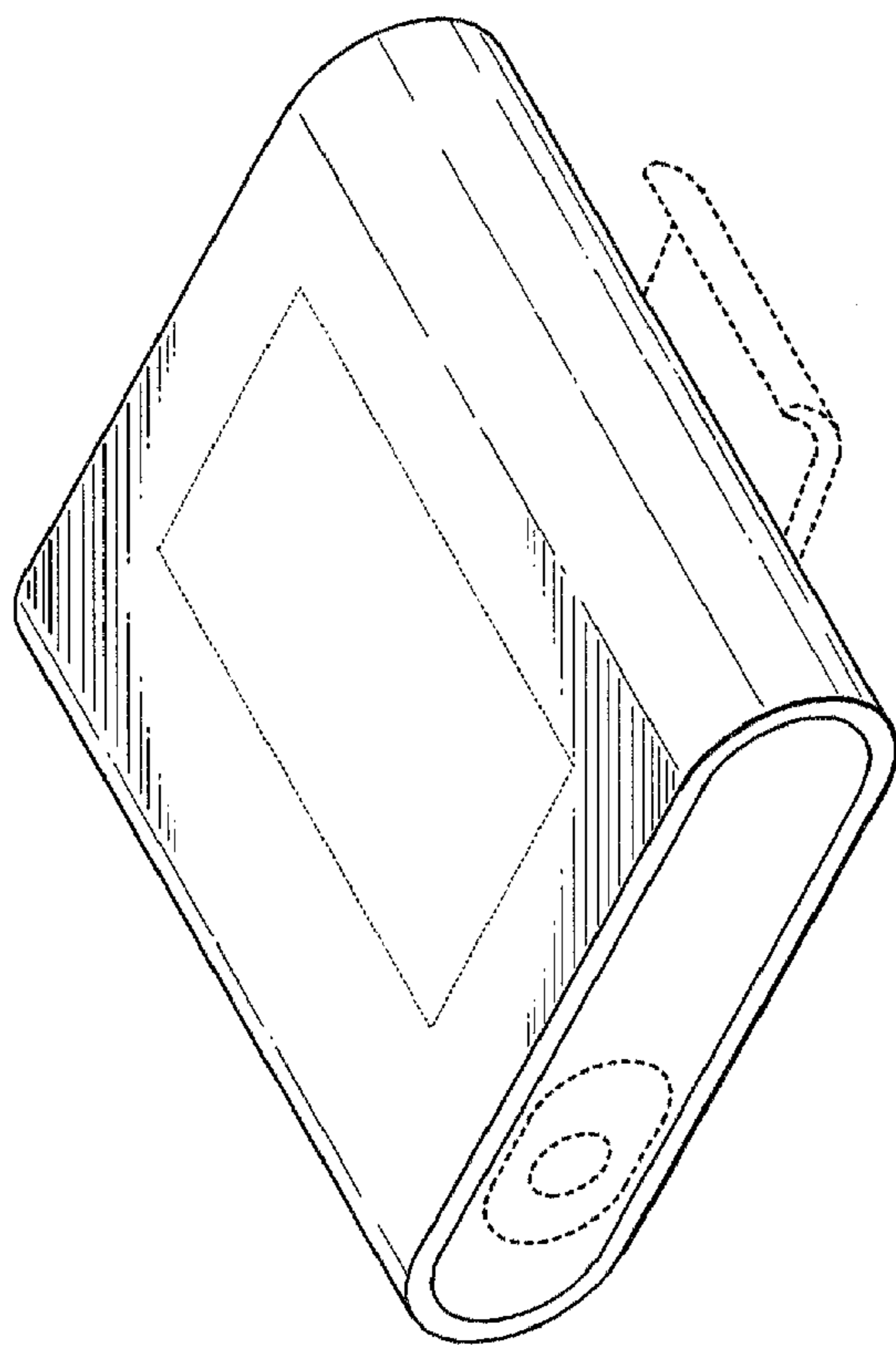


Fig. 1

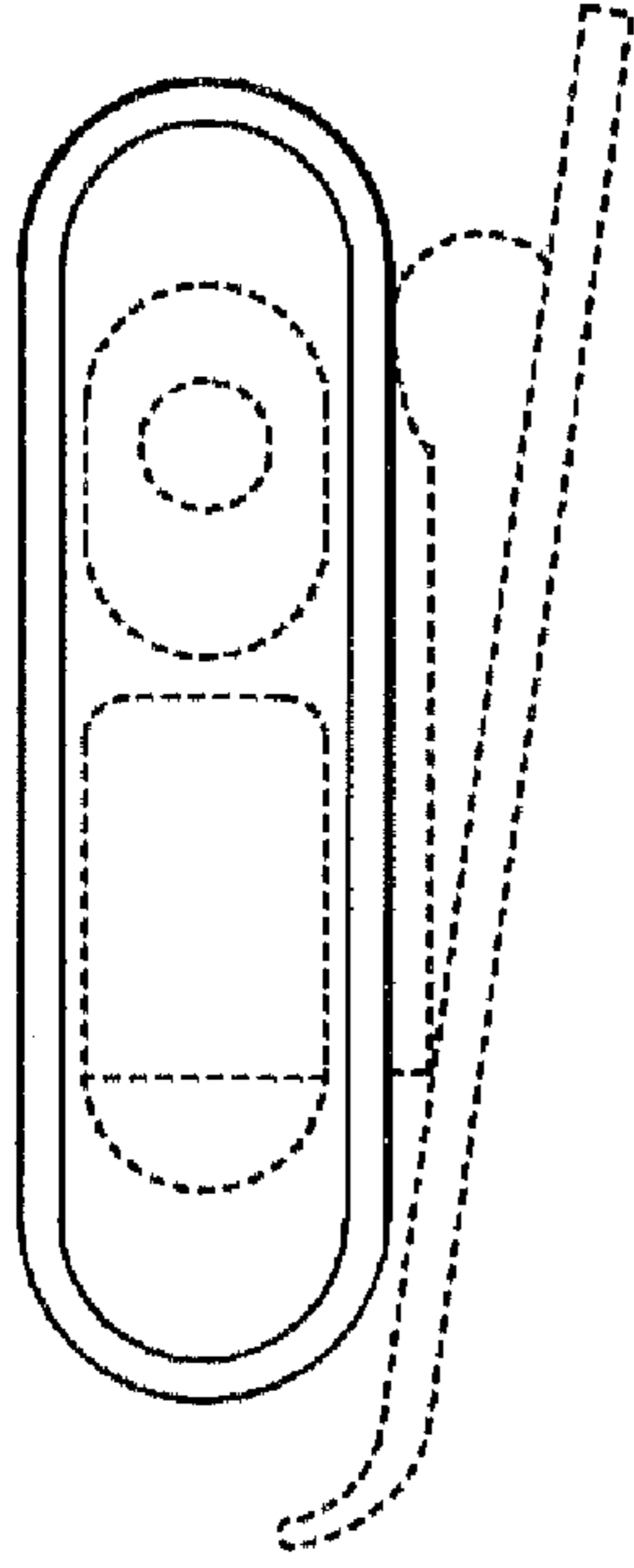


Fig. 5

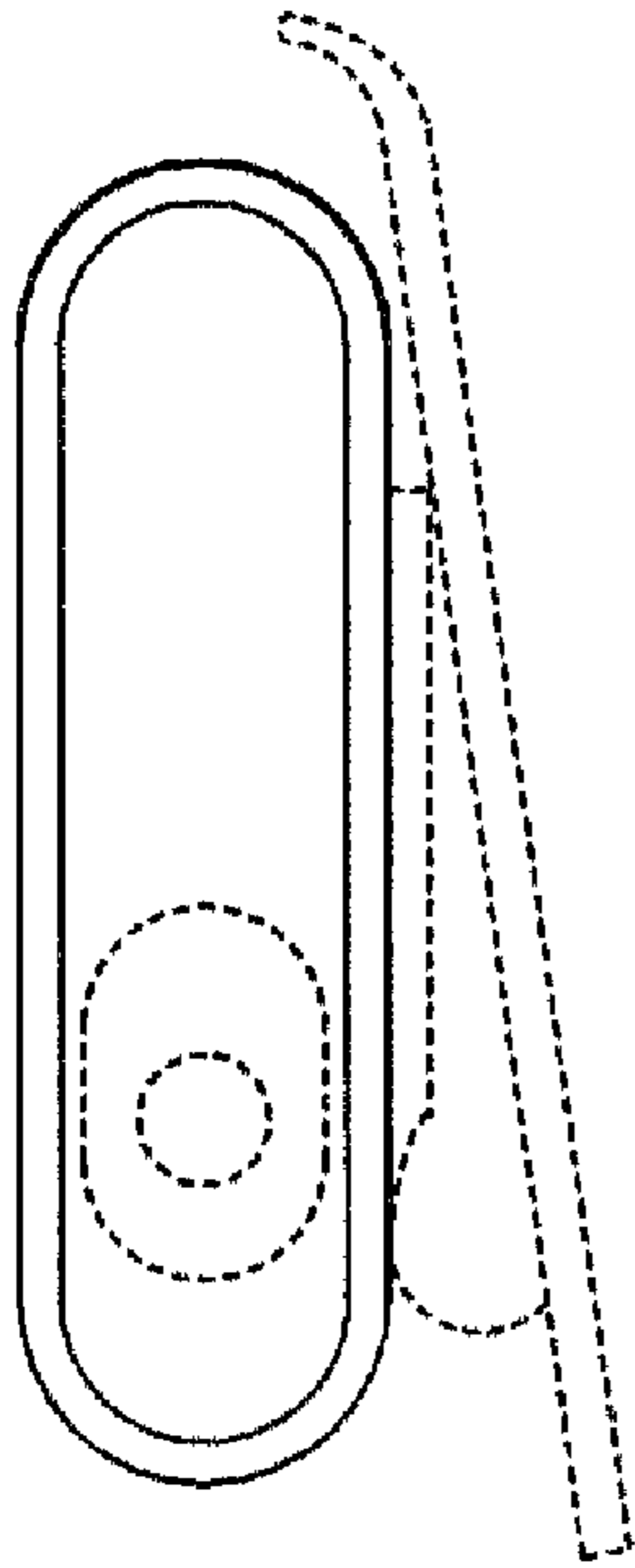


Fig. 4

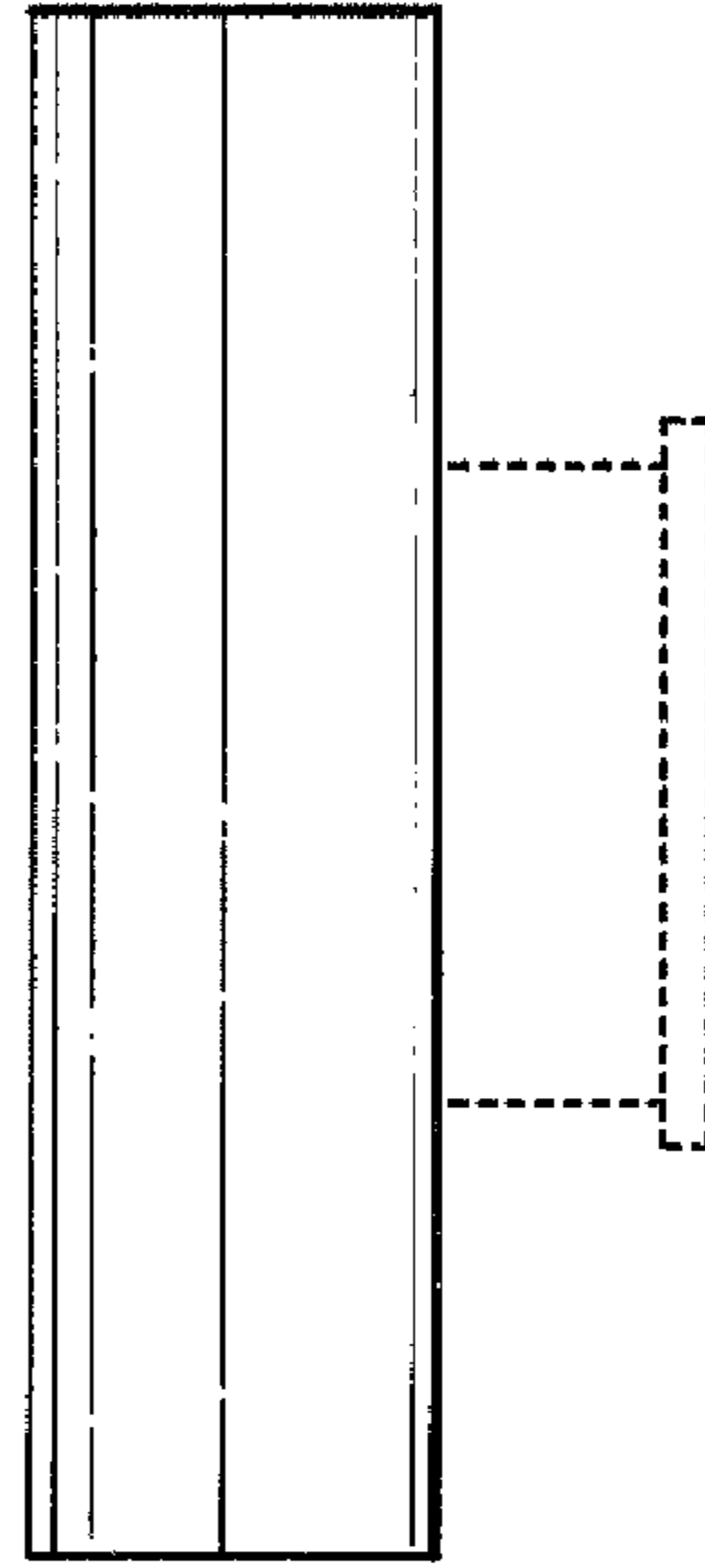


Fig. 7

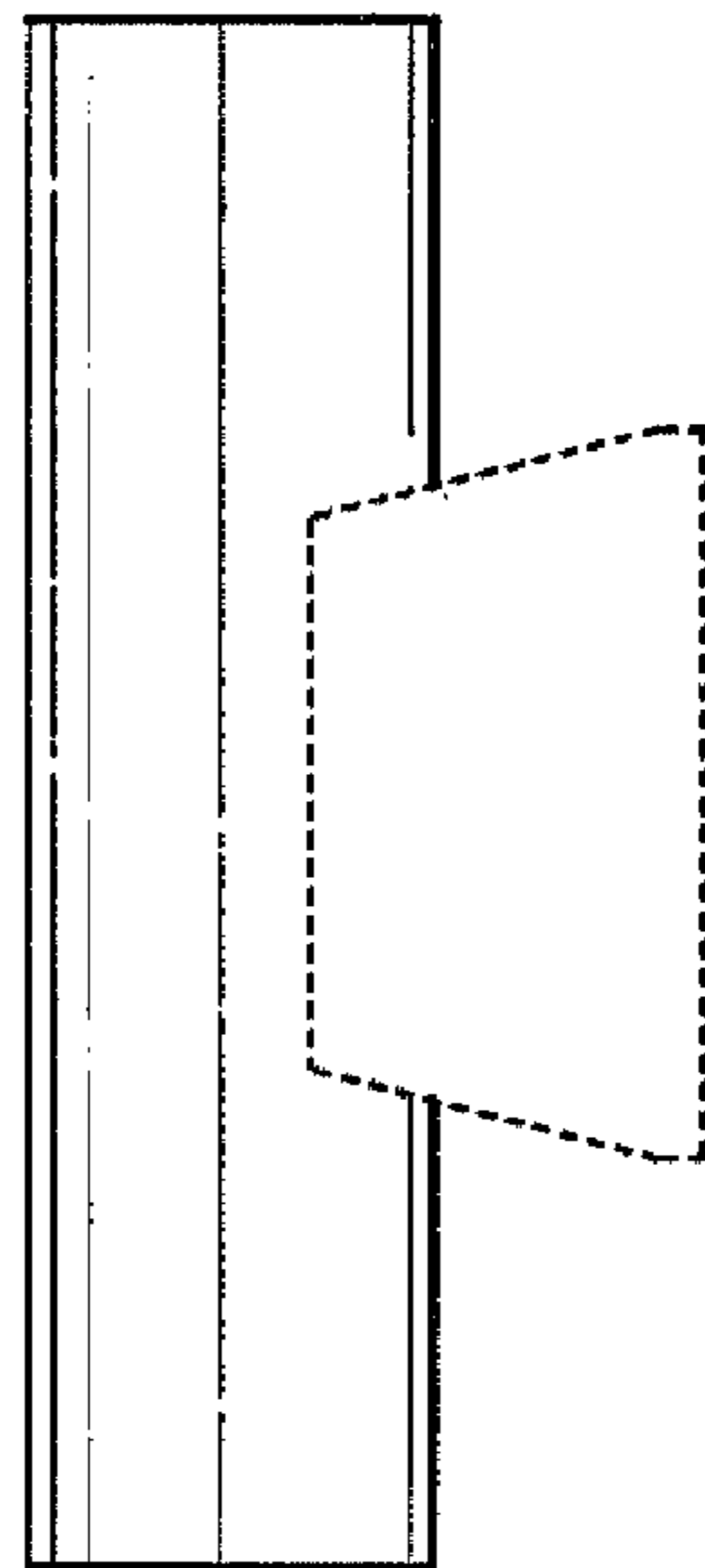


Fig. 6