



US00D671019S

(12) **United States Design Patent**  
**Knight**

(10) **Patent No.:** **US D671,019 S**

(45) **Date of Patent:** **\*\* Nov. 20, 2012**

(54) **DIGITAL METER CASE AND LENS ASSEMBLY**

(76) **Inventor:** **Lee Knight**, Glendale, CA (US)

(\*\*) **Term:** **14 Years**

(21) **Appl. No.:** **29/370,680**

(22) **Filed:** **Aug. 20, 2010**

(51) **LOC (9) Cl.** ..... **10-04**

(52) **U.S. Cl.** ..... **D10/70**

(58) **Field of Classification Search** ..... D10/46,  
D10/70; 340/438; 342/386, 351, 419, 457,  
342/357.2-357.78, 450, 458; 343/702; 345/87,  
345/104, 133, 156, 168, 173, 901-905; 348/180,  
348/184, 315, 739; 364/444, 499; 701/23-28,  
701/400, 408, 409, 213, 214, 29.3, 36

See application file for complete search history.

(56) **References Cited**

U.S. PATENT DOCUMENTS

8,103,402 B2 \* 1/2012 Kozlay ..... 701/29.3  
D659,036 S \* 5/2012 Madsen et al. .... D10/70

\* cited by examiner

*Primary Examiner* — Antoine D Davis

(74) *Attorney, Agent, or Firm* — Francis Law Group

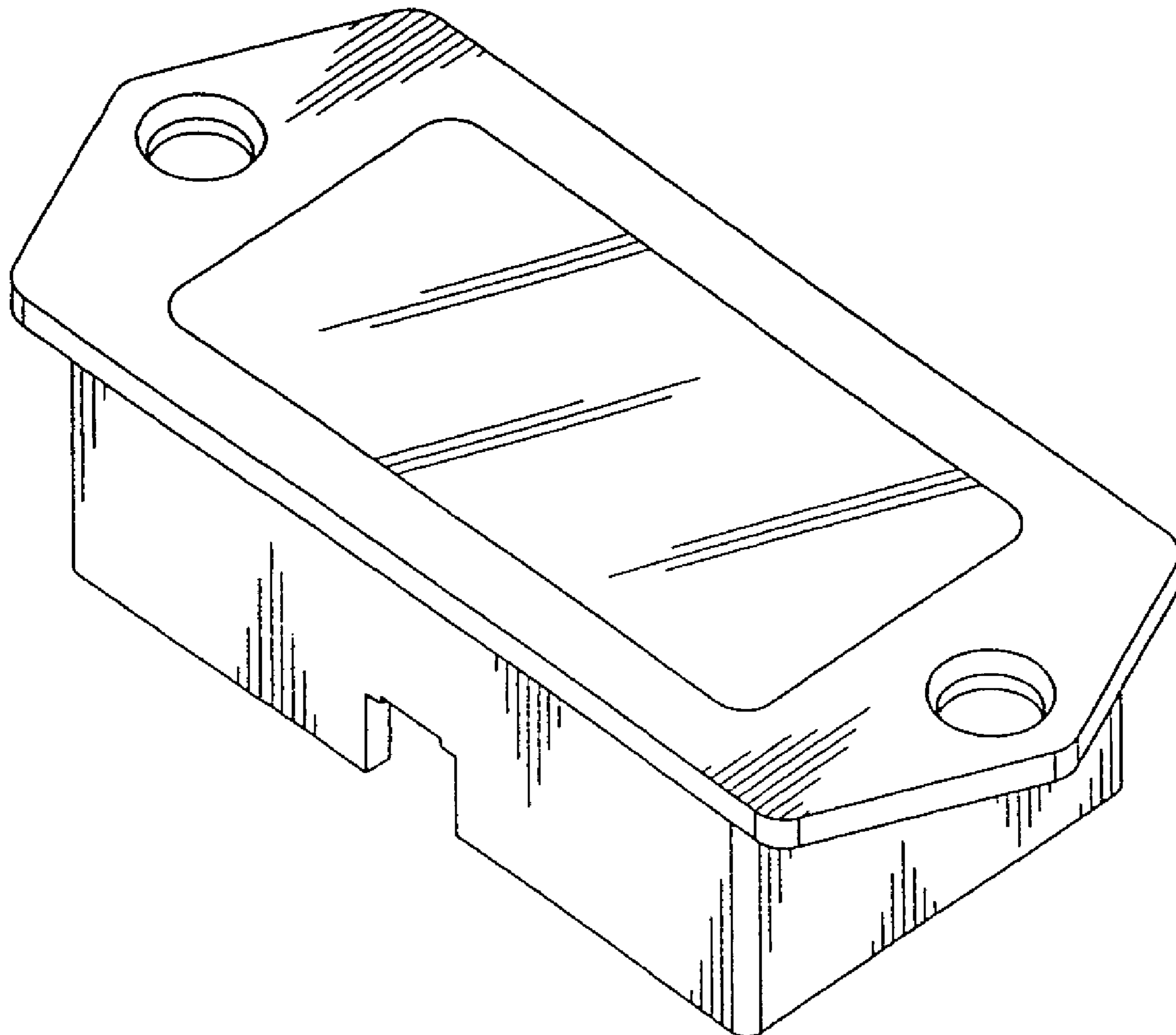
(57) **CLAIM**

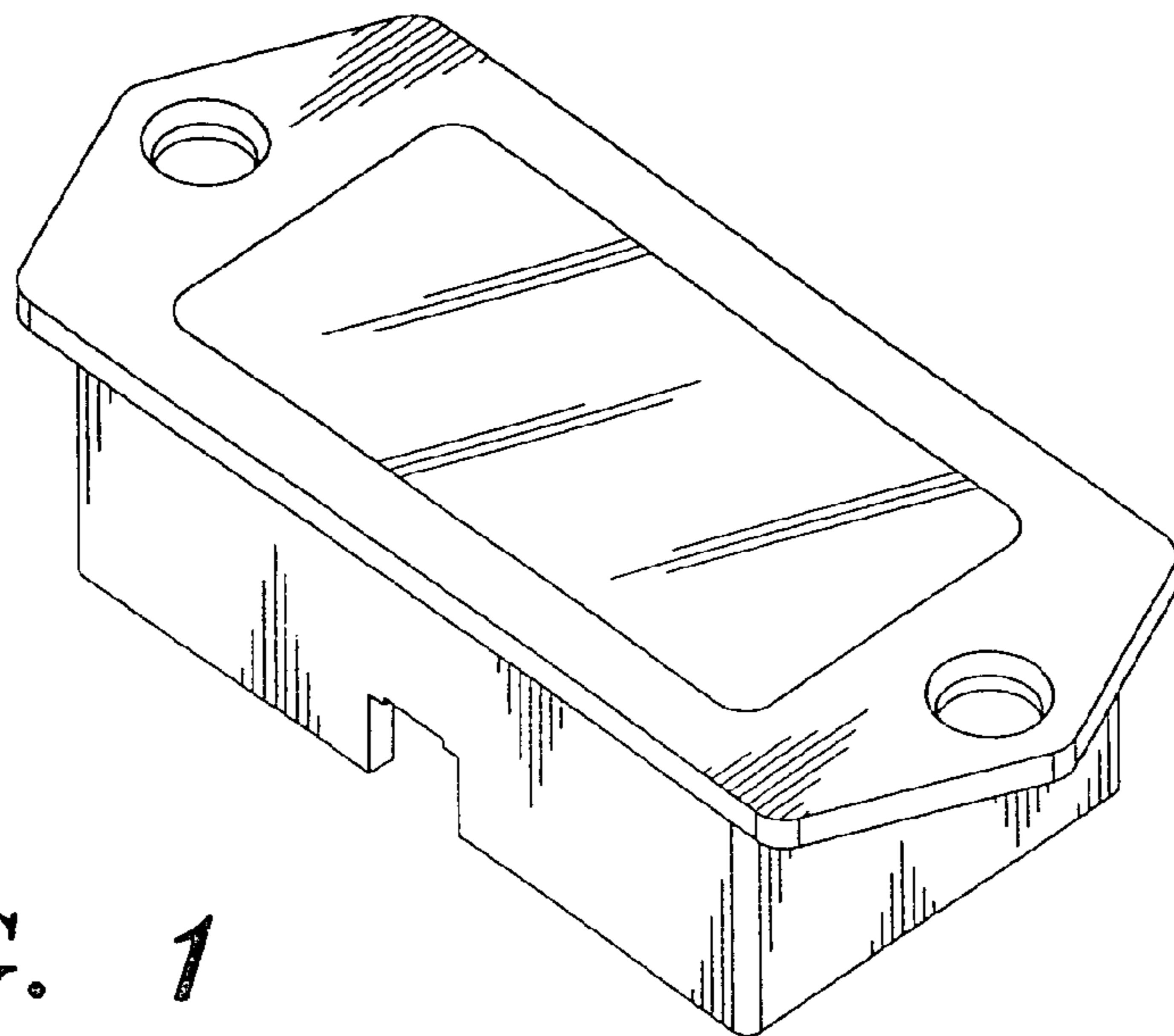
I claim the ornamental design for a digital meter case and lens assembly, as shown and described.

**DESCRIPTION**

FIG. 1 is a perspective view of the digital meter;  
FIG. 2 is a front plan view thereof;  
FIG. 3 is a rear plan view thereof;  
FIG. 4 is a top plan view thereof;  
FIG. 5 is a bottom plan view thereof;  
FIG. 6 is a right side plan view thereof; and,  
FIG. 7 is a left side plan view thereof.

**1 Claim, 2 Drawing Sheets**

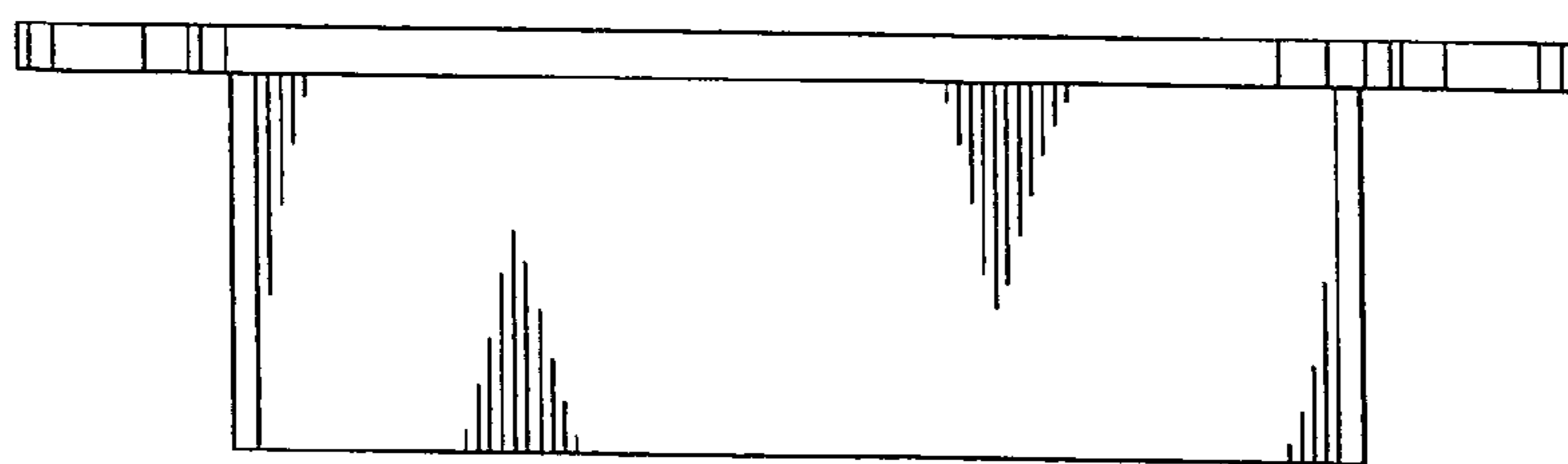




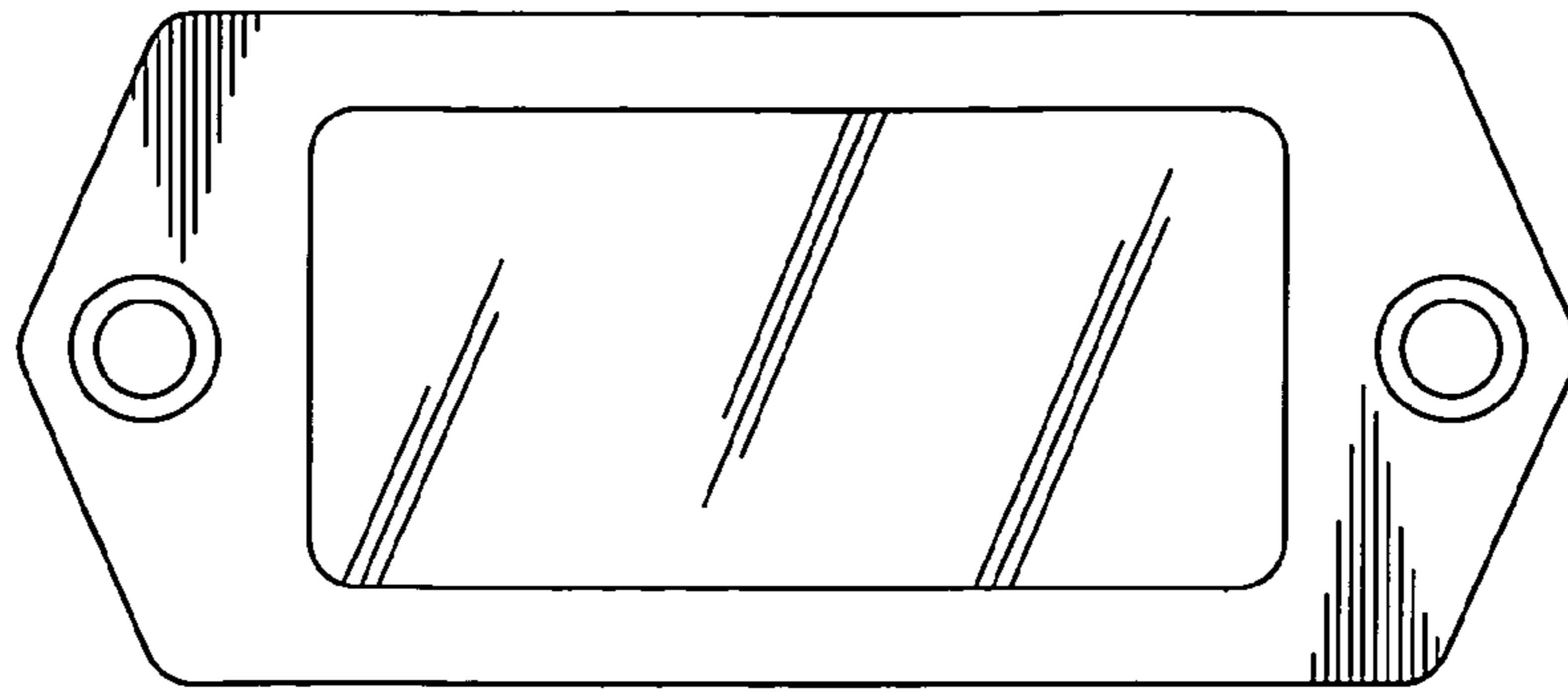
*FIG. 1*



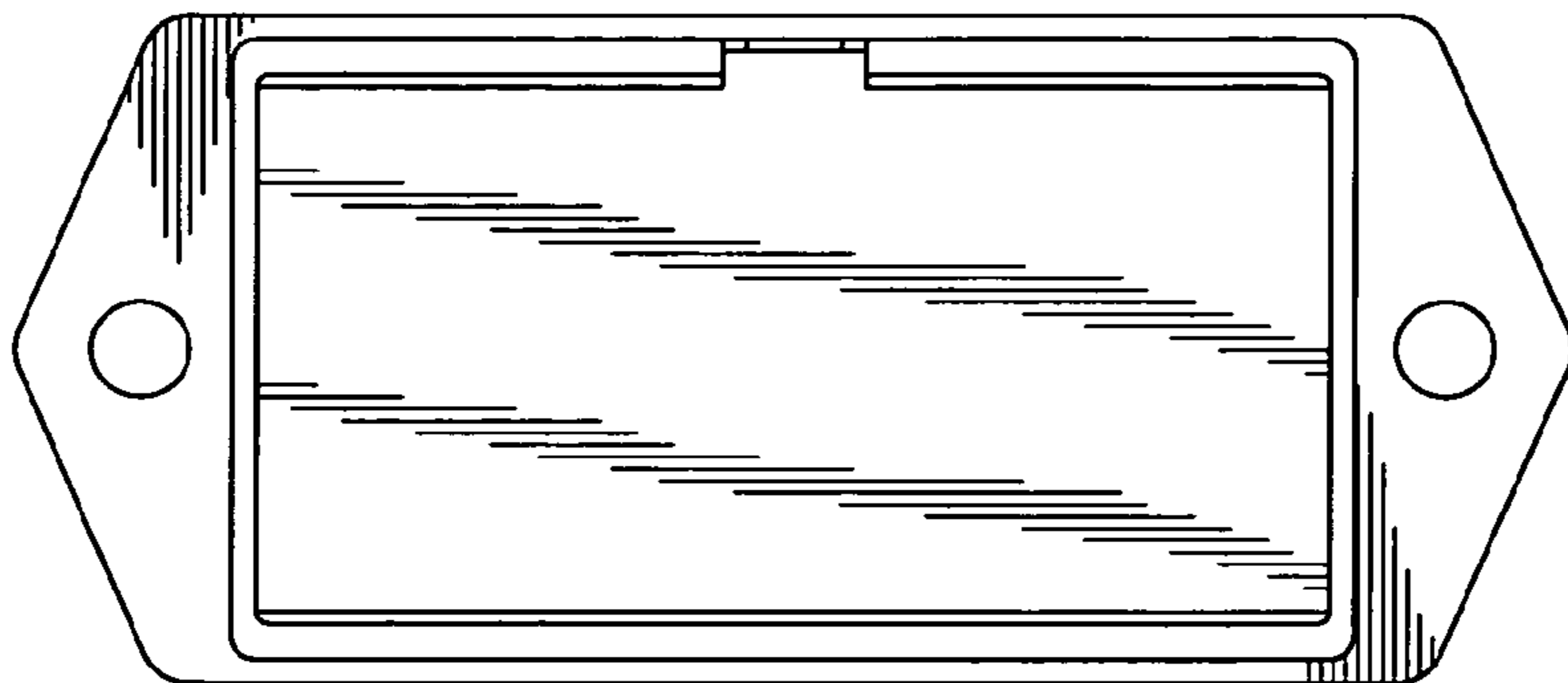
*FIG. 2*



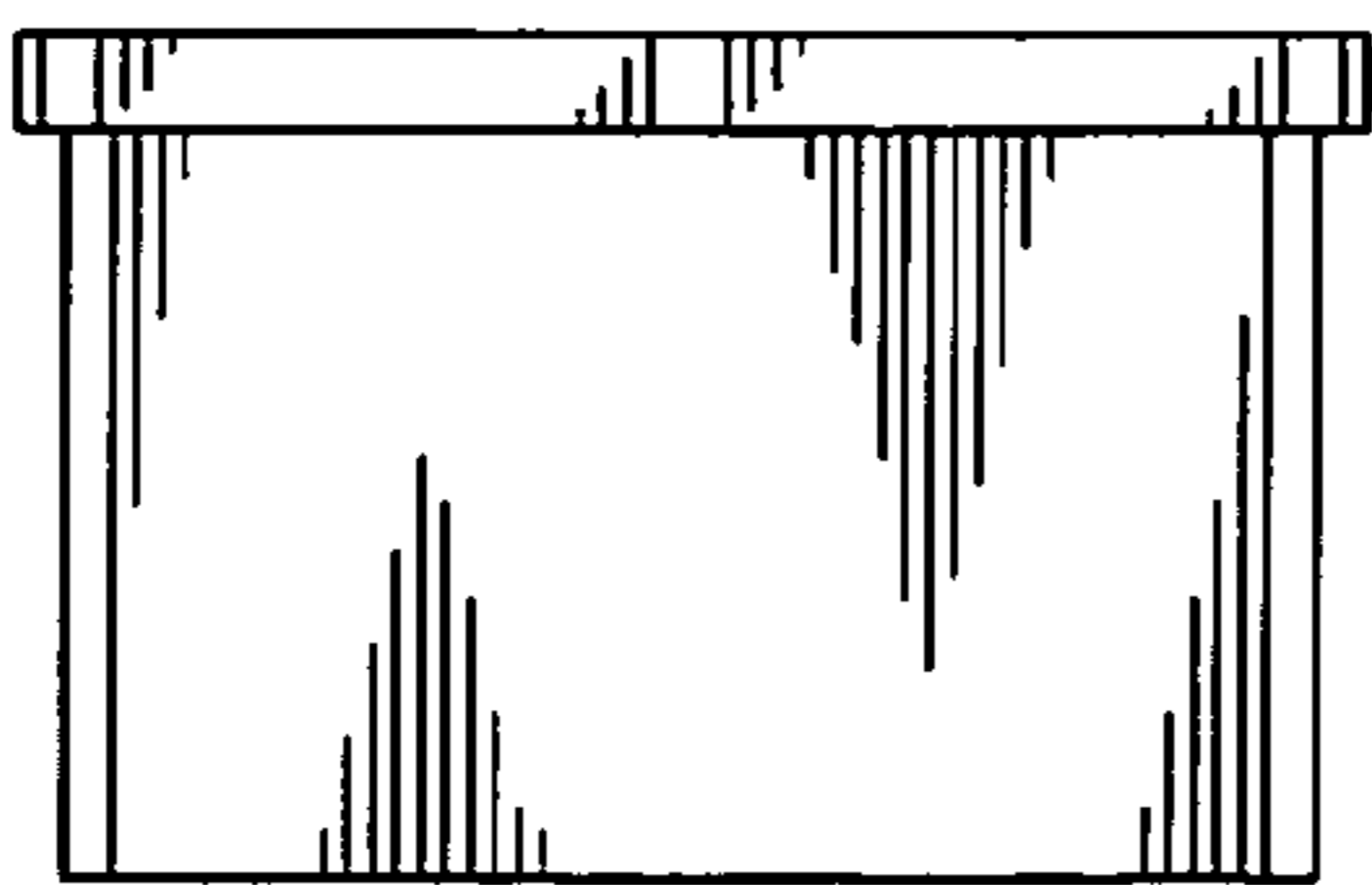
*FIG. 3*



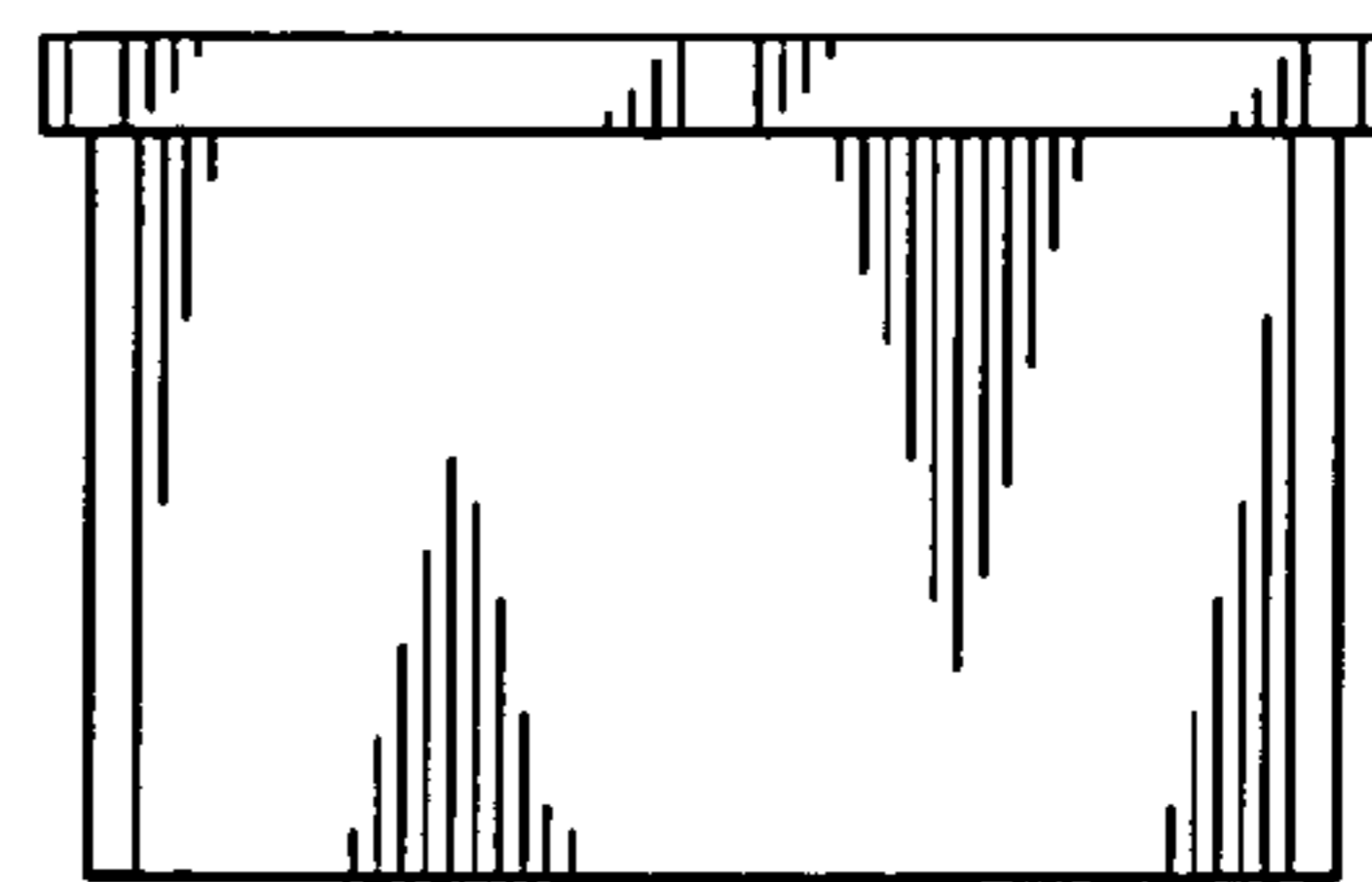
**FIG. 4**



**FIG. 5**



**FIG. 6**



**FIG. 7**