



US00D671018S

(12) **United States Design Patent**  
**Maste**

(10) **Patent No.:** **US D671,018 S**

(45) **Date of Patent:** **\*\* Nov. 20, 2012**

(54) **CONTOUR GAUGE**

(76) Inventor: **Steven C. Maste**, Whitby (CA)

(\*\*) Term: **14 Years**

(21) Appl. No.: **29/371,857**

(22) Filed: **Oct. 31, 2011**

(30) **Foreign Application Priority Data**

Oct. 26, 2011 (CA) ..... 142886

(51) **LOC (9) Cl.** ..... **10-04**

(52) **U.S. Cl.** ..... **D10/65**

(58) **Field of Classification Search** ..... D10/65;  
33/429-447, 451, 460, 470, 474-480  
See application file for complete search history.

(56) **References Cited**

**U.S. PATENT DOCUMENTS**

|           |     |         |              |        |
|-----------|-----|---------|--------------|--------|
| 292,017   | A * | 1/1884  | Jones et al. | 33/478 |
| 640,510   | A * | 1/1900  | Vandevort    | 33/480 |
| 715,550   | A * | 12/1902 | Cary         | 33/480 |
| 1,369,038 | A * | 2/1921  | Macconnell   | 33/480 |
| 2,608,765 | A * | 9/1952  | Doud         | 33/475 |
| 5,836,198 | A * | 11/1998 | Guilford     | 33/474 |

D657,274 S \* 4/2012 Neethling ..... D10/65  
\* cited by examiner

*Primary Examiner* — Antoine D Davis

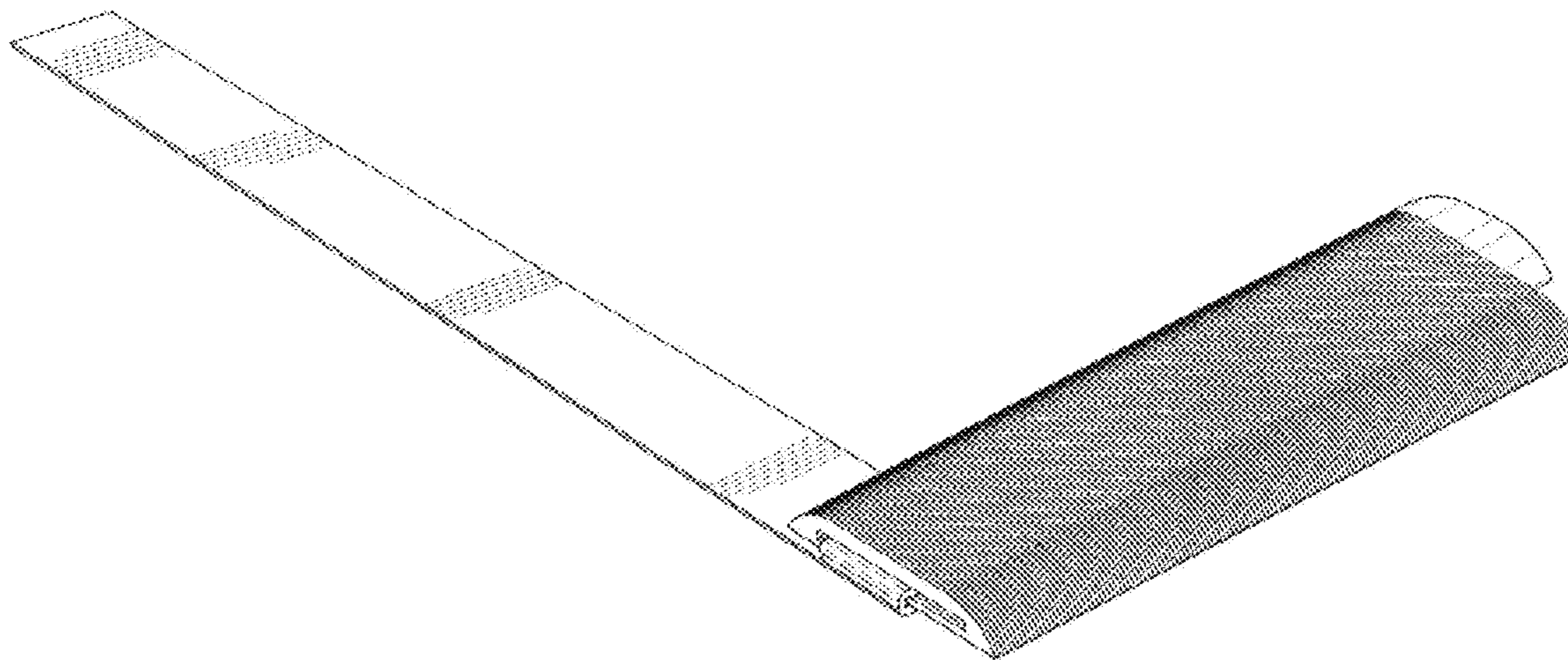
(57) **CLAIM**

I claim the ornamental design for a contour gauge, as shown and described.

**DESCRIPTION**

FIG. 1 is a perspective view taken from the front and one side showing my new design;  
FIG. 2 is a front elevational view thereof;  
FIG. 3 is a rear elevational view thereof;  
FIG. 4 is a left side view thereof;  
FIG. 5 is a right side elevational view thereof;  
FIG. 6 is a top elevational view thereof;  
FIG. 7 is a bottom elevational view thereof;  
FIG. 8 is a perspective view taken from the front and one side showing a modified embodiment of the design in FIGS. 1 to 7;  
FIG. 9 is a front elevational view thereof;  
FIG. 10 is a rear elevational view thereof;  
FIG. 11 is a left side elevational view thereof;  
FIG. 12 is a right side elevational view thereof;  
FIG. 13 is a top elevational view thereof; and,  
FIG. 14 is a bottom elevational view thereof.

**1 Claim, 8 Drawing Sheets**



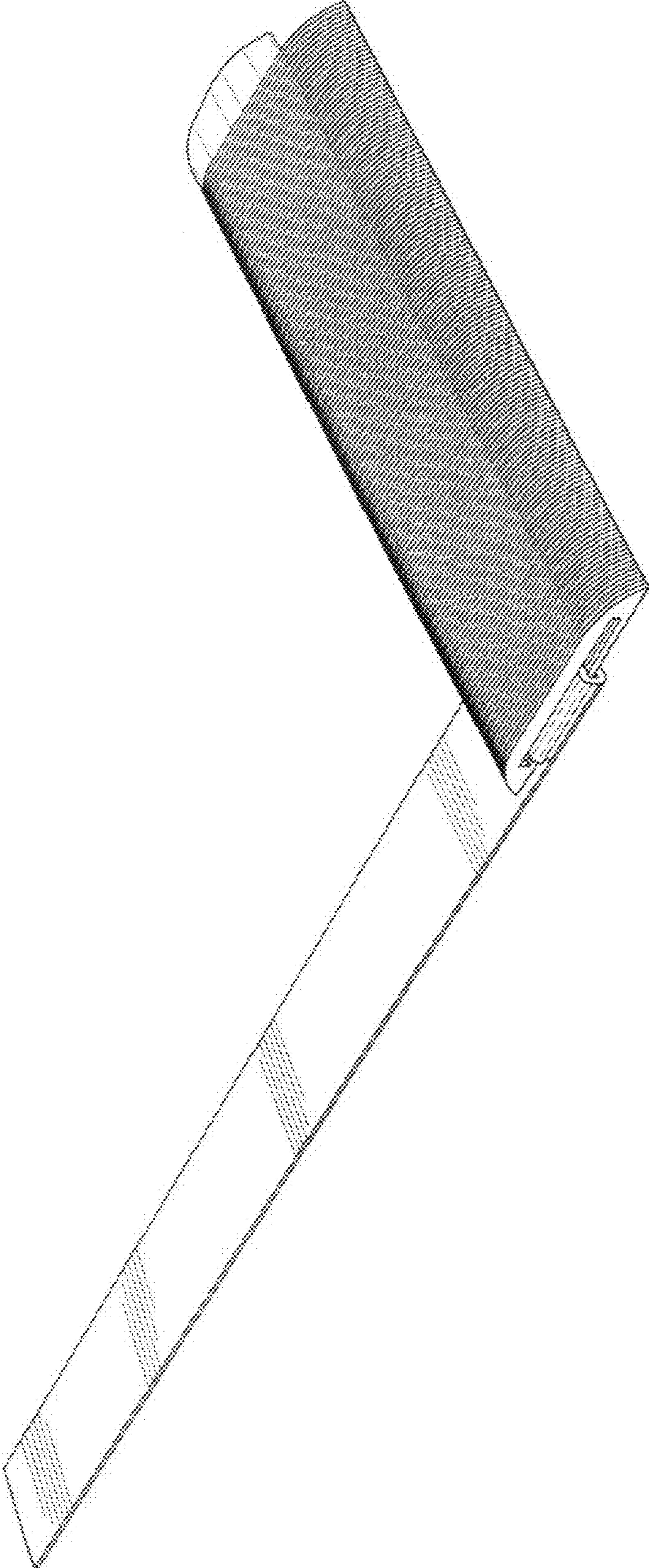


Fig. 1



Fig. 2

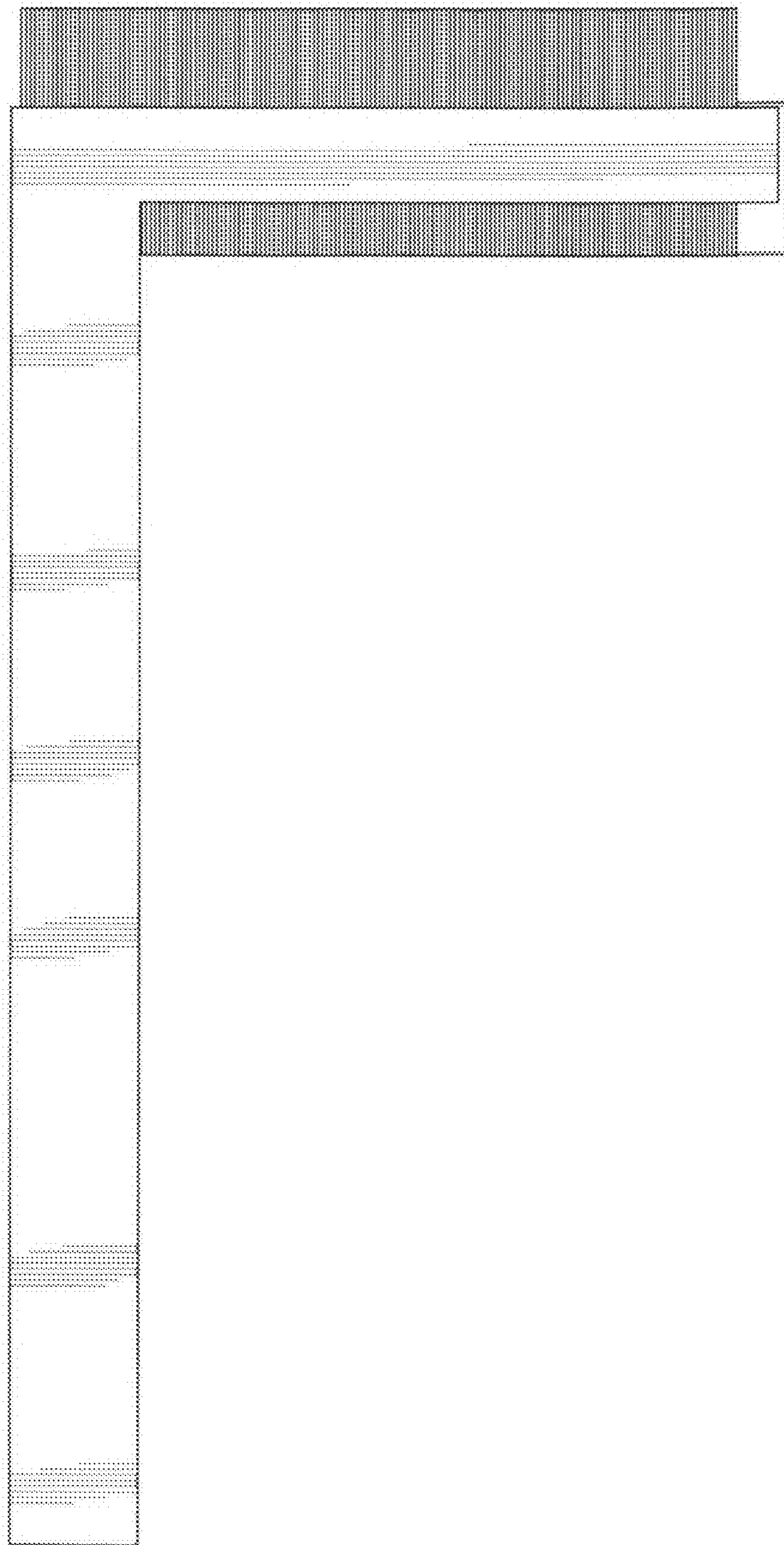


Fig. 3

Fig. 4



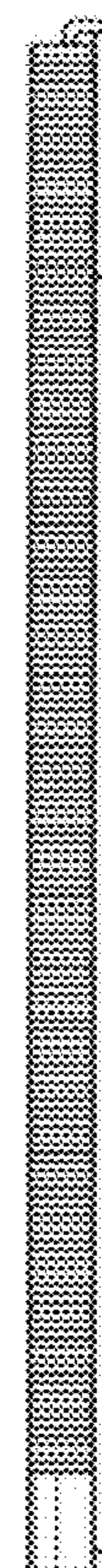
Fig. 5



Fig. 6



Fig. 7



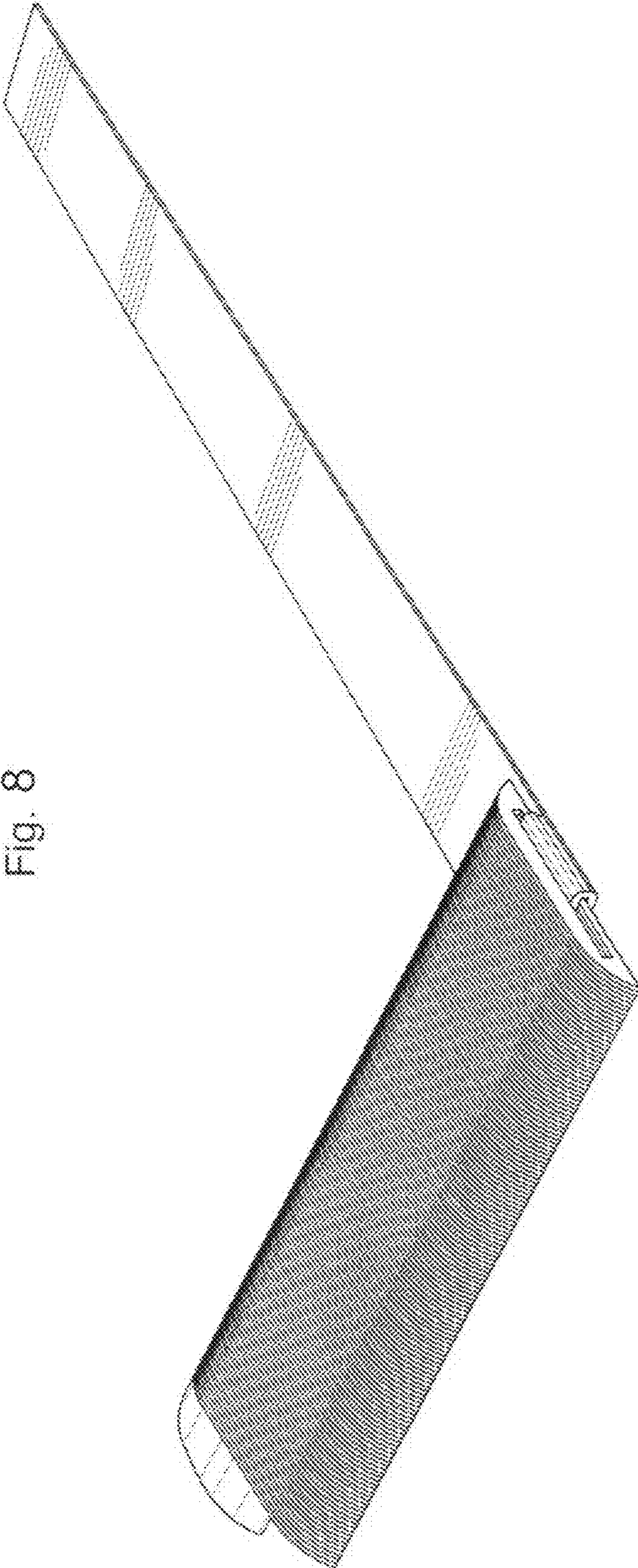


Fig. 8



Fig. 9

Fig. 10

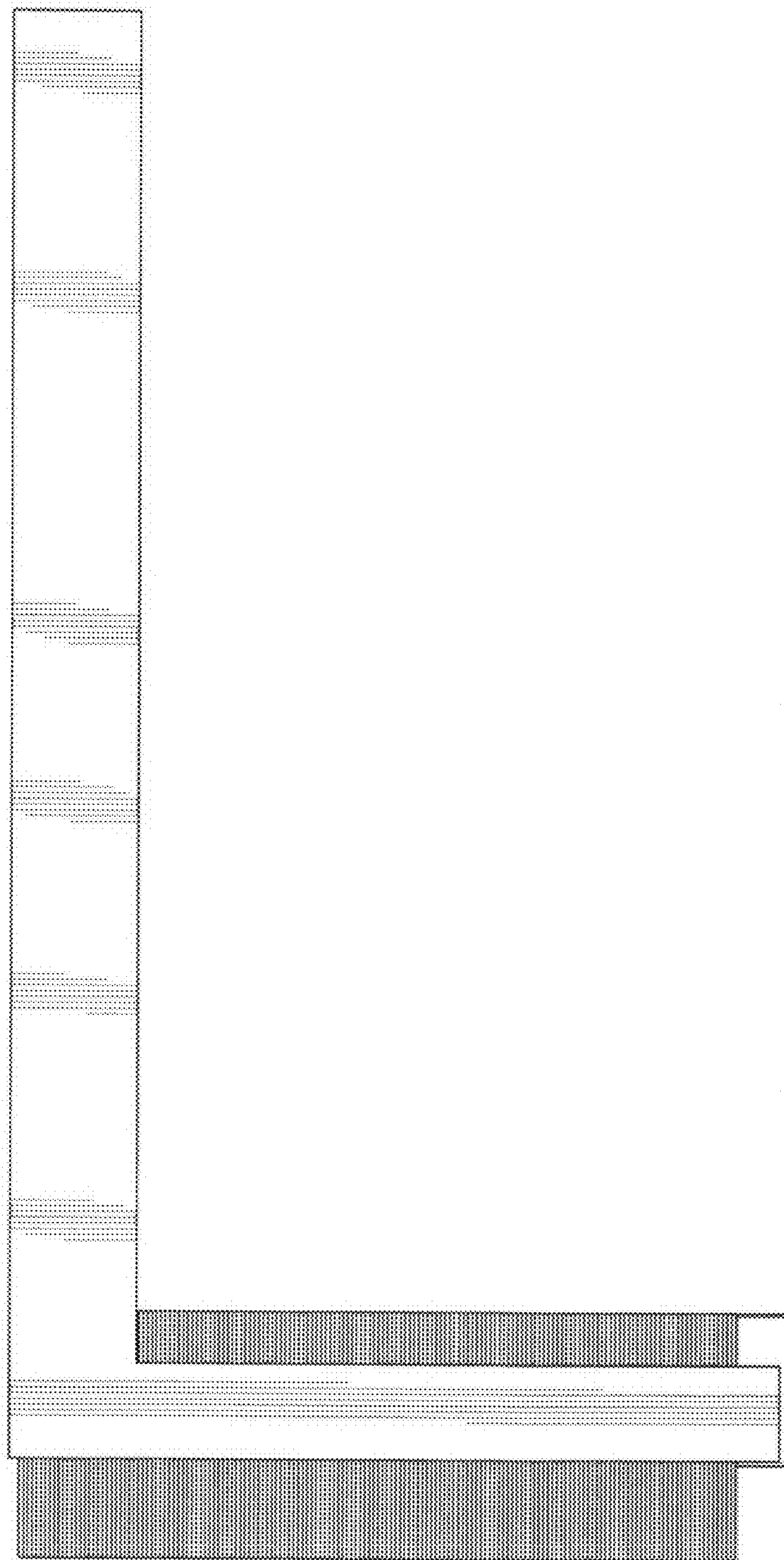




Fig. 11

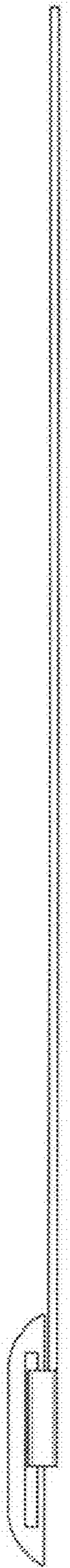


Fig. 12



Fig. 13

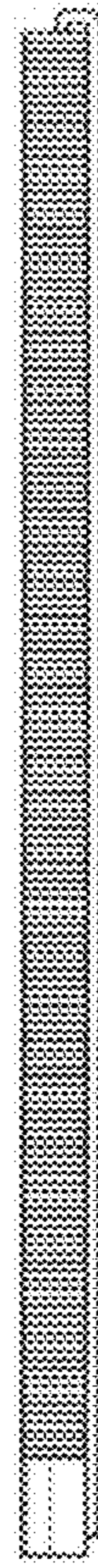


Fig. 14

