



US00D671001S

(12) **United States Design Patent**
Wisniewski et al.

(10) **Patent No.:** **US D671,001 S**
(45) **Date of Patent:** **** Nov. 20, 2012**

- (54) **PARTIAL LID DISPENSING CLOSURE**
- (75) Inventors: **John Wisniewski**, Wauwatosa, WI (US);
Susan DeGroot, Pewaukee, WI (US)
- (73) Assignee: **AptarGroup, Inc.**, Crystal Lake, IL
(US)
- (**) Term: **14 Years**
- (21) Appl. No.: **29/416,874**
- (22) Filed: **Mar. 28, 2012**

Related U.S. Application Data

- (63) Continuation of application No. 29/387,300, filed on
Mar. 11, 2011.
- (51) **LOC (9) Cl.** **09-07**
- (52) **U.S. Cl.** **D9/449; D9/453**
- (58) **Field of Classification Search** D9/454,
D9/453, 449, 447, 442, 440, 435; D7/392.1;
222/556, 521, 494, 492; 220/837, 835, 820,
220/811, 810, 375, 260, 254.7, 254.3; 215/322,
215/321, 306, 305, 237, 235; 206/540, 539,
206/538, 216
See application file for complete search history.

(56) **References Cited**

U.S. PATENT DOCUMENTS

| | | | |
|--------------|---------|----------------|--------|
| D357,863 S | 5/1995 | Picozza | |
| D398,852 S | 9/1998 | Gross | |
| D399,744 S | 10/1998 | Gross | |
| D519,029 S | 4/2006 | Hicks et al. | |
| D531,032 S * | 10/2006 | Zaidman et al. | D9/449 |
| D537,342 S * | 2/2007 | Smith et al. | D9/449 |
| D538,161 S | 3/2007 | Smith et al. | |

| | | | |
|-------------------|---------|---------------------|---------|
| D576,489 S | 9/2008 | Mazurkiewicz et al. | |
| D627,641 S * | 11/2010 | Mazurkiewicz et al. | D9/449 |
| D650,672 S * | 12/2011 | Krallmann | D9/449 |
| 8,141,731 B2 * | 3/2012 | Mazurkiewicz et al. | 215/237 |
| 2007/0278254 A1 * | 12/2007 | Wisniewski | 222/480 |
| 2009/0294447 A1 | 12/2009 | Mazurkiewicz et al. | |

OTHER PUBLICATIONS

Single sheet entitled "124-05 Stock 2 1/8" Partial Lid Seaquist Closures," Feb. 7, 2008 showing front and rear isometric views of a closure sold in the U.S.

* cited by examiner

Primary Examiner — Susan Bennett Hattan

(74) *Attorney, Agent, or Firm* — Wood, Phillips, Katz, Clark & Mortimer

(57) **CLAIM**

The ornamental design for a partial lid dispensing closure, as shown and described.

DESCRIPTION

FIG. 1 is an isometric view, taken from the front and right side, of a partial lid dispensing closure, and FIG. 1 shows my new design with the lid in the closed position as the lid would be initially positioned with the closure body for installation of the closure on a container (not shown) for initial purchase by a consumer;

FIG. 2 is an isometric view thereof as taken from the rear and left side;

FIG. 3 is a top plan view thereof;

FIG. 4 is a front elevational view thereof;

FIG. 5 is a right side elevational view thereof;

FIG. 6 is a left side elevational view thereof; and,

FIG. 7 is a rear elevational view thereof.

1 Claim, 3 Drawing Sheets

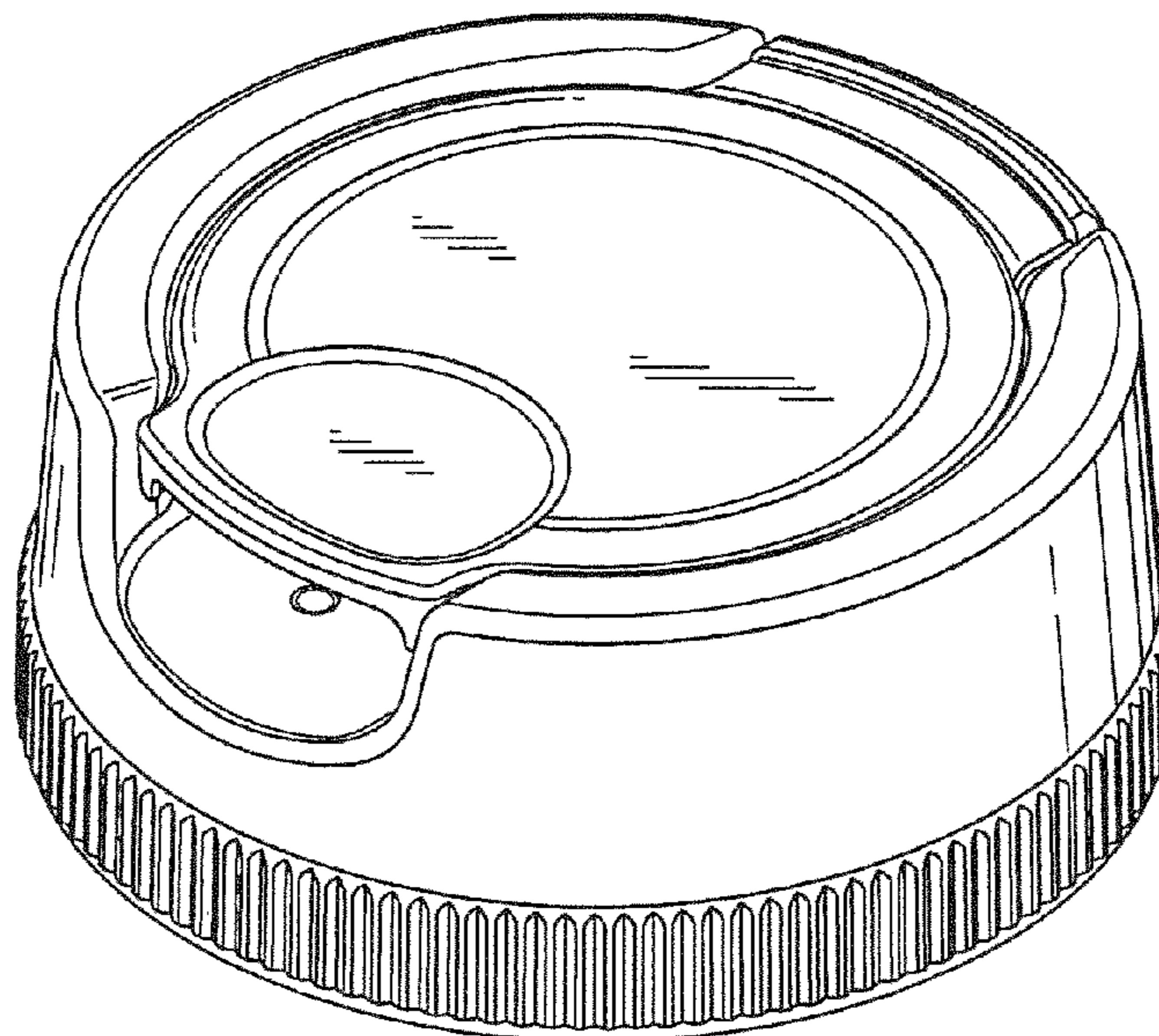


FIG. 1

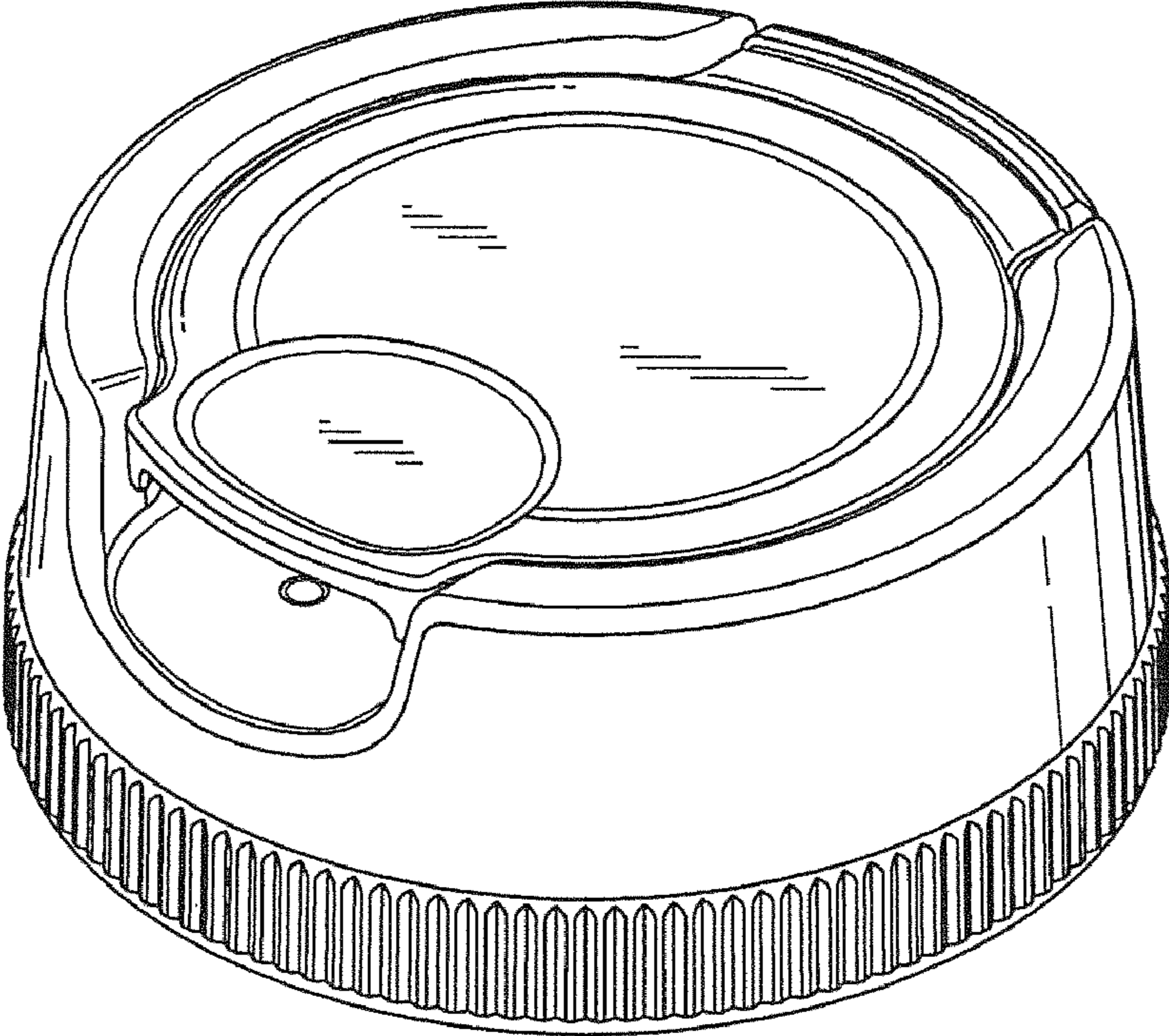
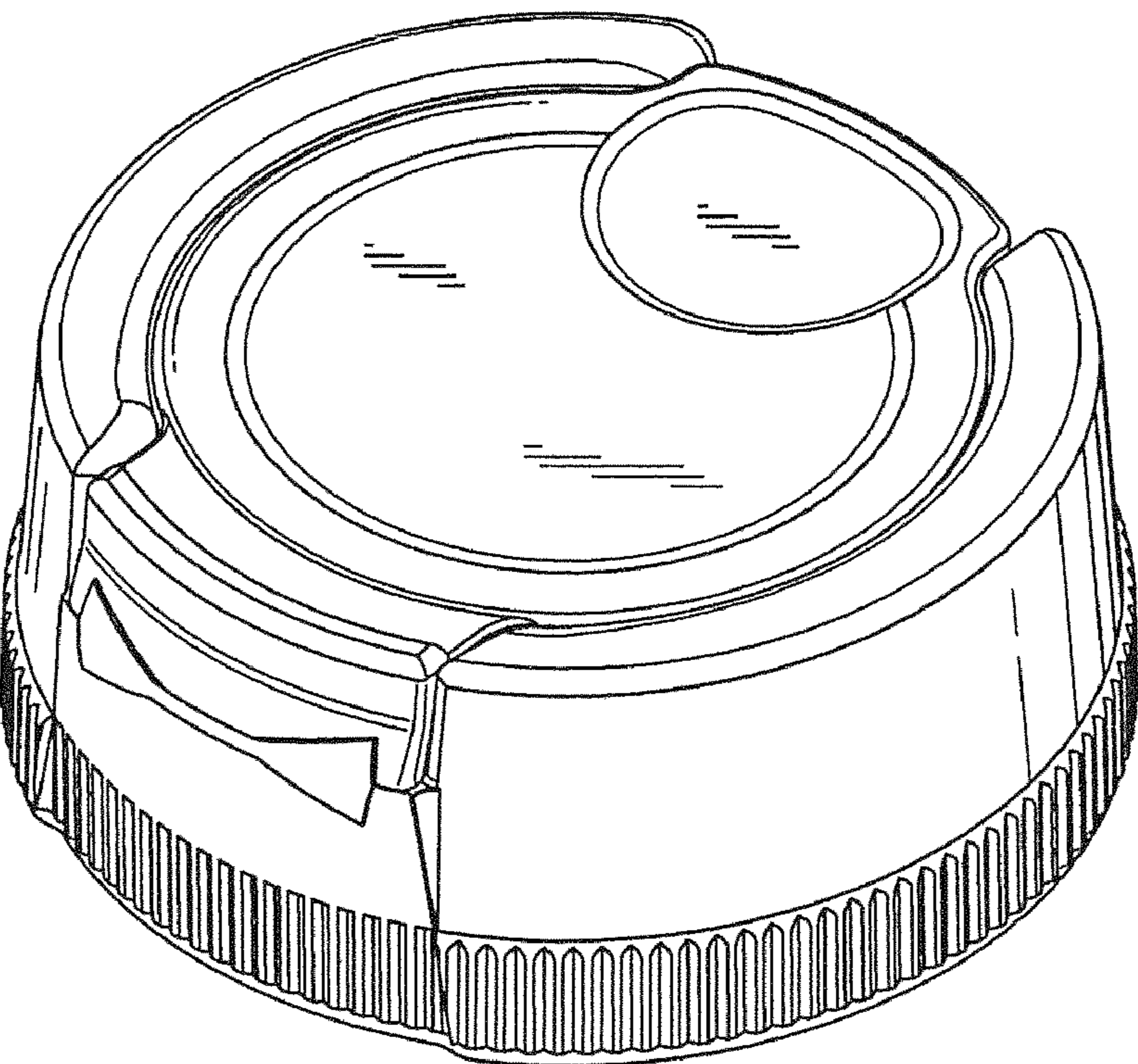


FIG. 2



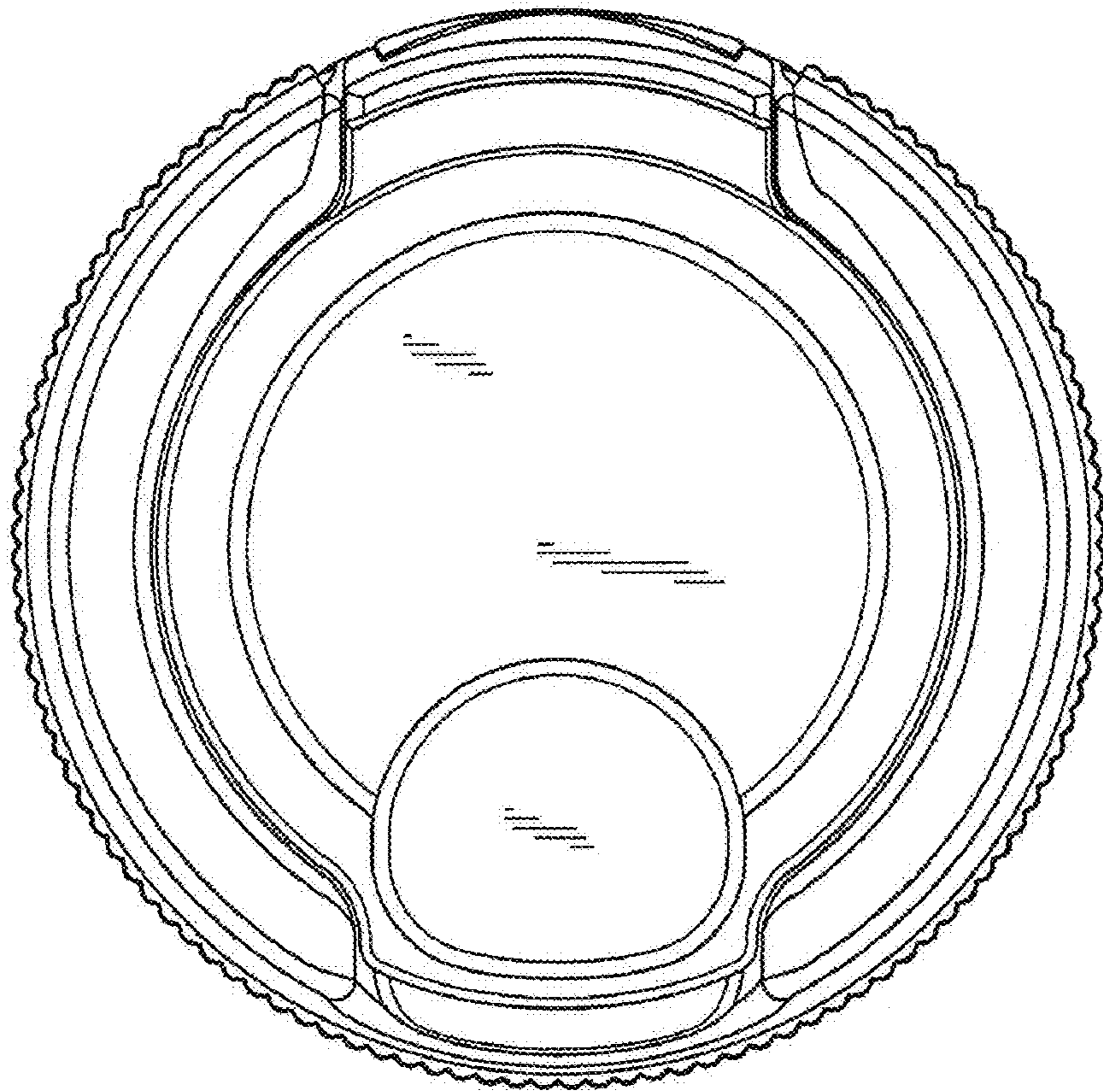


FIG. 3

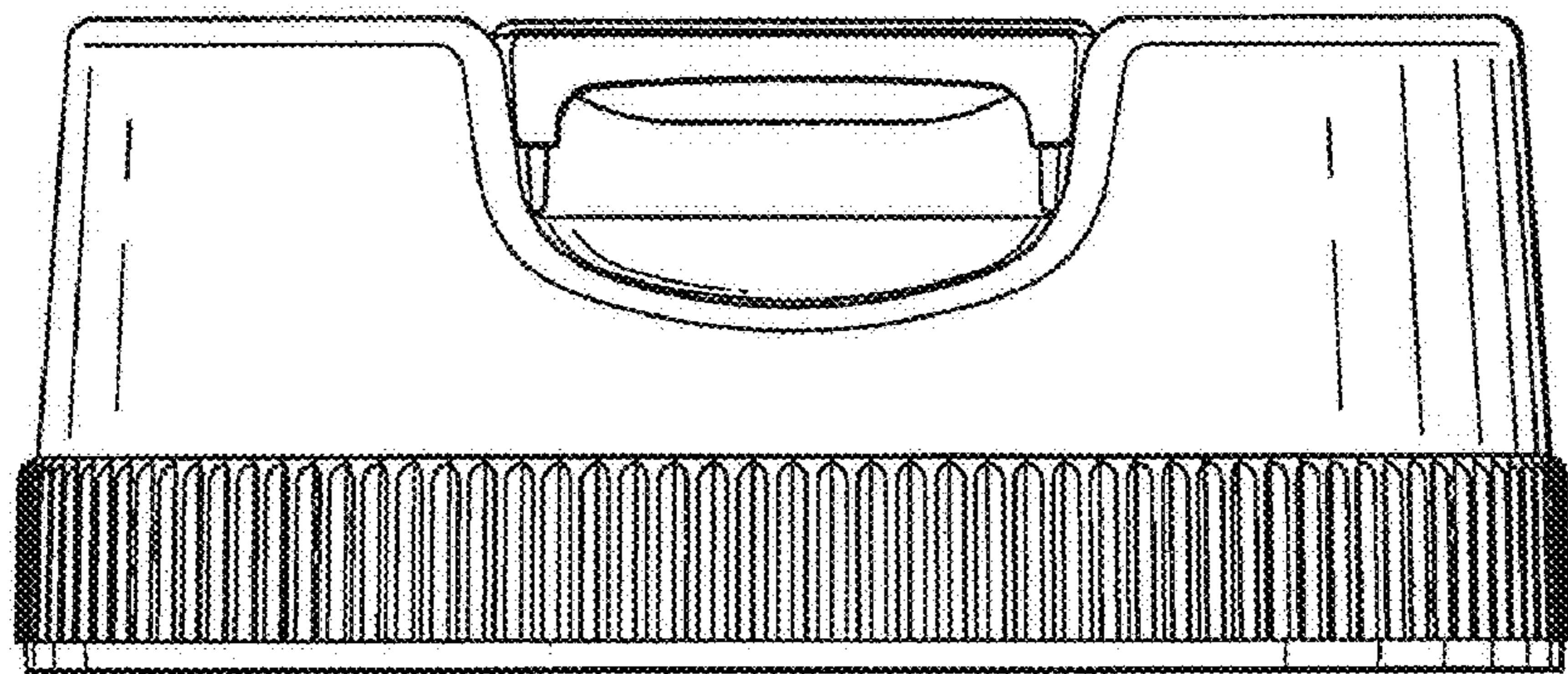


FIG. 4

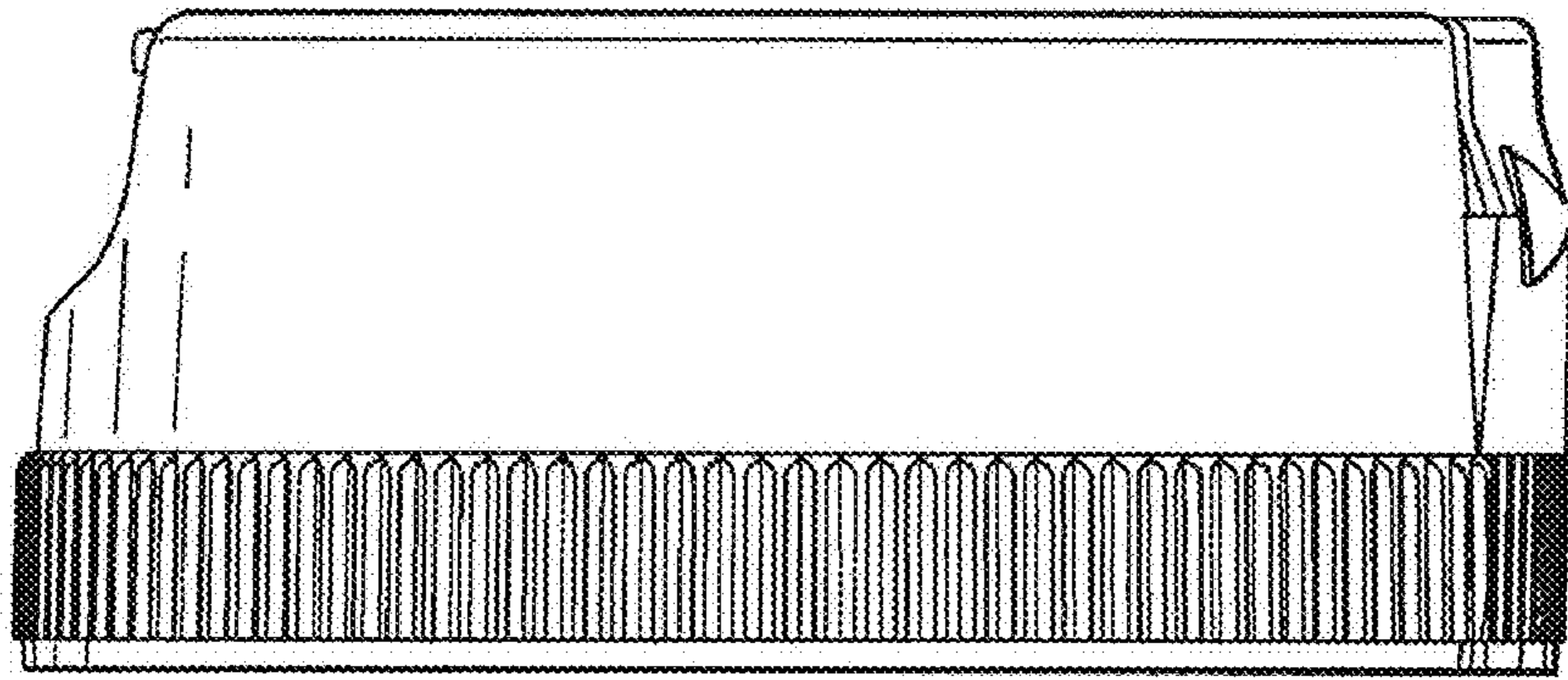


FIG. 5

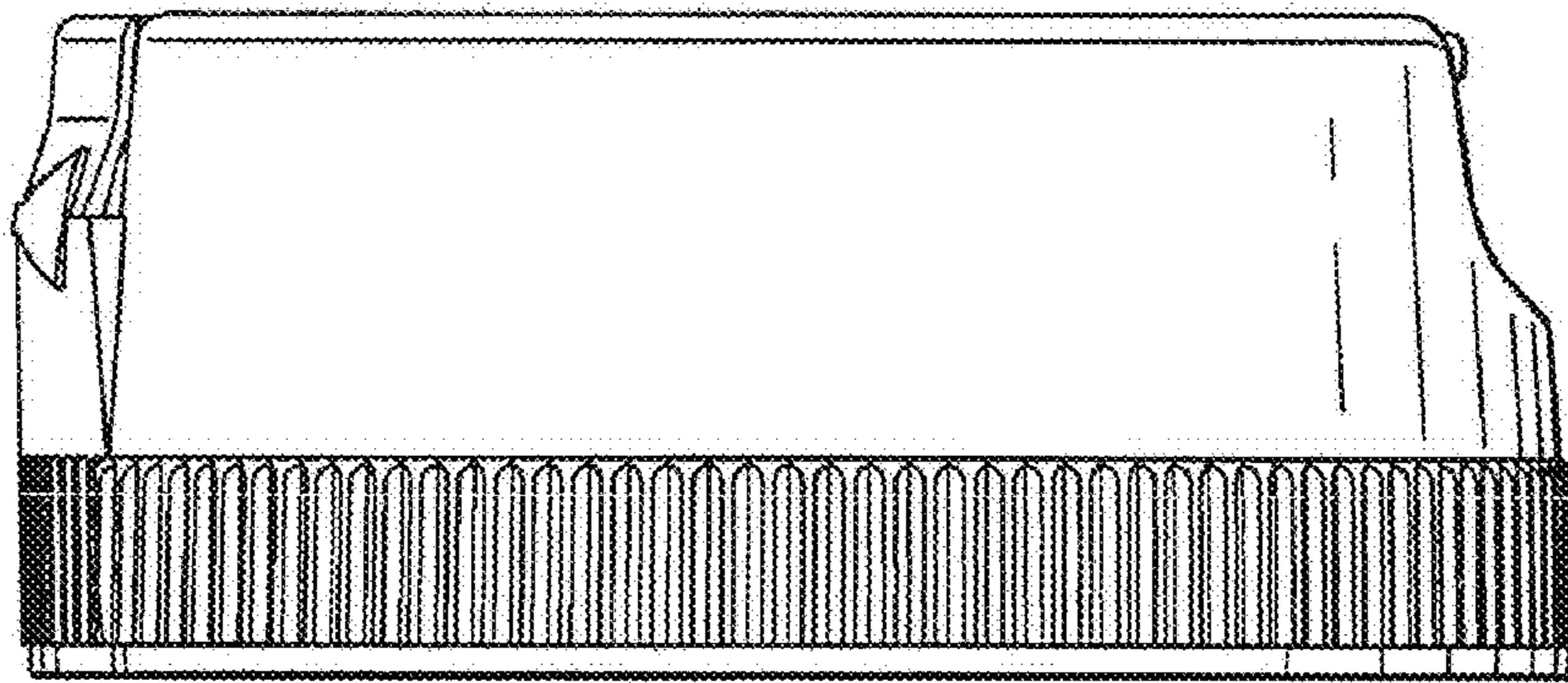


FIG. 6

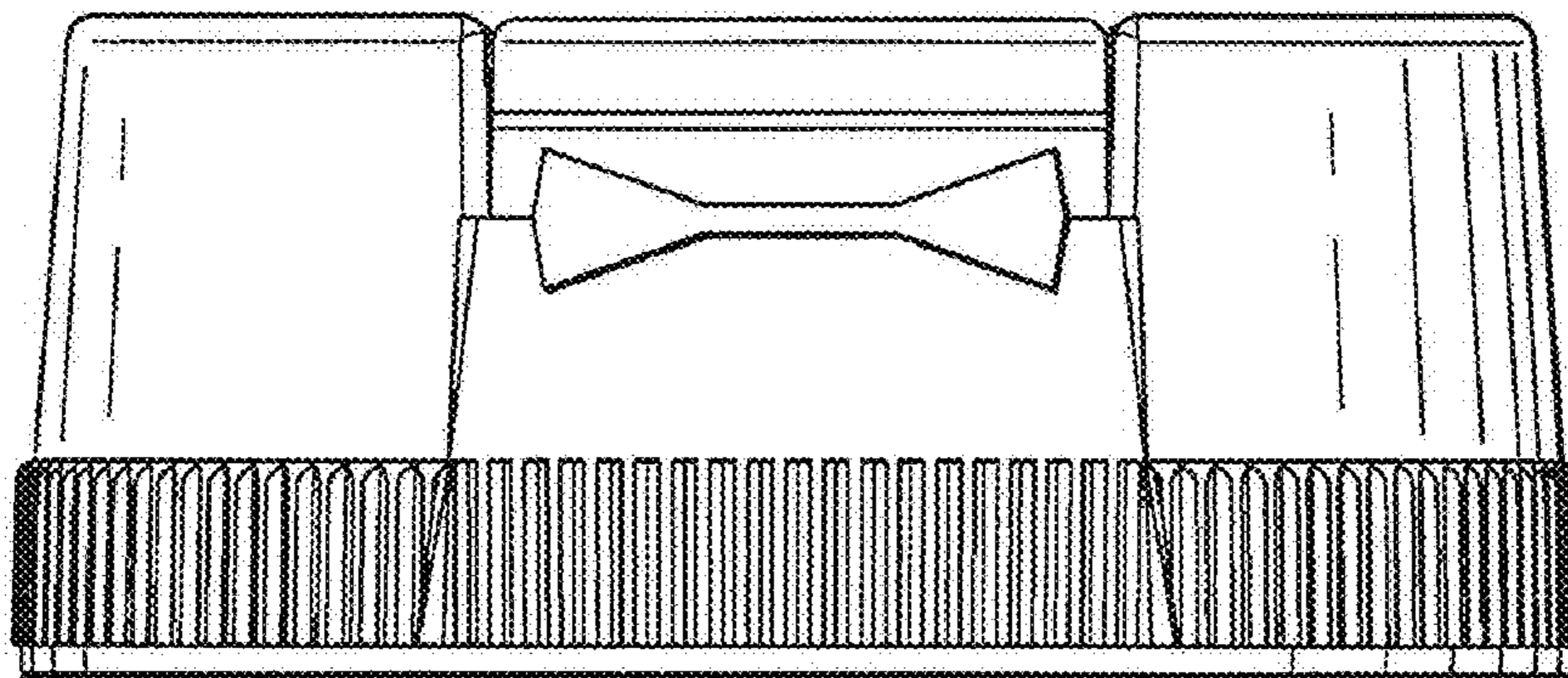


FIG. 7