



US00D671000S

(12) **United States Design Patent**  
**O'Neill et al.**

(10) **Patent No.:** **US D671,000 S**

(45) **Date of Patent:** **\*\* Nov. 20, 2012**

(54) **CONTAINER FOR CLEANSING WIPES**

6,702,109 B1 3/2004 Tabuchi  
D529,802 S \* 10/2006 Jelich et al. .... D9/449  
D530,204 S \* 10/2006 Zaidman ..... D9/449

(75) Inventors: **Kilian John O'Neill**, Konigstein (DE);  
**Mark Francis Olivier**, Mason, OH  
(US); **Philip Andrew Sawin**, Cincinnati,  
OH (US)

(Continued)

**FOREIGN PATENT DOCUMENTS**

(73) Assignee: **The Procter & Gamble Company**,  
Cincinnati, OH (US)

EP 0 447 636 A1 9/1991

(Continued)

(\*\*) Term: **14 Years**

**OTHER PUBLICATIONS**

(21) Appl. No.: **29/392,187**

PCT International Search Report PCT/IB2008/051347, dated Sep. 1,  
2008, 7 pages.

(22) Filed: **May 18, 2011**

(Continued)

**Related U.S. Application Data**

*Primary Examiner* — Susan Bennett Hattan

(63) Continuation of application No. 11/784,813, filed on  
Apr. 10, 2007.

(74) *Attorney, Agent, or Firm* — Amy M. Foust

(51) **LOC (9) Cl.** ..... **09-07**

(52) **U.S. Cl.** ..... **D9/449**

(58) **Field of Classification Search** ..... D9/758,  
D9/756, 456, 454, 449, 448, 435, 434; 239/333;  
222/383.1, 321.8, 207, 182, 153.06–153.13;  
220/519; 206/597, 509, 508, 427, 199, 144  
See application file for complete search history.

(57) **CLAIM**

The ornamental design for a container for cleansing wipes, as  
shown and described.

**DESCRIPTION**

(56) **References Cited**

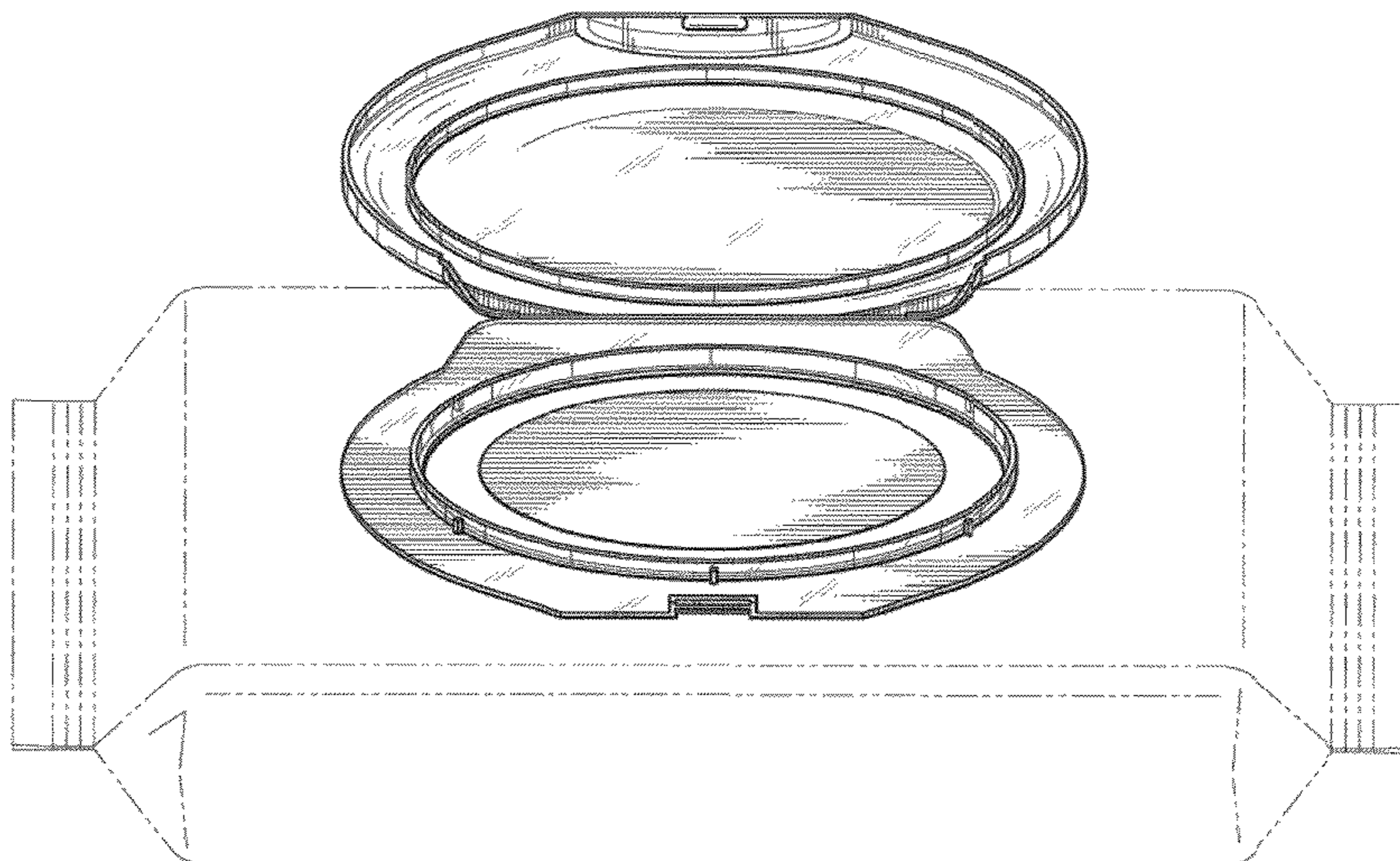
**U.S. PATENT DOCUMENTS**

4,156,493 A 5/1979 Julius  
4,185,754 A 1/1980 Julius  
5,284,363 A 2/1994 Gartner et al.  
5,484,101 A 1/1996 Hedberg  
5,531,325 A 7/1996 Deflander et al.  
5,945,145 A 8/1999 Narsutis et al.  
D414,637 S 10/1999 Amundson et al.  
D443,451 S 6/2001 Buck et al.  
D449,528 S 10/2001 Buck et al.

FIG. 1 is a perspective view of our new design with the lid  
open;  
FIG. 2 is a top elevational view thereof with the lid open;  
FIG. 3 is a rear elevational view thereof with the lid closed;  
FIG. 4 is a front elevational view thereof with the lid closed;  
FIG. 5 is a bottom elevational view thereof with the lid open;  
FIG. 6 is a right side elevational view thereof with the lid  
open;  
FIG. 7 is a left side elevational view thereof with the lid open;  
and,  
FIG. 8 is a perspective view thereof with both the lid and a  
surface closure open.

The broken lines in the drawings depict environmental sub-  
ject matter only and form no part of the claimed design.

**1 Claim, 8 Drawing Sheets**



# US D671,000 S

Page 2

---

## U.S. PATENT DOCUMENTS

D538,160 S \* 3/2007 Liebe et al. .... D9/449  
D548,080 S \* 8/2007 Brown et al. .... D9/449  
D576,875 S \* 9/2008 Steiger et al. .... D9/449  
D589,796 S \* 4/2009 McGeough ..... D9/449  
D602,354 S \* 10/2009 Dibnah et al. .... D9/449  
D608,196 S \* 1/2010 Beilke ..... D9/449  
D629,309 S \* 12/2010 Stewart ..... D9/734  
2005/0011906 A1 1/2005 Buck et al.  
2005/0150785 A1 7/2005 Julius et al.  
2005/0189367 A1 9/2005 Chasid et al.  
2006/0285780 A1 12/2006 Knoerzer et al.  
2007/0023436 A1 2/2007 Sierra-Gomez et al.  
2007/0095709 A1 5/2007 Saito et al.

## FOREIGN PATENT DOCUMENTS

EP 1 780 145 A 5/2007  
WO WO 93/17933 A 9/1993  
WO WO 00/64755 A2 11/2000  
WO WO 2006/132761 A 12/2006

## OTHER PUBLICATIONS

U.S. Appl. No. 11/784,813, Apr. 10, 2007, Kilian John O'Neill.

\* cited by examiner

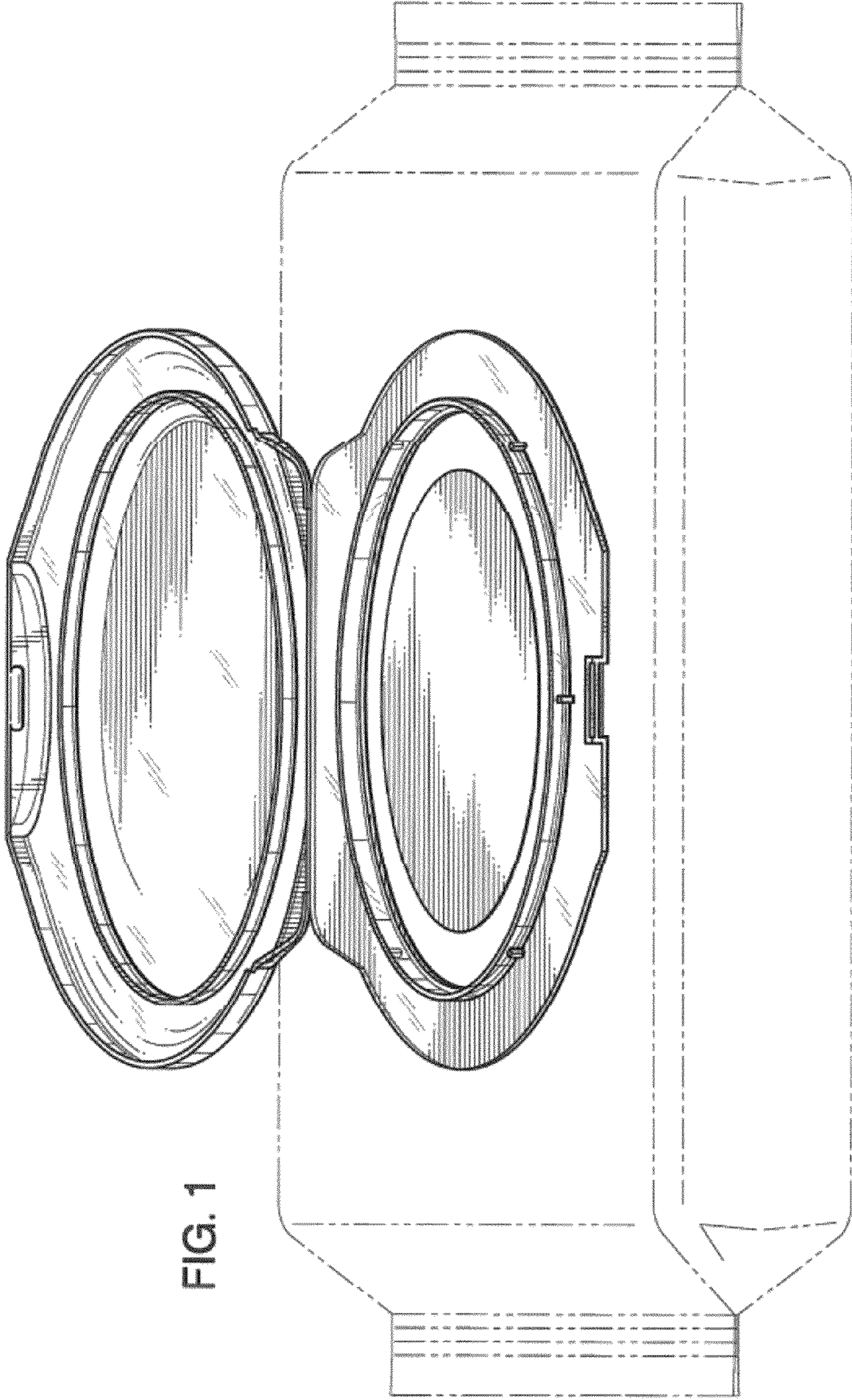
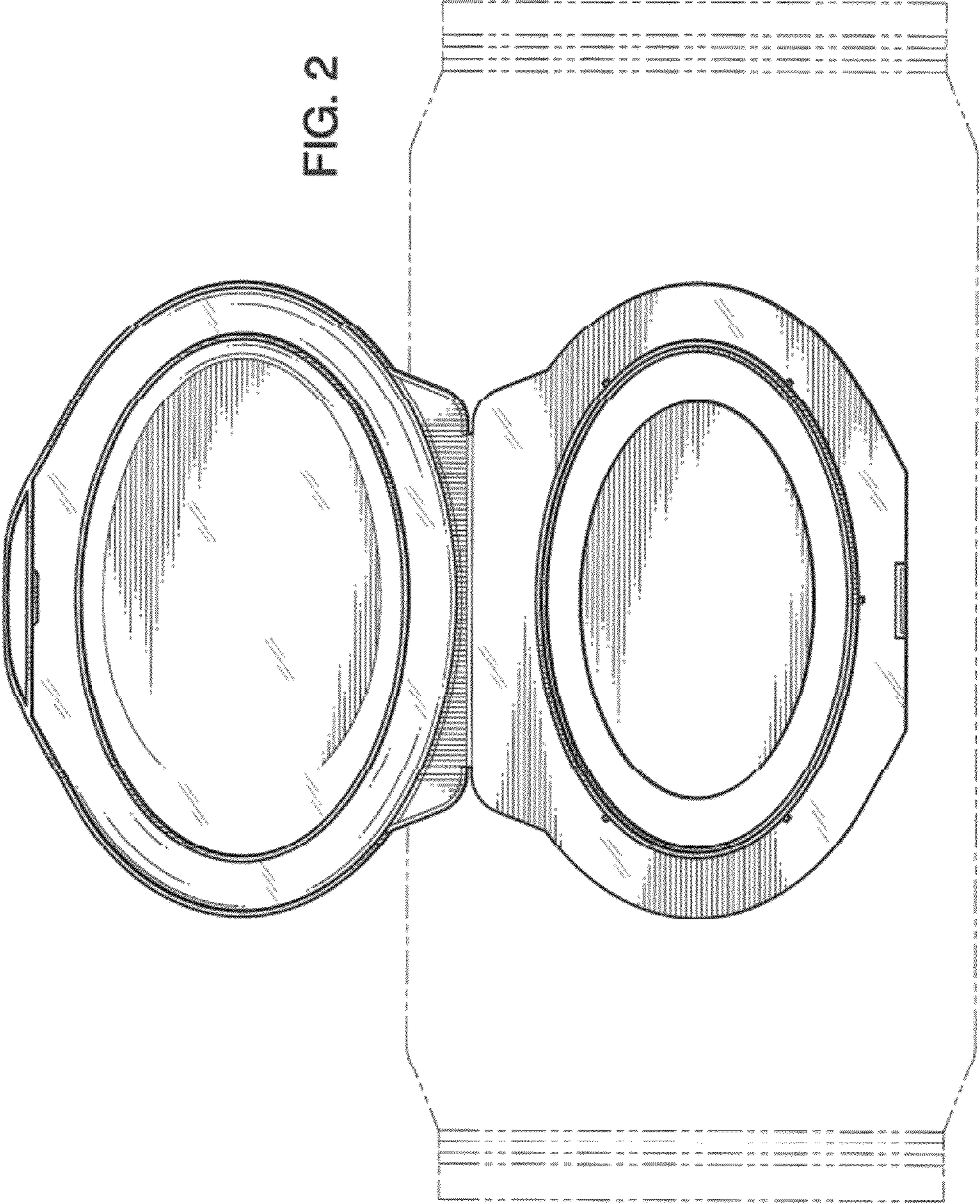


FIG. 1



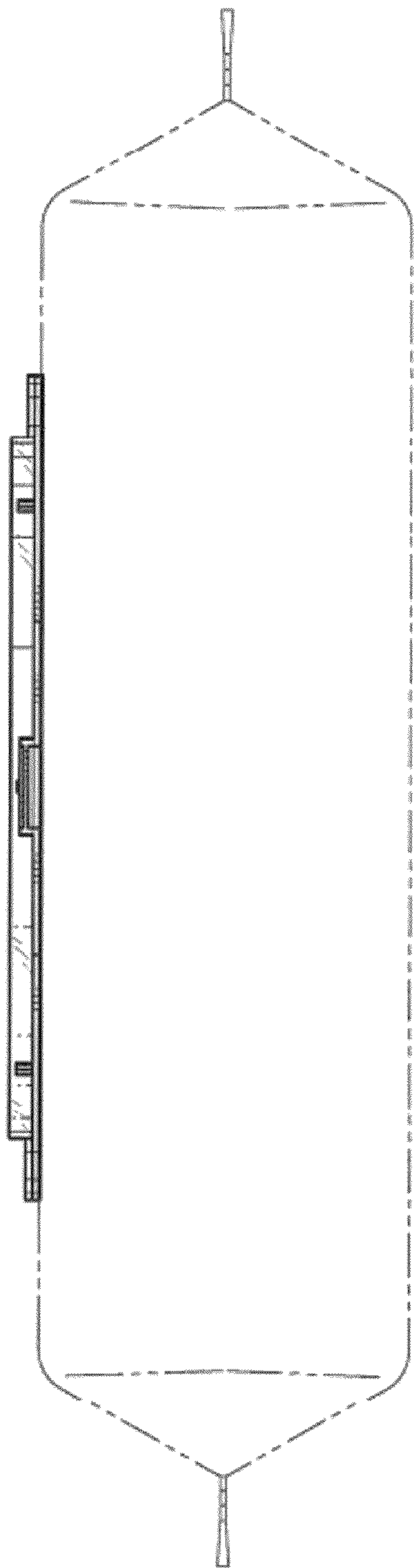


FIG. 3

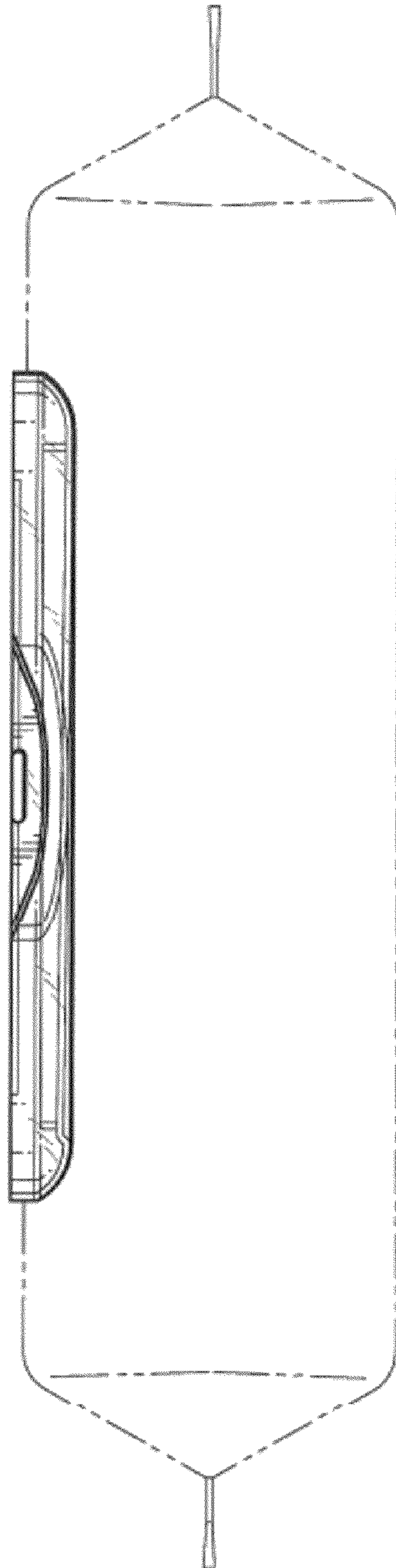


FIG. 4

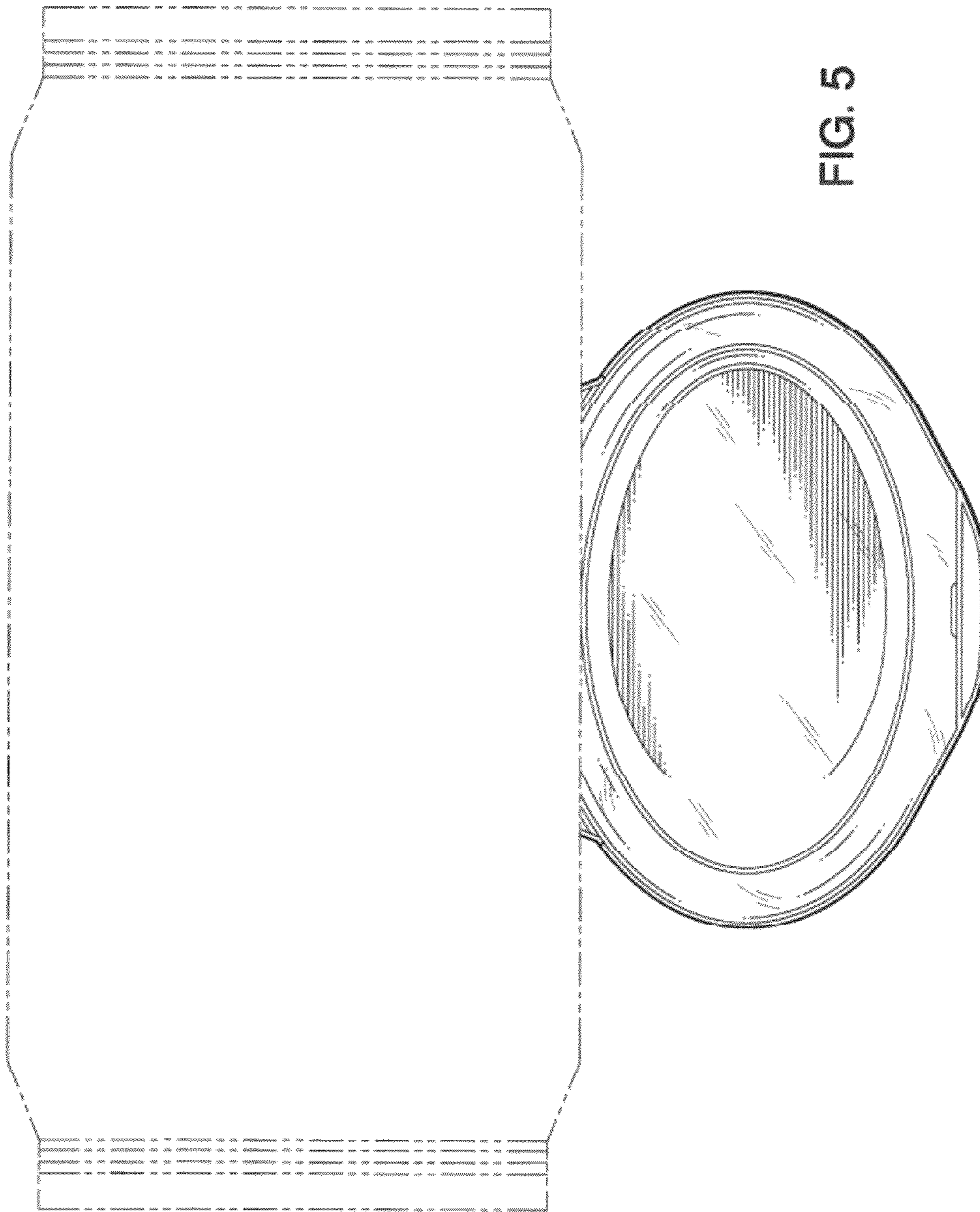


FIG. 5

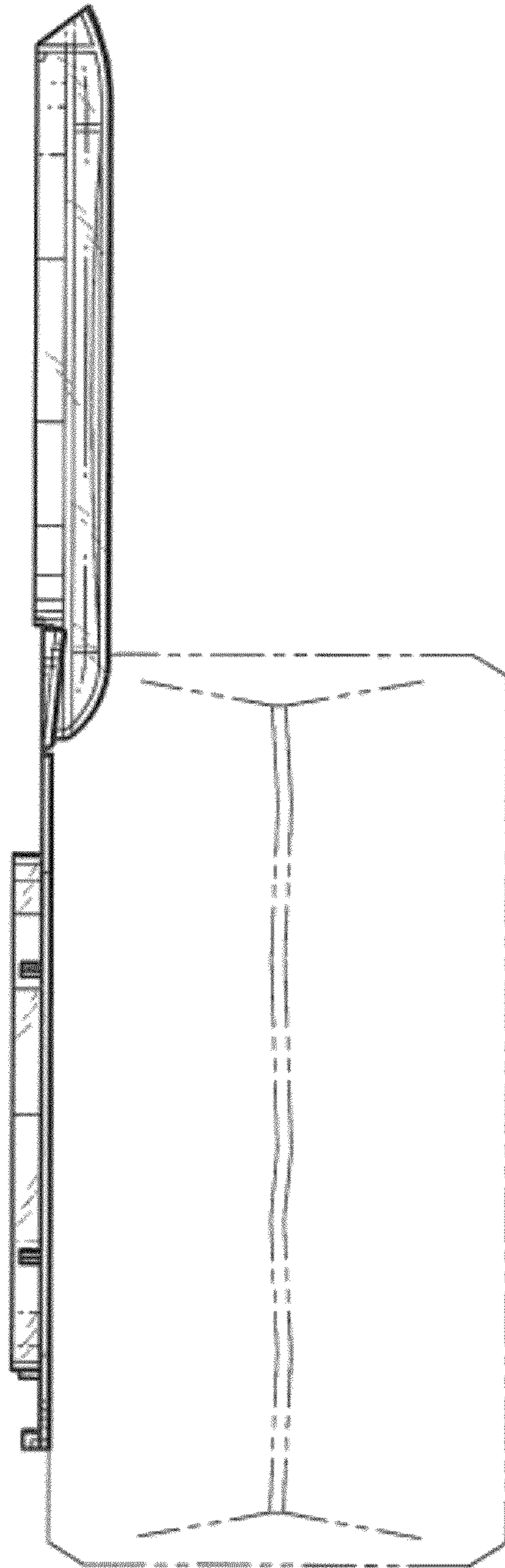


FIG. 6



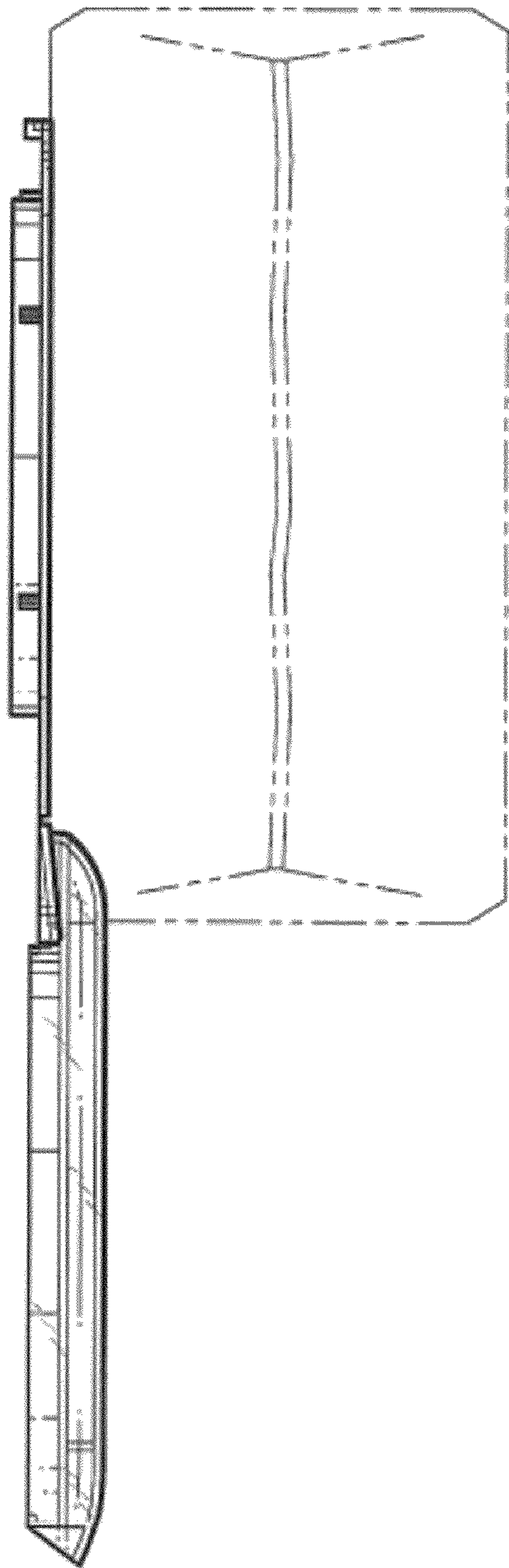


FIG. 7

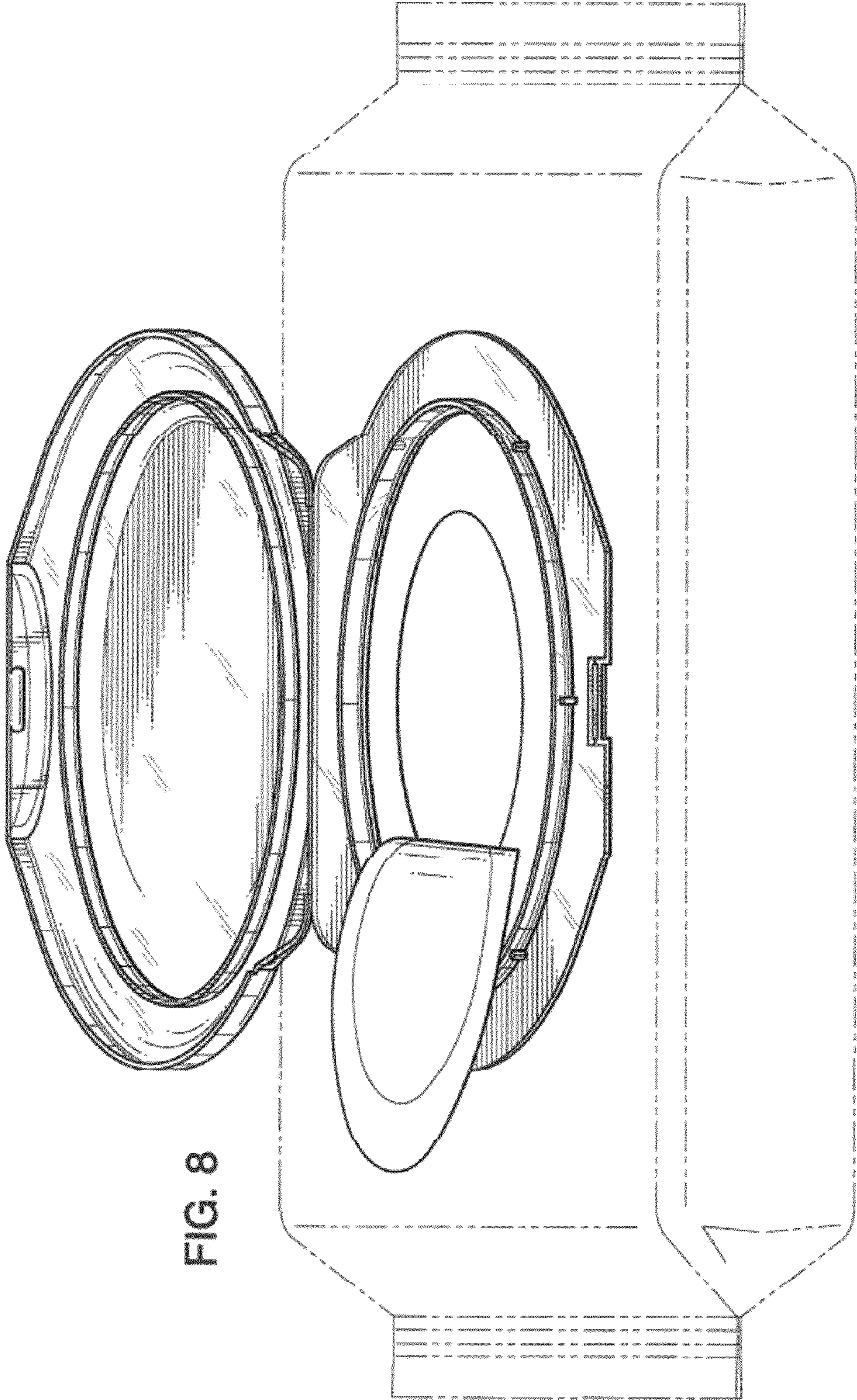


FIG. 8