



US00D670997S

(12) **United States Design Patent**  
**Thompson et al.**

(10) **Patent No.:** **US D670,997 S**

(45) **Date of Patent:** **\*\* Nov. 20, 2012**

(54) **HOOK**

(75) Inventors: **Craig D. Thompson**, Inver Grove Heights, MN (US); **Jameel R. Qiblawi**, Mendota Heights, MN (US); **Angela L. Pan**, Woodbury, MN (US)

(73) Assignee: **3M Innovative Properties Company**, St. Paul, MN (US)

(\*\*) Term: **14 Years**

(21) Appl. No.: **29/406,825**

(22) Filed: **Nov. 18, 2011**

(51) **LOC (9) Cl.** ..... **08-05**

(52) **U.S. Cl.** ..... **D8/367**

(58) **Field of Classification Search** ..... D8/367, D8/376, 354, 349, 373, 365; 211/118; 294/143; 248/340, 301, 304

See application file for complete search history.

(56) **References Cited**

U.S. PATENT DOCUMENTS

401,683 A \* 4/1889 Buell ..... 248/303  
874,412 A \* 12/1907 Lewis ..... 248/308

D327,641 S \* 7/1992 Hoskinson et al. .... D8/370  
5,832,572 A \* 11/1998 Norrby ..... 24/600.9  
6,081,975 A \* 7/2000 Norrby ..... 24/369  
6,195,848 B1 \* 3/2001 Jackson et al. .... 24/68 CD  
6,519,818 B1 \* 2/2003 Chang ..... 24/599.4  
6,631,539 B1 \* 10/2003 Chang ..... 24/599.4  
D499,008 S \* 11/2004 Chang ..... D8/370  
D565,396 S \* 4/2008 Wipf ..... D8/367  
D632,952 S \* 2/2011 Dablemont ..... D8/367  
D642,897 S \* 8/2011 Berkowitz ..... D8/367

\* cited by examiner

*Primary Examiner* — Cynthia Underwood

(74) *Attorney, Agent, or Firm* — David B. Patchett; Irina Hass

(57) **CLAIM**

The ornamental design for a hook, as shown and described.

**DESCRIPTION**

FIG. 1 is a perspective view showing the new design for a hook;

FIG. 2 is a front view thereof;

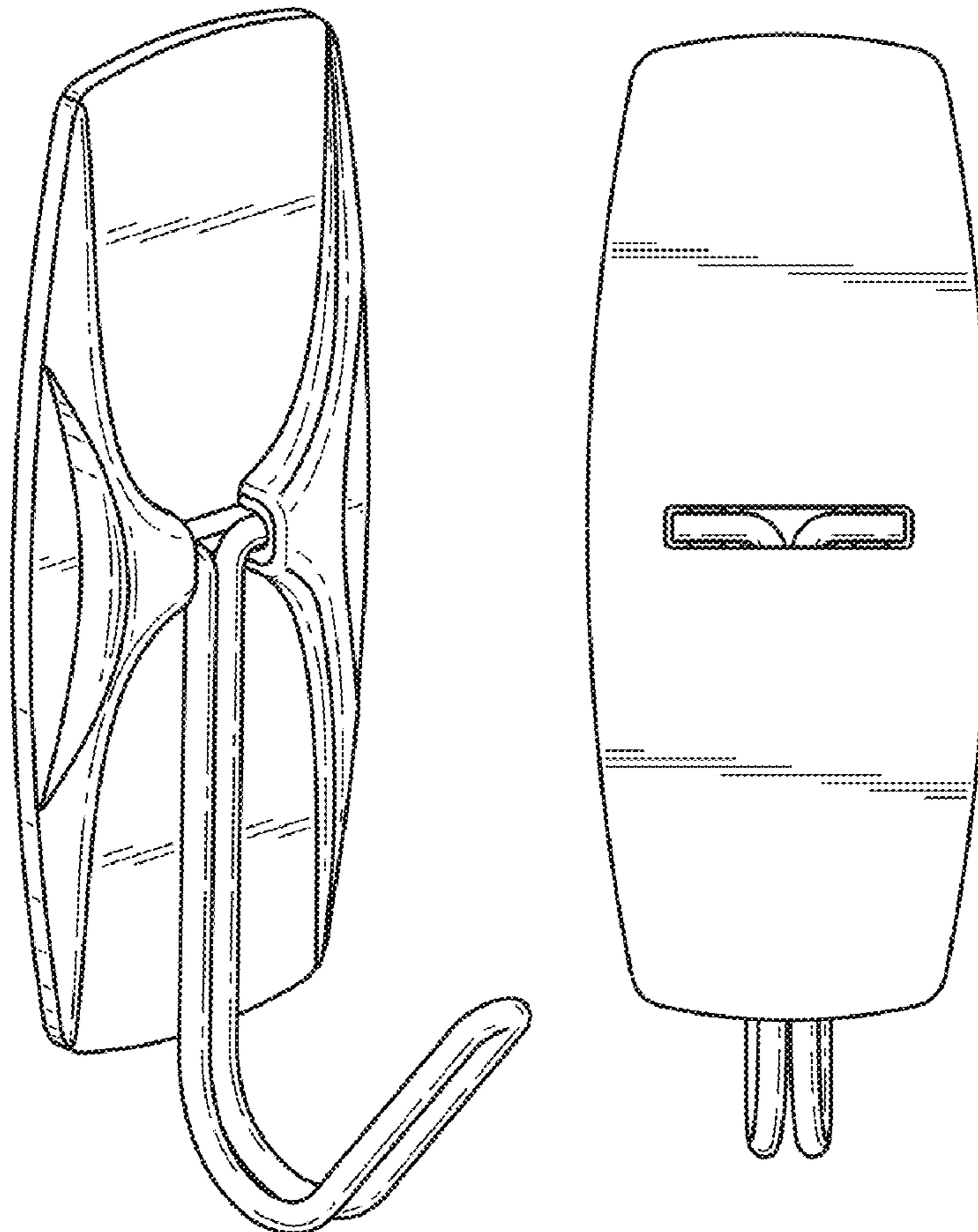
FIG. 3 is a left side view thereof, the right side being a mirror image thereof;

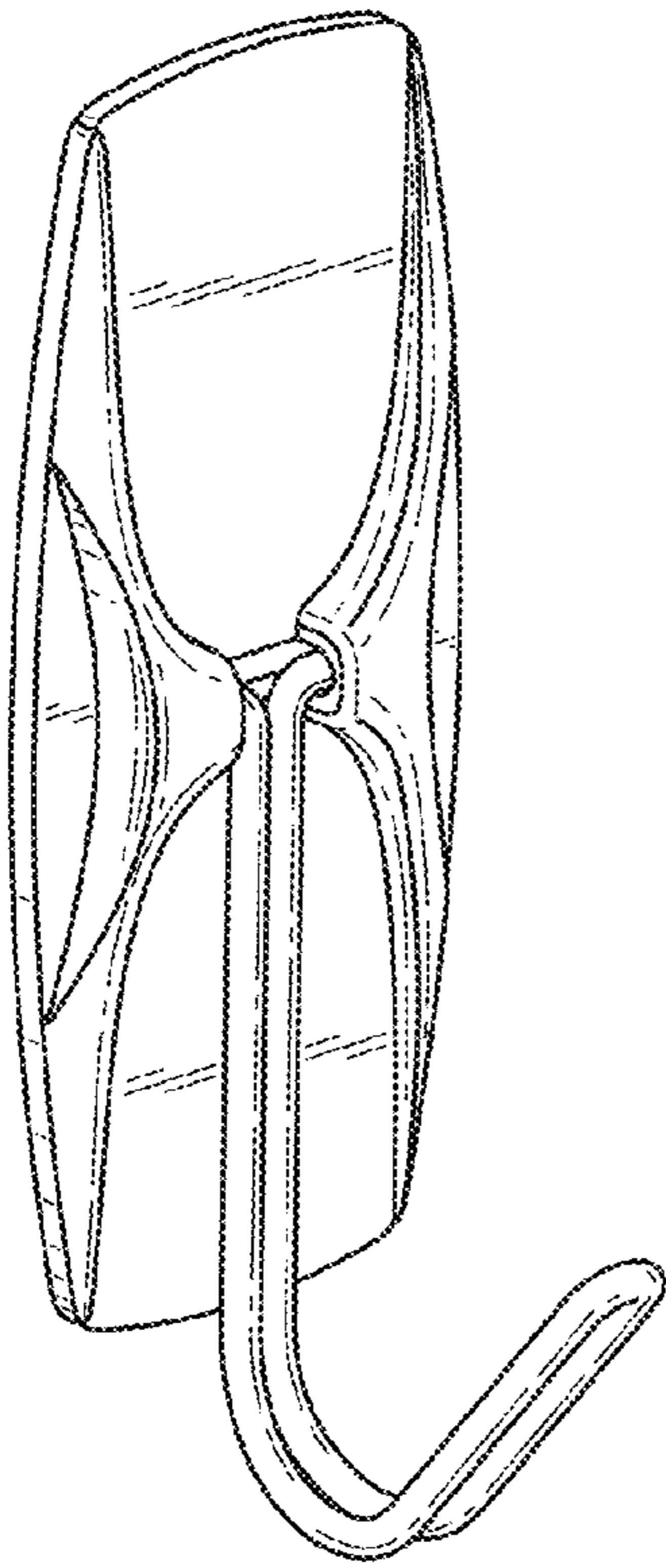
FIG. 4 is a rear view thereof;

FIG. 5 is a top view thereof; and,

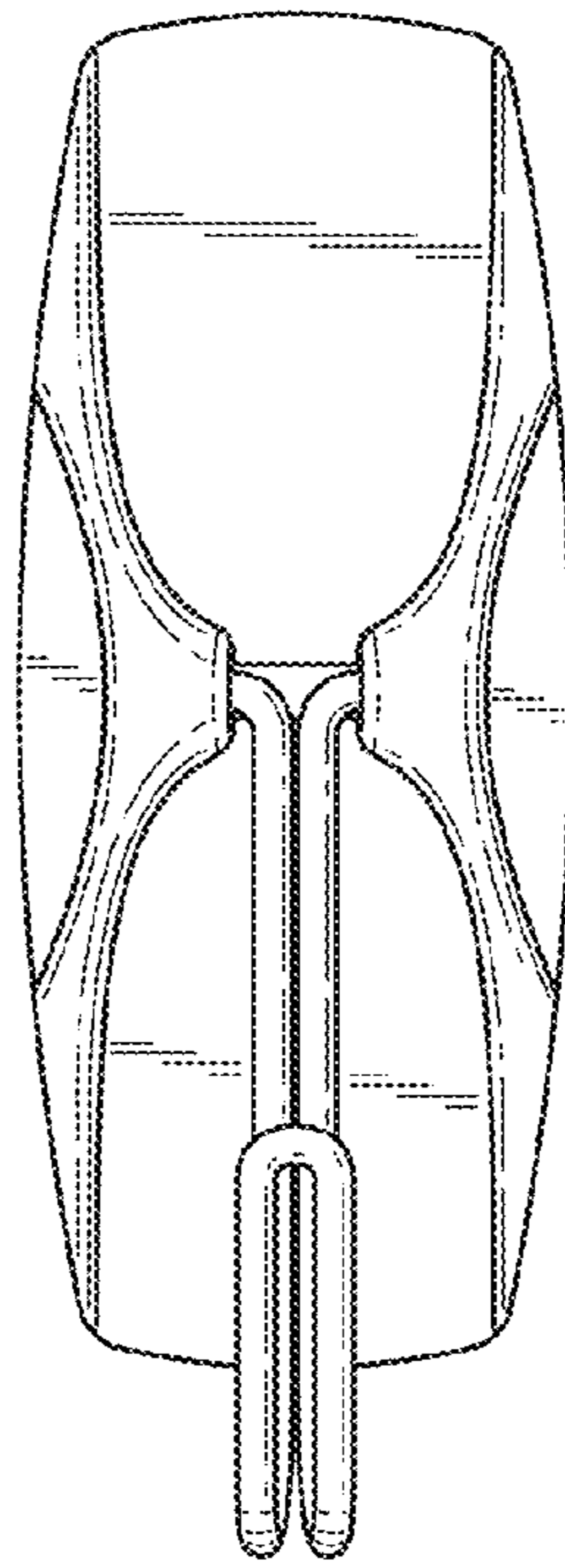
FIG. 6 is a bottom view thereof.

**1 Claim, 1 Drawing Sheet**

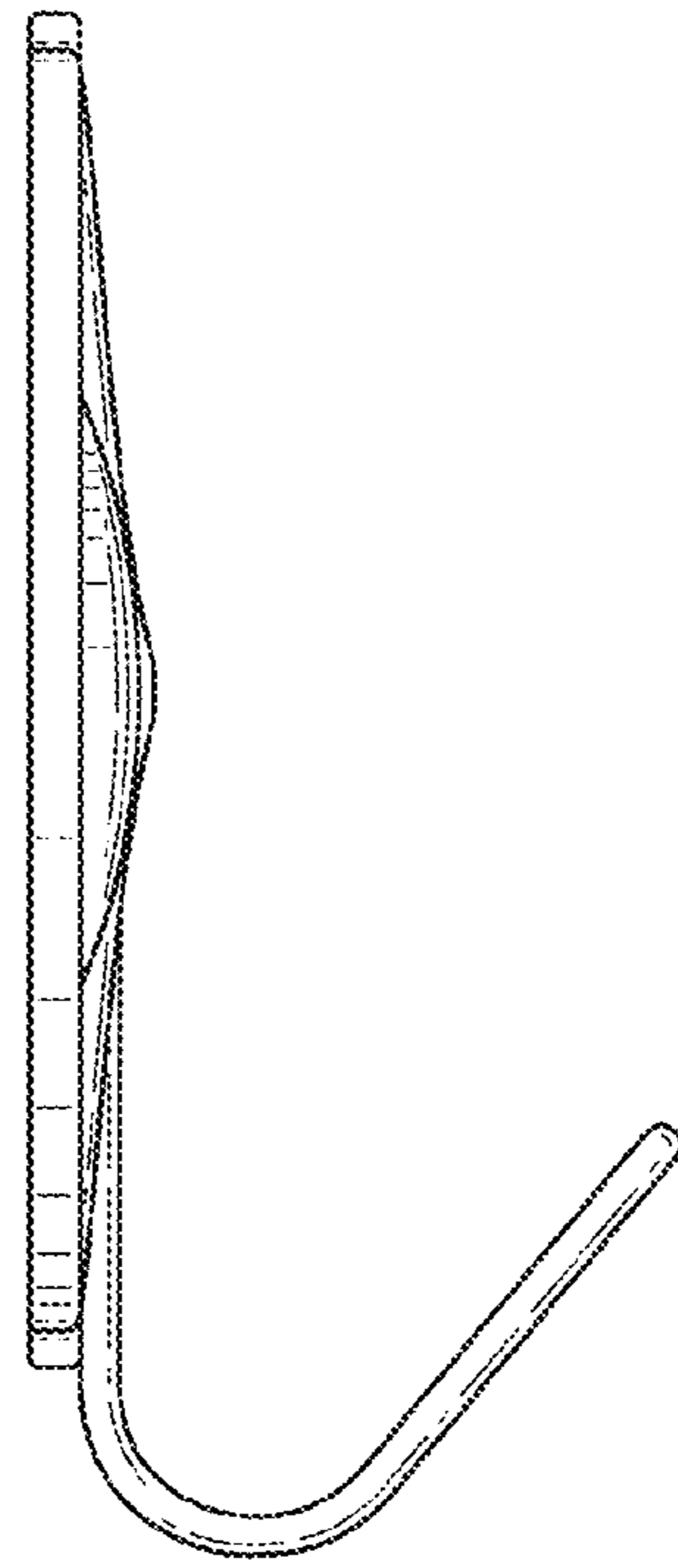




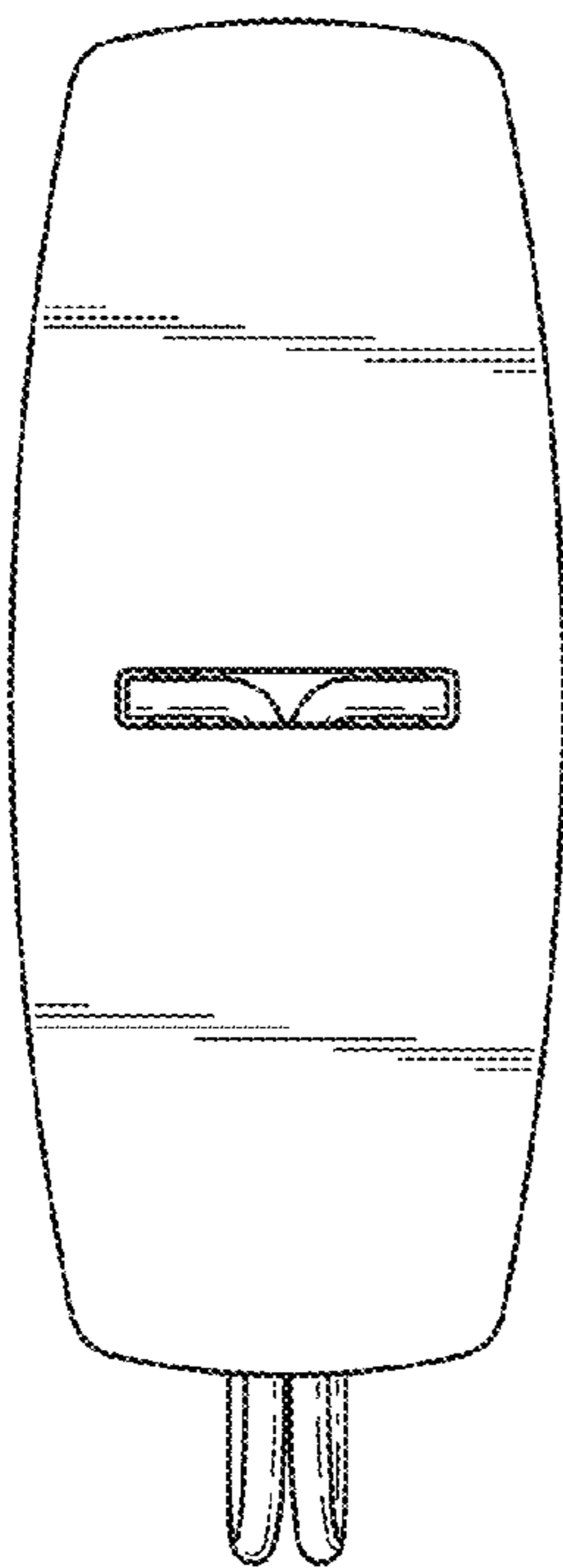
*Fig. 1*



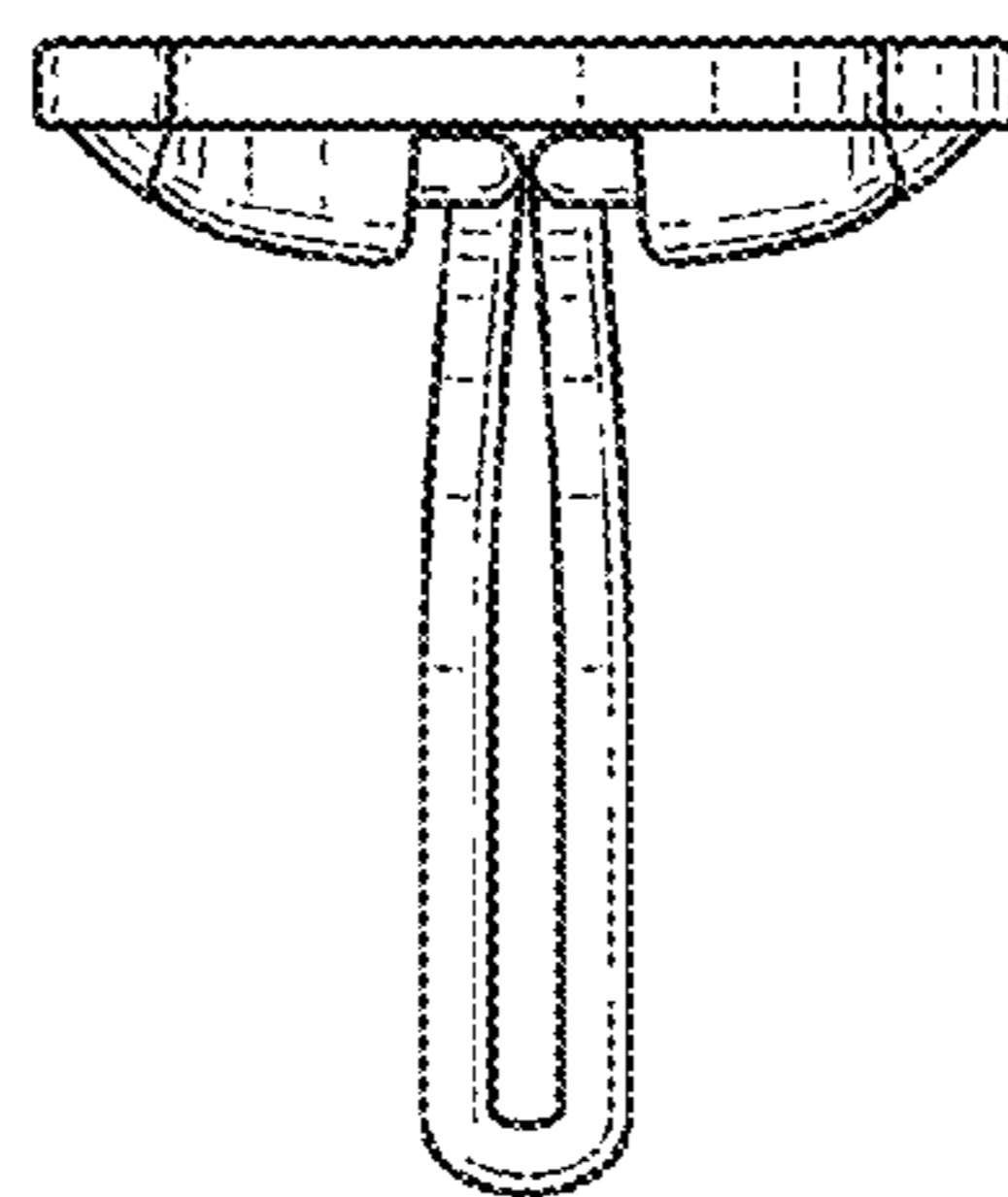
*Fig. 2*



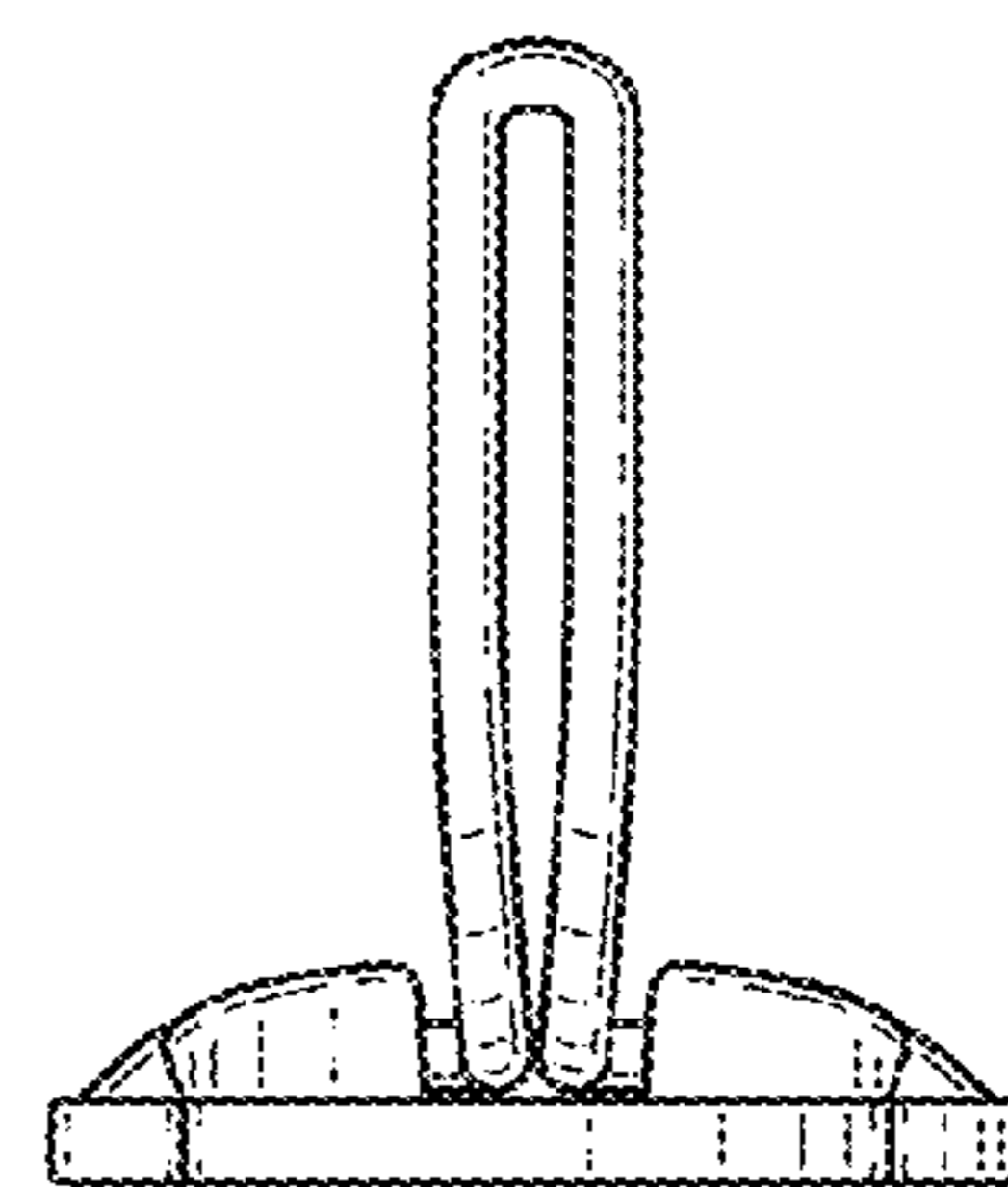
*Fig. 3*



*Fig. 4*



*Fig. 5*



*Fig. 6*