



US00D670996S

(12) **United States Design Patent**
Rogers

(10) **Patent No.:** **US D670,996 S**

(45) **Date of Patent:** **** Nov. 20, 2012**

(54) **ARTICLE HANGER**

(76) Inventor: **Richard Rogers**, Las Vegas, NV (US)

(**) Term: **14 Years**

(21) Appl. No.: **29/373,624**

(22) Filed: **May 3, 2011**

(51) **LOC (9) Cl.** **08-01**

(52) **U.S. Cl.** **D8/363; D8/349**

(58) **Field of Classification Search** D6/512,
D6/553, 567, 513; D8/349, 354, 363, 373;
211/13.1, 85.13, 86.01, 89.01, 113, 135;
248/95, 200, 205.1, 205.2, 220.21, 241, 247,
248/248, 300, 301, 309.1, 311.2, 317, 339

See application file for complete search history.

(56) **References Cited**

U.S. PATENT DOCUMENTS

| | | | | |
|-----------|-----|---------|----------------------|-----------|
| 3,565,382 | A * | 2/1971 | Passarelli, Jr. | 248/300 |
| 4,483,501 | A * | 11/1984 | Eddy | 248/205.1 |
| D356,243 | S * | 3/1995 | Eckerman | D8/373 |
| D361,260 | S * | 8/1995 | Trentham | D8/373 |
| 5,758,972 | A * | 6/1998 | Mack et al. | 248/205.2 |
| D398,514 | S * | 9/1998 | Anderson | D8/349 |
| D538,630 | S * | 3/2007 | Sergi | D8/354 |
| D578,521 | S * | 10/2008 | Sergi et al. | D8/354 |

OTHER PUBLICATIONS

T-Plate, p. 205, "The Complete Illustrated Guide to Everything Sold in Hardware Stores and Garden Centers" by Steve Ettlinger (2006).*

* cited by examiner

Primary Examiner — Brian N Vinson

(74) *Attorney, Agent, or Firm* — Paul B Heynssens Attorney at Law, PLC

(57) **CLAIM**

I claim the ornamental design for an article hanger, as shown and described.

DESCRIPTION

FIG. 1 is a top perspective view of my new design for an article hanger;

FIG. 2 is a top view thereof;

FIG. 3 is a bottom view thereof;

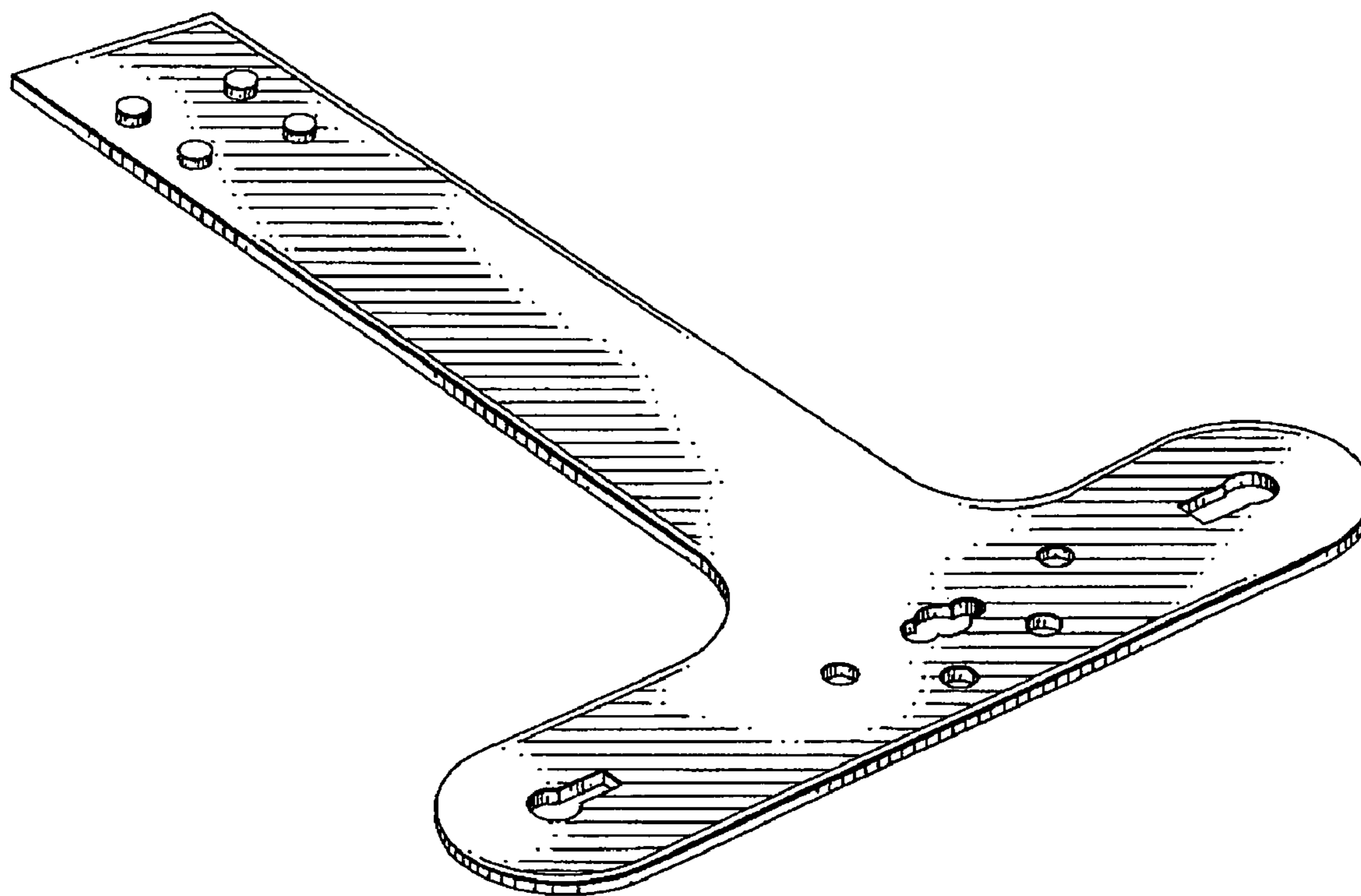
FIG. 4 is a view looking from the right side of FIG. 2;

FIG. 5 is a view looking from the right side of FIG. 3;

FIG. 6 is a bottom end view; and,

FIG. 7 is a top end view.

1 Claim, 2 Drawing Sheets



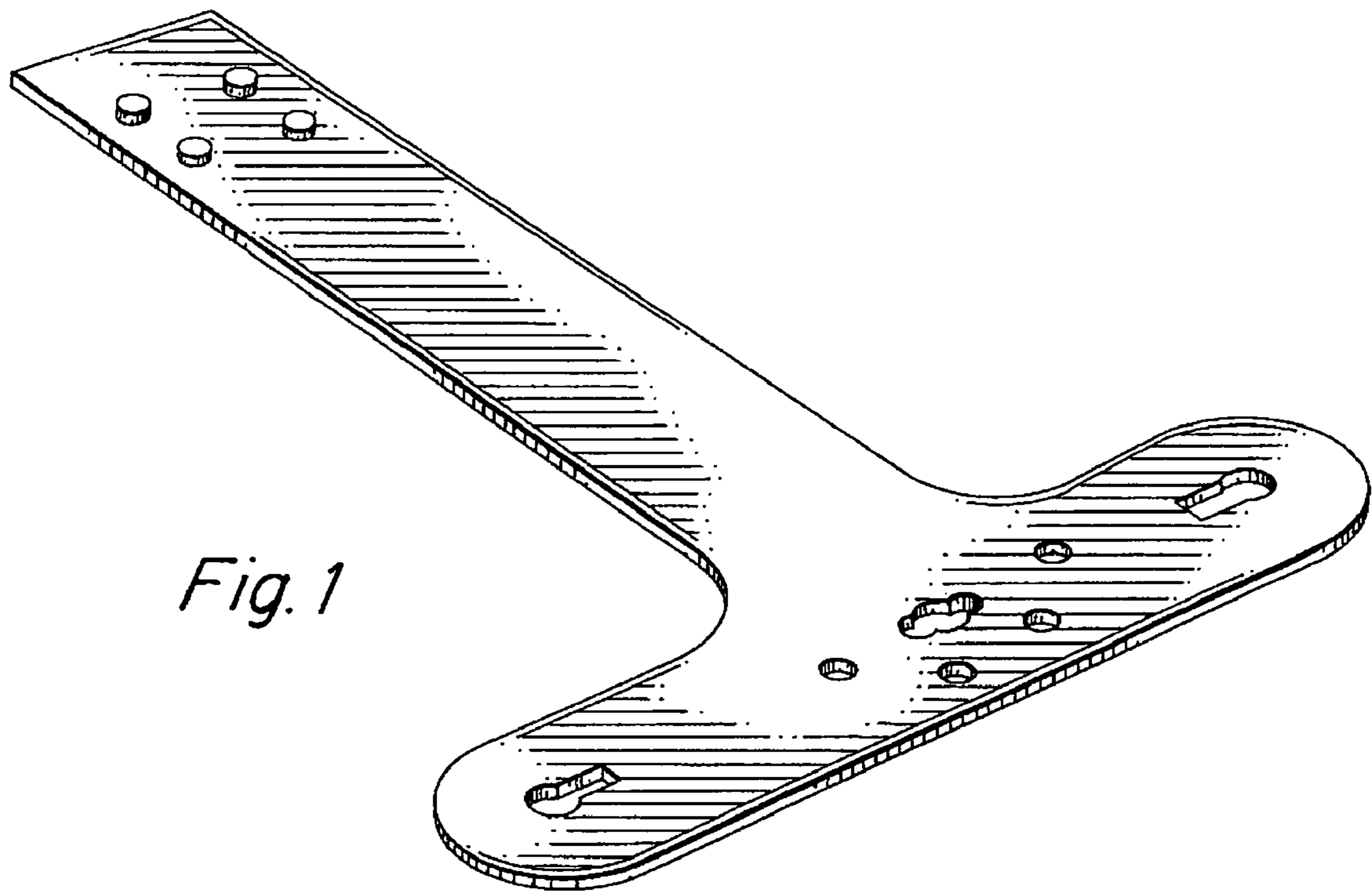


Fig. 1



Fig. 6



Fig. 7



Fig. 5

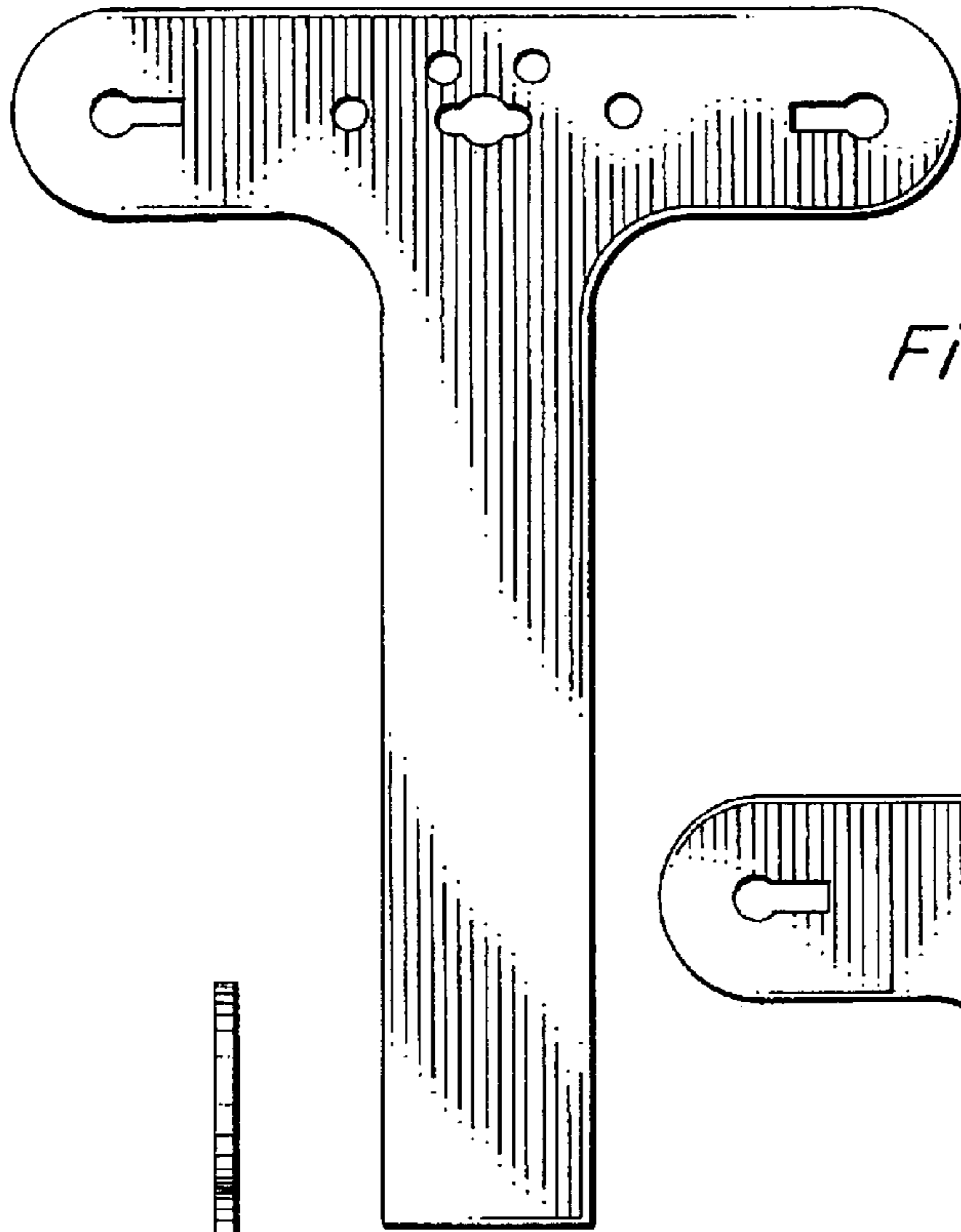


Fig. 2

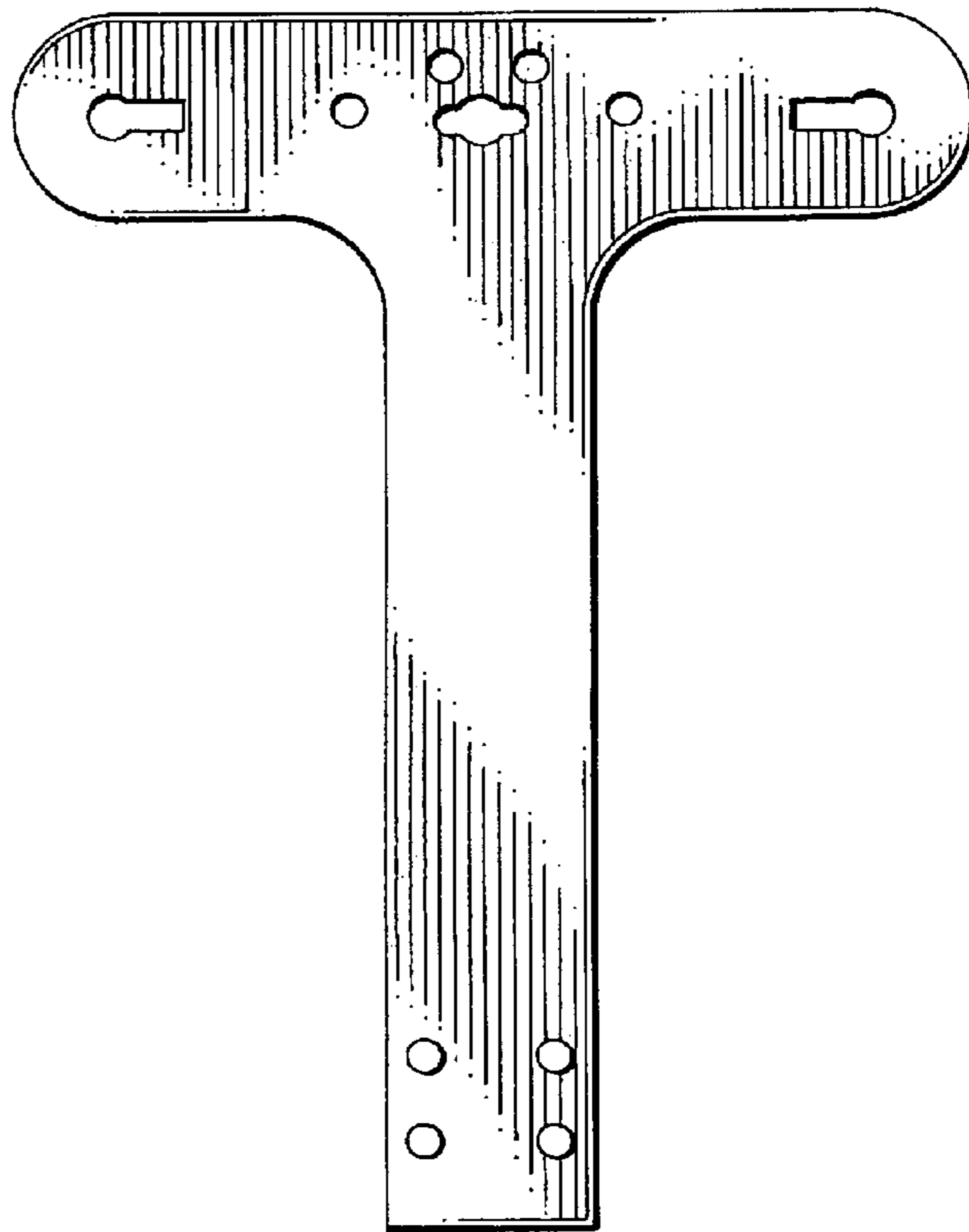


Fig. 3



Fig. 4