

US00D670995S

(12) **United States Design Patent**
Stieler

(10) **Patent No.:** **US D670,995 S**

(45) **Date of Patent:** **** Nov. 20, 2012**

(54) **CORD WRAP AND CHARGING CABLE ASSEMBLY**

(75) Inventor: **Kelly Ann Stieler**, Detroit, MI (US)

(73) Assignee: **Yazaki North America, Inc.**, Canton, MI (US)

(**) Term: **14 Years**

(21) Appl. No.: **29/403,912**

(22) Filed: **Oct. 12, 2011**

Related U.S. Application Data

(63) Continuation of application No. 29/382,606, filed on Jan. 5, 2011, now Pat. No. Des. 649,017.

(51) **LOC (9) Cl.** **08-05**

(52) **U.S. Cl.** **D8/356**

(58) **Field of Classification Search** D8/356, D8/397, 367, 394, 382, 349, 354, 373; 174/68.3; D6/513, 113; 411/431; 256/19; D13/133; 24/115 F; 439/501; 320/111, 114; 114/218
See application file for complete search history.

(56) **References Cited**

U.S. PATENT DOCUMENTS

546,084	A *	9/1895	Webb	280/184
3,398,714	A *	8/1968	Kock et al.	114/218
D309,094	S	7/1990	Donis et al.	
5,261,343	A *	11/1993	Elterman et al.	114/218
D382,190	S *	8/1997	Blackston et al.	D8/107
6,164,582	A *	12/2000	Vara	242/395
D449,580	S *	10/2001	Gee, II	D13/139.8
6,476,327	B1	11/2002	Bernard et al.	
6,567,277	B1	5/2003	Doherty et al.	
D482,654	S	11/2003	Shor et al.	
D484,035	S *	12/2003	Smith-Kielland et al.	D8/394
6,669,135	B1	12/2003	Hartley	
6,722,900	B2	4/2004	Segawa et al.	
D503,715	S	4/2005	Sheehan et al.	

7,077,693	B1	7/2006	Symons	
D556,019	S	11/2007	Symons	
D575,143	S *	8/2008	Kuo et al.	D8/394
D595,120	S *	6/2009	Plowman	D8/356
7,563,130	B2	7/2009	Farrar et al.	
D613,697	S *	4/2010	Symons	D13/149
D621,240	S	8/2010	Lutter et al.	

(Continued)

Primary Examiner — Cynthia Underwood
(74) *Attorney, Agent, or Firm* — Harness, Dickey & Pierce, P.L.C.

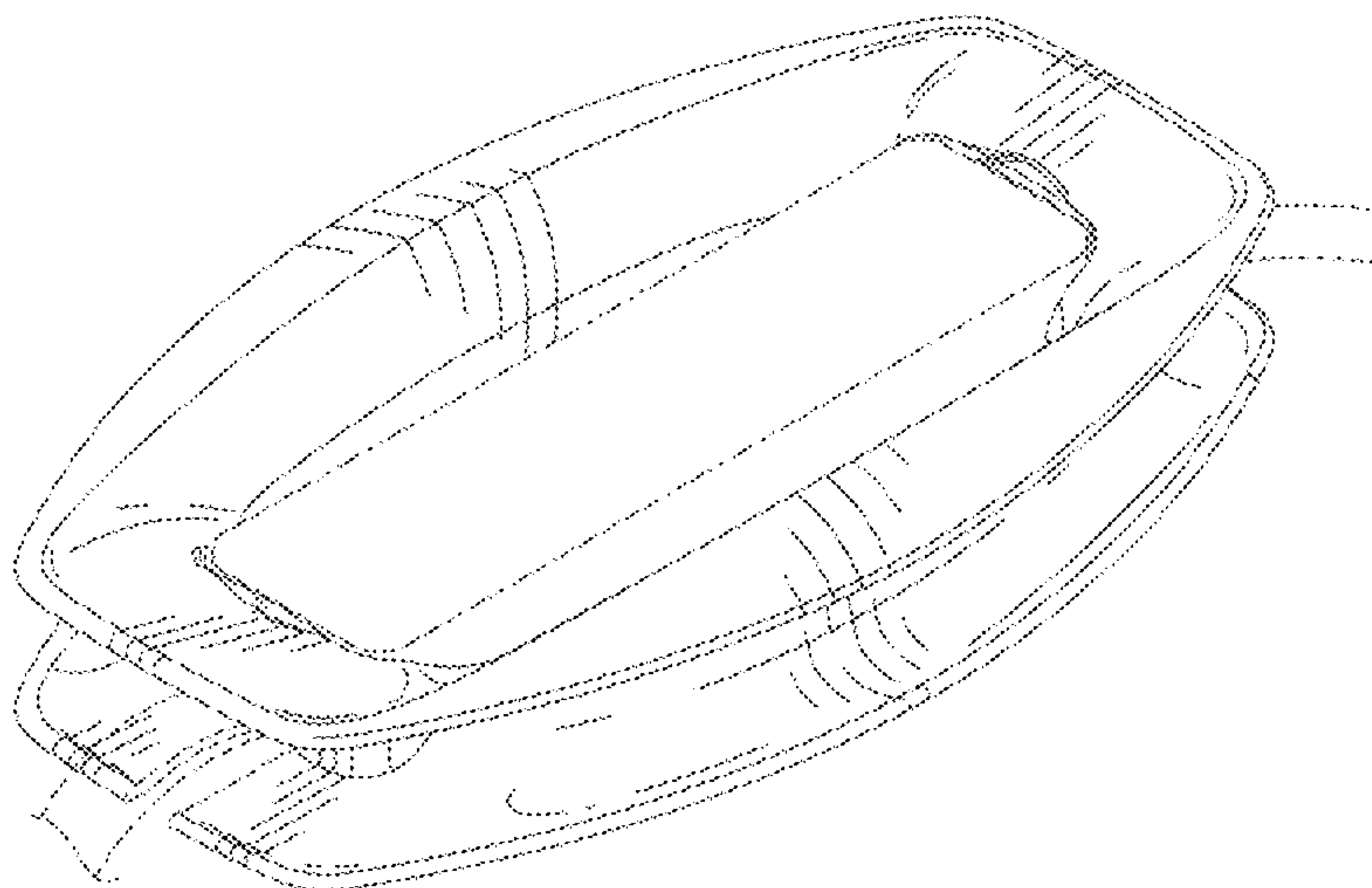
(57) **CLAIM**

The ornamental design for a cord wrap and charging cable assembly, as shown and described.

DESCRIPTION

FIG. 1 is a front perspective view of a cord wrap and charging cable assembly according to the present disclosure;
FIG. 2 is a front view thereof;
FIG. 3 is a rear view thereof;
FIG. 4 is a side view thereof;
FIG. 5 is a top view thereof;
FIG. 6 is a bottom view thereof;
FIG. 7 is a sectional view thereof taken along line 7-7 in FIG. 3 with the charging cable assembly not shown;
FIG. 8 is a sectional view thereof taken along line 8-8 in FIG. 3 with the charging cable assembly not shown;
FIG. 9 is a sectional view thereof taken along line 9-9 in FIG. 3 with the charging cable assembly not shown;
FIG. 10 is a sectional view thereof taken along line 10-10 in FIG. 3 with the charging cable assembly not shown;
FIG. 11 is a sectional view thereof taken along line 11-11 in FIG. 3 with the charging cable assembly not shown; and,
FIG. 12 is a sectional view thereof taken along line 12-12 in FIG. 3.
The portions of the cord wrap and charging cable assembly shown in broken lines form no part of the claimed design.

1 Claim, 5 Drawing Sheets



US D670,995 S

Page 2

U.S. PATENT DOCUMENTS					
D623,502 S	9/2010	Blonder	D658,094 S *	4/2012	Dunn D11/184
D629,671 S	12/2010	Ohori et al.	2003/0008550 A1	1/2003	Tse et al.
7,874,411 B2	1/2011	Roberts et al.	2005/0046385 A1	3/2005	Chung
D631,730 S	2/2011	Skillman	2005/0180736 A1	8/2005	Zobebe
D648,685 S *	11/2011	Symons D13/155	2010/0139950 A1	6/2010	Chen
					* cited by examiner

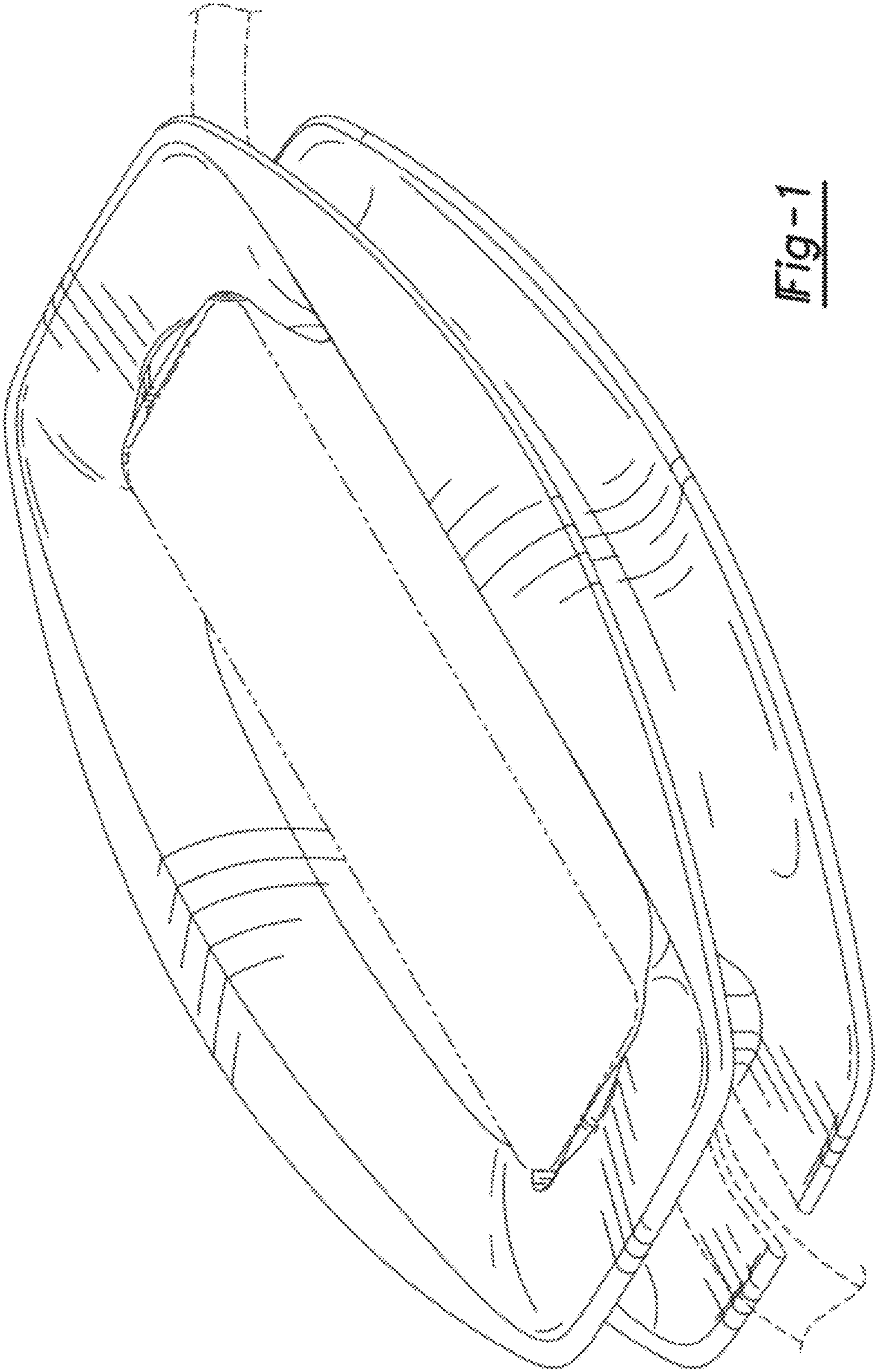


Fig-1

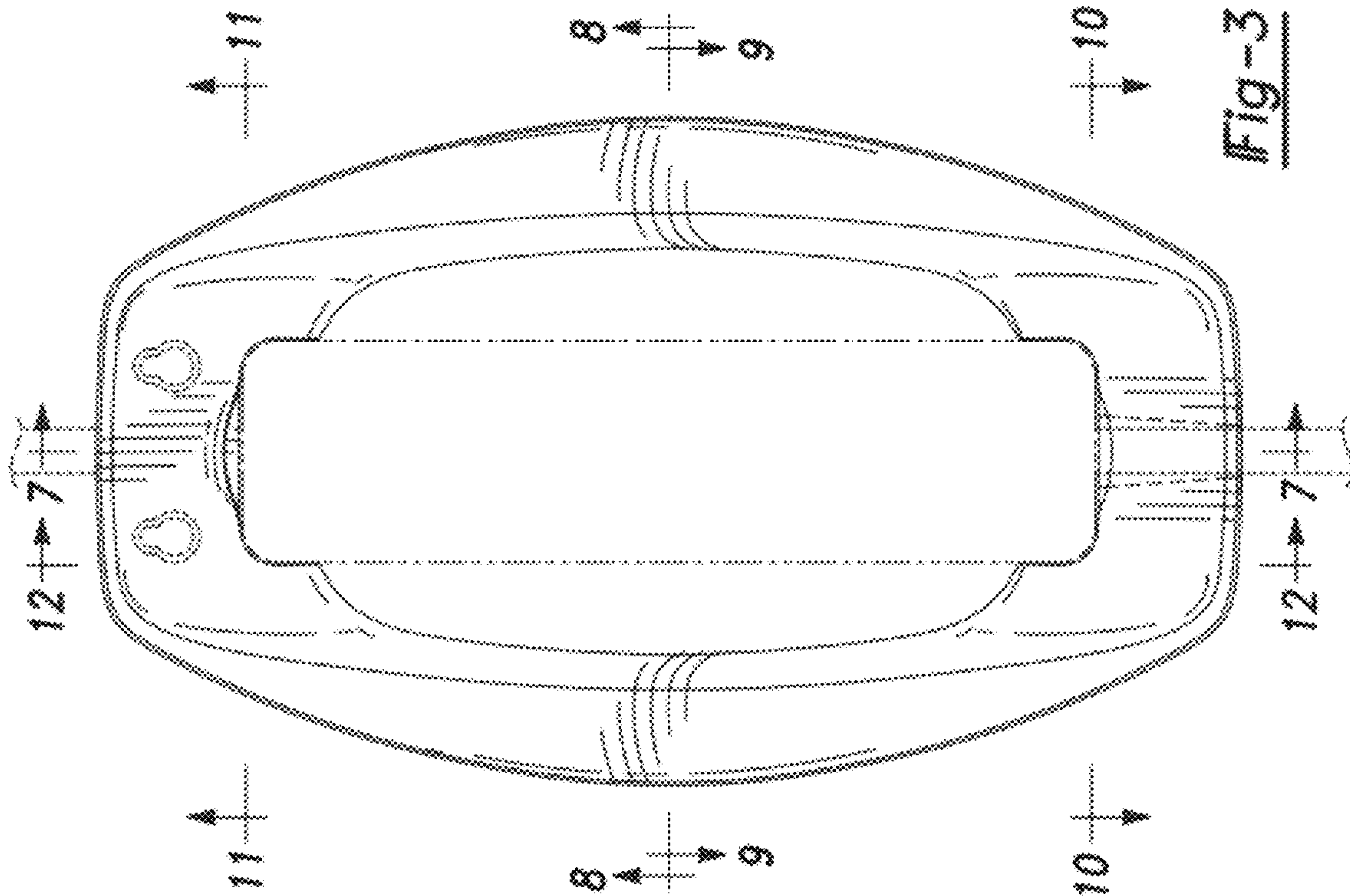


Fig-2

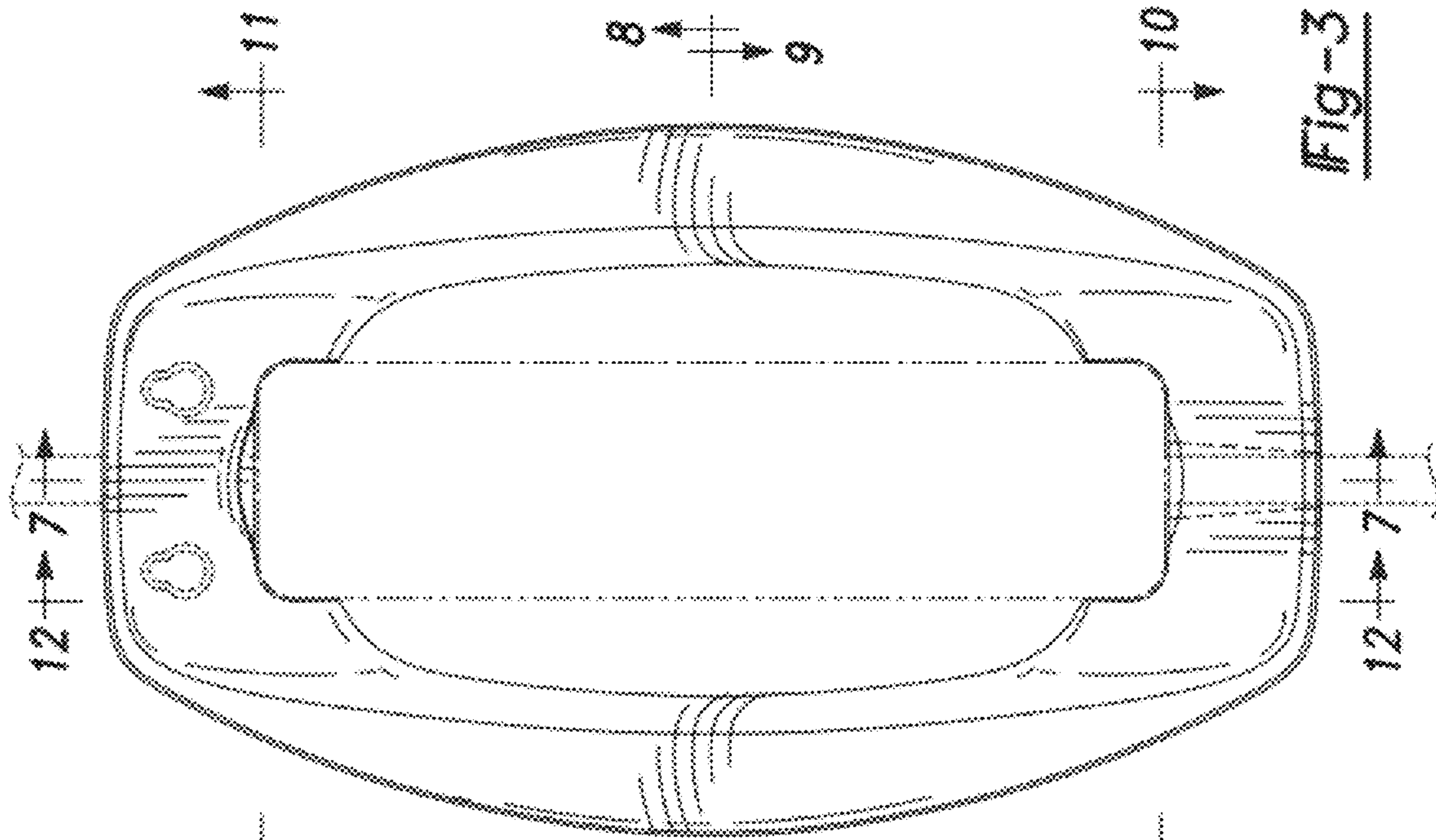


Fig-3

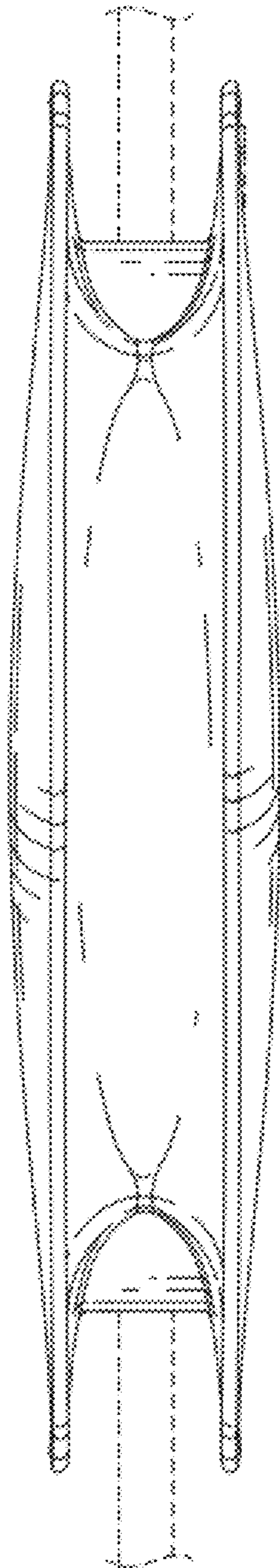


Fig-4

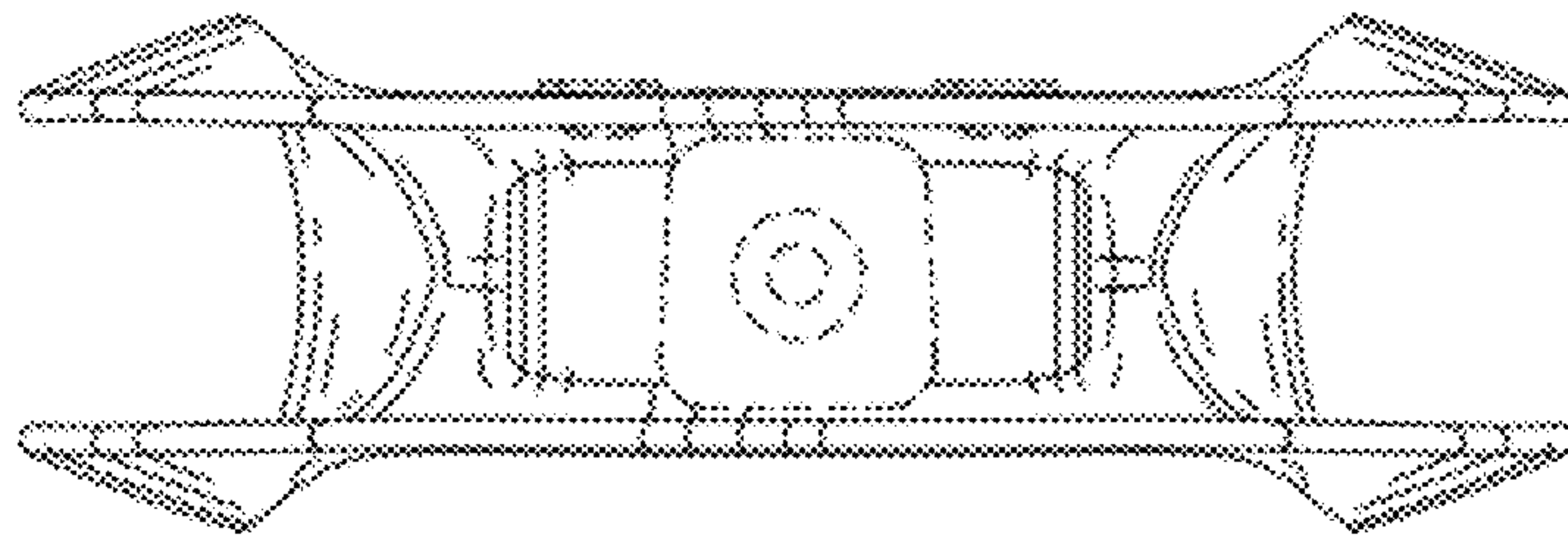


Fig-5

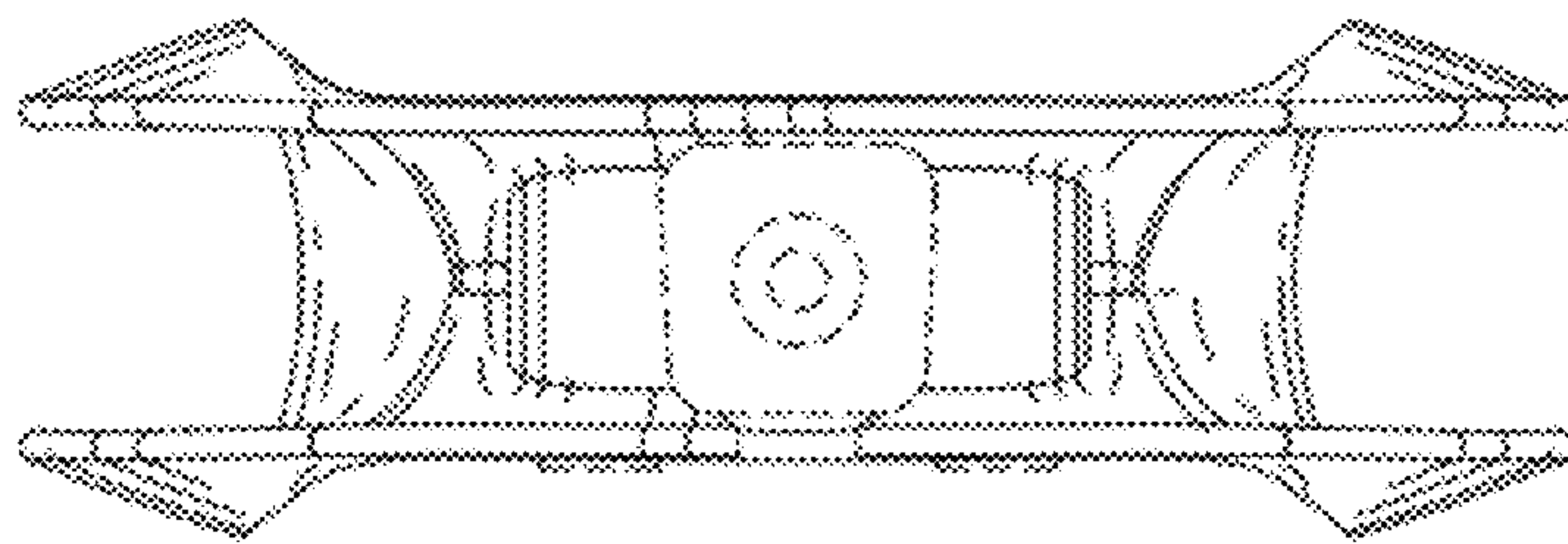


Fig-6

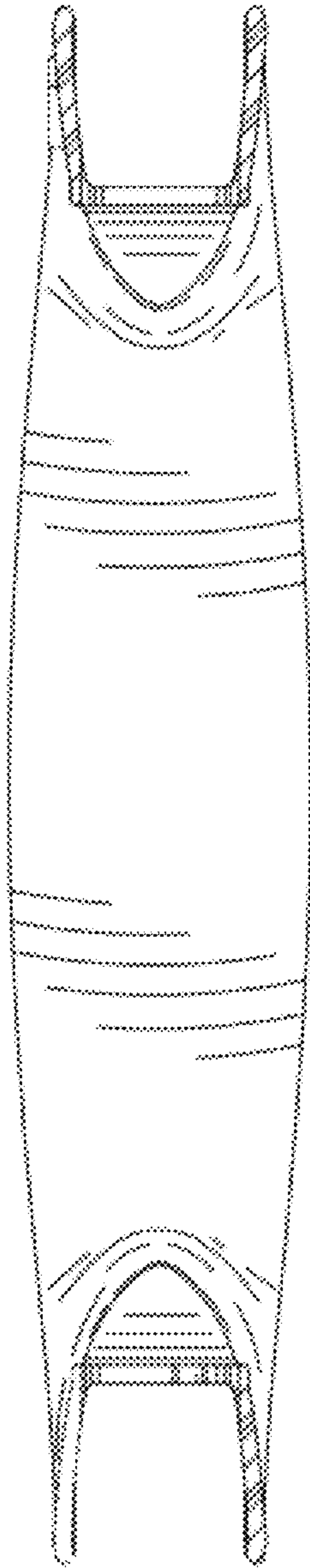


Fig-7

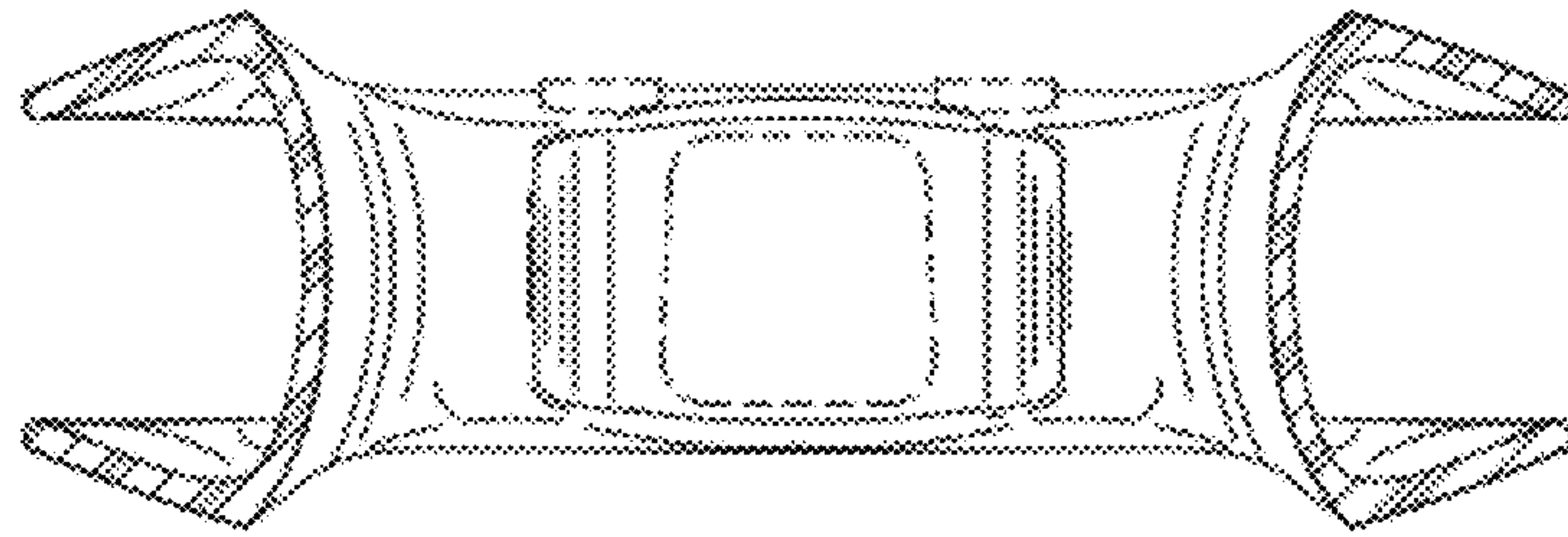


Fig-8

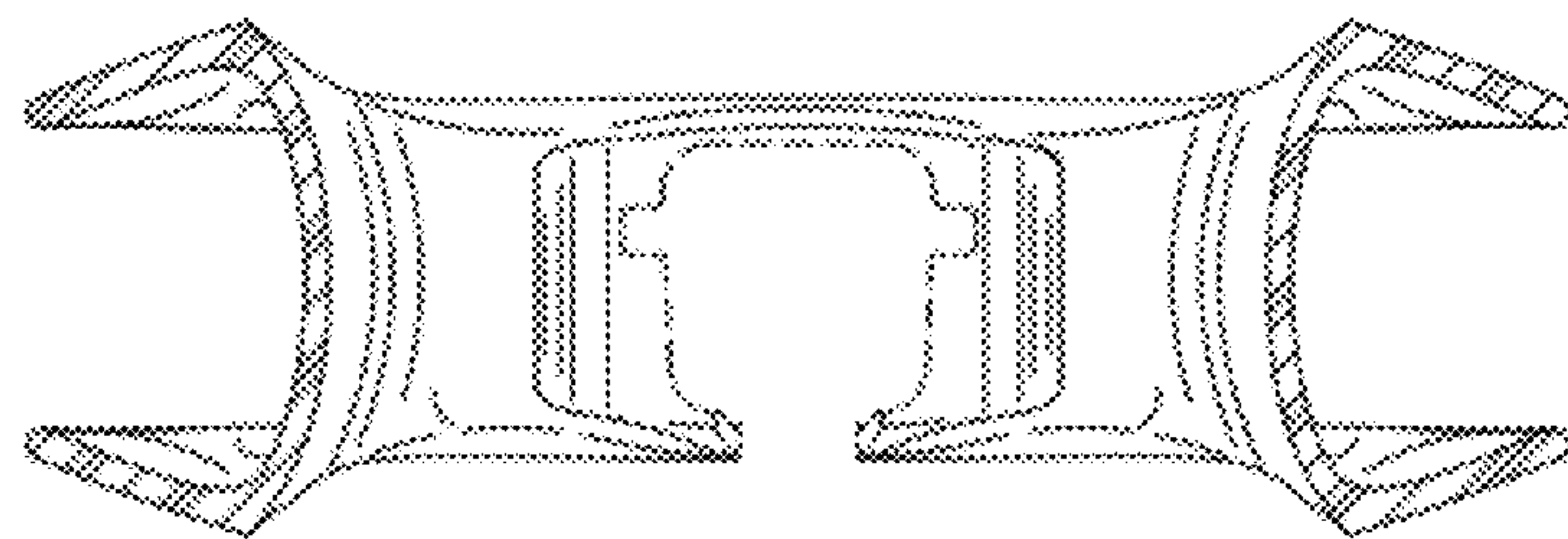


Fig-9

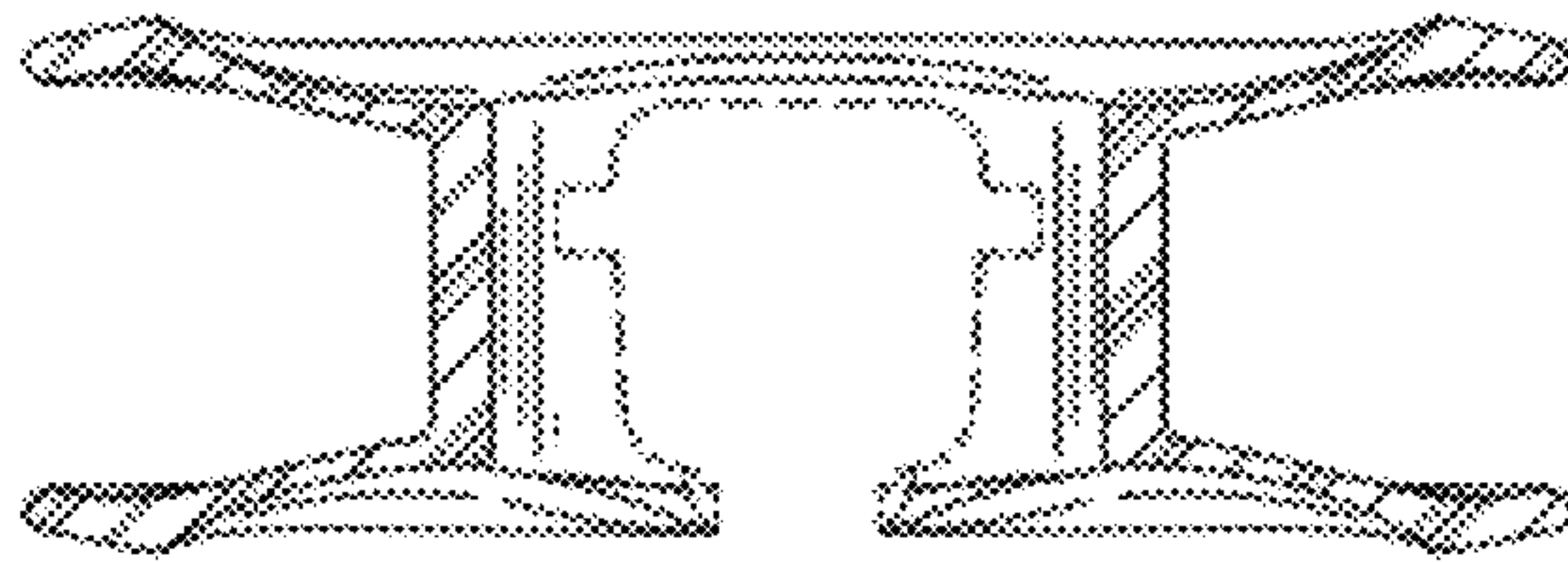


Fig-10

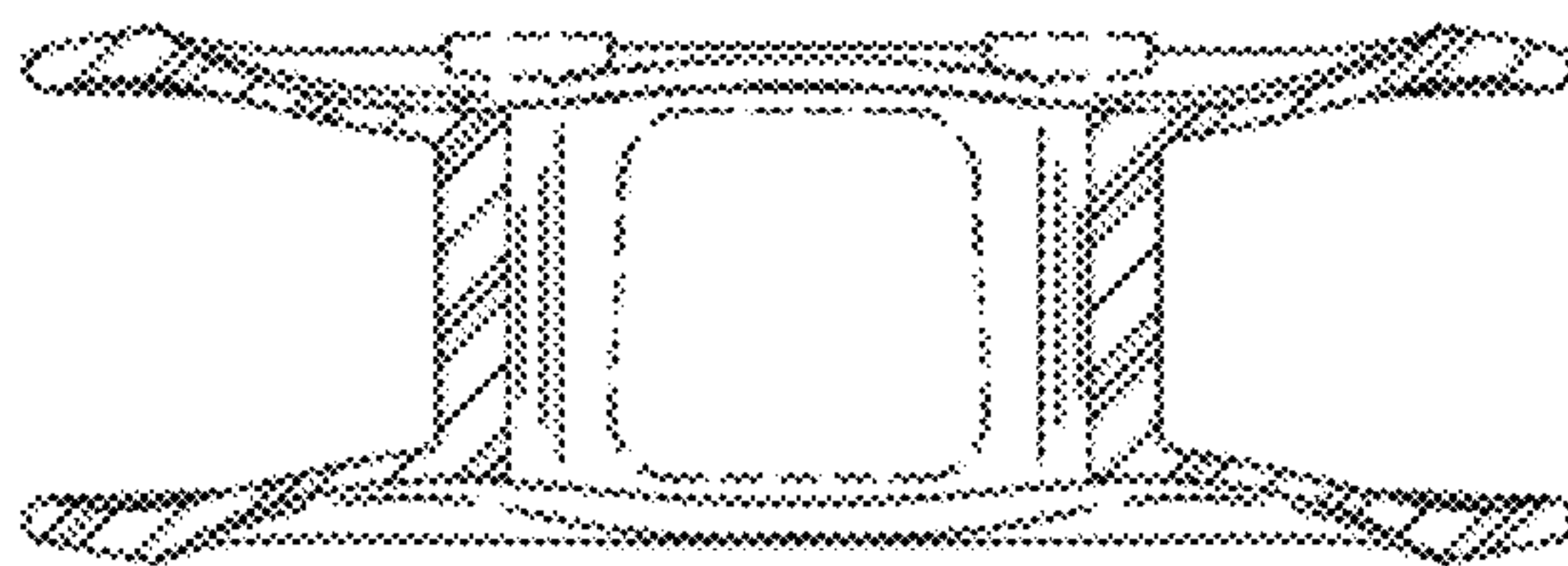


Fig-11

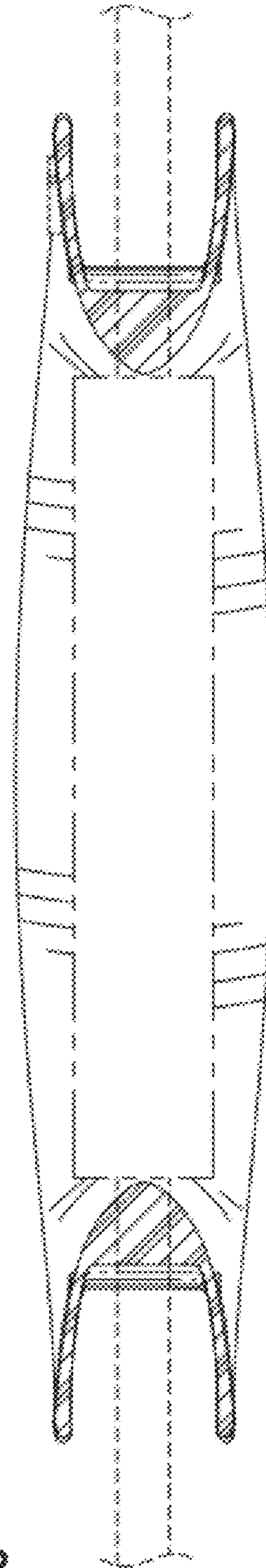


Fig-12