



US00D670994S

(12) **United States Design Patent**
Wu

(10) **Patent No.:** **US D670,994 S**

(45) **Date of Patent:** **** Nov. 20, 2012**

(54) **LOCK**

(75) Inventor: **Chun-Sheng Wu**, New Taipei (TW)

(73) Assignee: **Sinox Co., Ltd.**, New Taipei (TW)

(**) Term: **14 Years**

(21) Appl. No.: **29/402,446**

(22) Filed: **Sep. 23, 2011**

(30) **Foreign Application Priority Data**

Aug. 4, 2011 (TW) 100304018

(51) **LOC (9) Cl.** **08-07**

(52) **U.S. Cl.** **D8/343**

(58) **Field of Classification Search** D8/330,
D8/331, 332, 334, 339, 343; 70/14, 20–22,
70/57, 57.1, 58, 163, 174, 179, 180, 266,
70/431, 447, 448, 449; 248/551, 553; 439/304
See application file for complete search history.

(56) **References Cited**

U.S. PATENT DOCUMENTS

4,689,978 A * 9/1987 Drummond 70/431
5,327,752 A * 7/1994 Myers et al. 70/58
D370,621 S * 6/1996 Themistos et al. D8/343

5,671,624 A * 9/1997 Sivils 70/408
6,199,413 B1 * 3/2001 McDaid et al. 70/58
6,463,770 B1 * 10/2002 Lee 70/58
D505,854 S * 6/2005 Wyers D8/343
D515,399 S * 2/2006 Ho D8/330
D557,105 S * 12/2007 Lu D8/331
D564,338 S * 3/2008 Lu D8/331
D651,889 S * 1/2012 Mahaffey et al. D8/330

* cited by examiner

Primary Examiner — Prabhakar Deshmukh

(74) *Attorney, Agent, or Firm* — Schmeiser Olsen & Watts LLP

(57) **CLAIM**

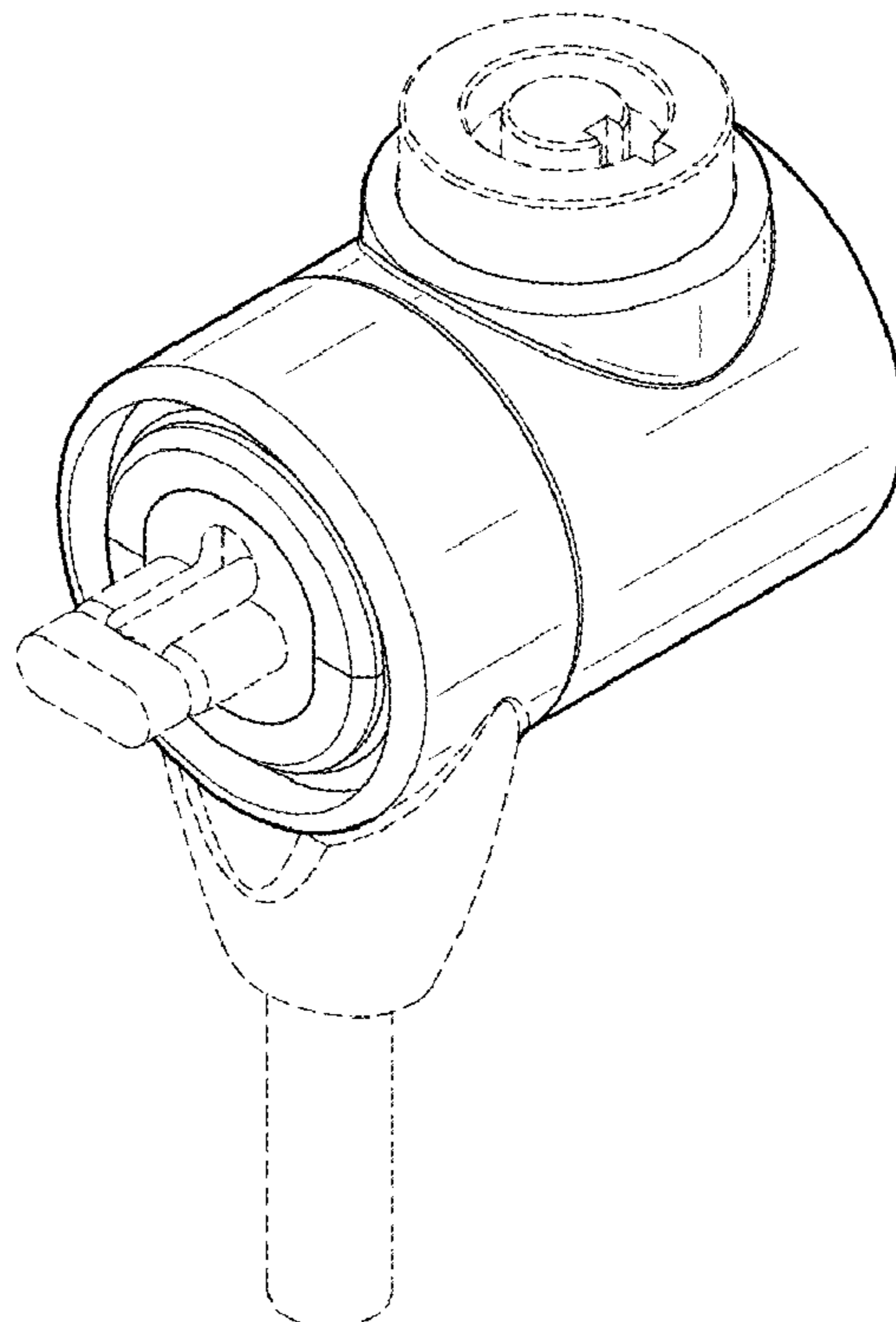
The ornamental design for a lock, as shown and described.

DESCRIPTION

FIG. 1 is a perspective view of a lock showing my new design; FIG. 2 is a front elevational view thereof; FIG. 3 is a rear elevational view thereof; FIG. 4 is a left side elevational view thereof; FIG. 5 is a right side elevational view thereof; FIG. 6 is a top plan view thereof; and, FIG. 7 is a bottom plan view thereof.

The broken lines environmental is for illustrative purpose only. The broken line adjacent to the shade lines form the boundary of the claimed design. None of the broken lines form part of the claimed design.

1 Claim, 7 Drawing Sheets



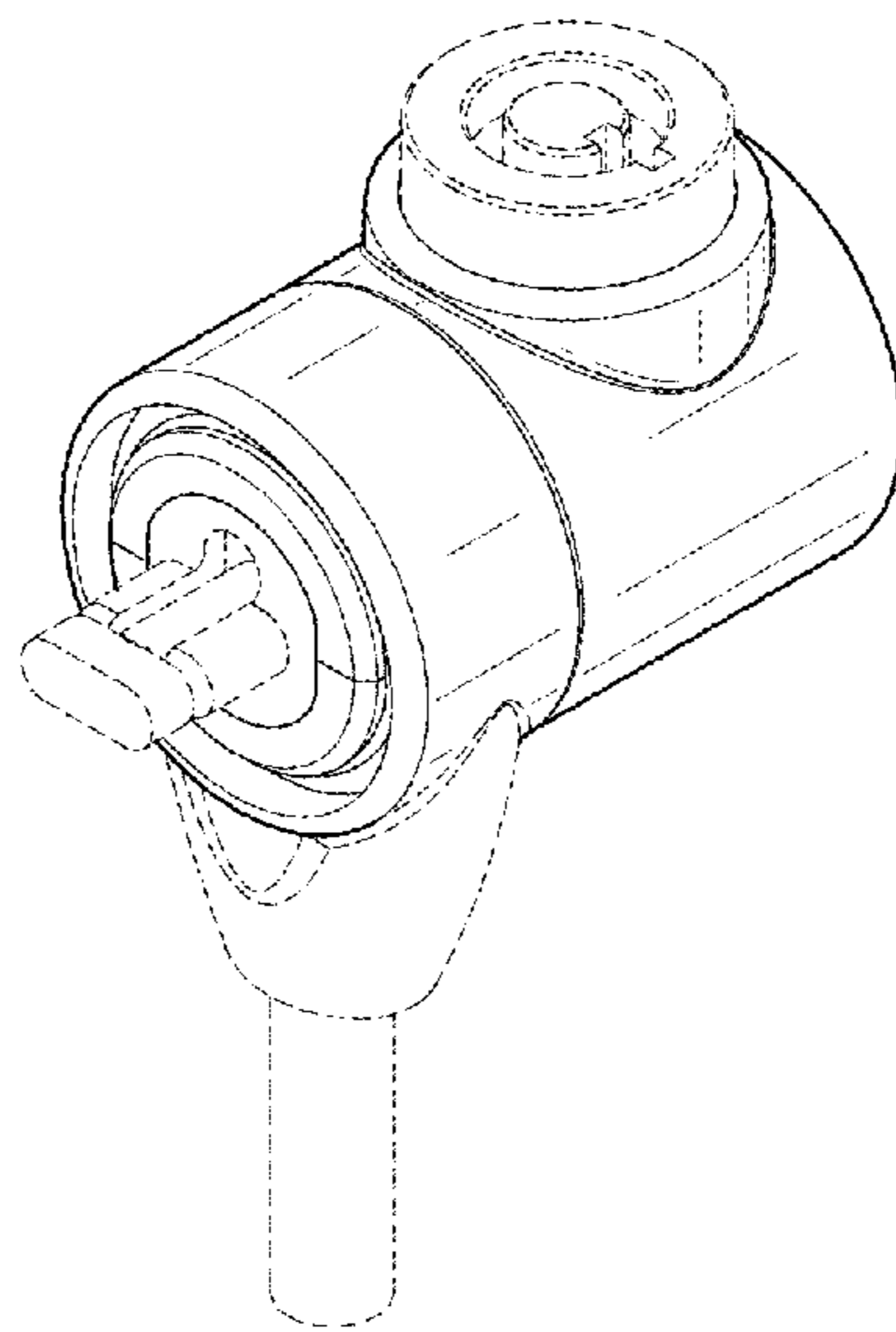


FIG.1

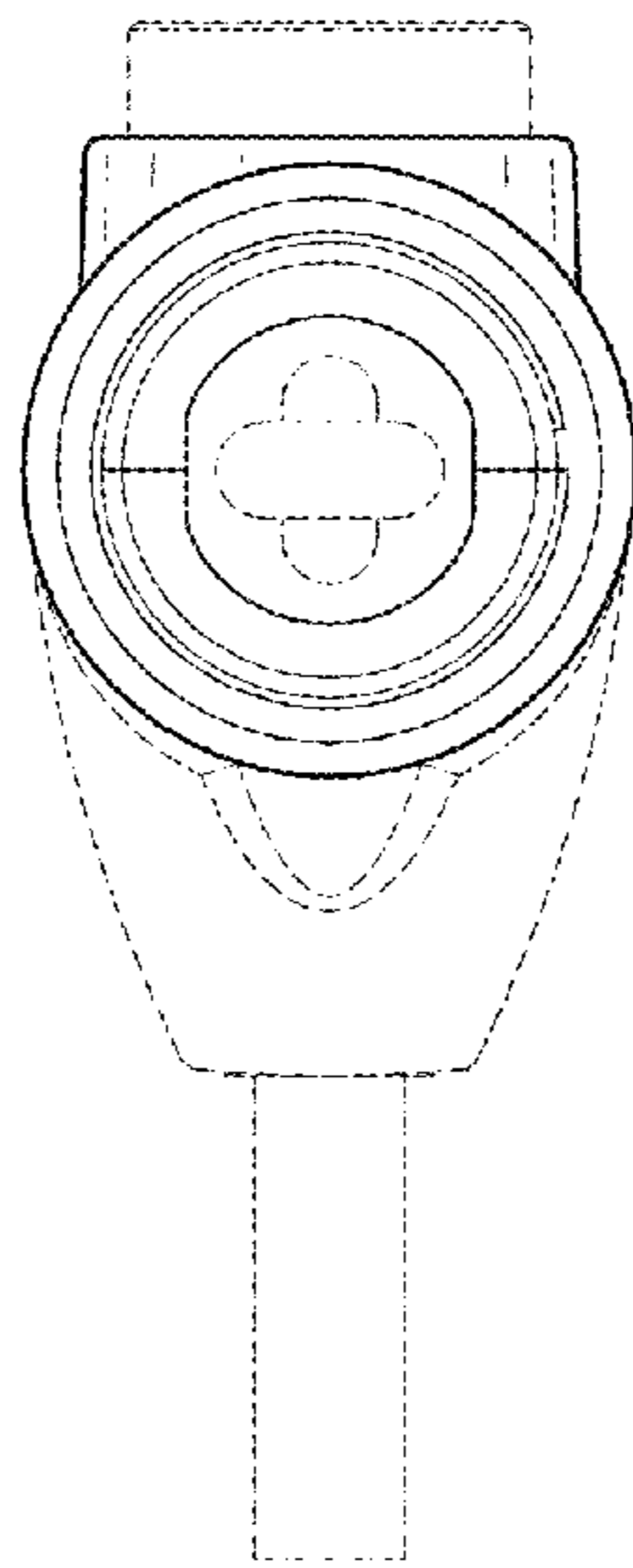


FIG.2

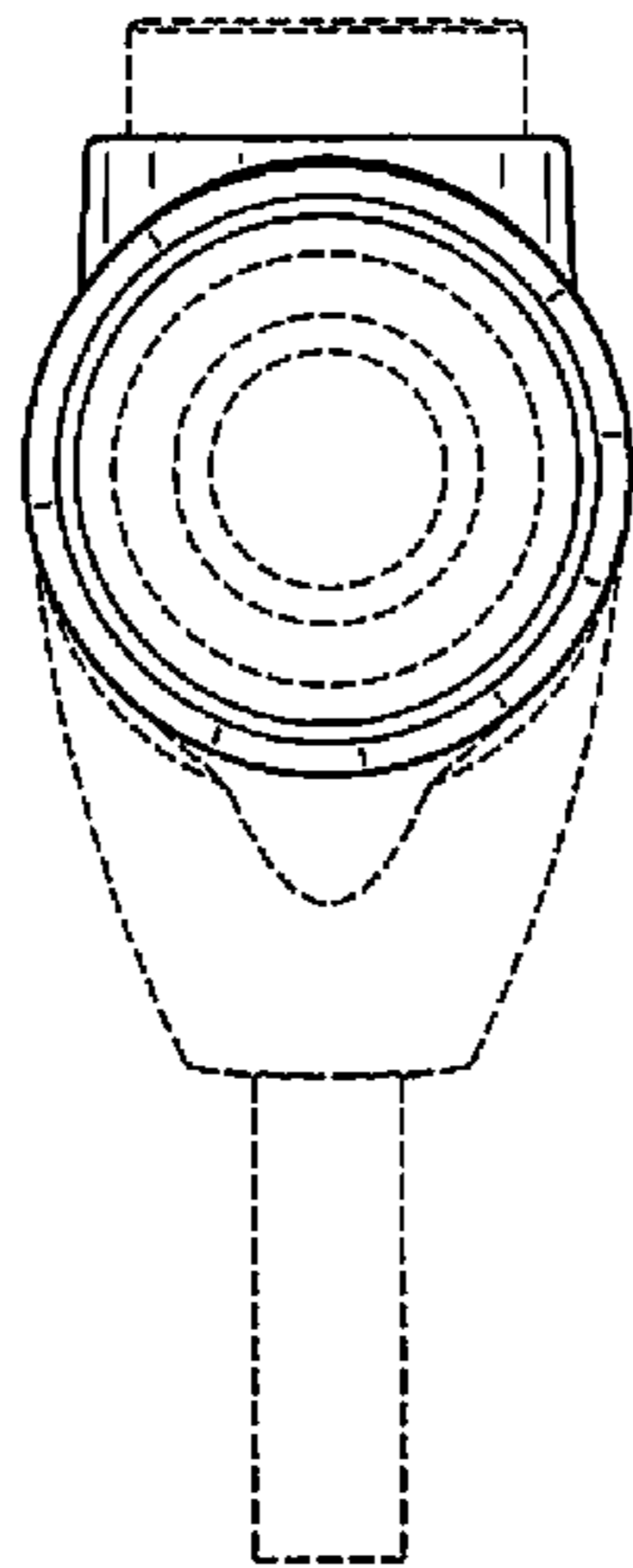


FIG.3

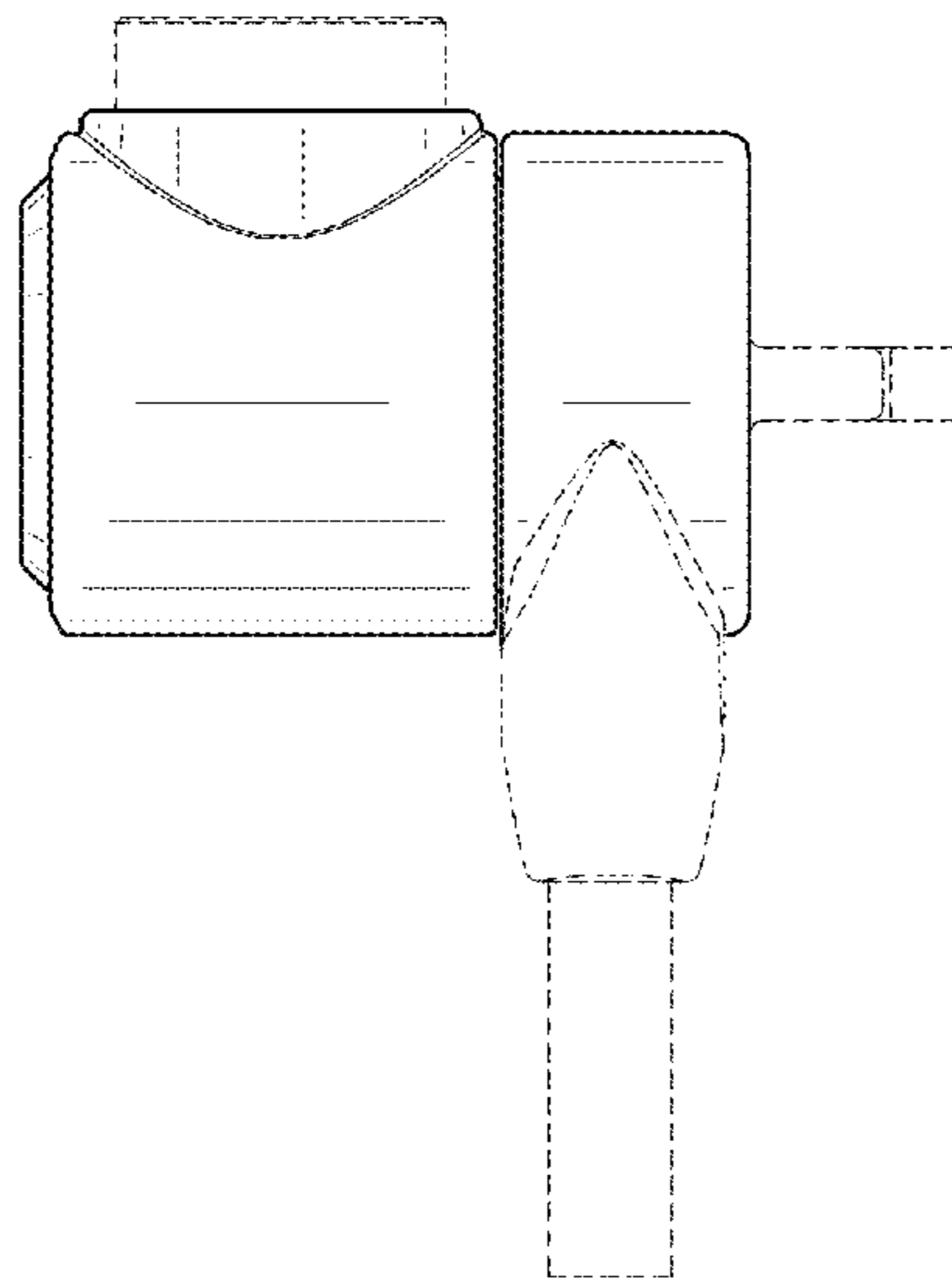


FIG.4

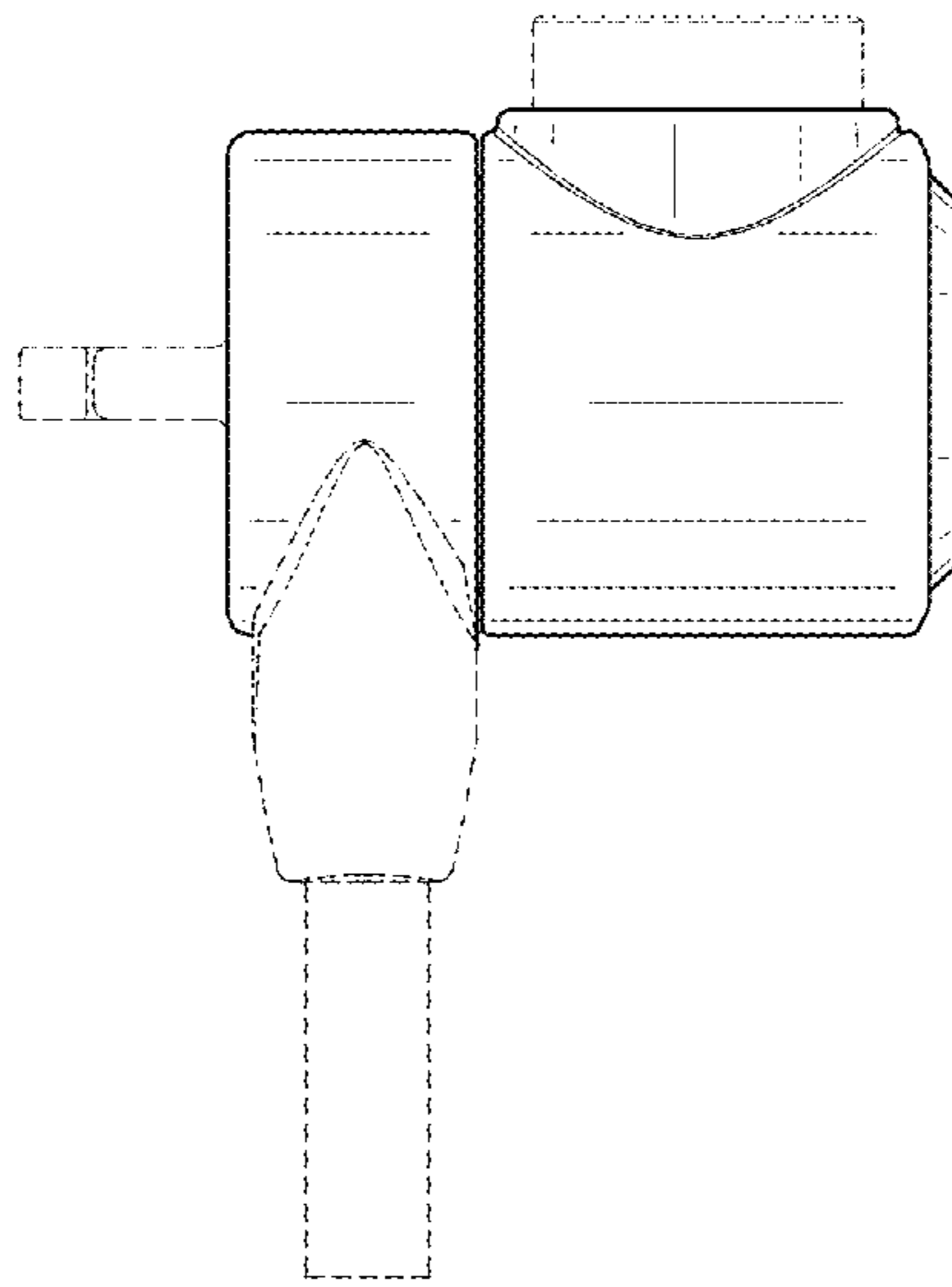


FIG.5

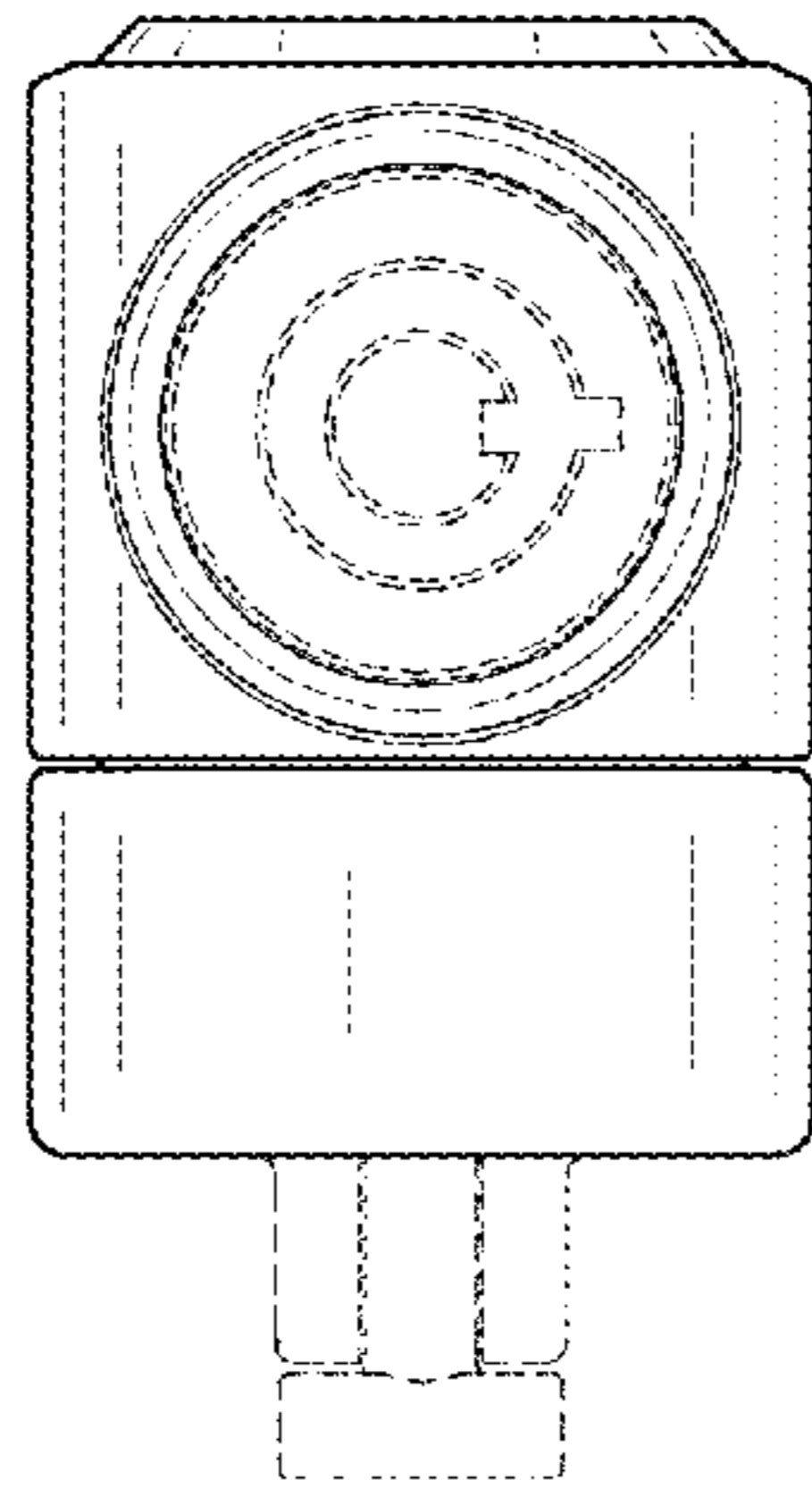


FIG.6

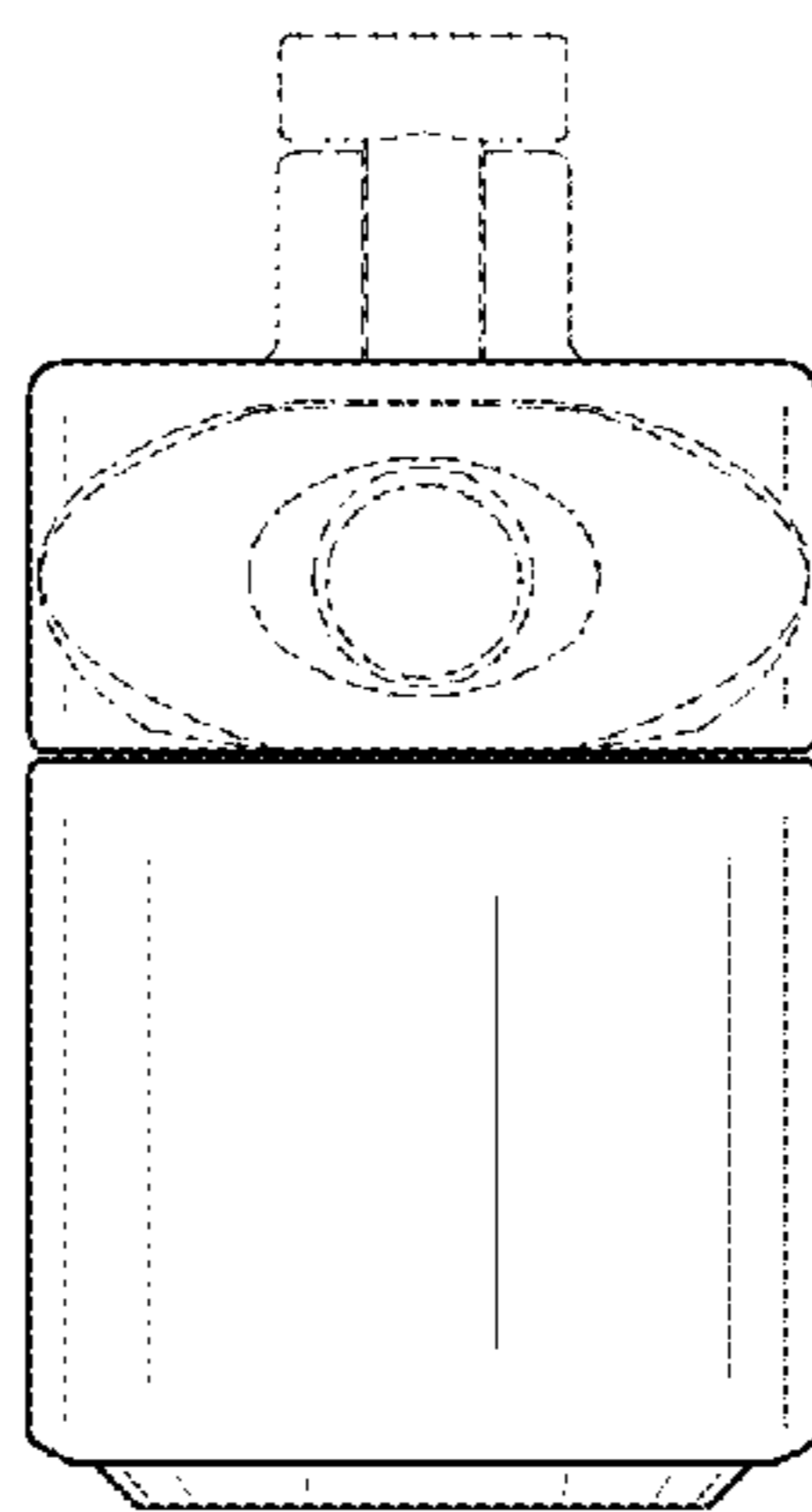


FIG. 7