



US00D670992S

(12) **United States Design Patent**
Gauthia et al.

(10) **Patent No.:** **US D670,992 S**

(45) **Date of Patent:** **** Nov. 20, 2012**

(54) **TOILET SEAT HANDLE LIFTING DEVICE**

(76) Inventors: **Erick Paul Gauthia**, Beaumont, TX
(US); **Harlan William Taft**, Beaumont,
TX (US)

(**) Term: **14 Years**

(21) Appl. No.: **29/372,996**

(22) Filed: **Feb. 15, 2011**

(51) **LOC (9) Cl.** **08-06**

(52) **U.S. Cl.** **D8/307**

(58) **Field of Classification Search** D8/300,
D8/303, 305, 307; D23/252, 311; 4/246.1,
4/237, 661; 16/110.1, 905; 224/901; 428/343
See application file for complete search history.

(56) **References Cited**

U.S. PATENT DOCUMENTS

D191,497	S	*	10/1961	Hottle	D8/300
4,519,105	A	*	5/1985	Blanck	4/246.1
D295,603	S	*	5/1988	Giallourakis	D8/307
D295,604	S	*	5/1988	Purdy	D8/307
4,742,582	A	*	5/1988	Giallourakis	4/246.1
4,839,928	A	*	6/1989	Probasco	4/246.1
4,850,502	A	*	7/1989	Davis	220/759
D325,510	S	*	4/1992	Slye	D8/307
5,220,693	A	*	6/1993	Paglia	4/246.1
D361,369	S	*	8/1995	Garner	D8/307
D363,344	S	*	10/1995	Hazard	D8/307
5,553,332	A	*	9/1996	Hazard	4/246.1

D399,937	S	*	10/1998	Earleywine	D23/311
D432,636	S	*	10/2000	Huot	D23/311
D440,642	S	*	4/2001	English et al.	D8/307
D507,168	S	*	7/2005	Richard, Jr.	D8/307
6,926,960	B1	*	8/2005	Hoshino et al.	428/350
D630,928	S	*	1/2011	Pavese	D8/307

* cited by examiner

Primary Examiner — Paula Greene

(57) **CLAIM**

The ornamental design for toilet seat handle lifting device, as shown and described.

DESCRIPTION

FIG. 1 is a front perspective view of a toilet seat handle lifting device showing our new design;
 FIG. 2 is a front perspective view thereof;
 FIG. 3 is a top perspective view thereof;
 FIG. 4 is a bottom perspective view thereof;
 FIG. 5 is a top plan view thereof;
 FIG. 6 is a bottom plan view thereof;
 FIG. 7 is a right side elevational view thereof; the left side elevational view is a mirror image;
 FIG. 8 is a front elevational view thereof;
 FIG. 9 is a rear elevational view thereof;
 FIG. 10 is a perspective view thereof;
 FIG. 11 is a perspective view in an alternate position; and,
 FIG. 12 is a perspective view thereof.
 The broken lines form no part of the claimed design.

1 Claim, 3 Drawing Sheets

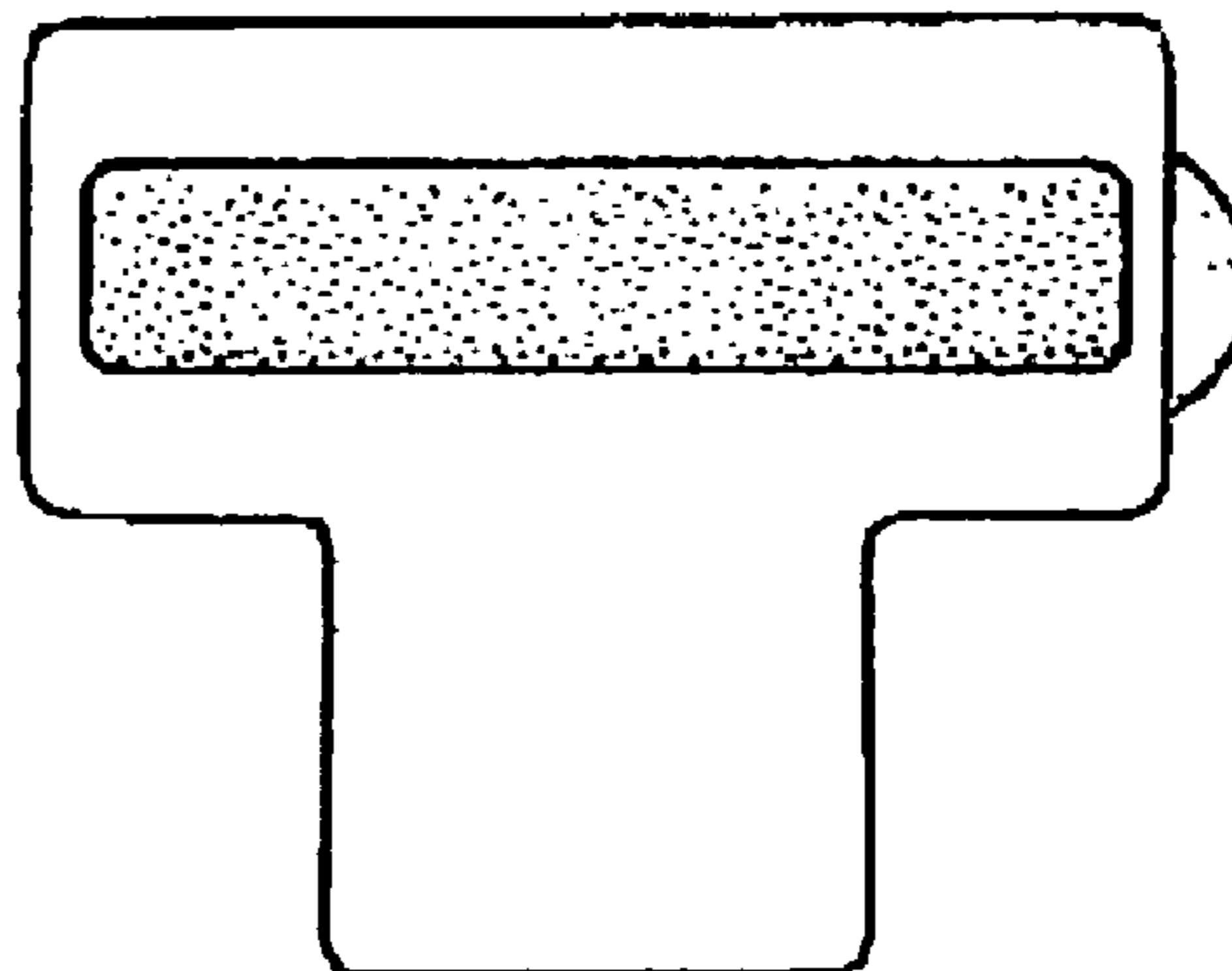
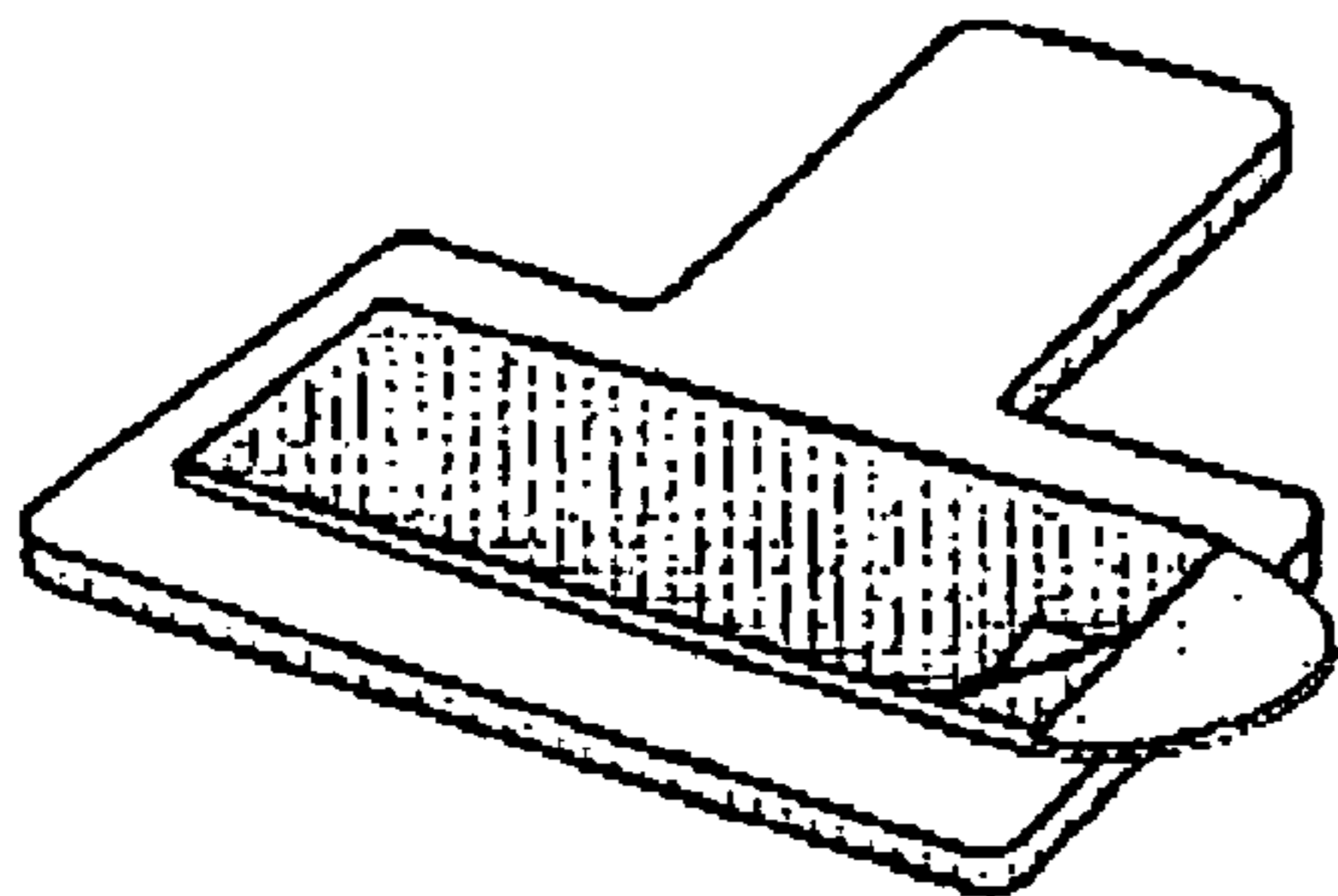


FIG. 1

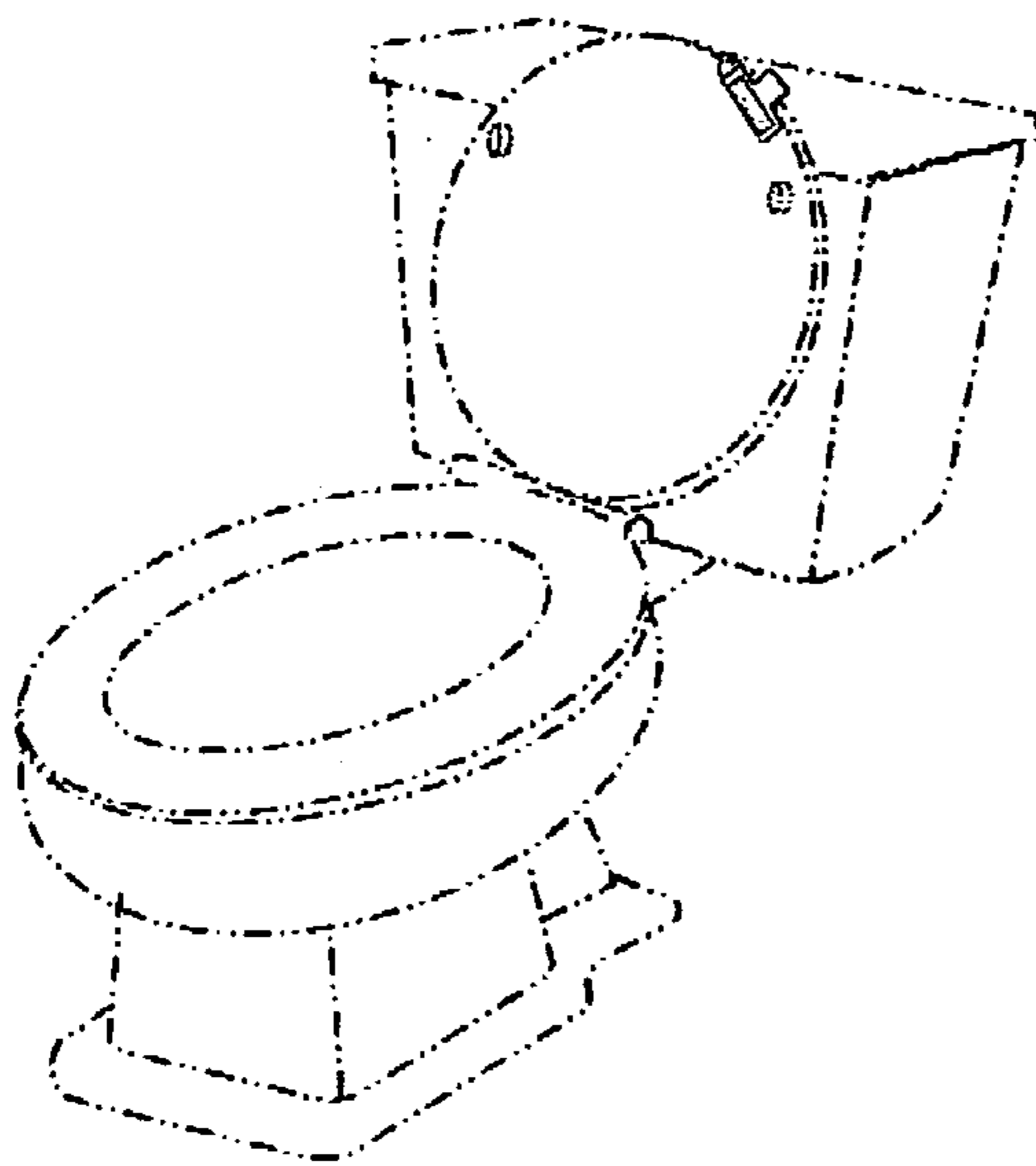


FIG. 2

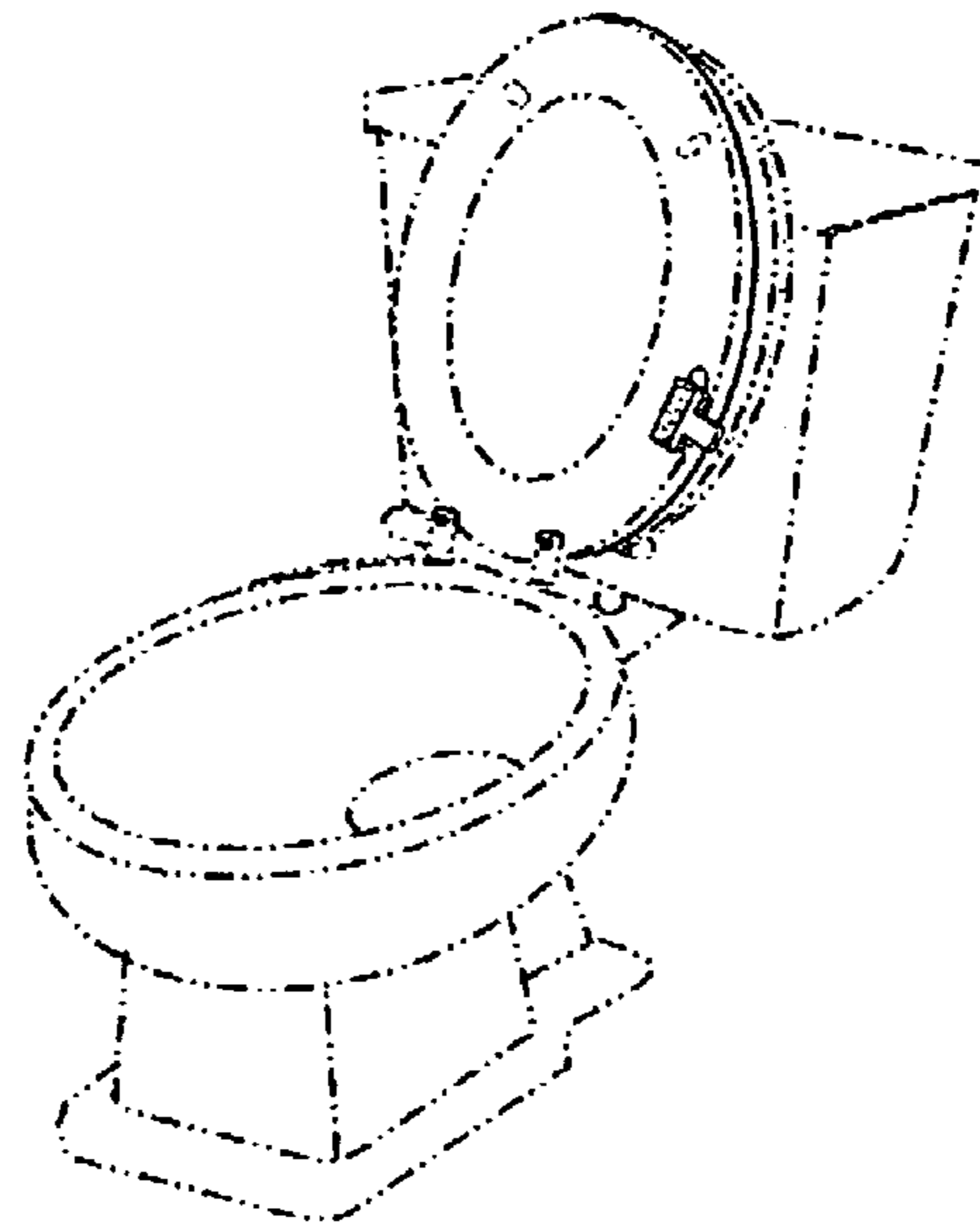


FIG. 3

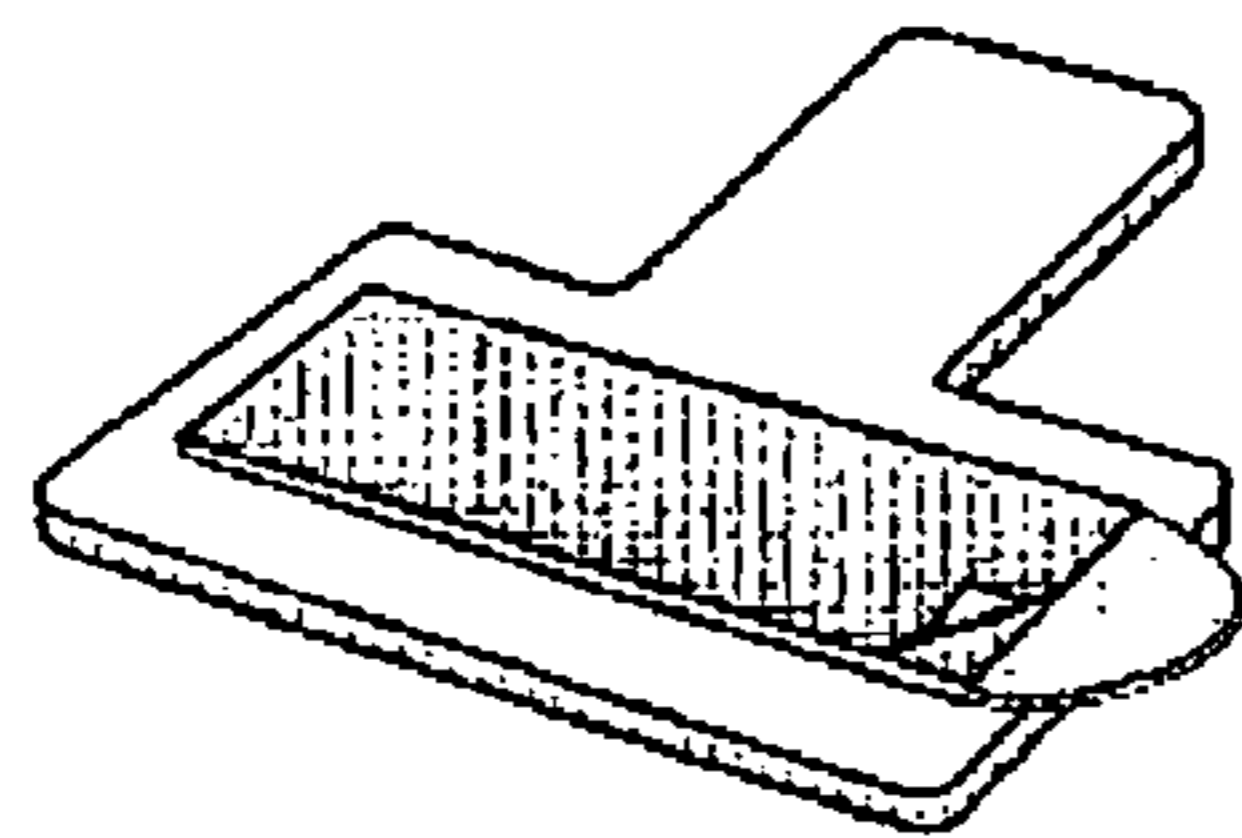


FIG. 4

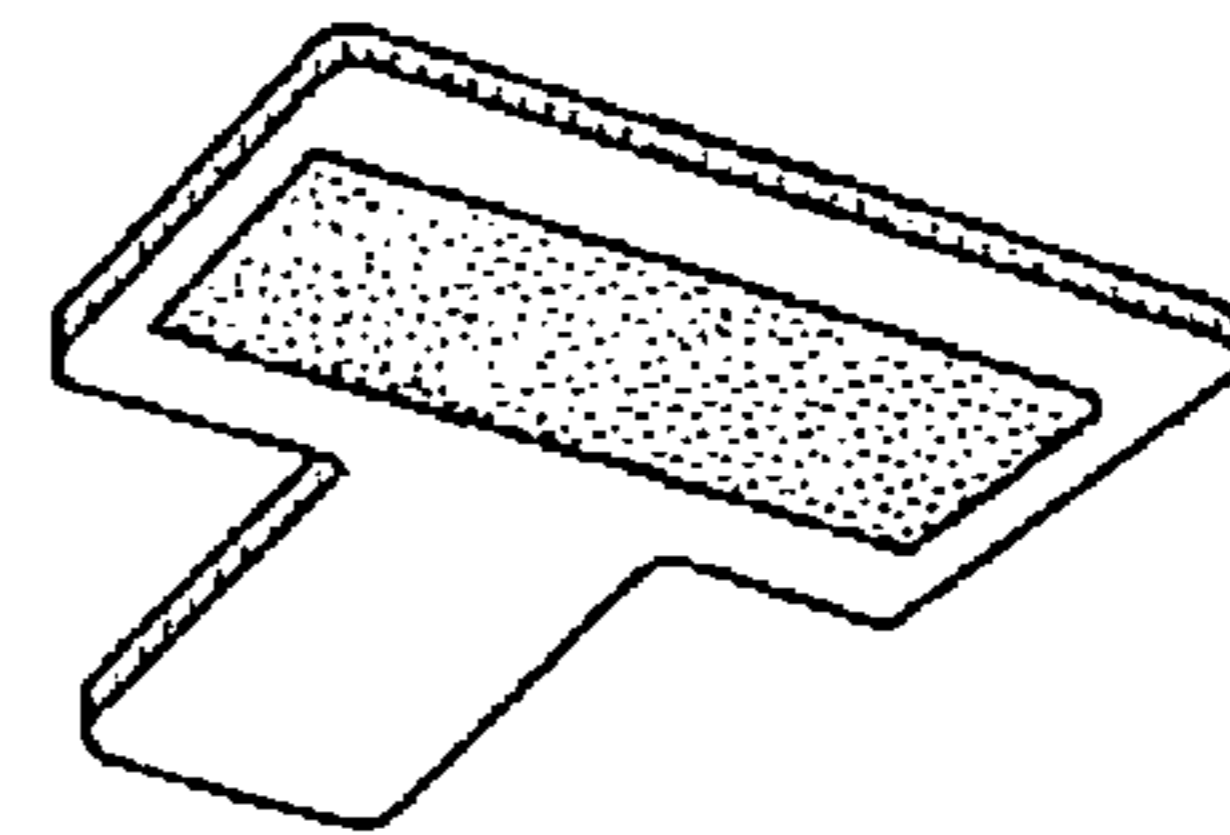


FIG. 5

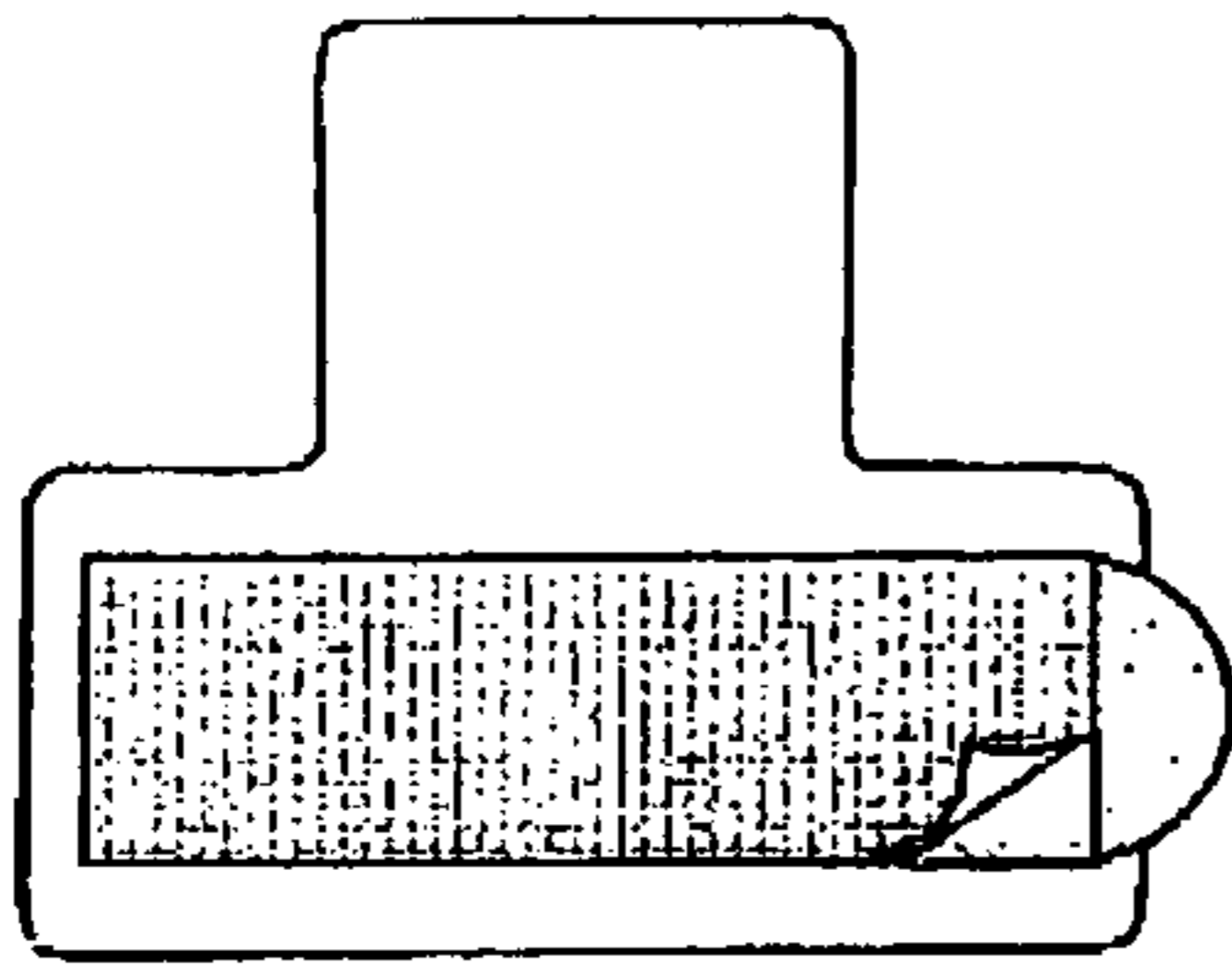


FIG. 6

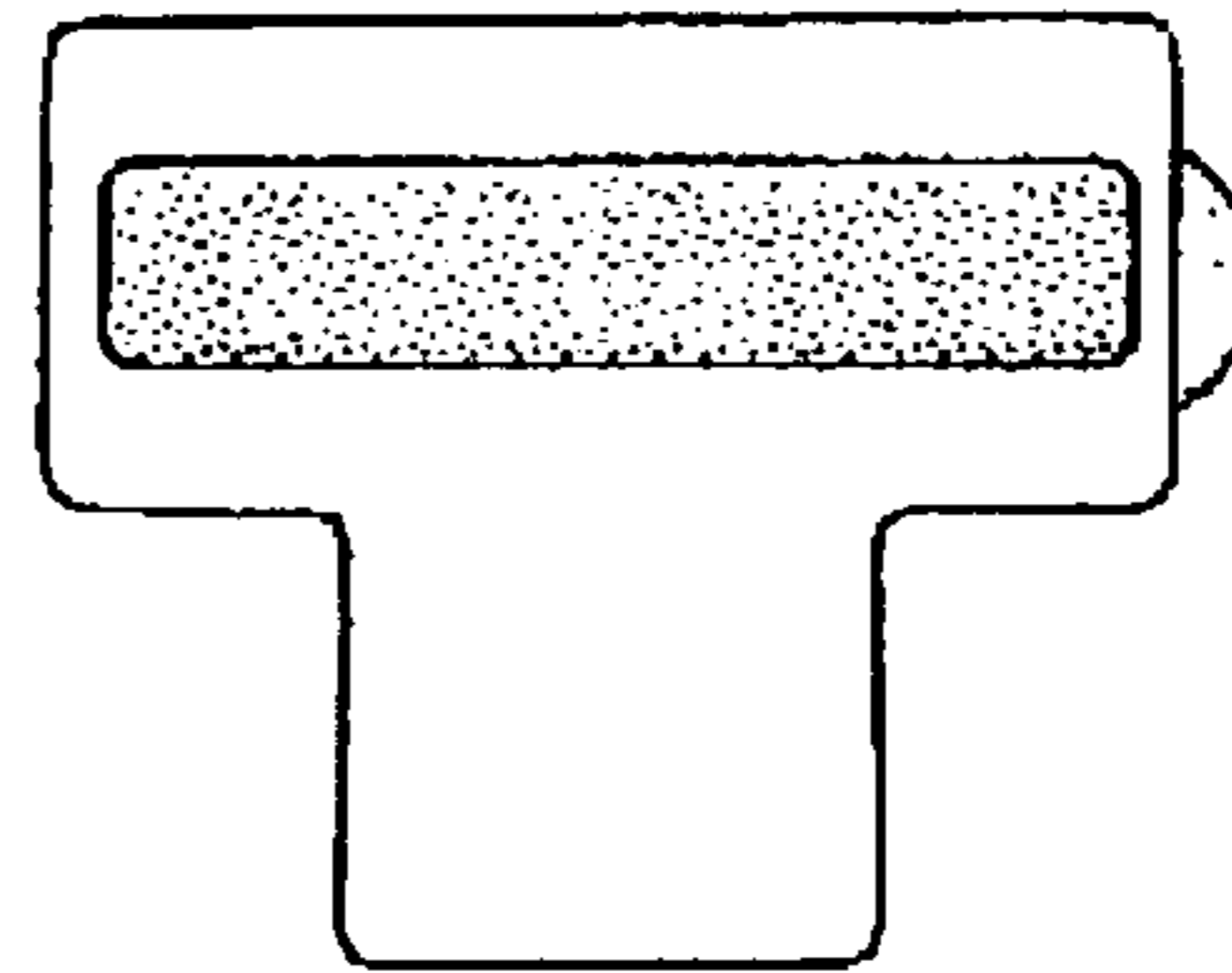


FIG. 7



FIG. 8



FIG. 9



FIG. 10

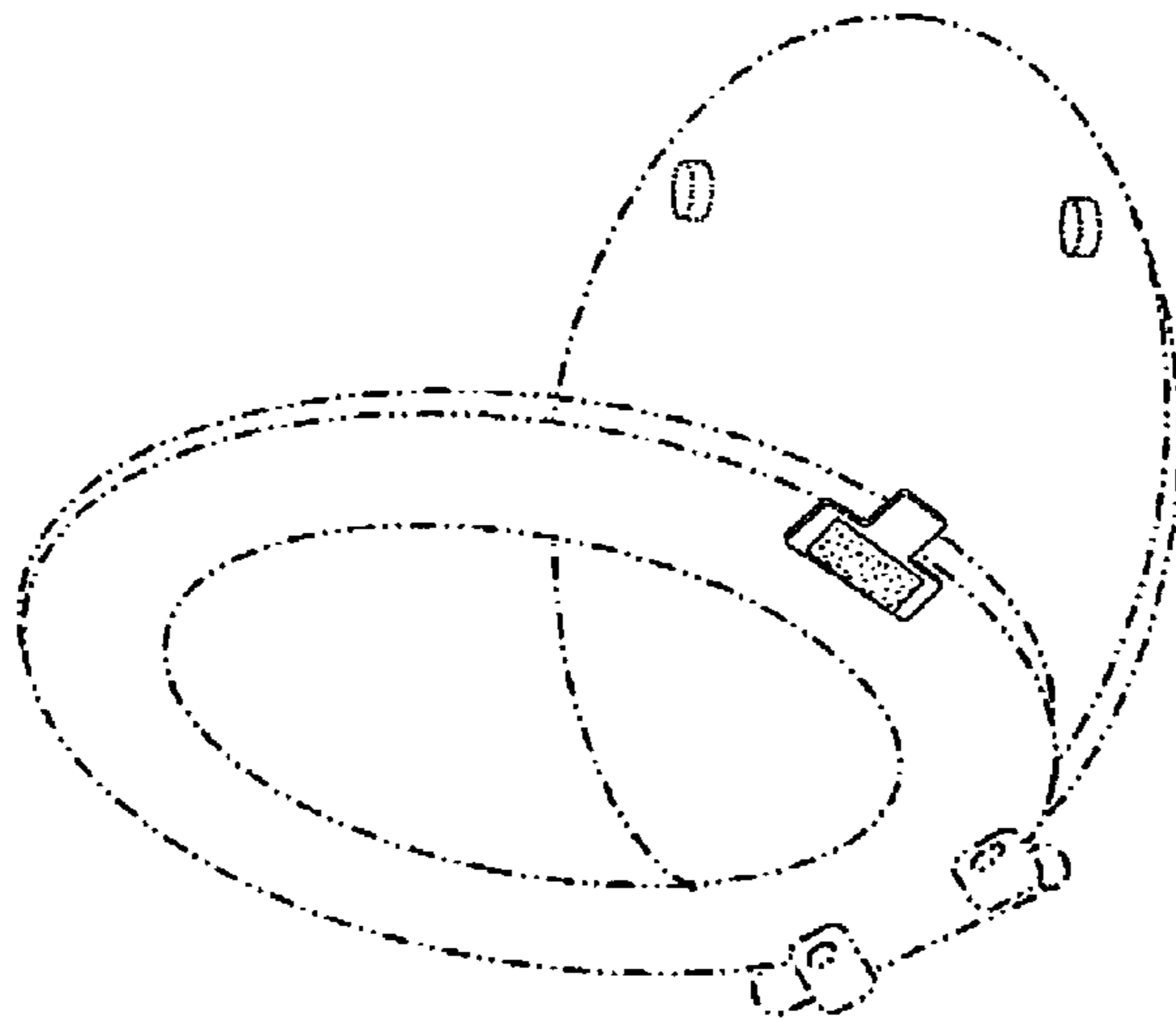


FIG. 11

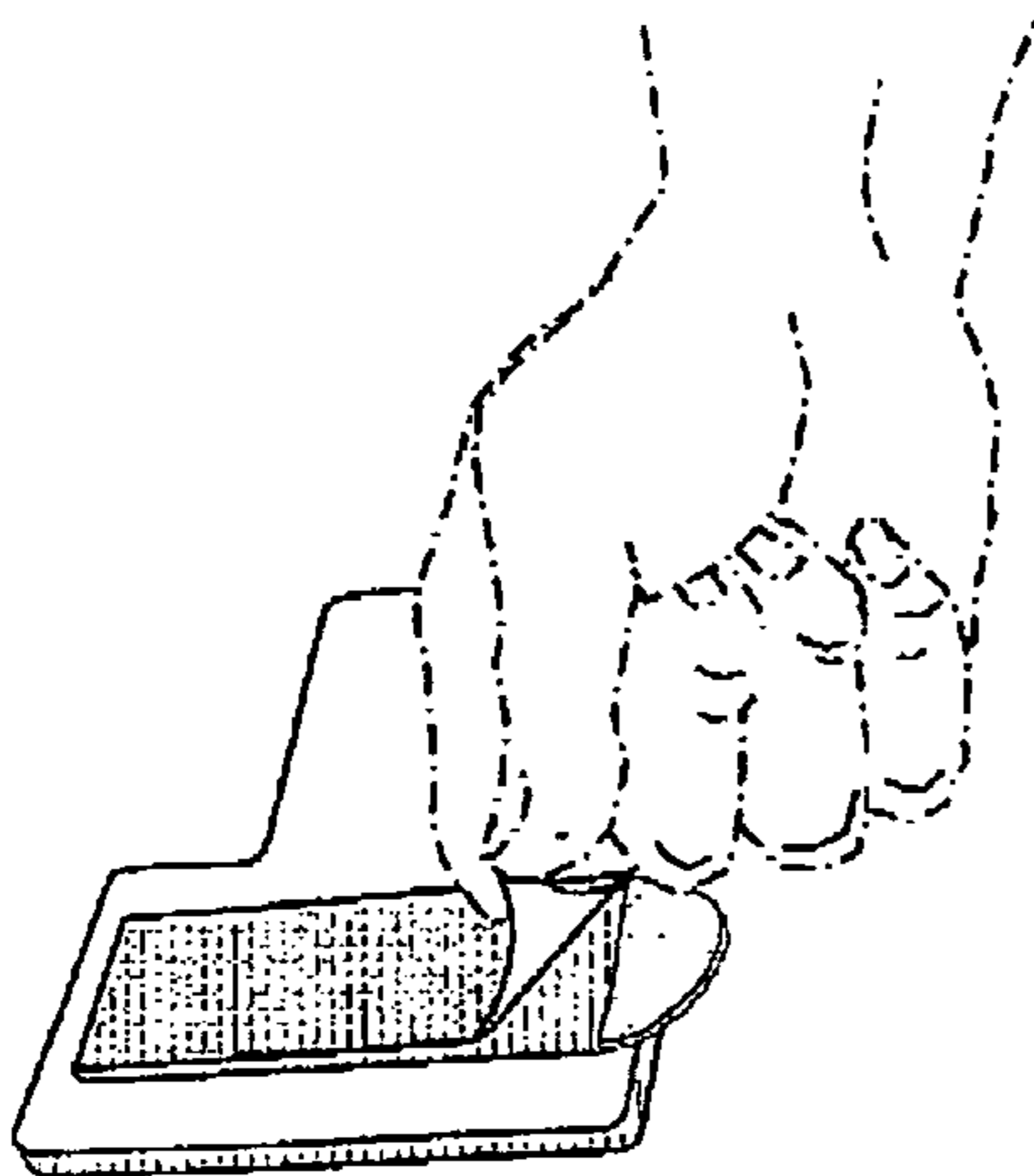


FIG. 12

