



US00D670989S

(12) **United States Design Patent**
Kawase et al.

(10) **Patent No.:** **US D670,989 S**

(45) **Date of Patent:** **** Nov. 20, 2012**

(54) **PORTABLE ELECTRIC DRIVER DRILL**

(75) Inventors: **Tomonori Kawase**, Anjo (JP);
Tomoyuki Kondo, Anjo (JP); **Zhiqiang Lu**, Jiangsu (CN)

(73) Assignee: **Makita Corporation**, Anjo-shi (JP)

(**) Term: **14 Years**

(21) Appl. No.: **29/401,116**

(22) Filed: **Sep. 7, 2011**

(30) **Foreign Application Priority Data**

May 24, 2011 (JP) 2011-11629

(51) **LOC (9) Cl.** **08-03**

(52) **U.S. Cl.** **D8/68; D8/61**

(58) **Field of Classification Search** D8/61,
D8/67, 68; 81/57.4, 489; 173/48, 109, 170,
173/178, 217; 227/114, 120; 408/67, 117,
408/124, 125; 362/119; 16/436; 475/149

See application file for complete search history.

(56) **References Cited**

U.S. PATENT DOCUMENTS

D519,808 S * 5/2006 Otsuka et al. D8/68
D525,505 S * 7/2006 Ito et al. D8/68

(Continued)

FOREIGN PATENT DOCUMENTS

DE 10304656 A1 * 8/2004

(Continued)

OTHER PUBLICATIONS

Makita Tools, Makita 18V Compact 1/2" Hammer Driver-Drill
(Model LXPH01CW), Product Flyer / Brochure Apr. 25, 2012

[online]. [Retrieved Aug. 23, 2012] Retrieved from Internet: <URL:
<http://www.makita.com/en-us/Modules/Tools/ToolDetails.aspx?ID=549987>>.*

(Continued)

Primary Examiner — Philip S Hyder

Assistant Examiner — Darlington Ly

(74) *Attorney, Agent, or Firm* — Global IP Counselors, LLP

(57) **CLAIM**

The ornamental design for a portable electric driver drill, as shown and described.

DESCRIPTION

FIG. 1 is a front perspective view of a portable electric driver drill in accordance with our new design;

FIG. 2 is a rear perspective view of the portable electric driver drill in accordance with our new design;

FIG. 3 is a front elevational view of the portable electric driver drill in accordance with our new design;

FIG. 4 is a rear elevational view of the portable electric driver drill in accordance with our new design;

FIG. 5 is a top plan view of the portable electric driver drill in accordance with our new design;

FIG. 6 is a bottom plan view of the portable electric driver drill in accordance with our new design;

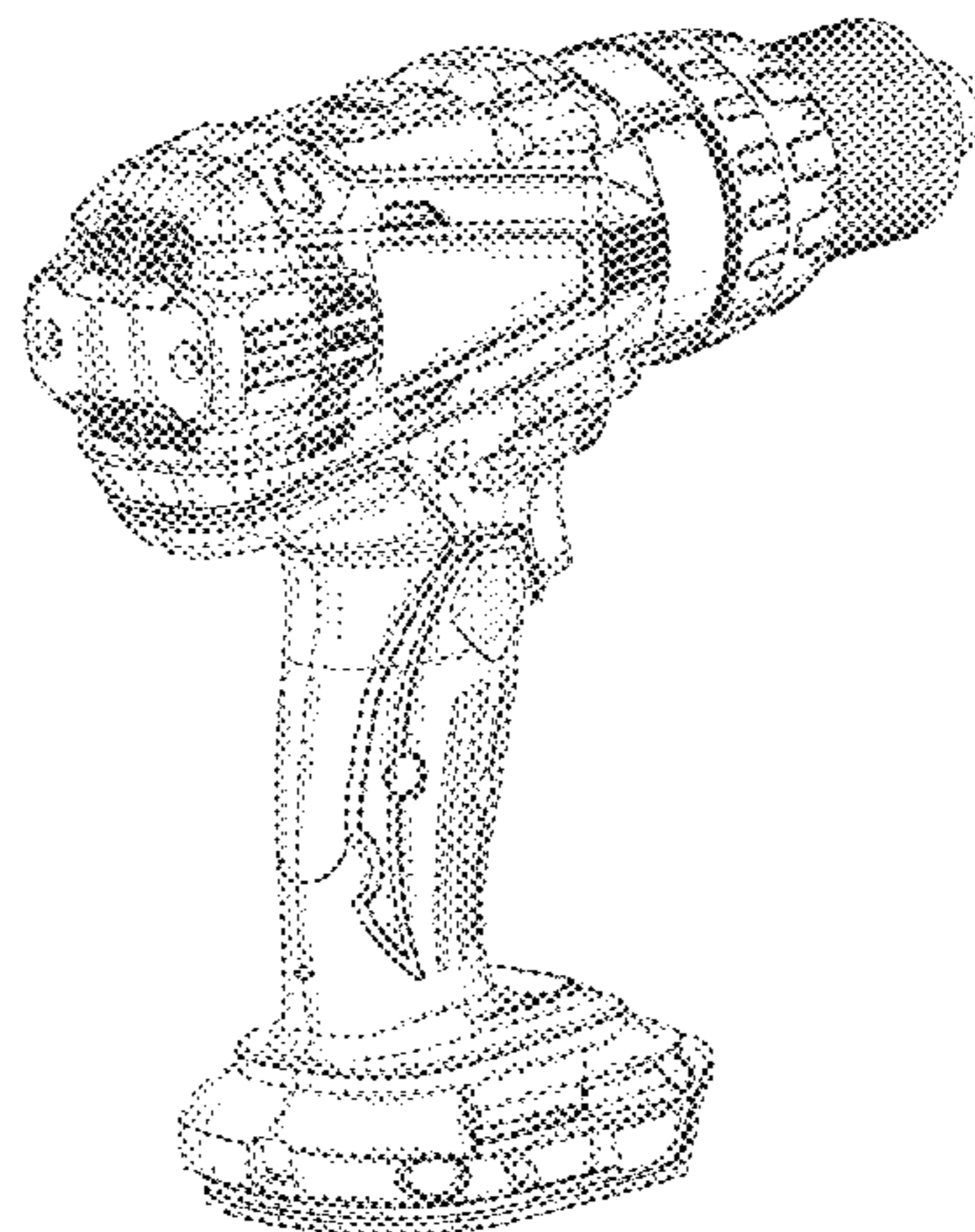
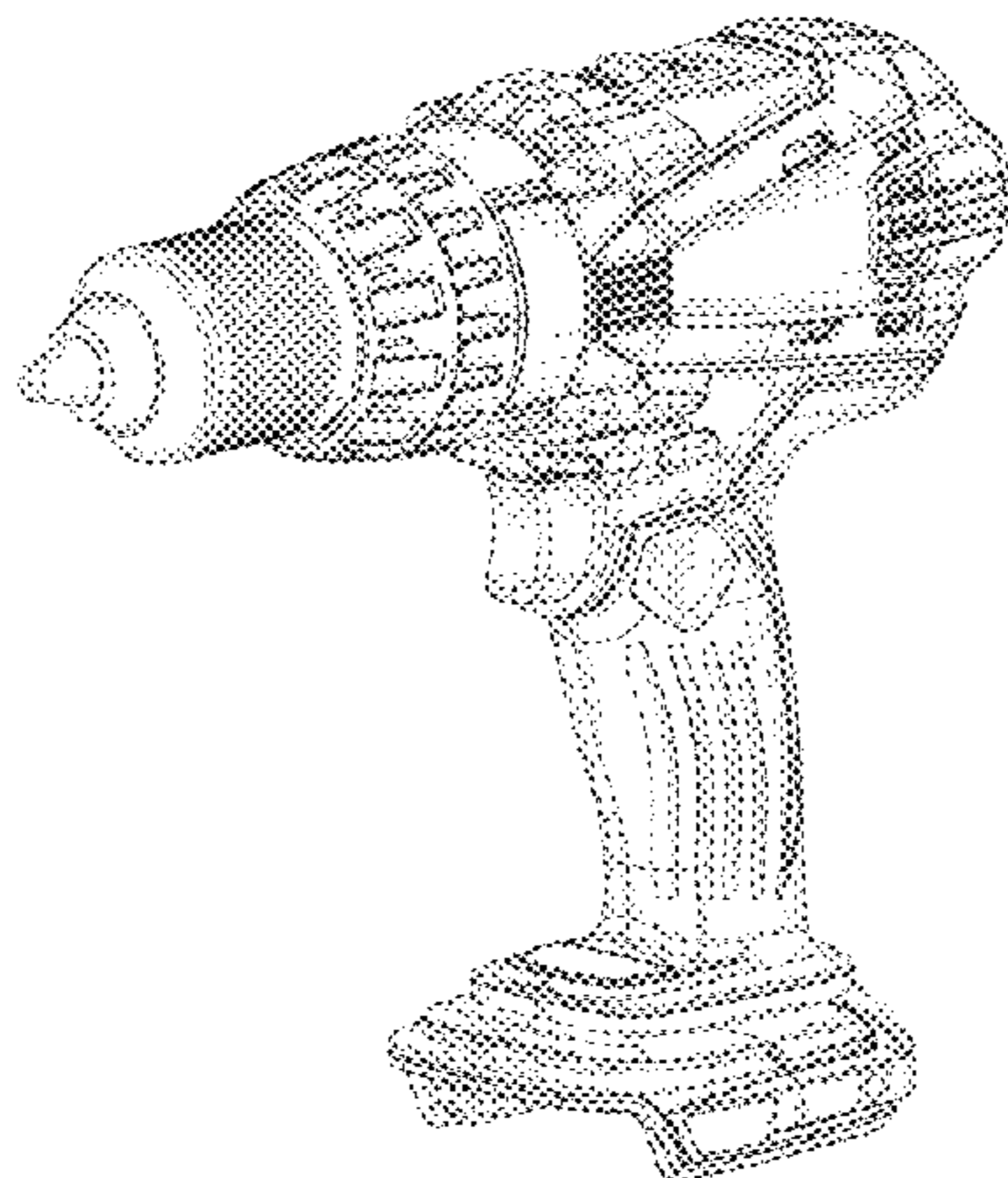
FIG. 7 is a right side elevational view of the portable electric driver drill in accordance with our new design;

FIG. 8 is a left side elevational view of the portable electric driver drill in accordance with our new design; and,

FIG. 9 is a front perspective view of the portable electric driver drill in accordance with our new design illustrating a state in which a battery is attached to the portable electric driver drill.

The broken line showing of environment in FIGS. 1-9 is for illustrative purposes only and forms no part of the claimed design.

1 Claim, 9 Drawing Sheets



US D670,989 S

Page 2

U.S. PATENT DOCUMENTS

D605,014 S * 12/2009 Yamamoto D8/68
D618,975 S * 7/2010 Yamamoto D8/68
D644,495 S * 9/2011 Misaki et al. D8/68
8,113,297 B2 * 2/2012 Sakakibara et al. 173/170
8,210,273 B2 * 7/2012 Suzuki et al. 173/2
2002/0054798 A1 * 5/2002 Dils et al. 408/124
2009/0302554 A1 * 12/2009 Thiel 279/62
2010/0084150 A1 * 4/2010 Suzuki et al. 173/2
2012/0048587 A1 * 3/2012 Umemura et al. 173/217
2012/0100405 A1 * 4/2012 Noda et al. 429/92
2012/0162840 A1 * 6/2012 Noda 361/78

FOREIGN PATENT DOCUMENTS

EP 1266725 A1 * 12/2002

EP 1781074 A2 * 5/2007
GB 2432809 A * 12/2005
JP 2004230538 A * 1/2003
JP 2008036753 A * 2/2008
JP D1399585 S 10/2010
JP 2011016201 A * 1/2011

OTHER PUBLICATIONS

Makita Tools, Makita Model DF330DW, Owners Manual Jun. 23, 2009 [online]. [Retrieved Aug. 23, 2012] Retrieved from Internet: <URL: <http://toolmonger.com/2009/06/23/makita-108v-li-ion-38-driver-drill-kit/>>.*

* cited by examiner

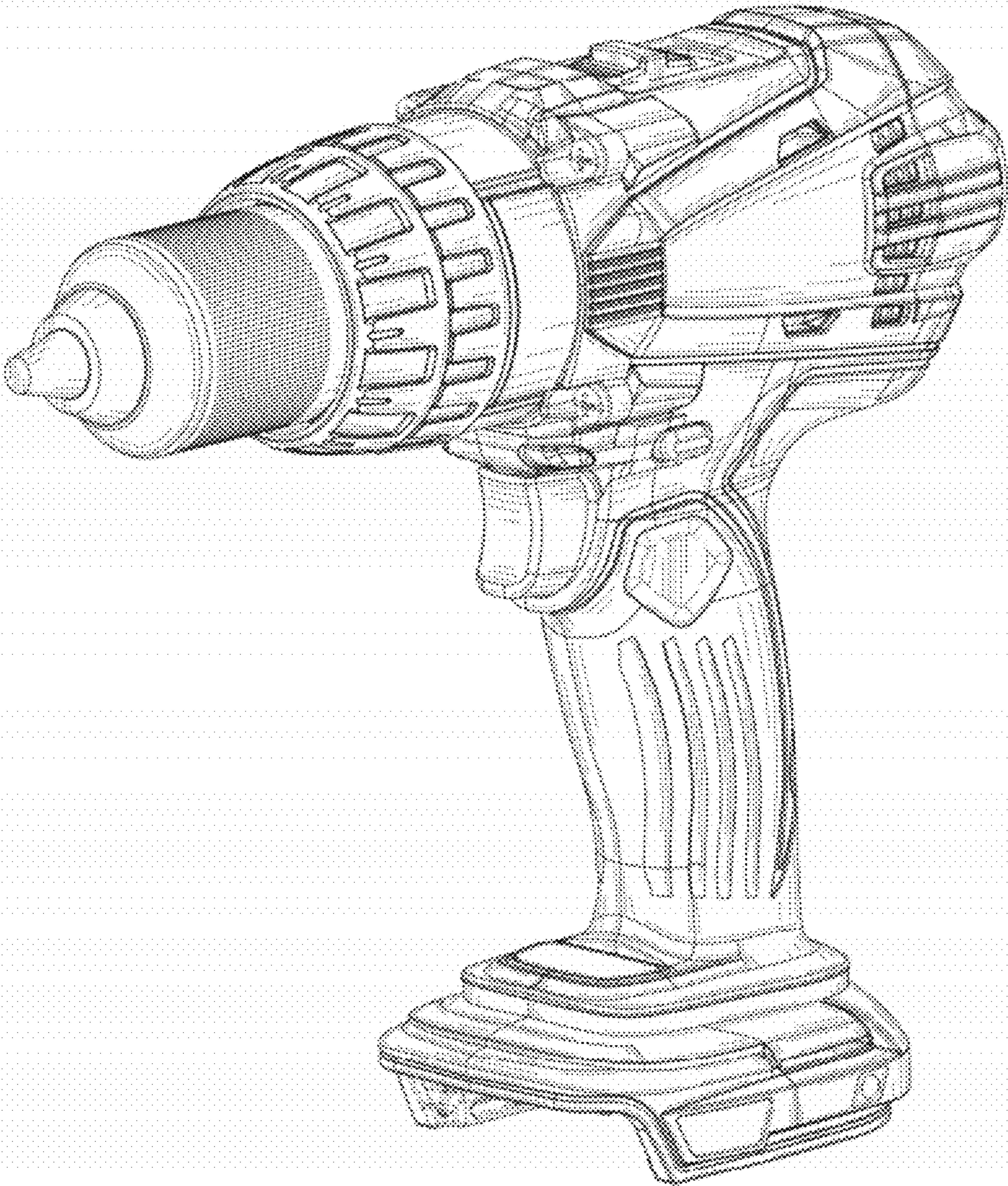


FIG. 1

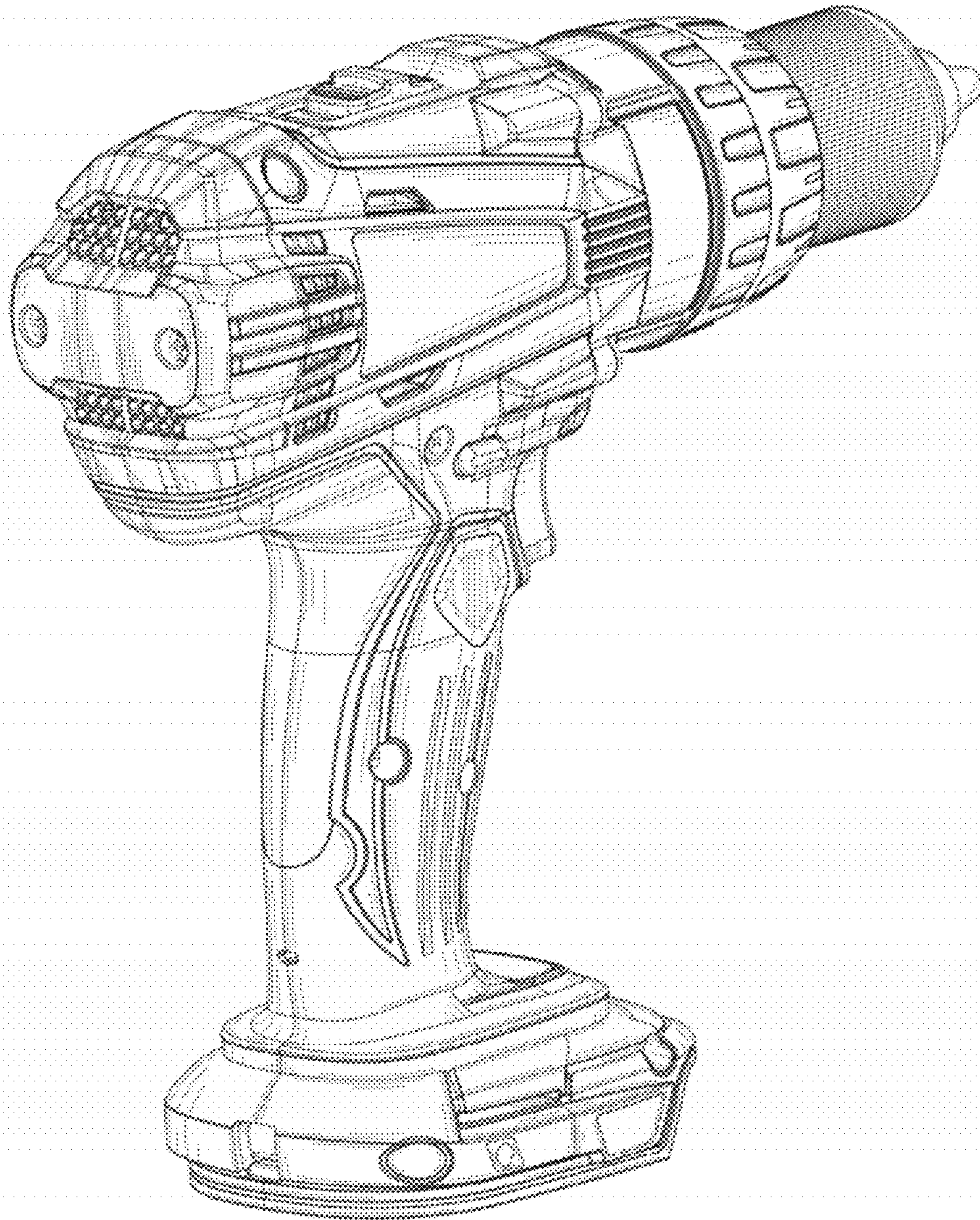


FIG. 2

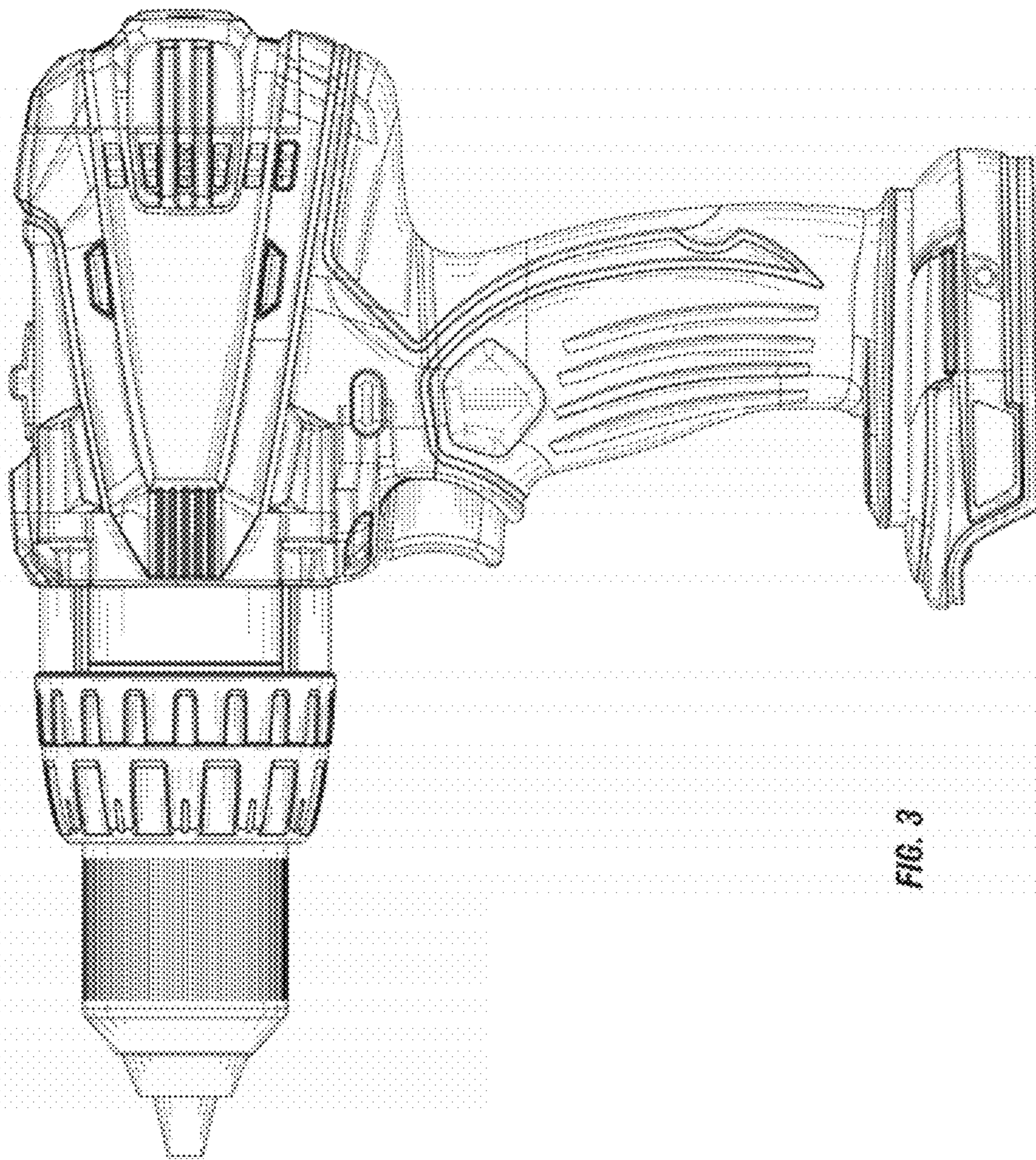


FIG. 3

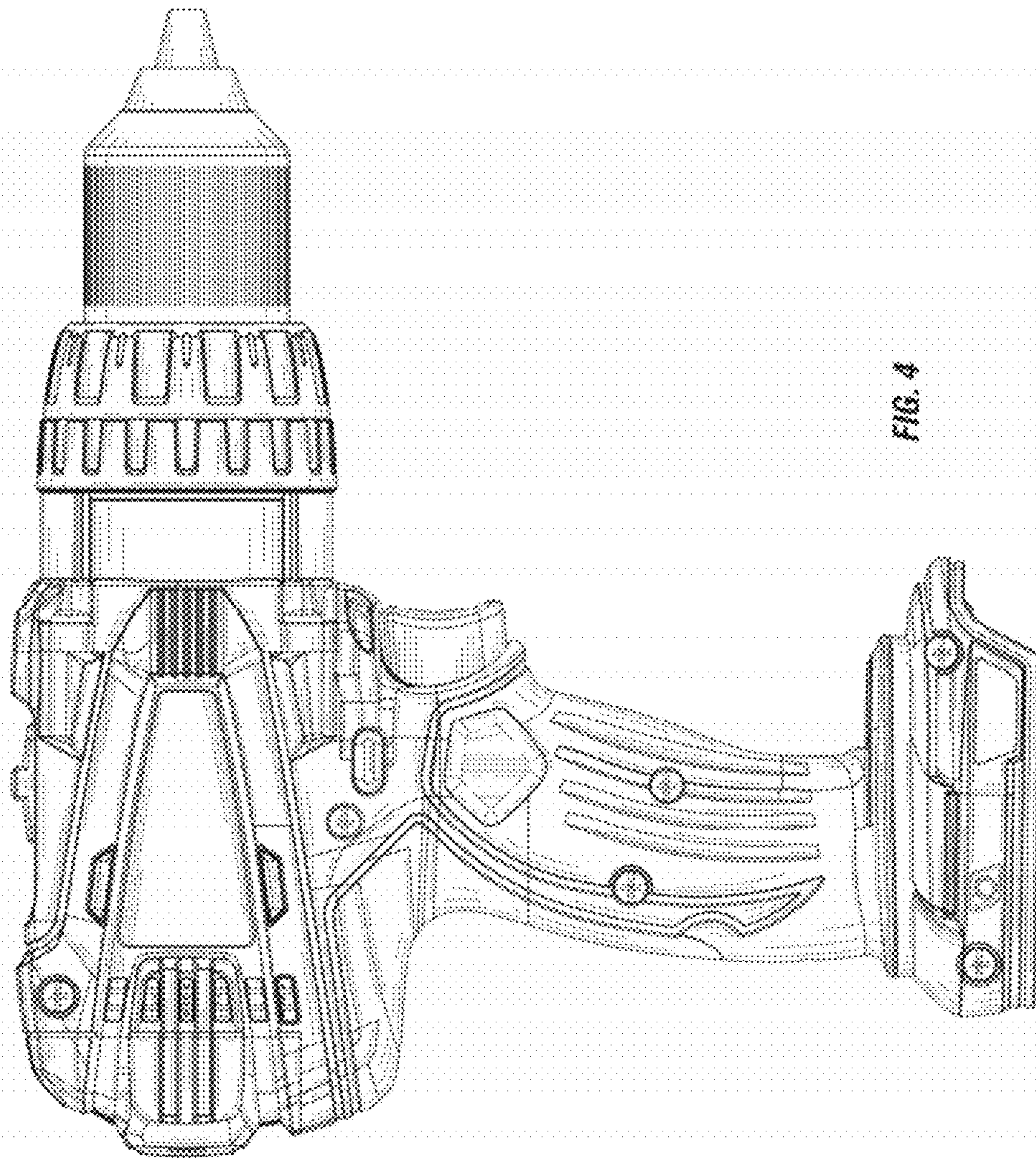


FIG. 4

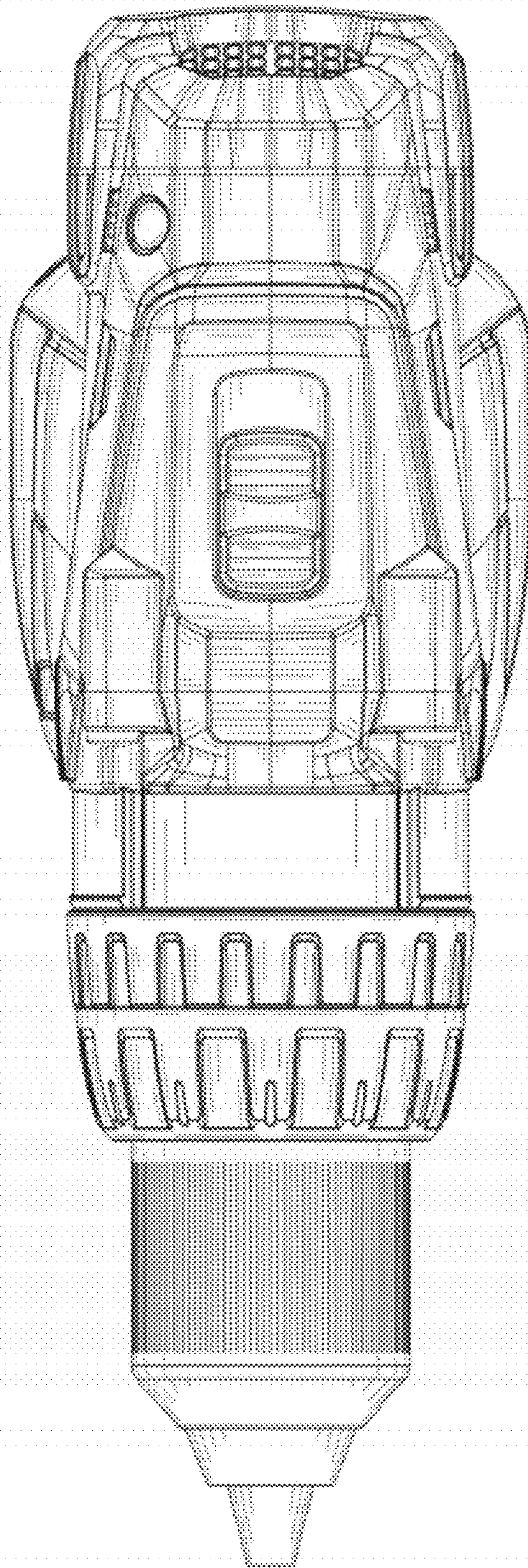


FIG. 5

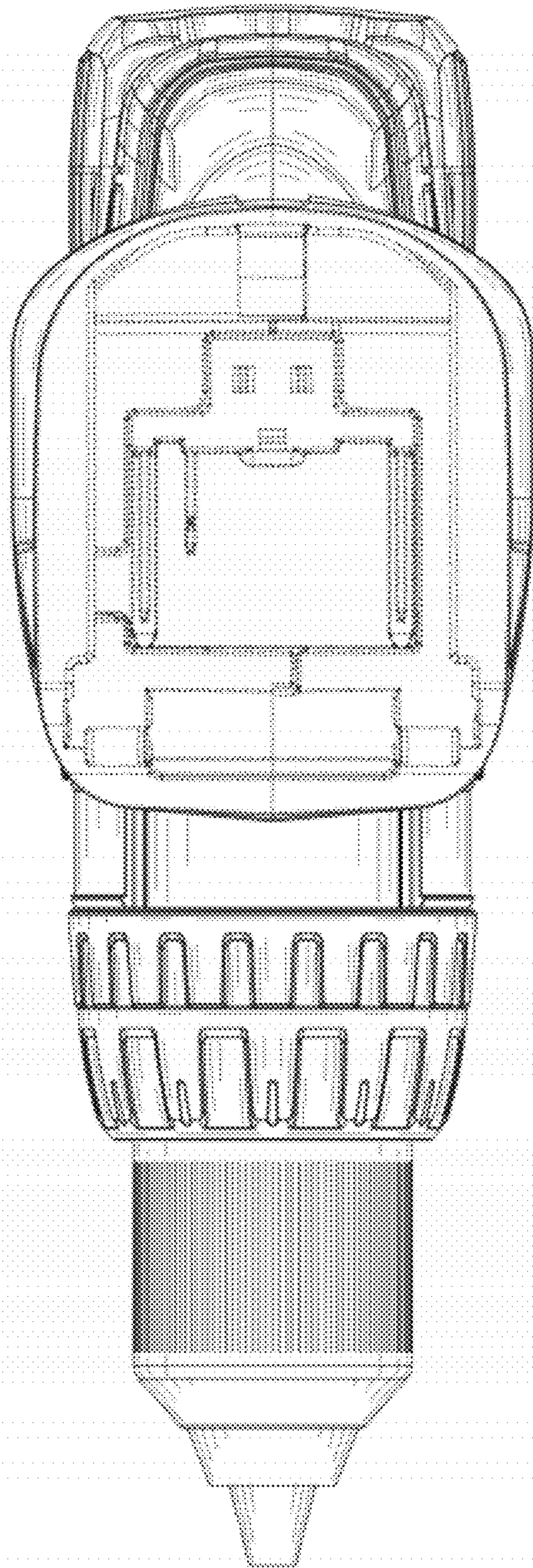


FIG. 6

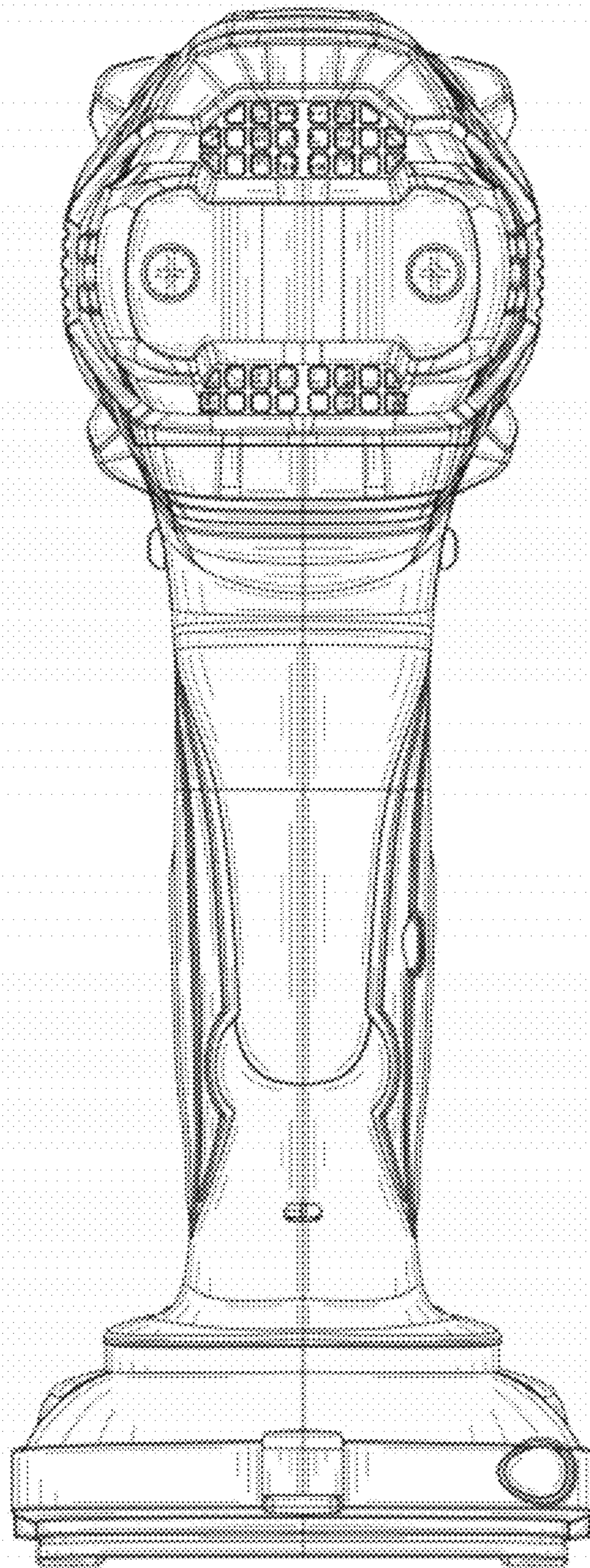


FIG. 7

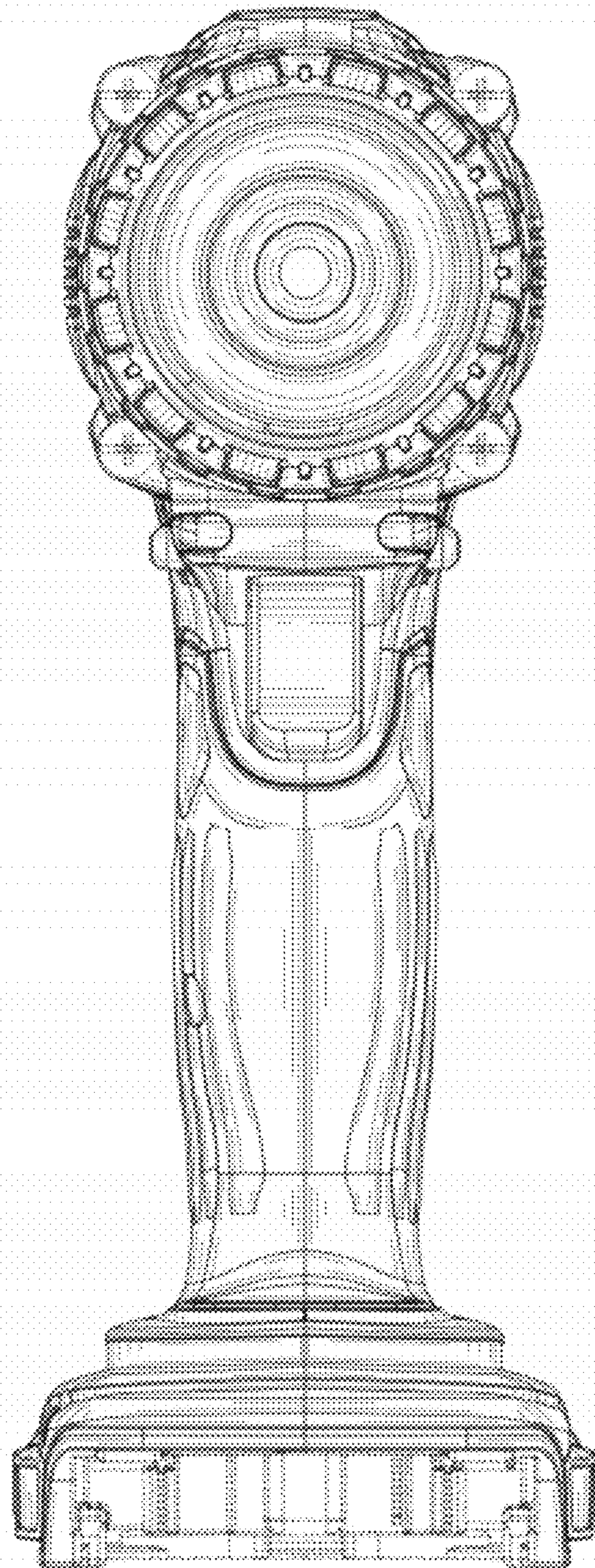


FIG. 8

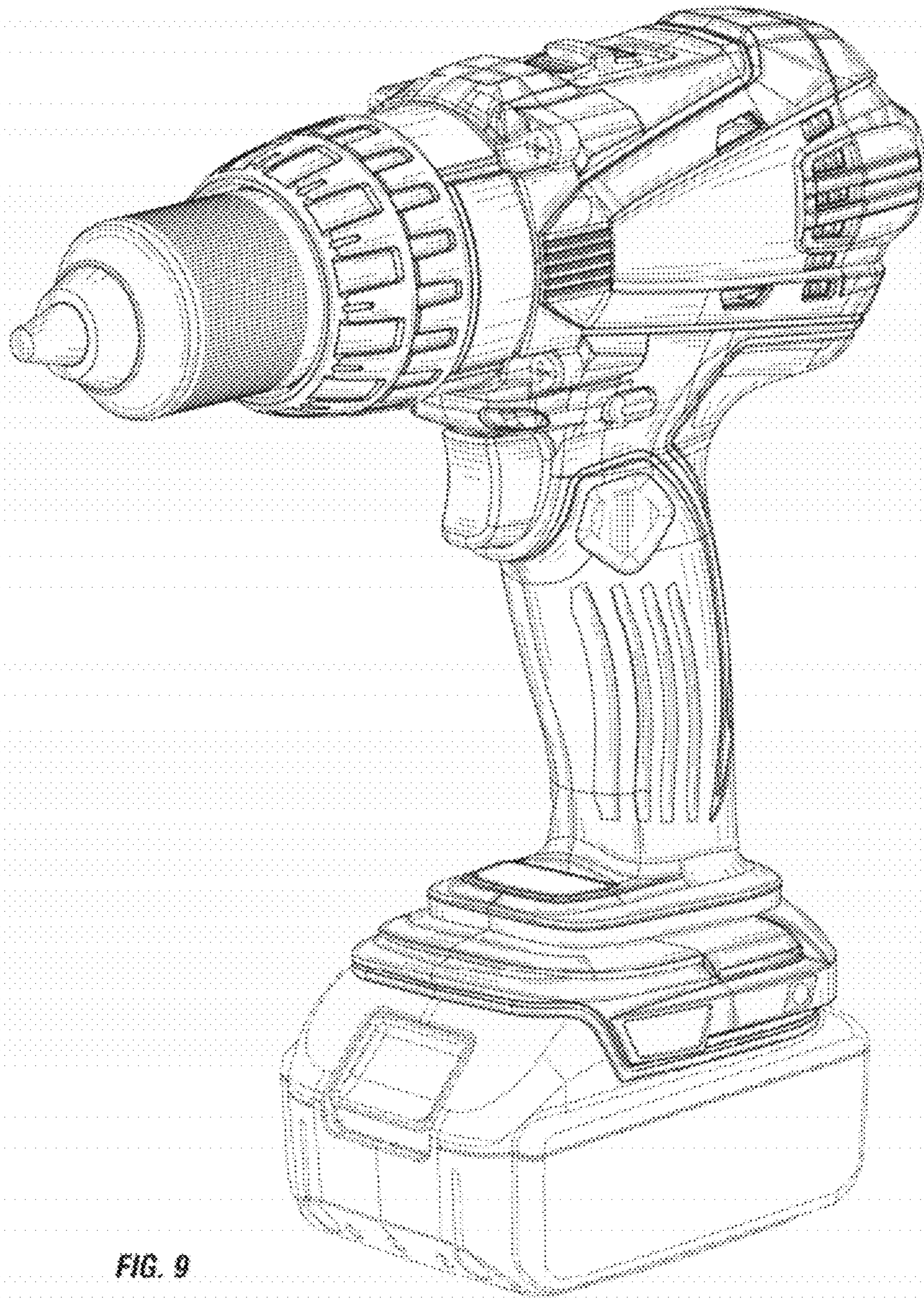


FIG. 9