



US00D670987S

(12) **United States Design Patent**
Aglassinger

(10) **Patent No.:** **US D670,987 S**

(45) **Date of Patent:** **** Nov. 20, 2012**

(54) **CORDLESS DRIVER**

(75) Inventor: **Hans-Peter Aglassinger**, Esslingen (DE)

(73) Assignee: **Robert Bosch GmbH**, Stuttgart (DE)

(**) Term: **14 Years**

(21) Appl. No.: **29/408,478**

(22) Filed: **Dec. 13, 2011**

(51) **LOC (9) Cl.** **08-01**

(52) **U.S. Cl.** **D8/61**

(58) **Field of Classification Search** D8/61,
D8/62, 67, 69; 81/57, 57.11, 57.14, 57.26,
81/429, 464, 469; 173/2, 170, 176, 181
See application file for complete search history.

(56) **References Cited**

U.S. PATENT DOCUMENTS

D200,732	S	*	3/1965	Fischer	D8/61
4,913,204	A	*	4/1990	Moores et al.	144/136.95
D335,808	S	*	5/1993	Bruno et al.	D8/61
D336,228	S	*	6/1993	Anderson et al.	D8/61
D372,850	S	*	8/1996	Dubuque et al.	D8/61
D439,978	S	*	4/2001	Ark et al.	D24/140
6,460,629	B2	*	10/2002	Bookshar et al.	173/176
6,715,380	B2	*	4/2004	Listl et al.	81/57.13
D510,513	S	*	10/2005	Aglassinger	D8/61
D527,592	S	*	9/2006	Hayakawa et al.	D8/61

D588,891	S	*	3/2009	Hayakawa et al.	D8/61
D639,629	S	*	6/2011	Torigai et al.	D8/61
D649,421	S	*	11/2011	Aglassinger	D8/61
D653,922	S	*	2/2012	Henssler et al.	D8/61
D659,499	S	*	5/2012	Okuda et al.	D8/61
2004/0182588	A1	*	9/2004	Tokunaga et al.	173/2

* cited by examiner

Primary Examiner — Austin Murphy

(74) *Attorney, Agent, or Firm* — Maginot, Moore & Beck

(57) **CLAIM**

The ornamental design for a cordless driver, as shown and described.

DESCRIPTION

FIG. 1 is a perspective view of a cordless driver showing my new design;

FIG. 2 is a right side elevational view showing the design for the cordless driver of FIG. 1;

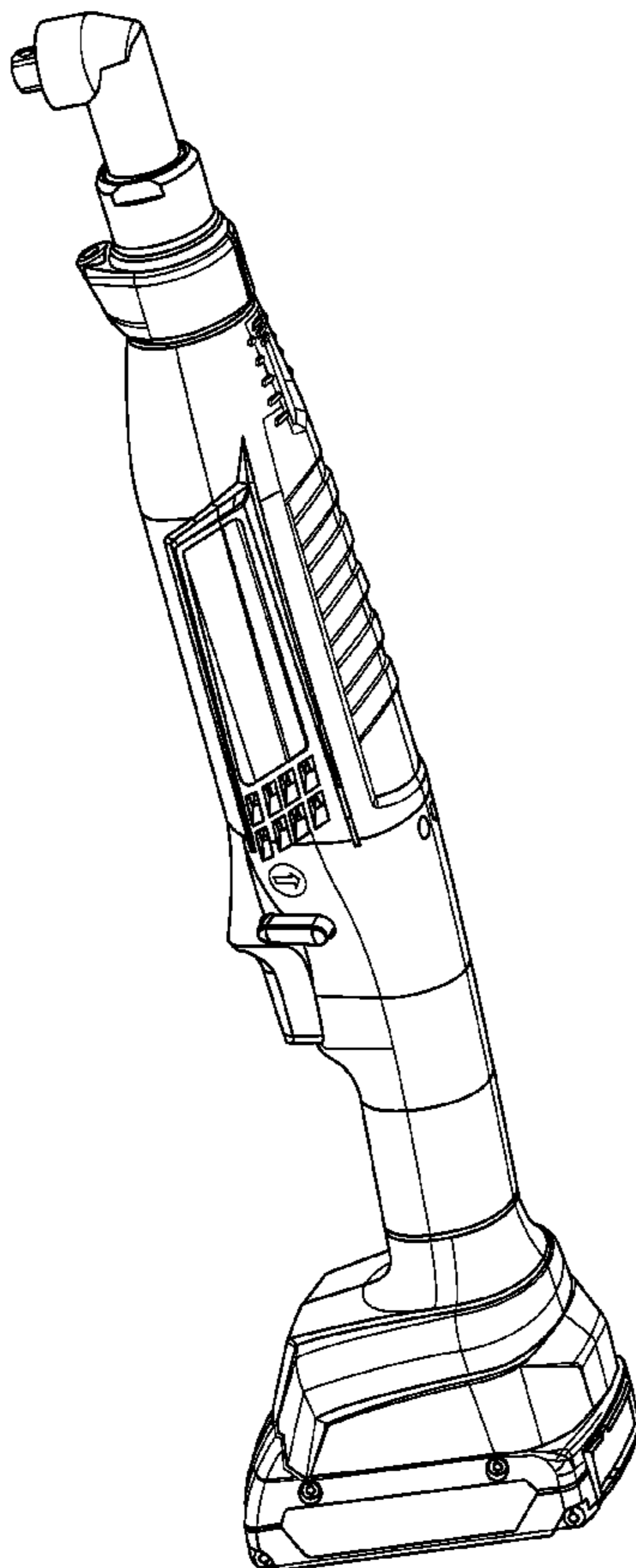
FIG. 3 is left side elevational view showing the design for the cordless driver of FIG. 1;

FIG. 4 is a rear elevational view showing the design for the cordless driver of FIG. 1;

FIG. 5 is a front elevational view showing the design for the cordless driver of FIG. 1; and,

FIG. 6 is a top elevational view showing the design for the cordless driver of FIG. 1.

1 Claim, 6 Drawing Sheets



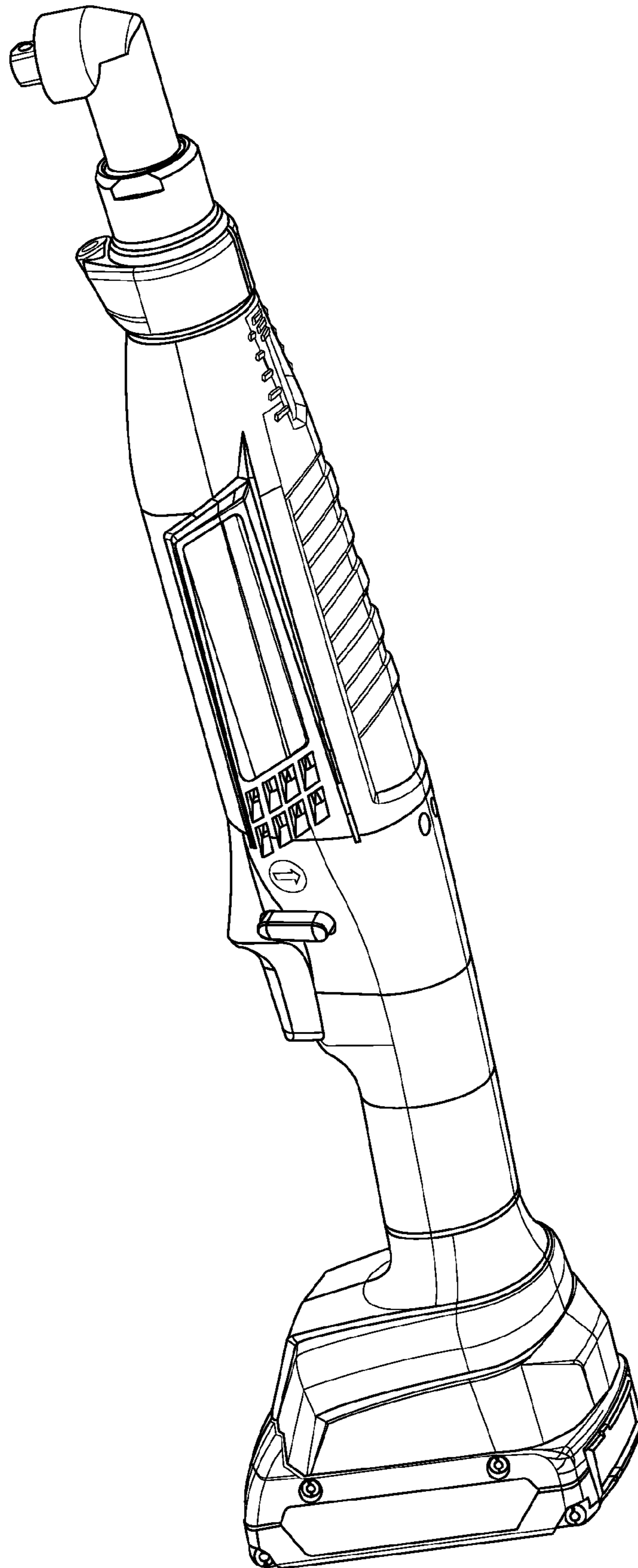


FIG. 1

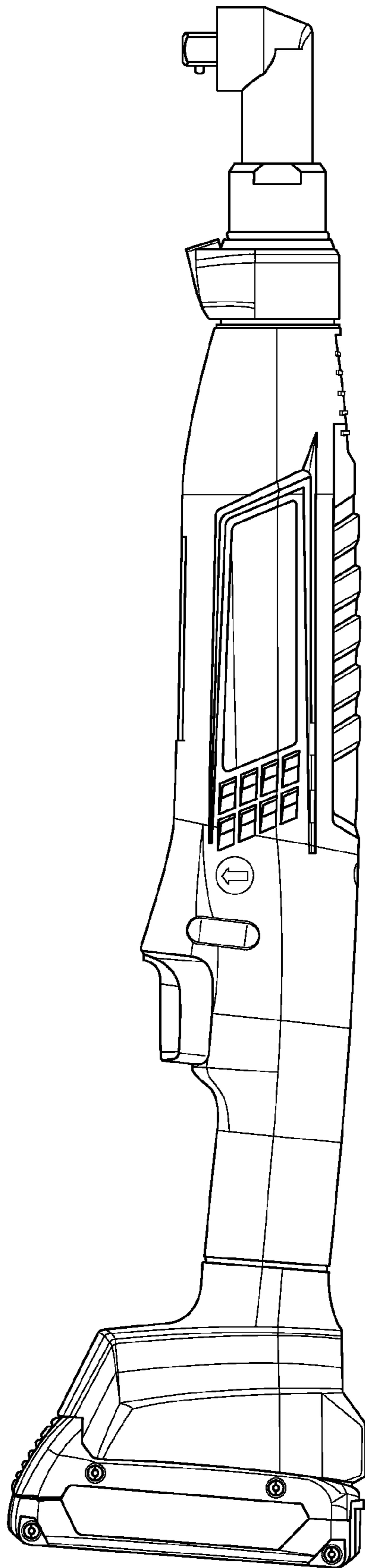


FIG. 2

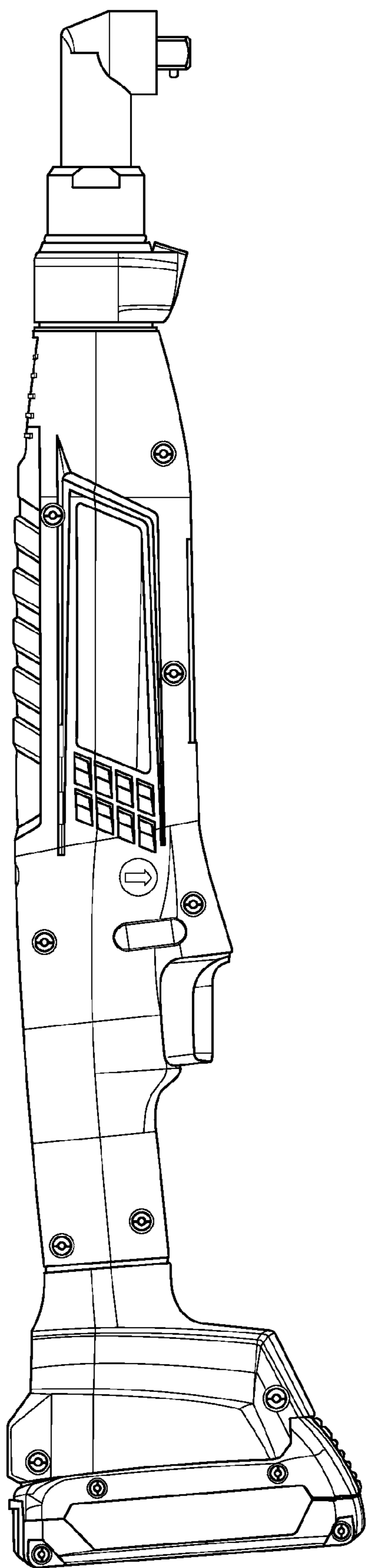


FIG. 3

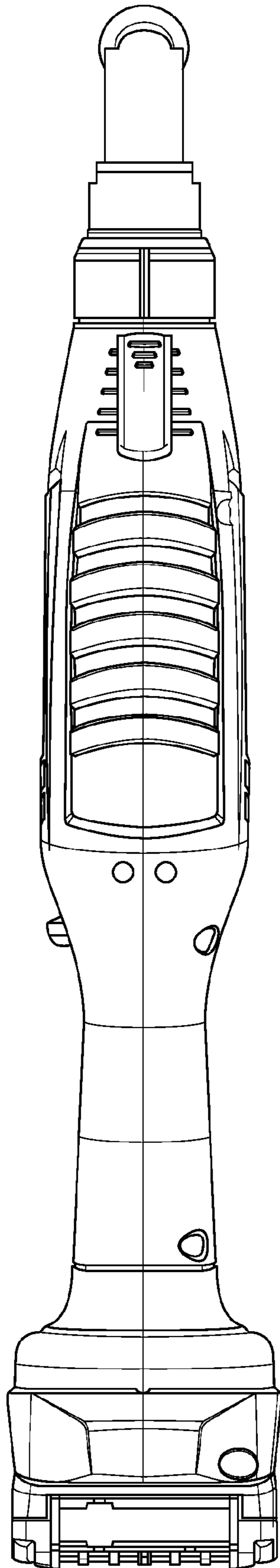


FIG. 4

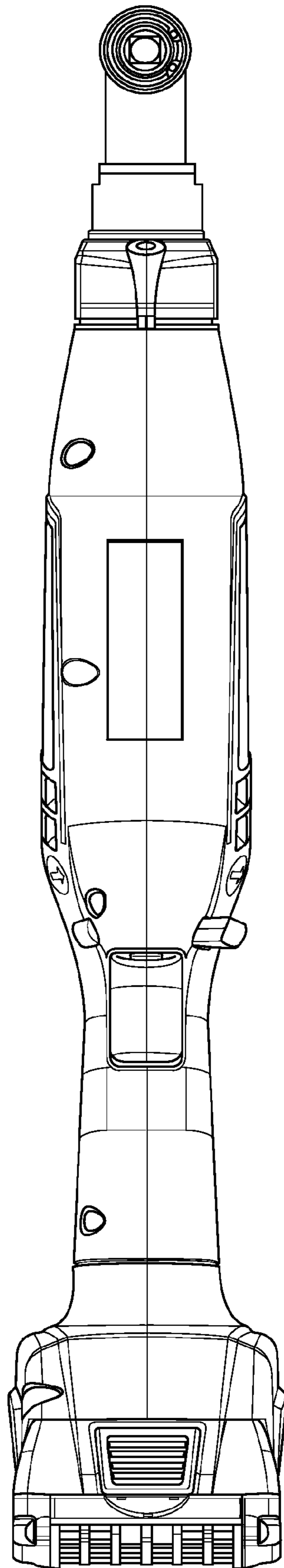


FIG. 5

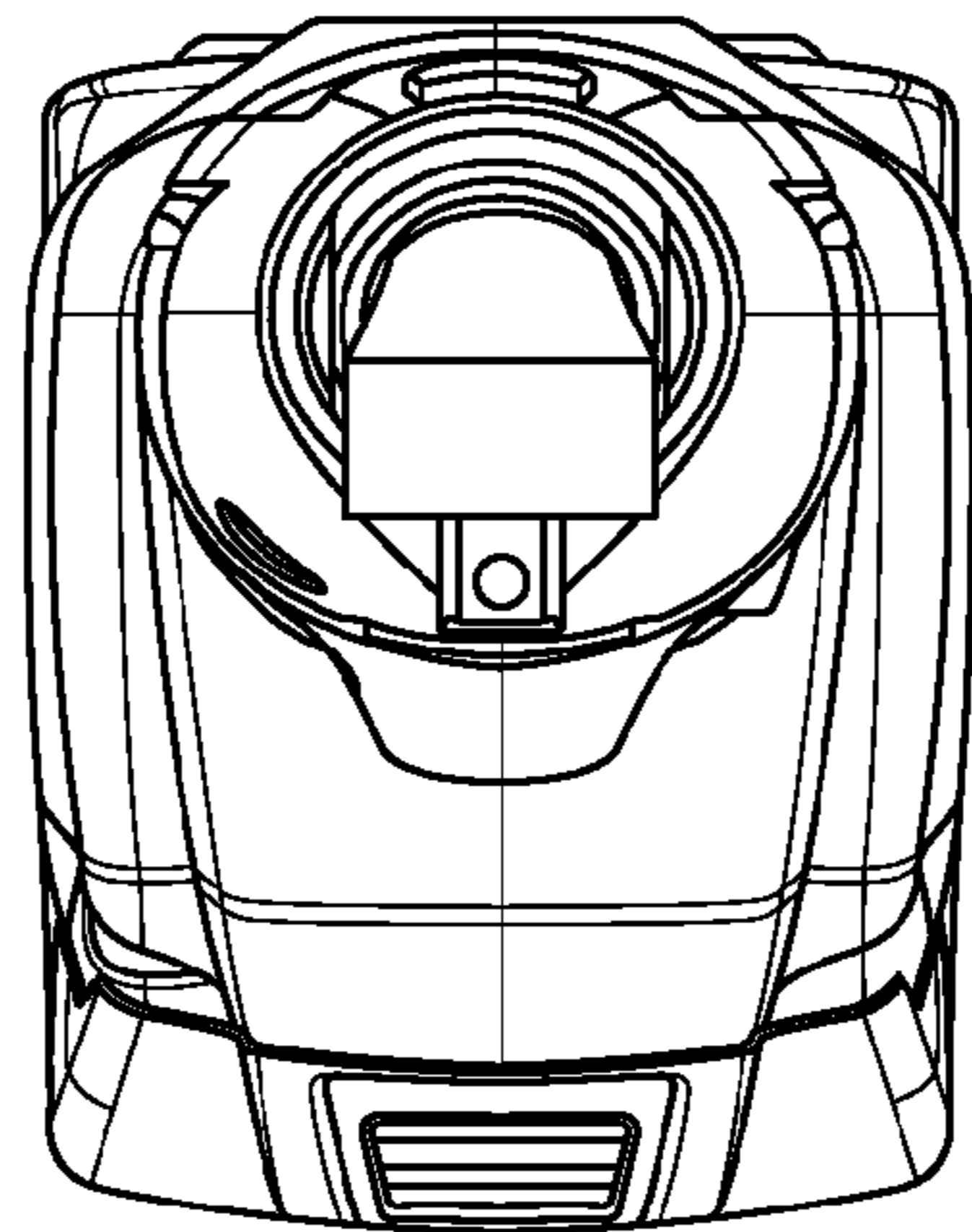


FIG. 6

UNITED STATES PATENT AND TRADEMARK OFFICE
CERTIFICATE OF CORRECTION

PATENT NO. : D670,987 S
APPLICATION NO. : 29/408478
DATED : November 20, 2012
INVENTOR(S) : Aglassinger

Page 1 of 1

It is certified that error appears in the above-identified patent and that said Letters Patent is hereby corrected as shown below:

Title page, item (30) Foreign Application Priority Data should read:

--June 14, 2011 (EM) 001877424--.

Signed and Sealed this
Fourteenth Day of May, 2013



Teresa Stanek Rea
Acting Director of the United States Patent and Trademark Office