



US00D670983S

(12) **United States Design Patent**
Buether

(10) **Patent No.:** **US D670,983 S**

(45) **Date of Patent:** **** Nov. 20, 2012**

(54) **TWO-PIECE ADJUSTABLE FORCIBLE ENTRY TOOL**

(76) Inventor: **David M. Buether**, San Marcos, CA (US)

(**) Term: **14 Years**

(21) Appl. No.: **29/387,046**

(22) Filed: **Mar. 8, 2011**

(51) **LOC (9) Cl.** **08-05**

(52) **U.S. Cl.** **D8/14**

(58) **Field of Classification Search** D8/14, D8/75, 105; D22/117; 29/254; 172/90
See application file for complete search history.

(56) **References Cited**

U.S. PATENT DOCUMENTS

D257,552	S	*	11/1980	Sobol	D8/14
4,681,171	A	*	7/1987	Kee et al.	173/90
D305,718	S	*	1/1990	Ashcraft	D8/14
5,067,237	A	*	11/1991	Holder	30/1
5,177,850	A	*	1/1993	Hull et al.	29/254
5,329,685	A	*	7/1994	Gillespie	29/254
5,398,773	A	*	3/1995	Baker	173/90
D374,725	S	*	10/1996	Conigliaro	D25/126
D544,554	S	*	6/2007	Brun	D21/680
D570,655	S	*	6/2008	Meagher et al.	D8/14
D580,732	S	*	11/2008	Meagher et al.	D8/107
D587,548	S	*	3/2009	O'Toole	D8/75
D589,769	S	*	4/2009	Timm et al.	D8/14
D601,395	S	*	10/2009	Burton	D8/40
7,900,538	B2	*	3/2011	Phillips et al.	81/20
D637,462	S	*	5/2011	Glynn et al.	D8/14
D644,083	S	*	8/2011	Dapkins et al.	D8/88
2009/0000097	A1	*	1/2009	Dapkins et al.	29/275
2009/0008617	A1	*	1/2009	Woolley et al.	254/26 R
2010/0077585	A1	*	4/2010	Prine et al.	29/252
2010/0089205	A1	*	4/2010	Phillips et al.	81/20

2010/0170688 A1* 7/2010 Delia 173/90
2011/0062400 A1* 3/2011 Lindskog 254/104
2011/0203090 A1* 8/2011 Burt 29/254

* cited by examiner

Primary Examiner — Philip S Hyder

Assistant Examiner — Roselynn Cody

(74) *Attorney, Agent, or Firm* — Richard D. Clarke

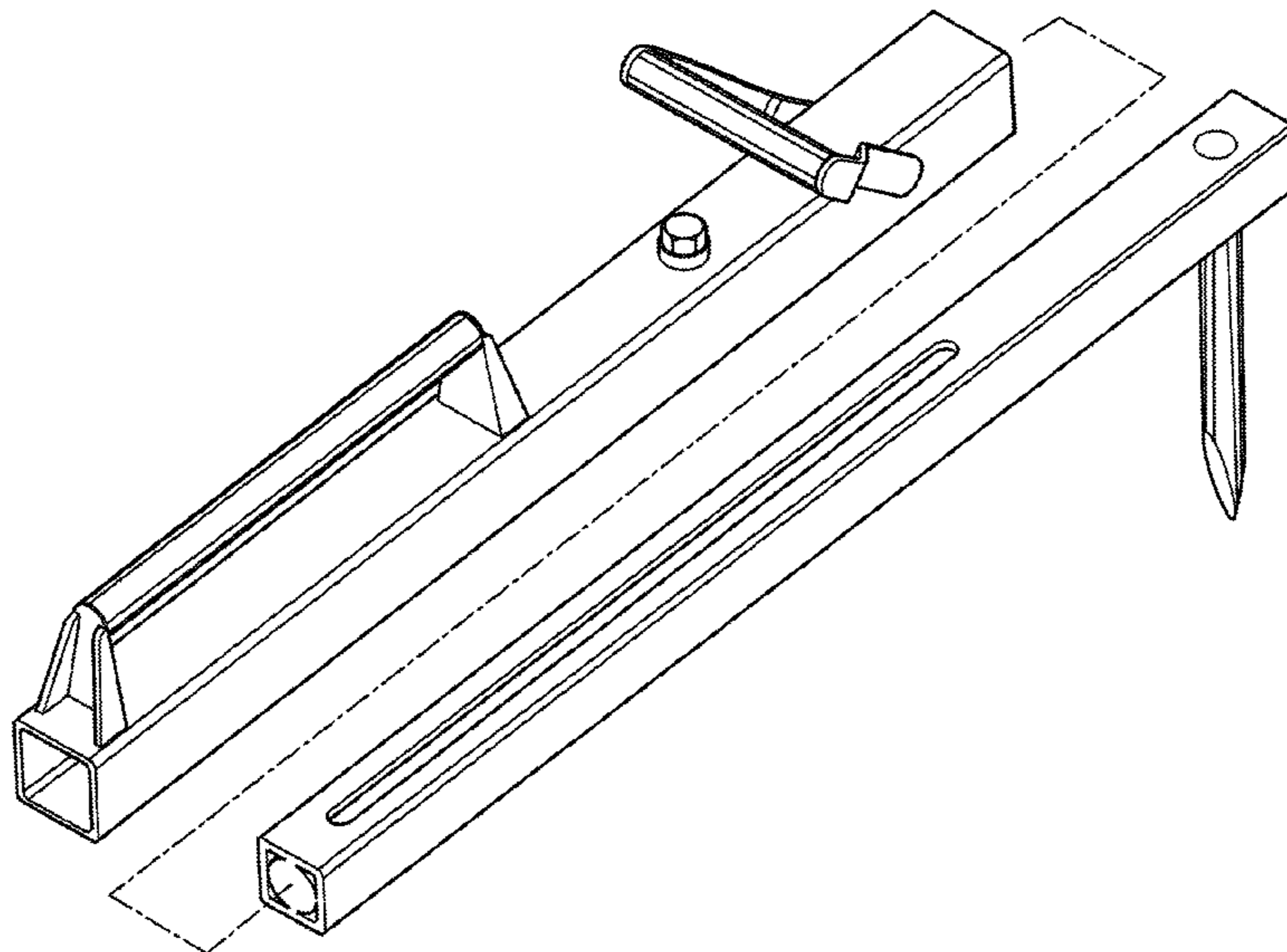
(57) **CLAIM**

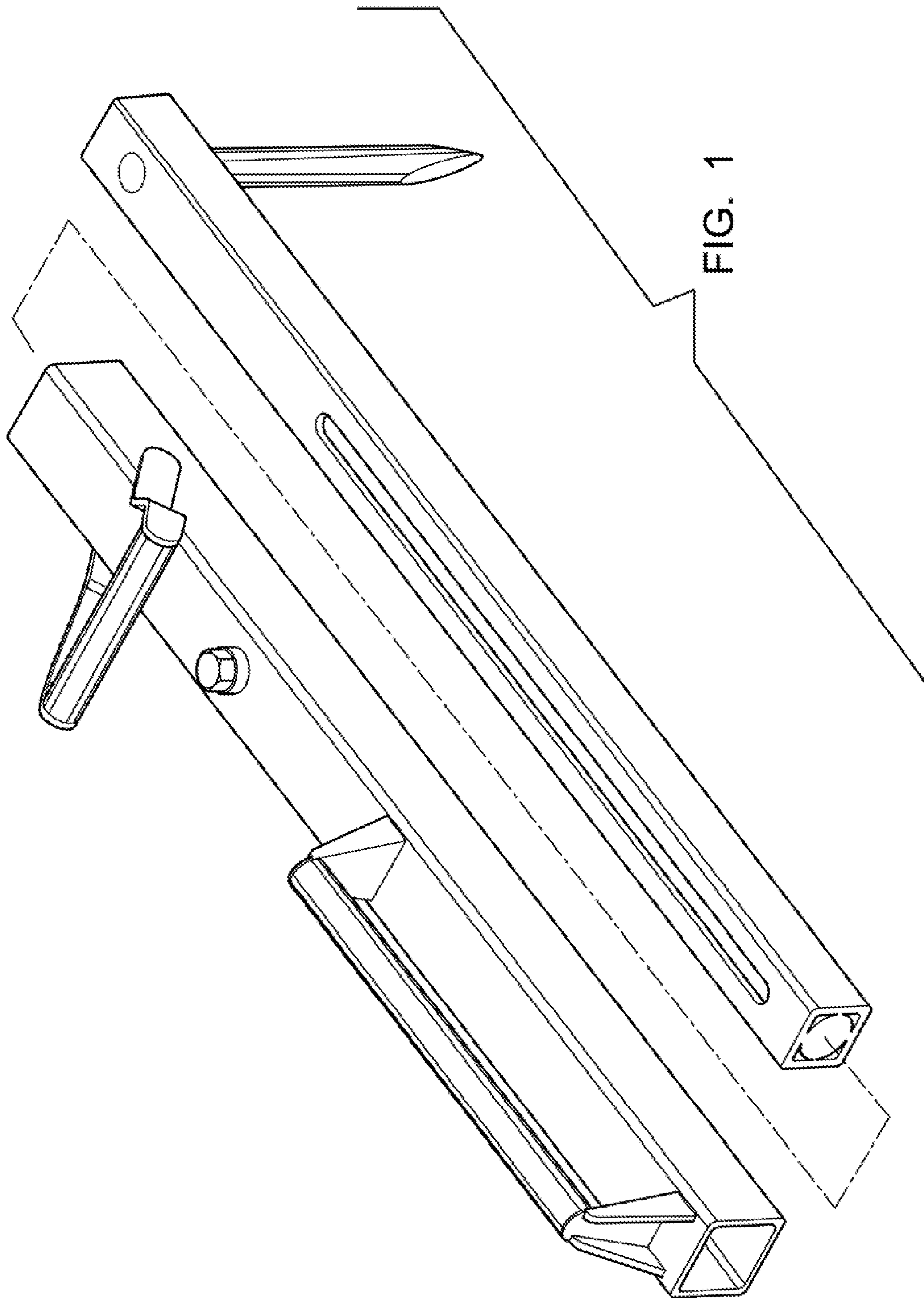
I claim the ornamental design for a two-piece adjustable forcible entry tool, as shown and described.

DESCRIPTION

FIG. 1 is a rear, side and top perspective view of the two-piece adjustable forcible entry tool disassembled into two parts; FIG. 2 is a rear, side and top perspective view of the assembled two-piece adjustable forcible entry tool; FIG. 3 is a top plan view of the assembled two-piece adjustable forcible entry tool; FIG. 4 is a side elevation view of the assembled two-piece adjustable forcible entry tool; FIG. 5 is a bottom view of the assembled two-piece adjustable forcible entry tool; FIG. 6 is a rear view of the assembled two-piece adjustable forcible entry tool; FIG. 7 is a front view of the assembled two-piece adjustable forcible entry tool; FIG. 8 is a top plan view of the outer piece of the disassembled two-piece adjustable forcible entry tool; FIG. 9 is a side elevation view thereof; FIG. 10 is a bottom plan view thereof; FIG. 11 is a top plan view of the inner piece of the disassembled two-piece adjustable forcible entry tool; FIG. 12 is a side elevation view thereof; and, FIG. 13 is a bottom view thereof.

1 Claim, 5 Drawing Sheets





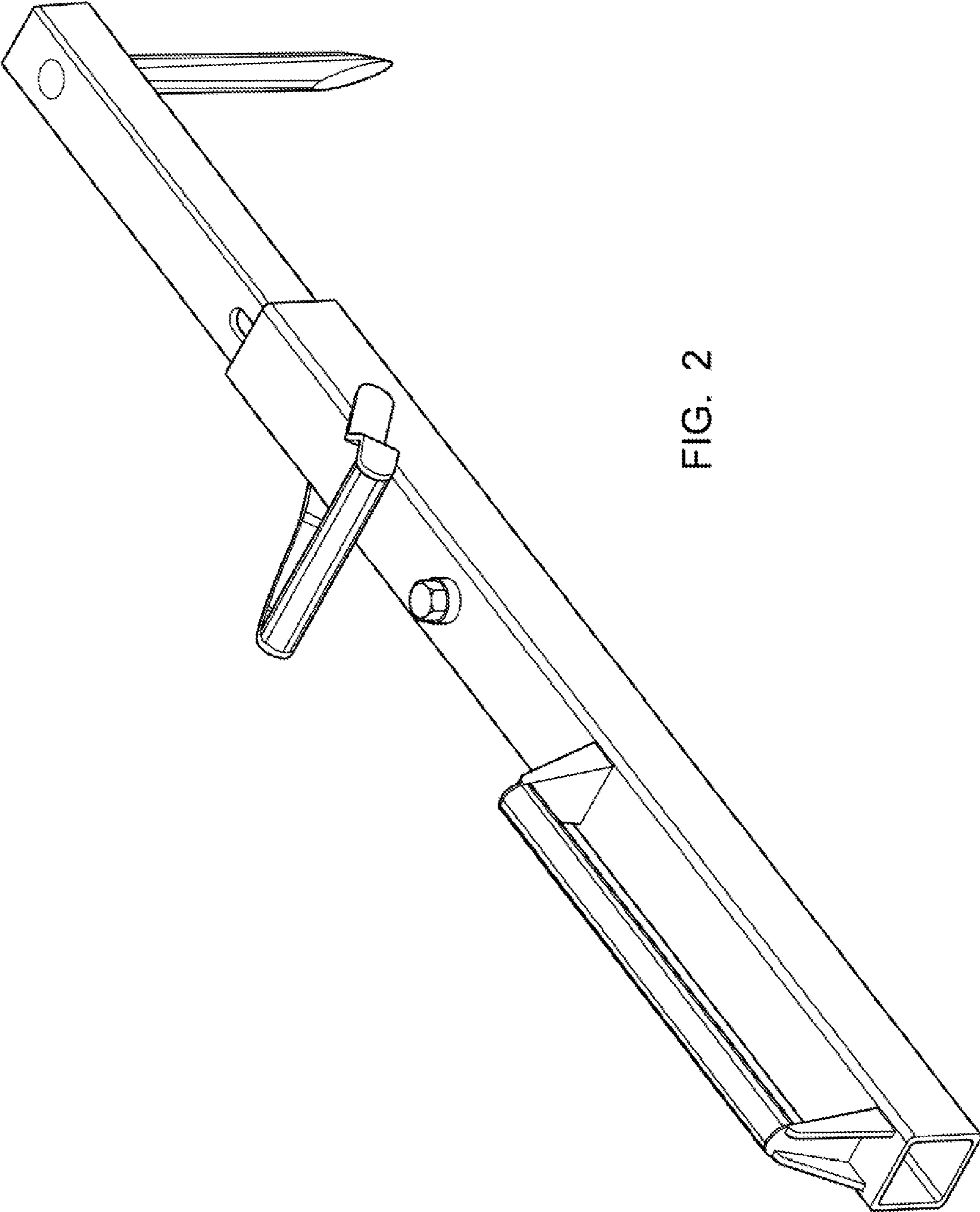


FIG. 2

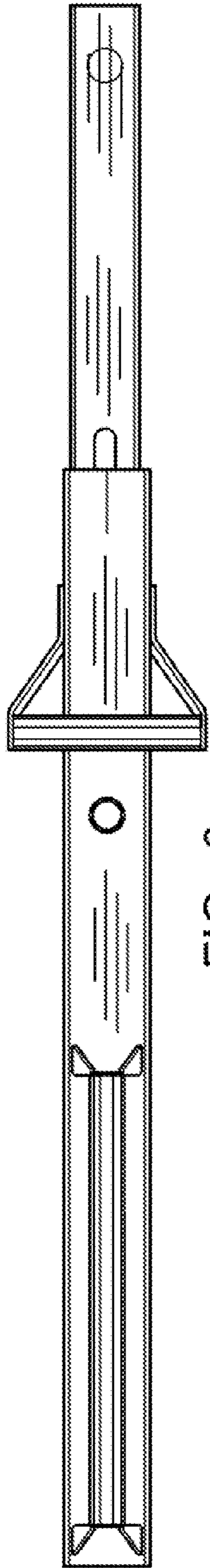


FIG. 3

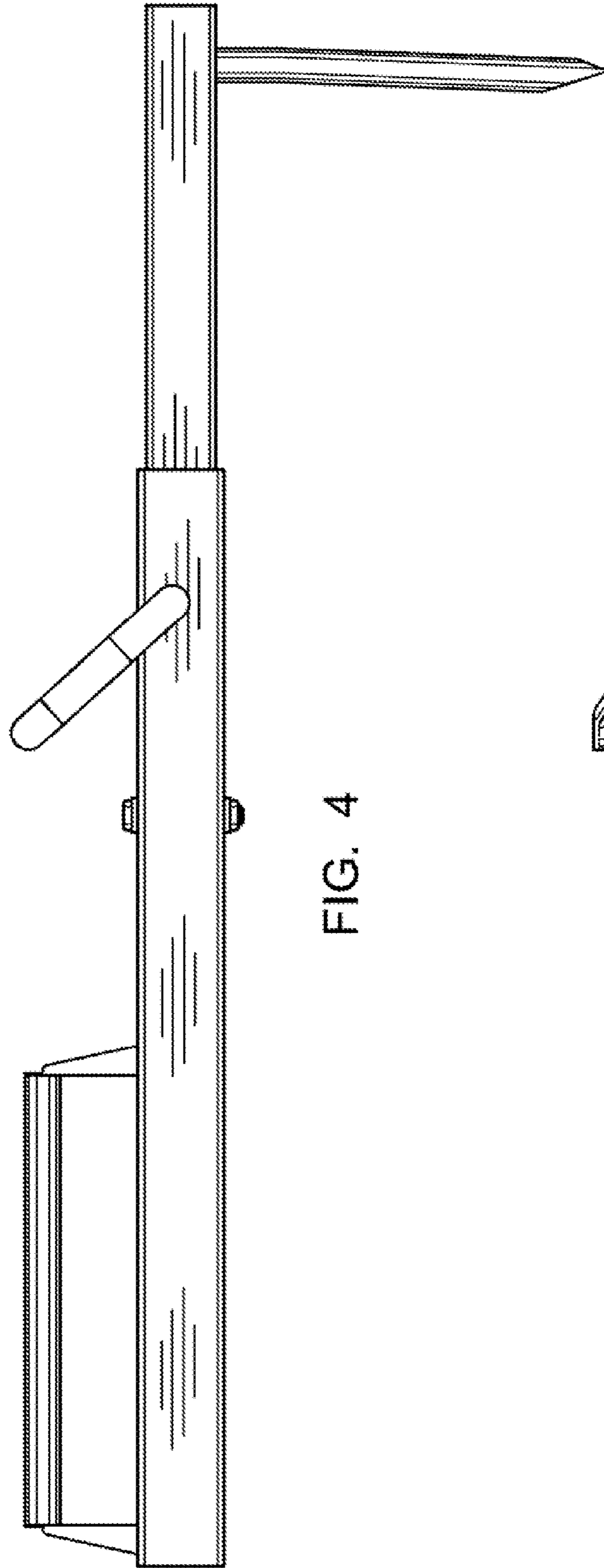


FIG. 4

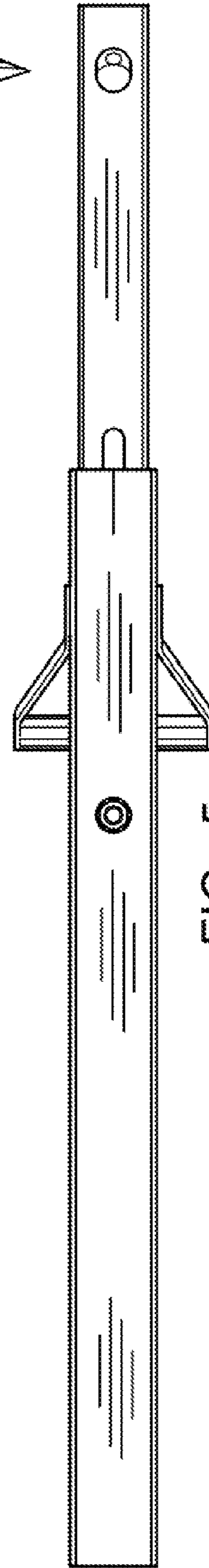


FIG. 5

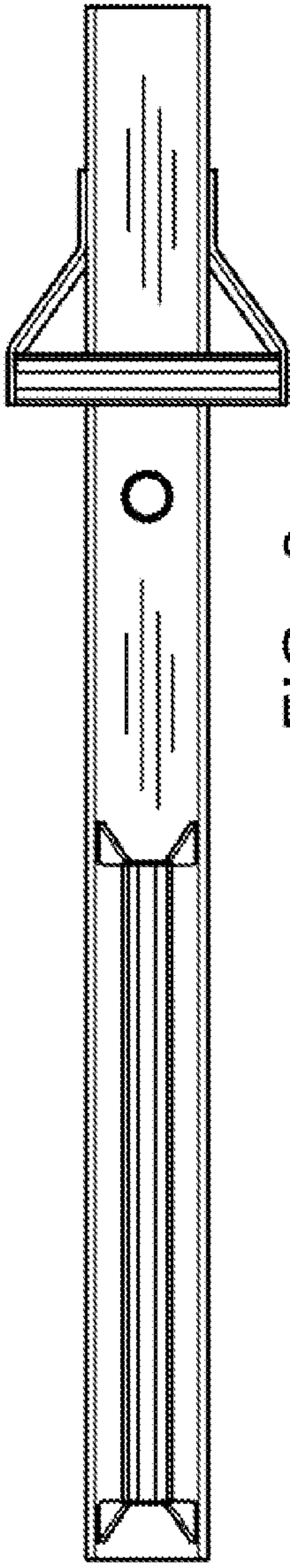


FIG. 8

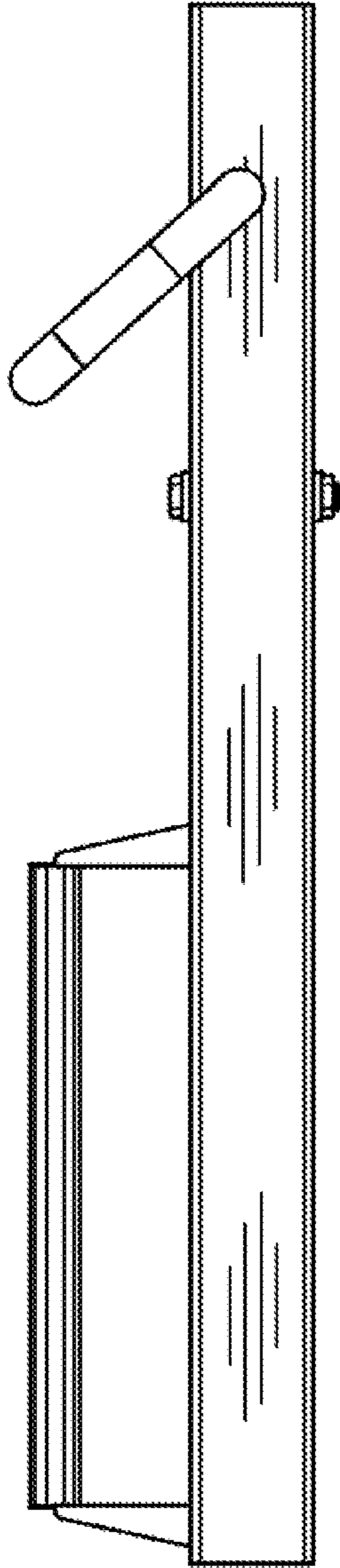


FIG. 9

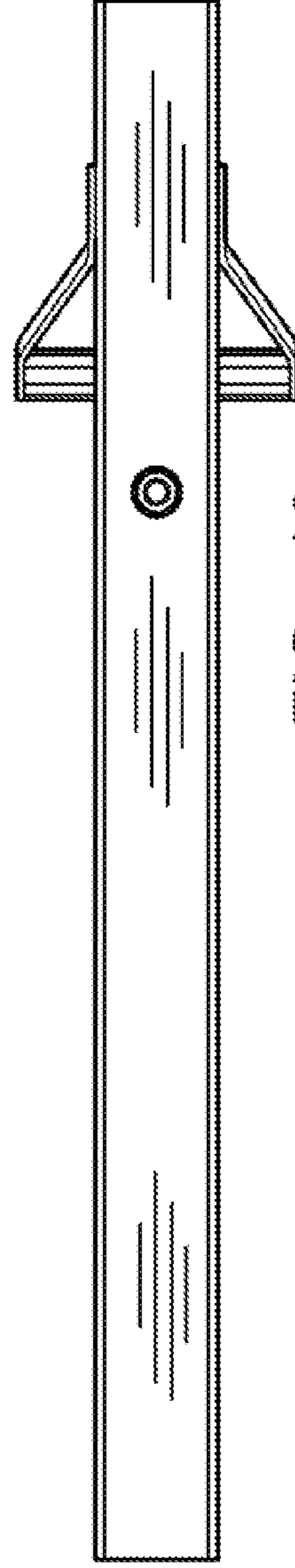


FIG. 10

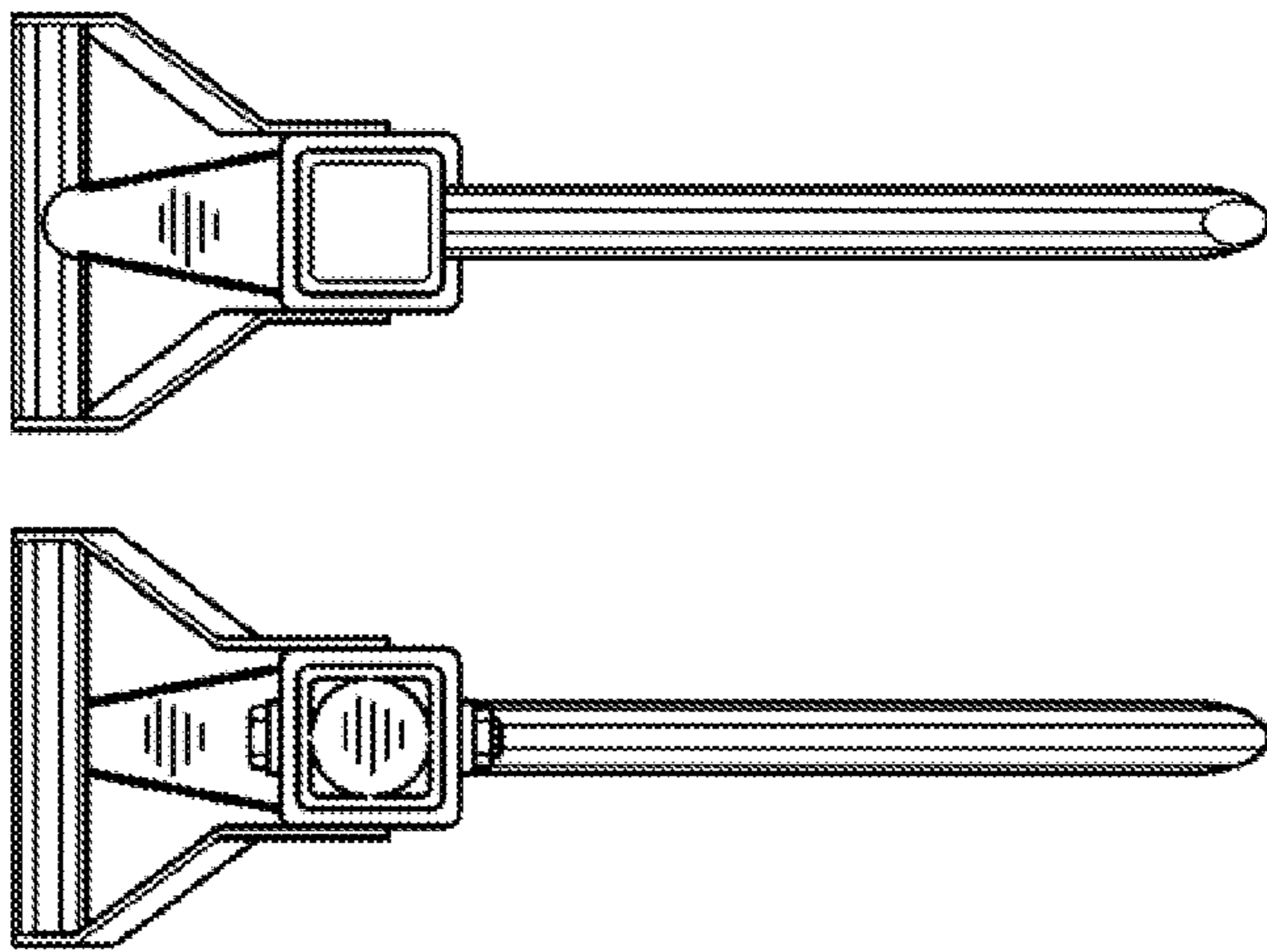


FIG. 6 FIG. 7

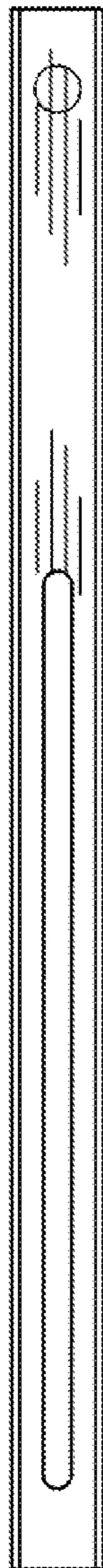


FIG. 11

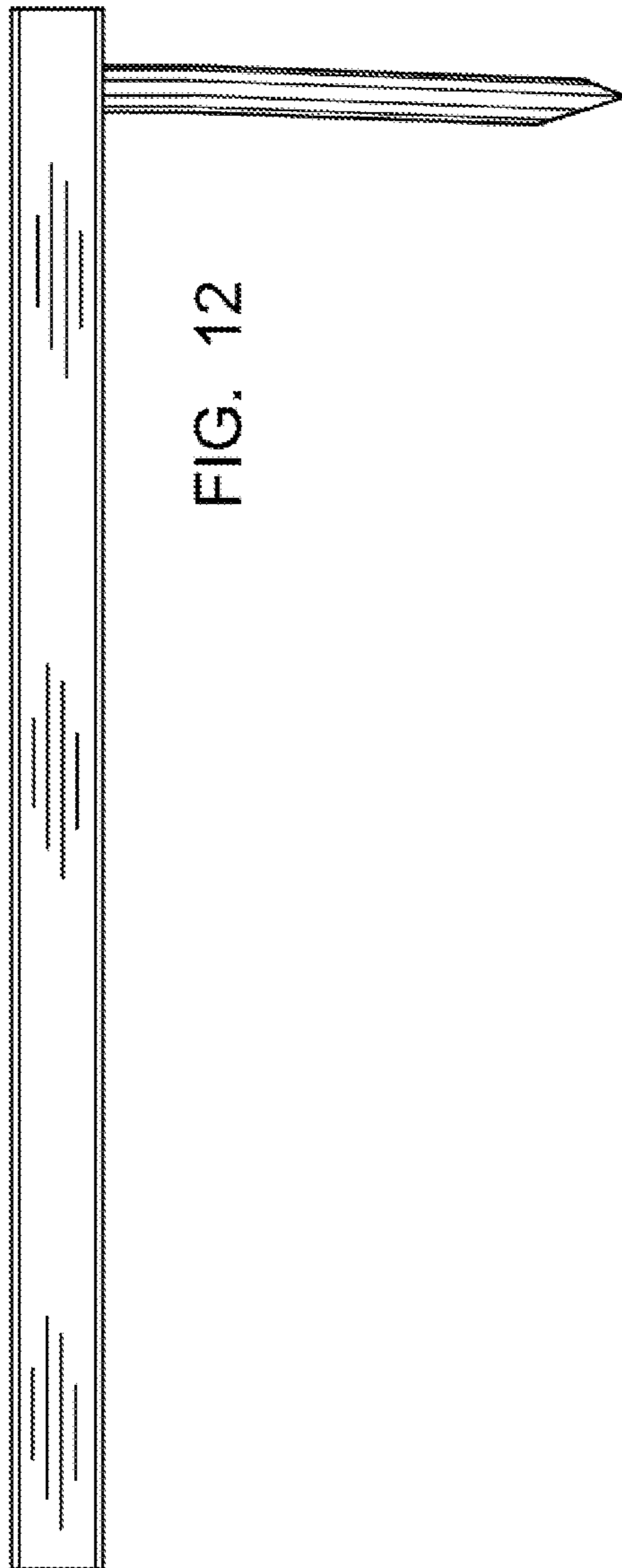


FIG. 12



FIG. 13