



US00D670981S

(12) **United States Design Patent**
Saunders et al.

(10) **Patent No.:** **US D670,981 S**
(45) **Date of Patent:** **** Nov. 20, 2012**

(54) **CARVING STATION**

(76) Inventors: **Joseph Jeremy Saunders**, Sturgeon Bay, WI (US); **John Quella**, Sturgeon Bay, WI (US)

(**) Term: **14 Years**

(21) Appl. No.: **29/413,788**

(22) Filed: **Feb. 21, 2012**
(Under 37 CFR 1.47)

5,386,978 A	2/1995	Ladwig	
D360,785 S	8/1995	Mooslin	
5,477,702 A	12/1995	Kennedy et al.	
D377,429 S	1/1997	Olson	
D381,104 S	7/1997	Linstone	
D386,916 S	* 12/1997	Conner	D6/426
D394,963 S	* 6/1998	Gongora et al.	D6/396
D409,419 S	* 5/1999	Wilkinson	D6/486
D415,365 S	* 10/1999	Nicklas	D6/400
5,996,983 A	12/1999	Laurenzi	
6,206,445 B1	3/2001	Brooks	
D440,786 S	* 4/2001	Visser et al.	D6/400
D484,282 S	12/2003	Lockwood	
D498,321 S	* 11/2004	Terry	D26/60

(Continued)

Related U.S. Application Data

(62) Division of application No. 29/403,602, filed on Oct. 7, 2011, now Pat. No. Des. 659,490, which is a division of application No. 29/315,687, filed on Jul. 15, 2009, now Pat. No. Des. 655,140.

(51) **LOC (9) Cl.** **07-04**

(52) **U.S. Cl.** **D7/698**

(58) **Field of Classification Search** D6/396,
D6/400, 426, 486; D7/332, 354, 359-360,
D7/368, 392.1, 396.1, 409, 412, 505, 546,
D7/550.1, 552.1, 553.1, 554.3-554.4, 555,
D7/586, 637, 673, 698-699; D26/60-65;
99/357, 449-450; 269/13, 15-16, 289 R,
269/302.1, 575

See application file for complete search history.

(56) **References Cited**

U.S. PATENT DOCUMENTS

2,900,045 A	8/1959	Conklin et al.
D205,463 S	8/1966	Zelenko
D215,162 S	9/1969	Robichaud
D217,063 S	3/1970	Daito
D291,426 S	8/1987	Husbands
4,692,850 A	9/1987	LeDoux
D312,885 S	12/1990	Louis
5,100,115 A	3/1992	Schorn
D348,367 S	7/1994	Geisen et al.
5,353,746 A	10/1994	Del Rosario

OTHER PUBLICATIONS

Free Stander Warmers, Multiple models, 1 page, date unknown.

(Continued)

Primary Examiner — Ricky Pham

(74) *Attorney, Agent, or Firm* — Ryan Kromholz & Manion, S.C.

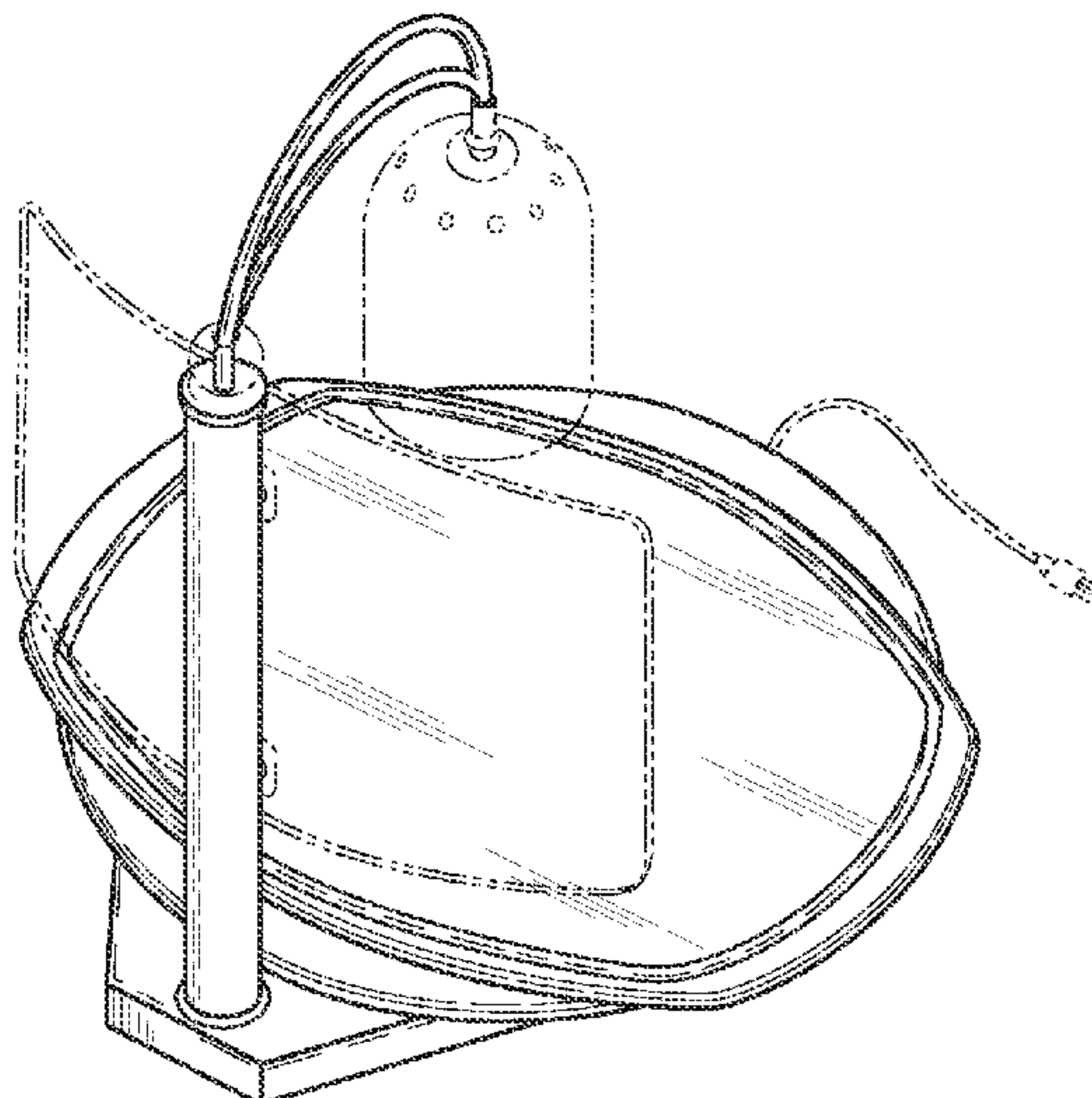
(57) **CLAIM**

The ornamental design for a carving station, as shown and described.

DESCRIPTION

FIG. 1 is a perspective view of a carving station showing our new design;
FIG. 2 is a rear elevation view thereof;
FIG. 3 is a front elevation view thereof;
FIG. 4 is a top plan view thereof;
FIG. 5 is a bottom plan view thereof;
FIG. 6 is a right side elevation view thereof; and,
FIG. 7 is a left side elevation view thereof.
The broken lines shown in the drawings are for illustrative purposes only and form no part of the claimed design.

1 Claim, 3 Drawing Sheets



US D670,981 S

Page 2

U.S. PATENT DOCUMENTS

D515,722 S * 2/2006 Opolka D26/62
D541,079 S 4/2007 Brown
D555,986 S 11/2007 Goldman
D570,640 S * 6/2008 Brunner D7/332
D603,992 S * 11/2009 Sabernig D26/63
D603,994 S * 11/2009 Sabernig D26/65
D606,694 S * 12/2009 Sabernig D26/65
D628,338 S * 11/2010 Sabernig D26/93
D655,140 S * 3/2012 Saunders et al. D7/698
2011/0133383 A1 6/2011 Roser
2011/0168035 A1 7/2011 Saunders et al.

OTHER PUBLICATIONS

Witco Food Service Equipment, Models CSD Series Carving Stations, 2 pages, date unknown.
Royalton Food Service Equipment Company, Model RCS Series Heated Carving Station, 2 pages, date unknown.
Alto Shaam manual, Hot Carving Shelf Electric, Models: 100-HSL//BCS-2, 100-HSL/BCS-2S, 19 pages, date unknown.
Model Carving Station, 1 page, company and date unknown.
* cited by examiner

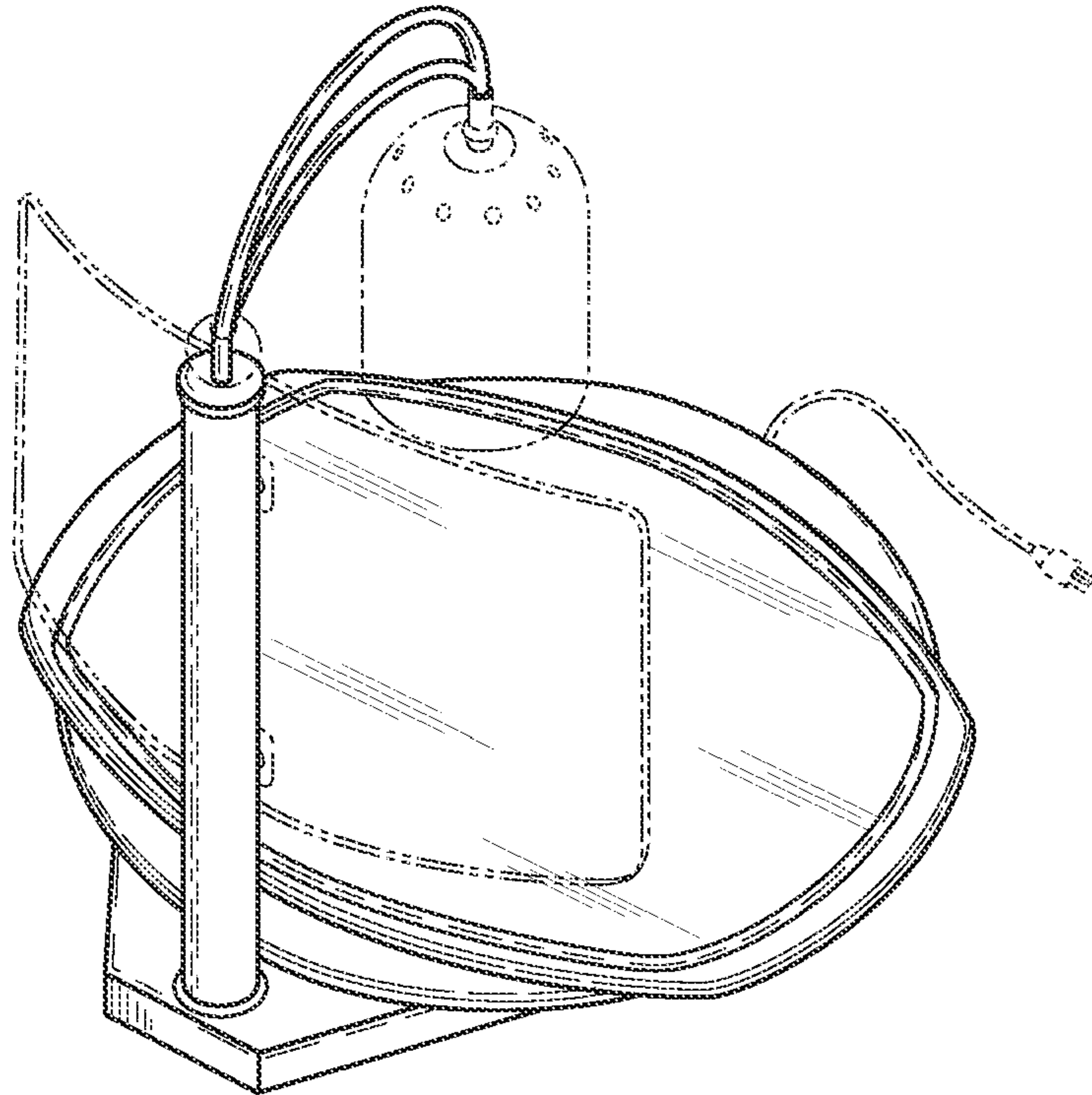


Fig. 1

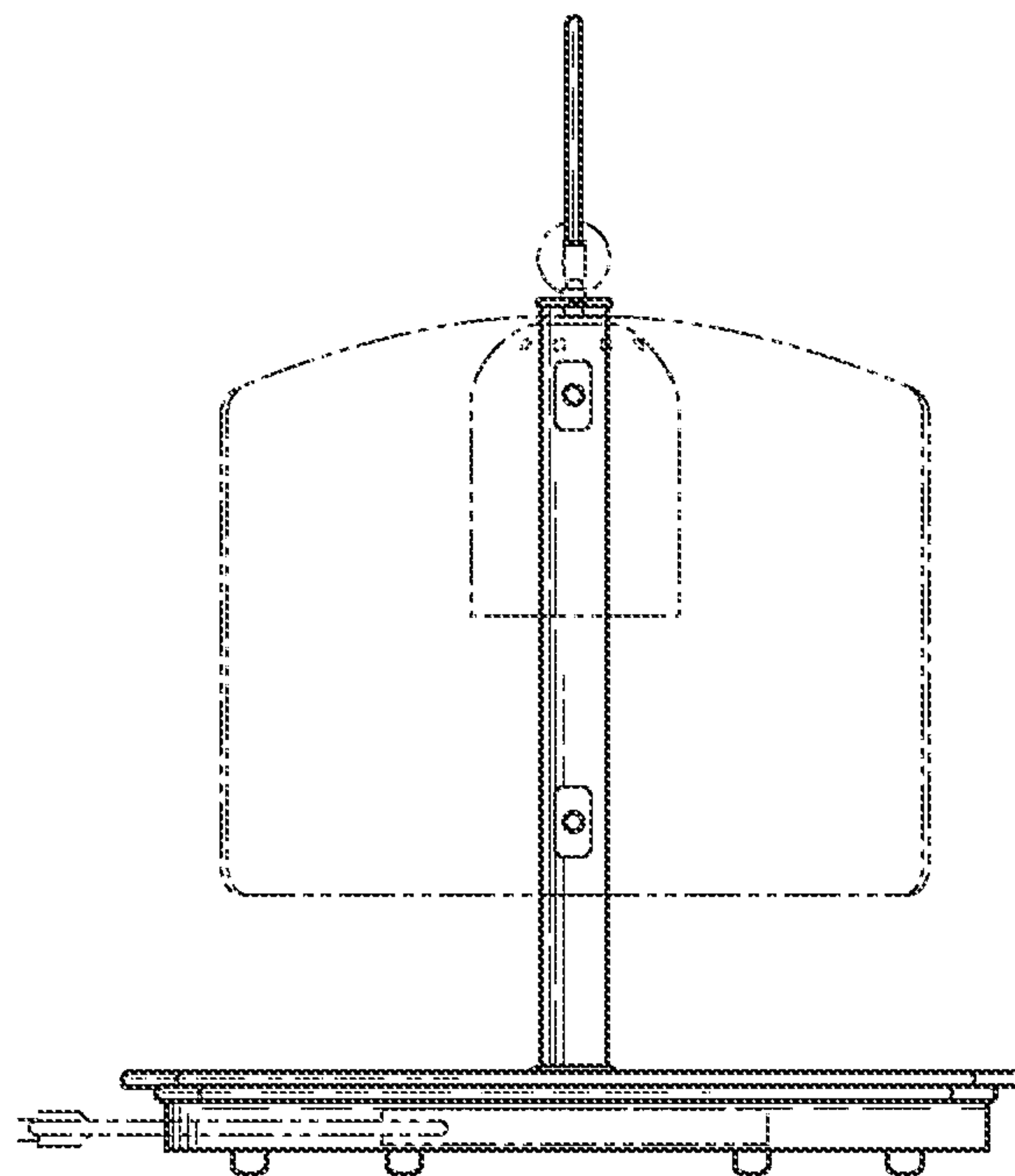


Fig. 2

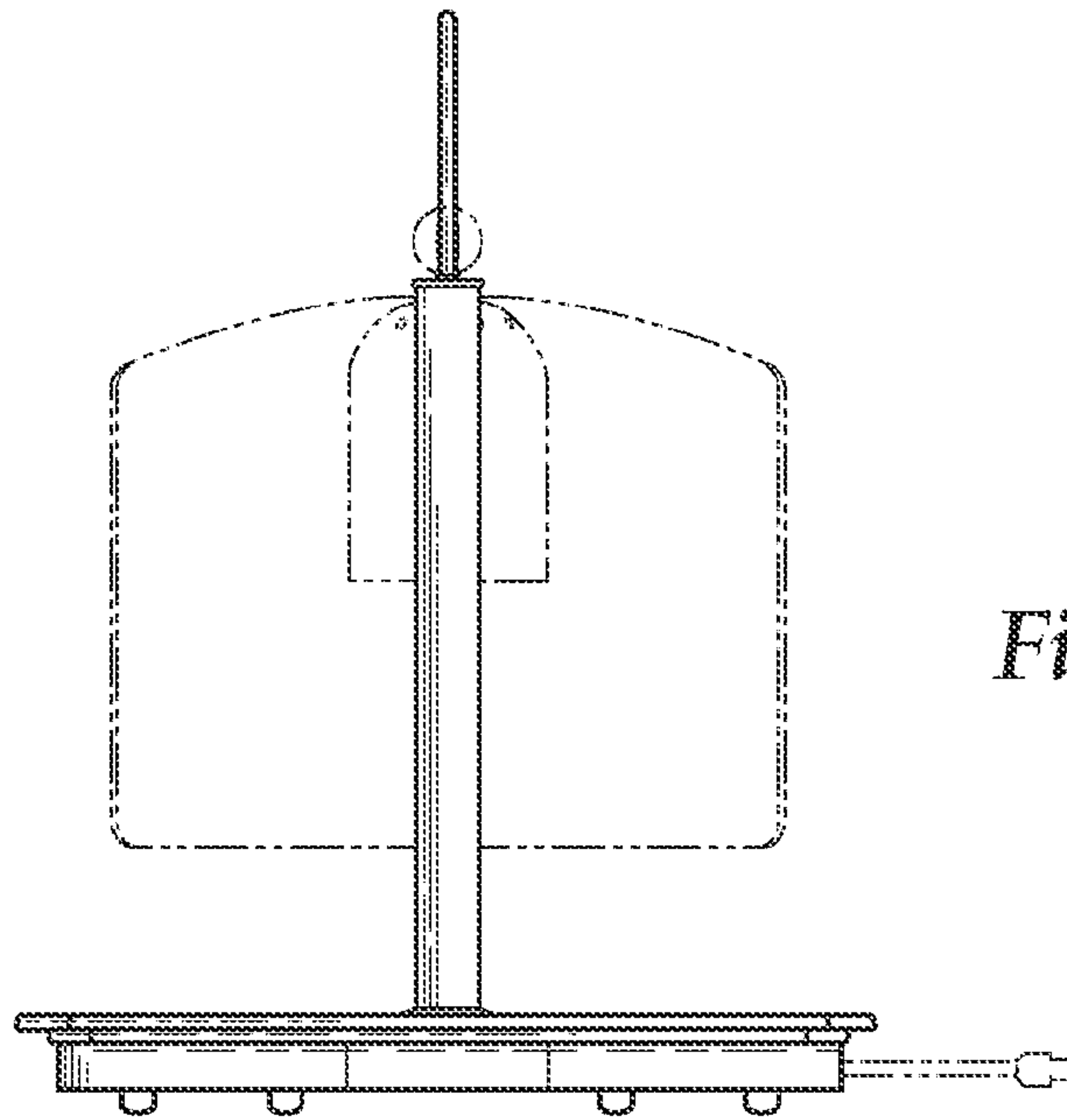


Fig. 3

Fig. 4

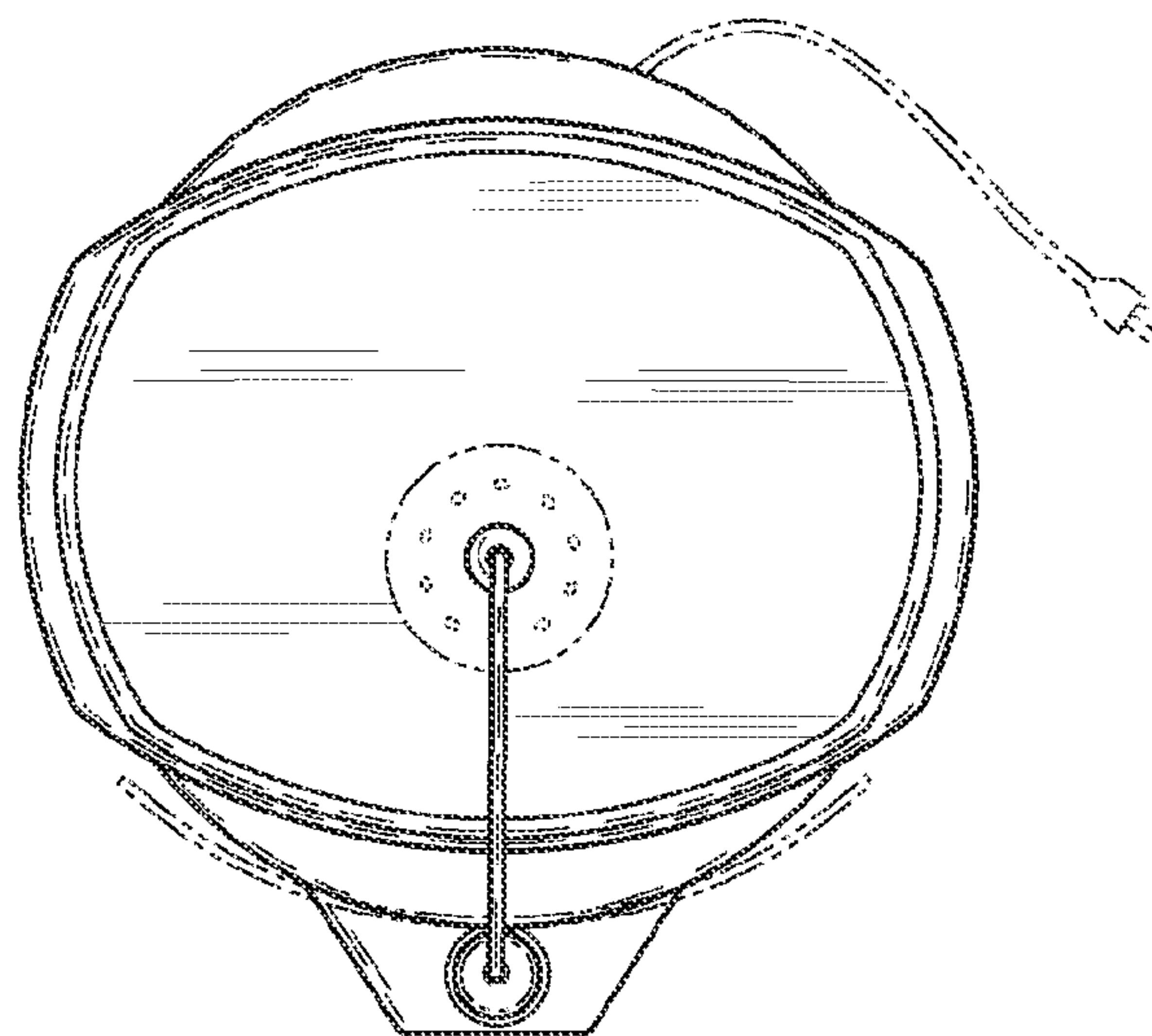


Fig. 5

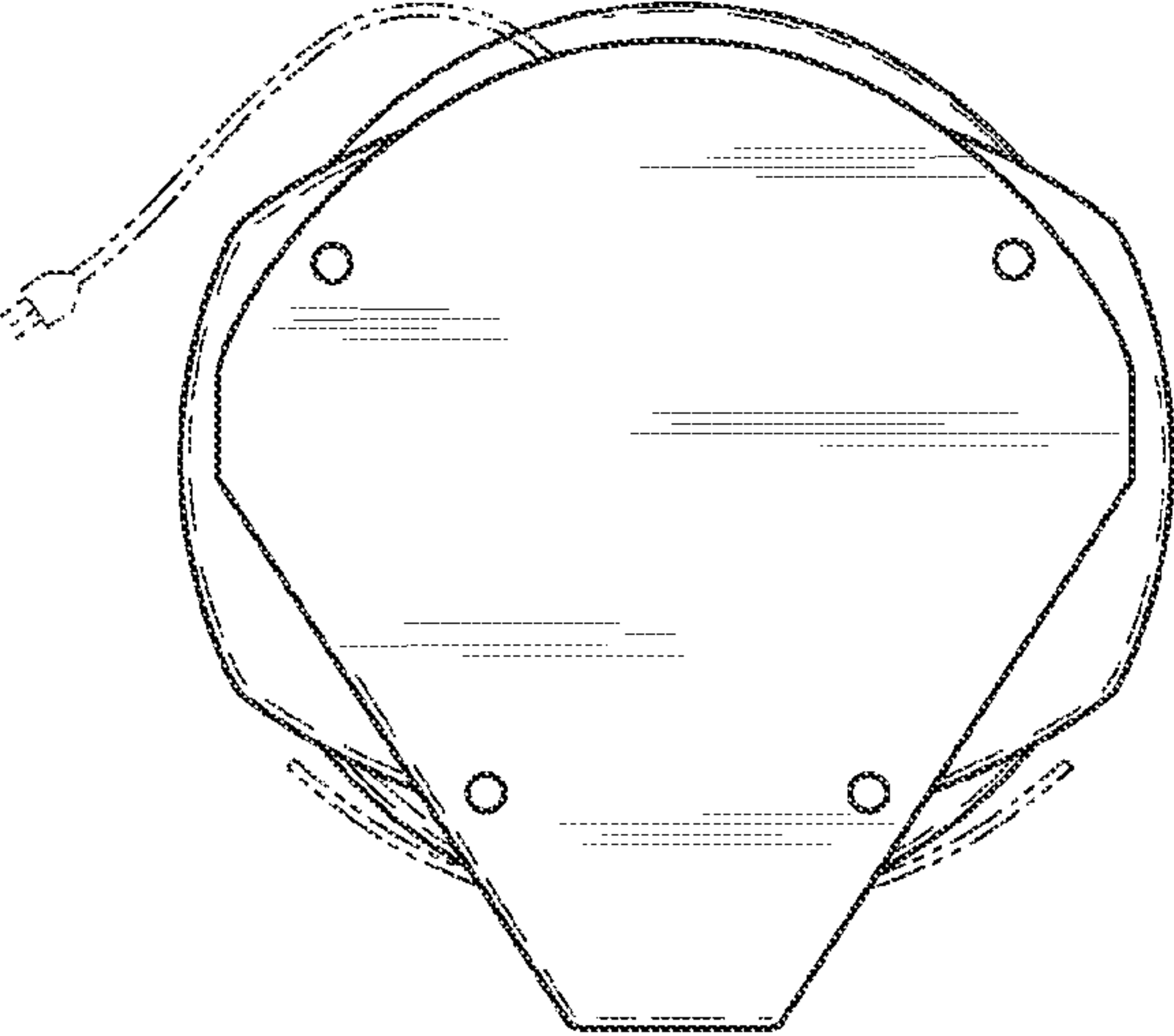


Fig. 6

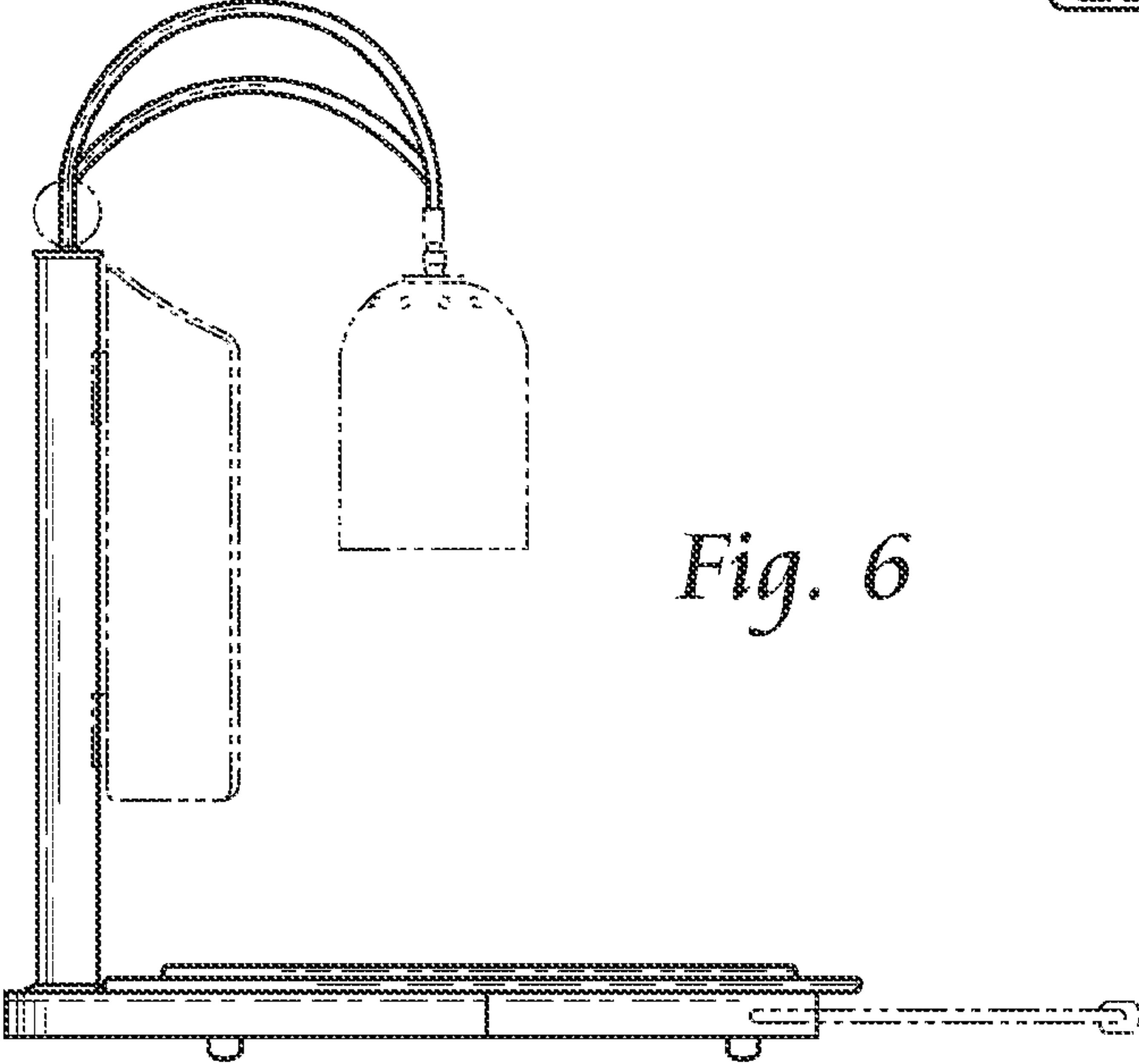


Fig. 7

