



US00D670980S

(12) **United States Design Patent**  
**De Buyer et al.**

(10) **Patent No.:** **US D670,980 S**

(45) **Date of Patent:** **\*\* Nov. 20, 2012**

(54) **MANDOLIN SLICER**

(75) Inventors: **Julien De Buyer**, Barcelona (ES);  
**Jean-Noël Mathieu**, Vagney (FR)

(73) Assignee: **De Buyer Industries**, Le Val d'Ajol  
(FR)

(\*\*) Term: **14 Years**

(21) Appl. No.: **29/412,840**

(22) Filed: **Feb. 8, 2012**

(30) **Foreign Application Priority Data**

Aug. 22, 2011 (WO) ..... DM/076 886

(51) **LOC (9) Cl.** ..... **07-04**

(52) **U.S. Cl.** ..... **D7/673**

(58) **Field of Classification Search** ..... D7/672-677,  
D7/678, 381, 382, 384, 669, 368, 372; 241/93,  
241/94, 101.1, 37.5, 36, 273.1-273.4, 100,  
241/285.1, 283, 285.2, 168, 169; 83/651.1,  
83/648, 356.2, 431, 425.3, 435.15, 437.7,  
83/441.1, 247, 856, 857, 932, 167, 13; 99/537,  
99/588; 30/279.6, 280

See application file for complete search history.

(56) **References Cited**

**U.S. PATENT DOCUMENTS**

1,974,194 A \* 9/1934 Phillips ..... 241/101.1  
4,038,892 A \* 8/1977 Popeil ..... 83/874

D393,576 S \* 4/1998 Wong ..... D7/678  
D400,767 S \* 11/1998 de Saint-Genois ..... D7/673  
6,732,622 B2 \* 5/2004 Vincent ..... 83/247  
D495,218 S \* 8/2004 Yu ..... D7/673  
D503,314 S \* 3/2005 Wong ..... D7/673  
D505,301 S \* 5/2005 Wong ..... D7/673  
D534,041 S \* 12/2006 De Buyer ..... D7/673  
D535,162 S \* 1/2007 De Buyer ..... D7/673  
D548,548 S \* 8/2007 Lee ..... D7/673  
D573,853 S \* 7/2008 Ericsson ..... D7/672  
2007/0089577 A1 \* 4/2007 Wong ..... 83/13

\* cited by examiner

*Primary Examiner* — Terry Wallace

(74) *Attorney, Agent, or Firm* — Galgano & Associates,  
PLLC; Thomas M. Galgano; Jessica G. Bower

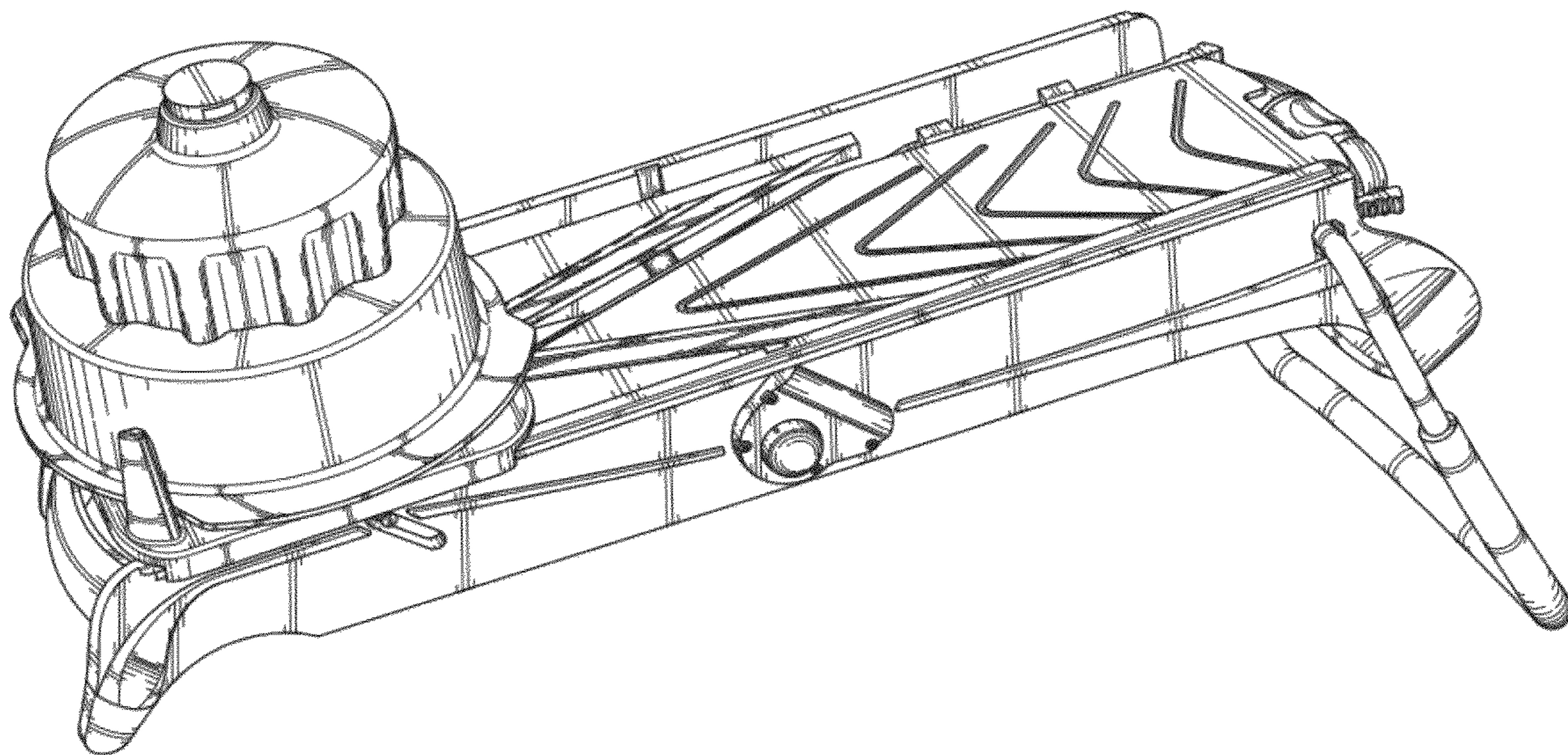
(57) **CLAIM**

The ornamental design for a mandolin slicer, as shown and described.

**DESCRIPTION**

FIG. 1 is a top and right side perspective view of the mandolin slicer, showing our new design;  
FIG. 2 is a left side elevational view thereof;  
FIG. 3 is a right side elevational view thereof;  
FIG. 4 is a front elevational view thereof;  
FIG. 5 is a rear elevational view thereof;  
FIG. 6 is a top plan view thereof;  
FIG. 7 is a bottom plan view thereof;  
FIG. 8 is a top, right side perspective view thereof, the pusher portion removed for clarity of illustration; and,  
FIG. 9 is a top plan view of FIG. 8.

**1 Claim, 9 Drawing Sheets**





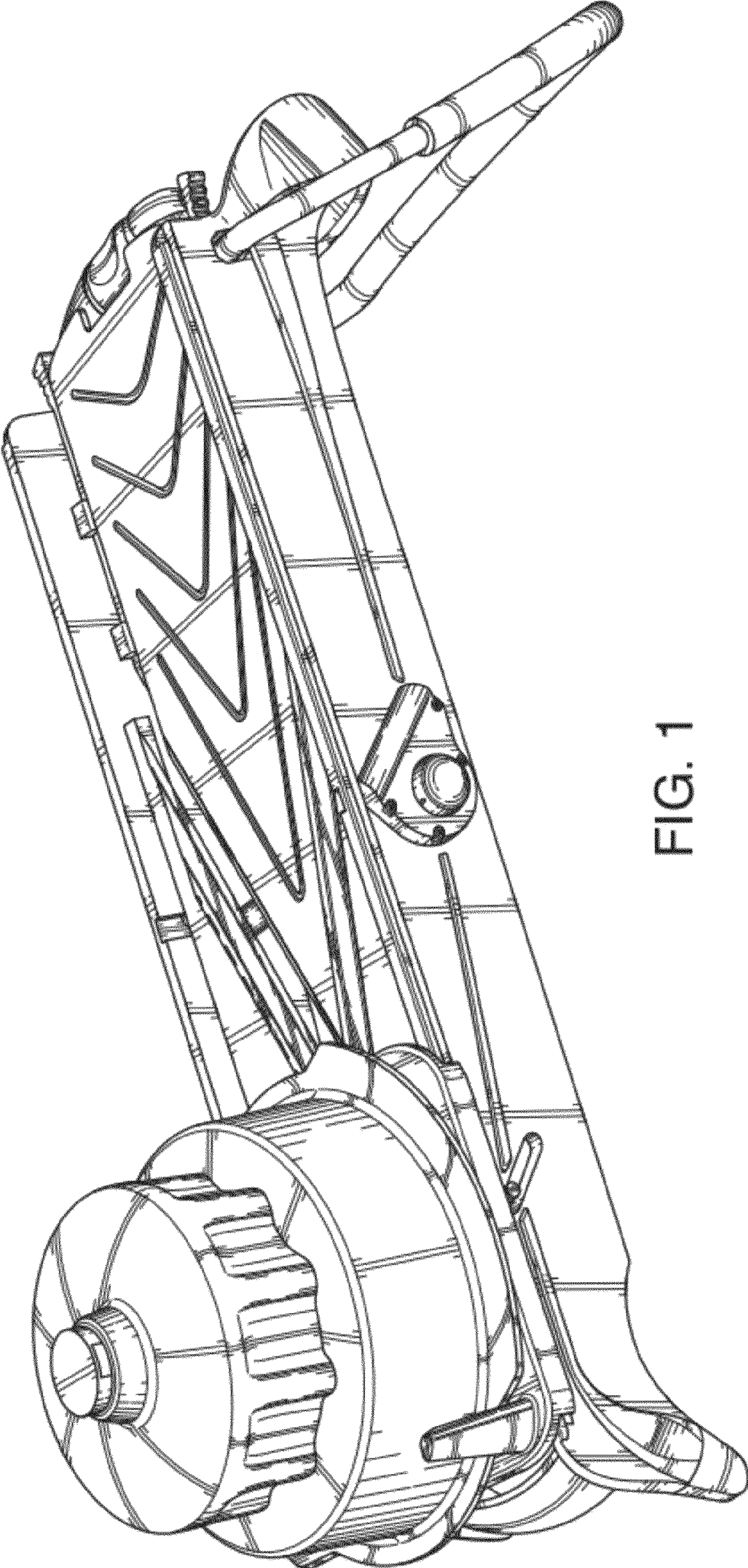


FIG. 1



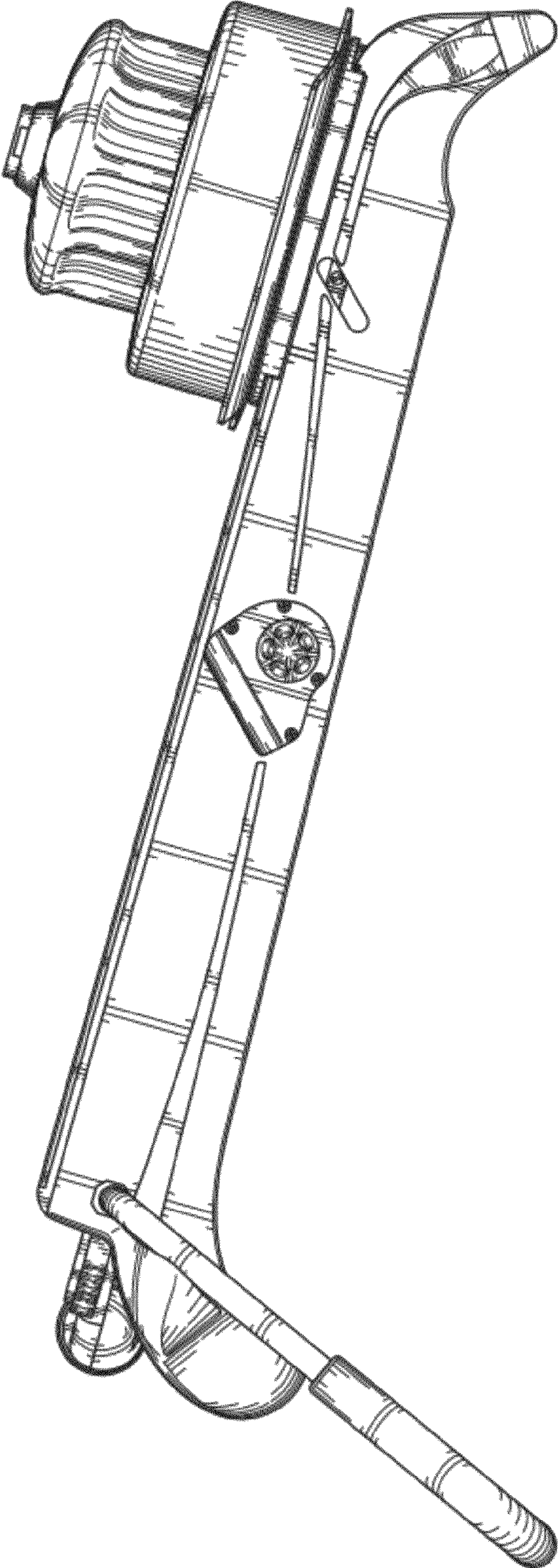


FIG. 2



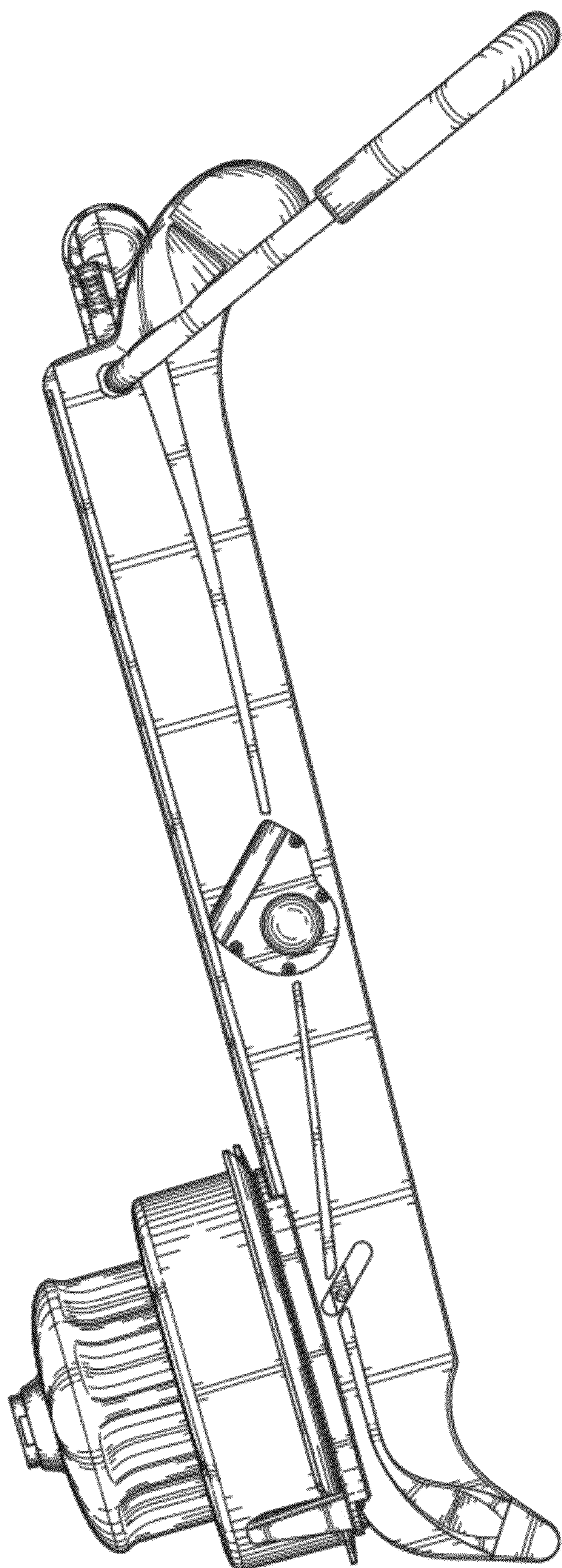


FIG. 3



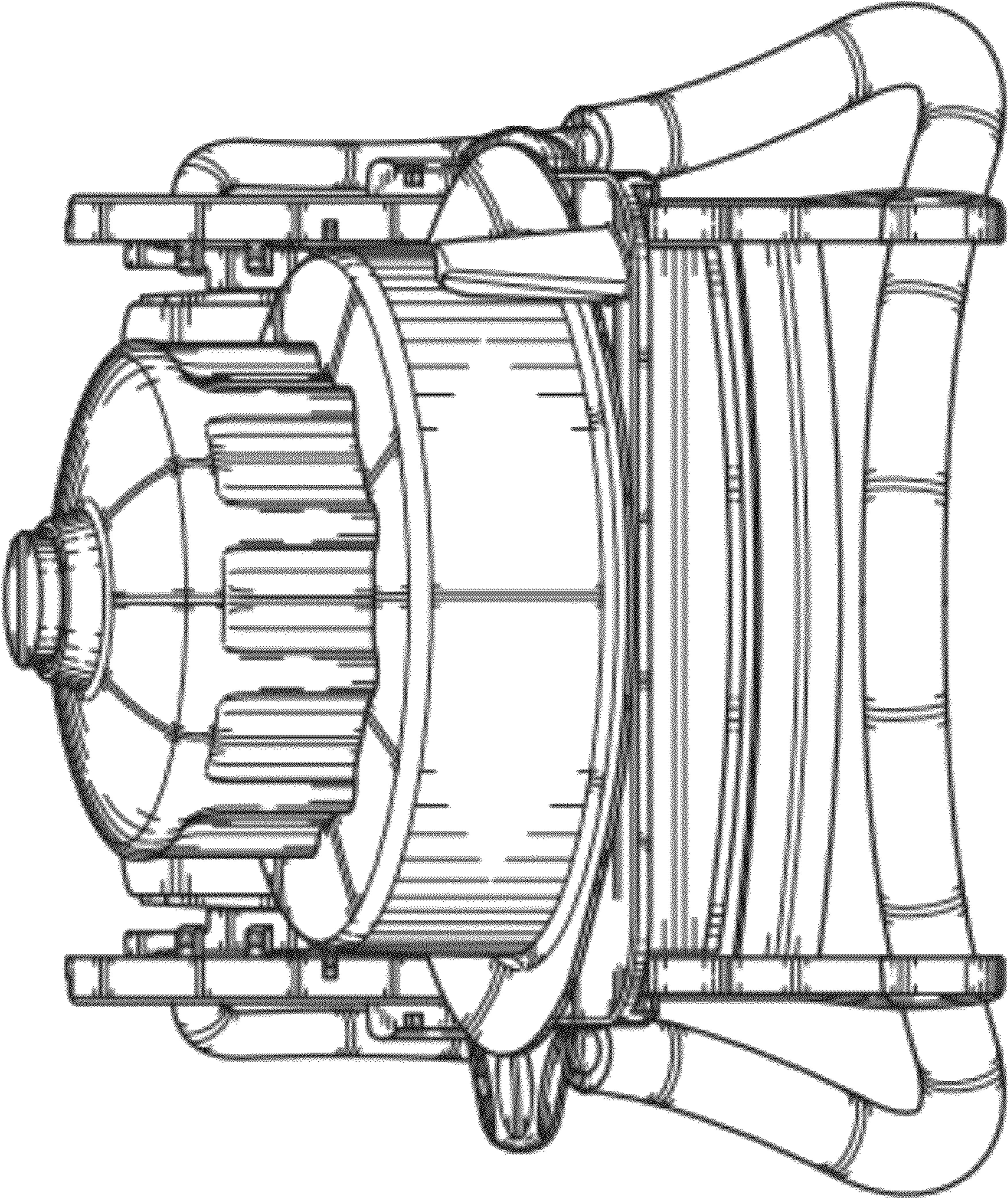


FIG. 4



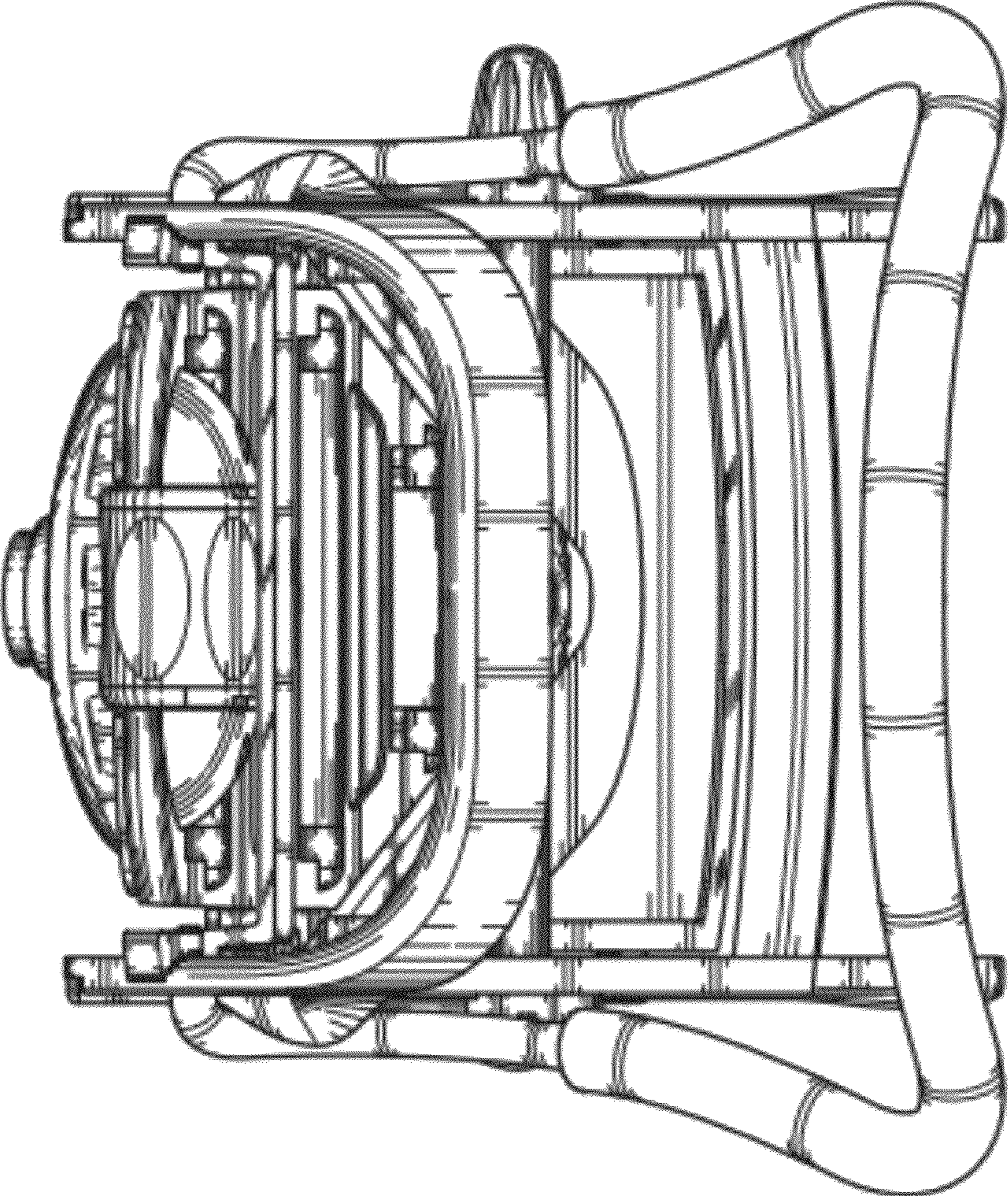


FIG. 5



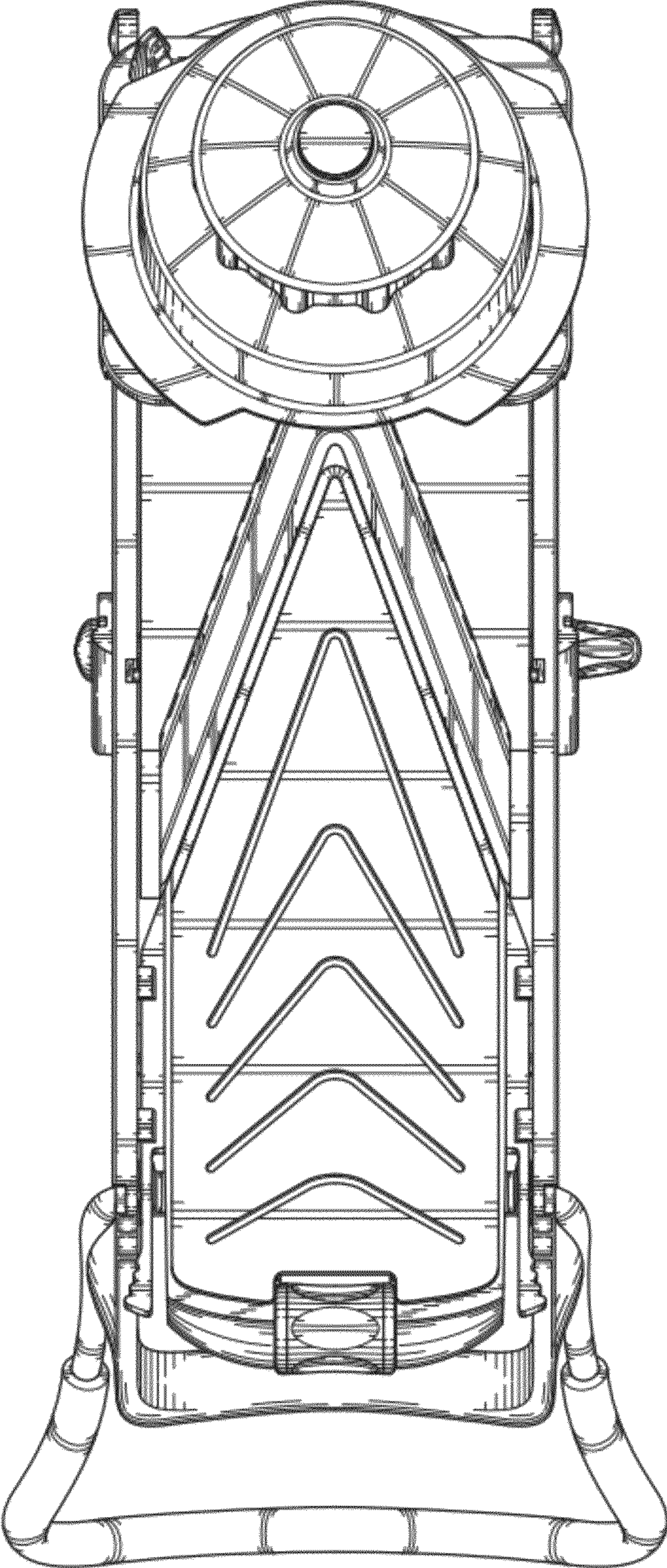


FIG. 6



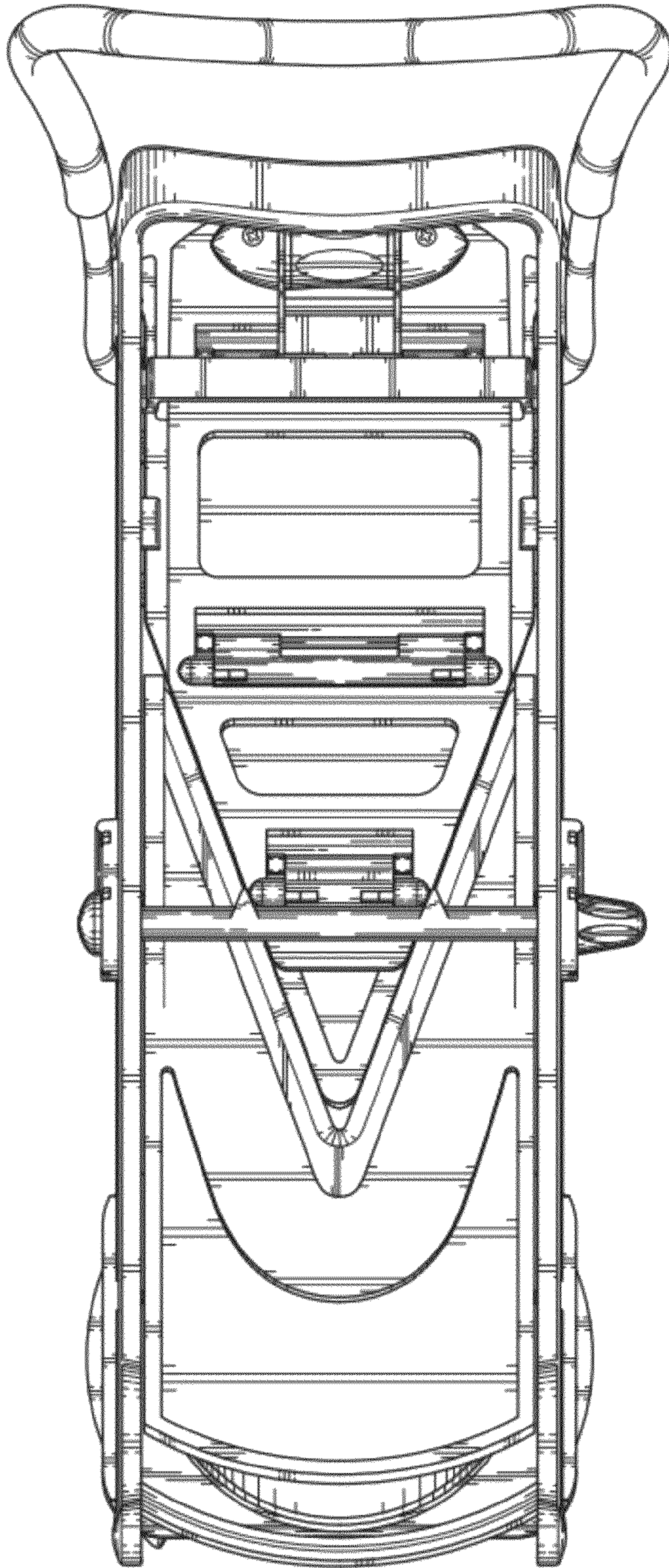


FIG. 7



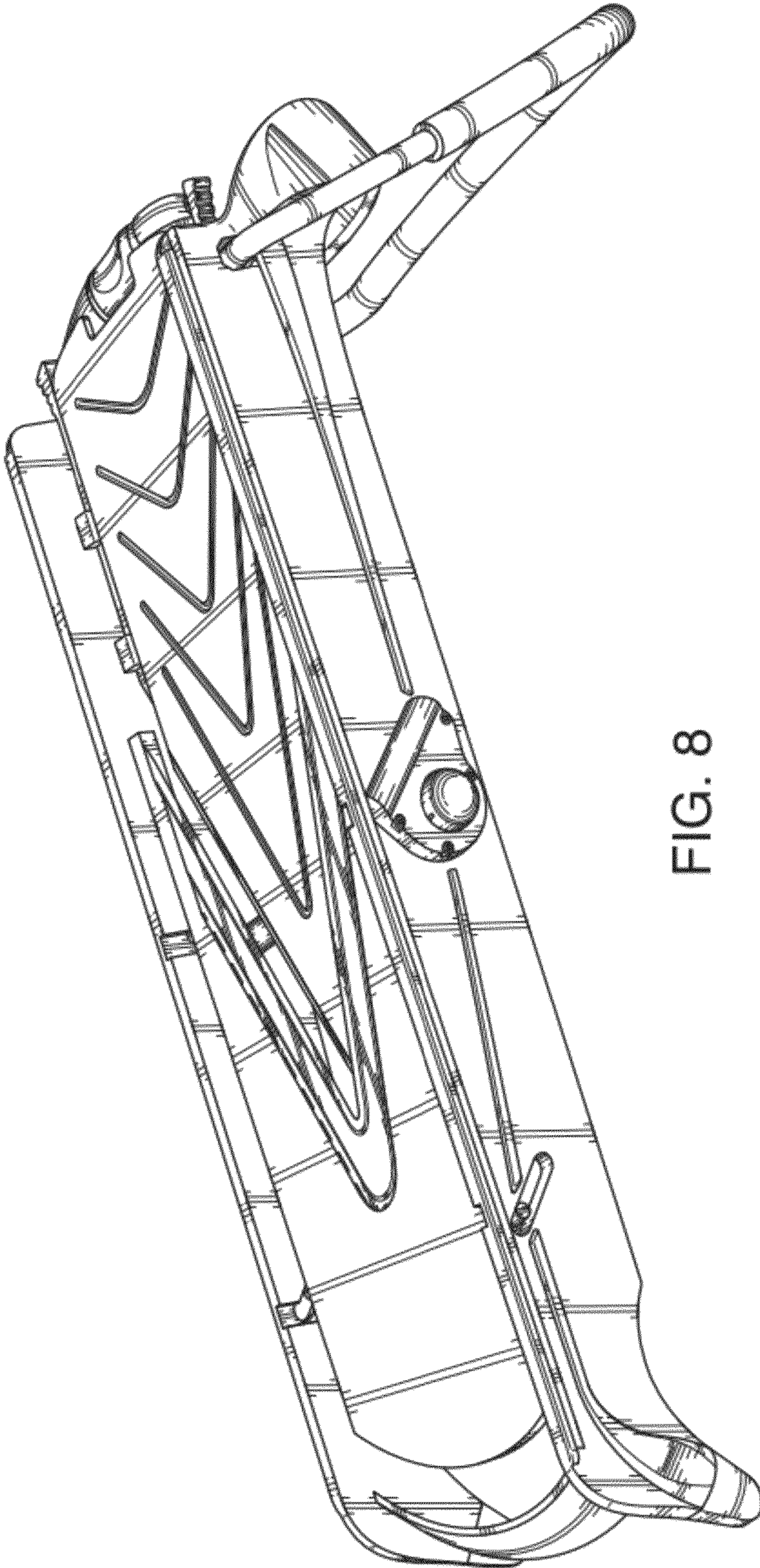


FIG. 8



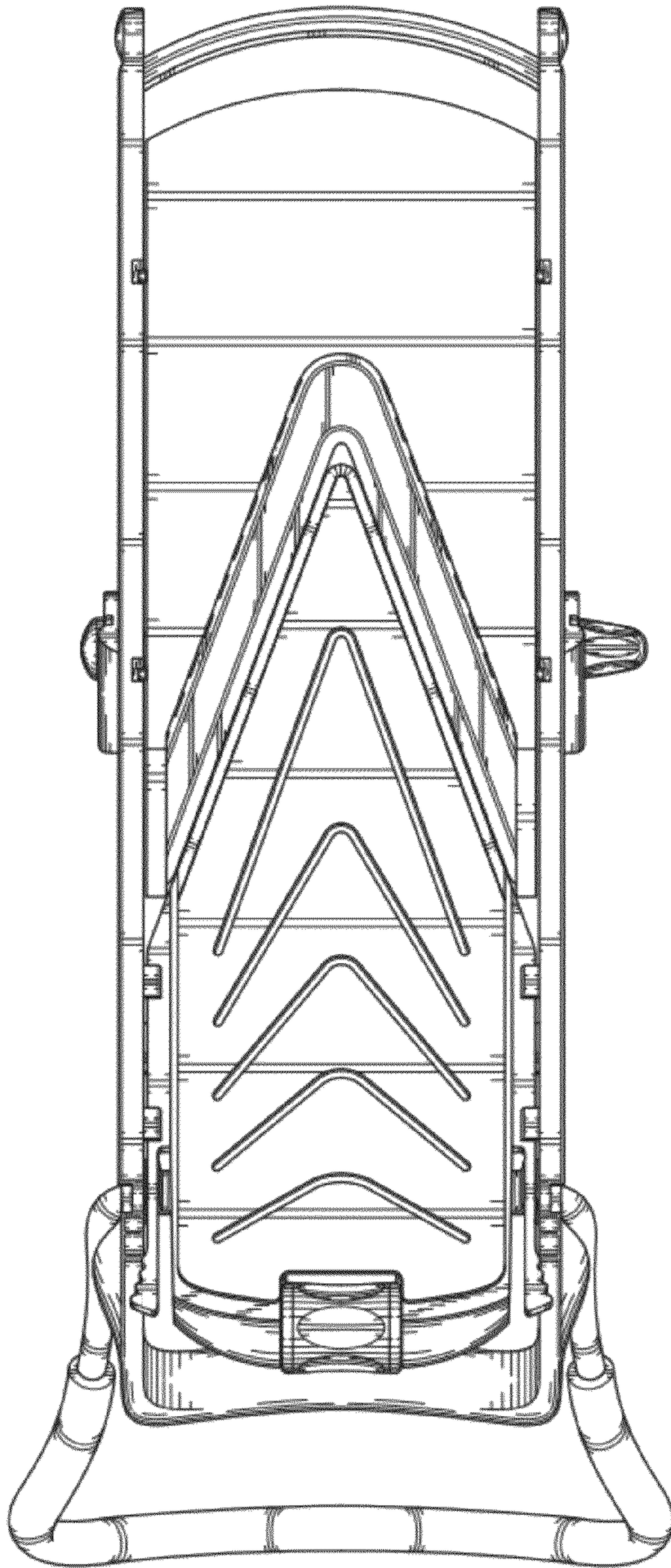


FIG. 9