



US00D670976S

(12) **United States Design Patent**  
**Goodman et al.**

(10) **Patent No.:** **US D670,976 S**  
(45) **Date of Patent:** **\*\* Nov. 20, 2012**

(54) **NAPKIN HOLDER**

(75) Inventors: **Sheldon H. Goodman**, Solon, OH (US);  
**Phaysouk Xayoiphonh**, Akron, OH  
(US); **Grace Lee**, Mayfield, OH (US)

(73) Assignee: **Spectrum Diversified Designs, Inc.**,  
Streetsboro, OH (US)

(\*\*) Term: **14 Years**

(21) Appl. No.: **29/422,698**

(22) Filed: **May 23, 2012**

(51) **LOC (9) Cl.** ..... **07-06**

(52) **U.S. Cl.** ..... **D7/631**

(58) **Field of Classification Search** ..... D7/631-634,  
D7/704, 601, 600.1-600.4, 637; D6/458,  
D6/449, 474, 462-467, 537, 566; D19/65,  
D19/75, 78, 86, 90, 91; 211/181.1, 85.31,  
211/13.1, 41.1-41.4, 11, 126.9, 133.5

See application file for complete search history.

(56) **References Cited**

U.S. PATENT DOCUMENTS

D315,925 S *	4/1991	Rich .....	D19/92
D433,286 S *	11/2000	Goodman et al. ....	D7/631
D616,253 S *	5/2010	Goodman et al. ....	D7/601
D629,656 S *	12/2010	Goodman et al. ....	D7/601

\* cited by examiner

*Primary Examiner* — Terry Wallace

(74) *Attorney, Agent, or Firm* — Pearne & Gordon LLP

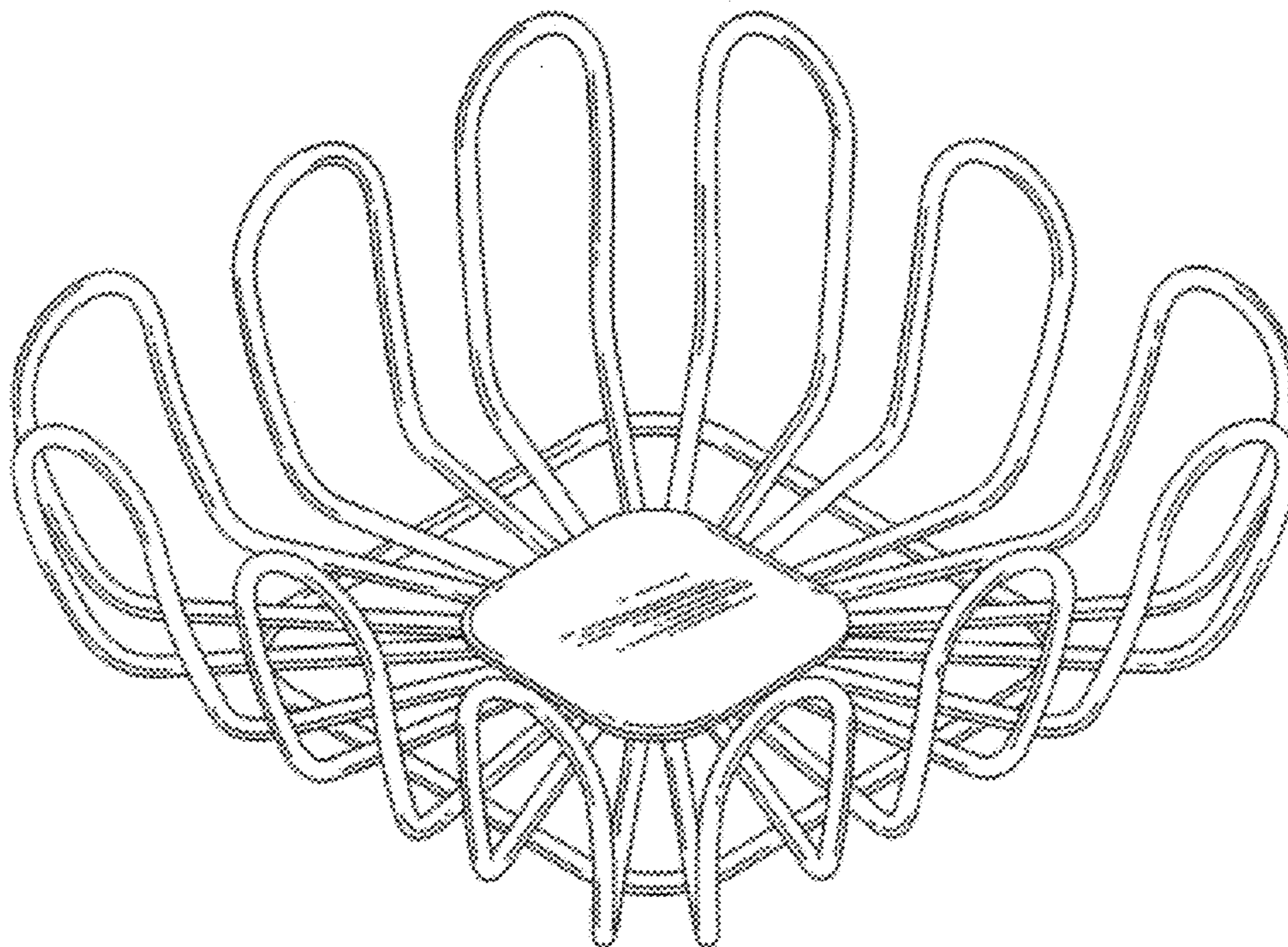
(57) **CLAIM**

The ornamental design for a napkin holder, as shown and described.

**DESCRIPTION**

FIG. 1 is a perspective view of a napkin holder showing our new design;  
FIG. 2 is a front elevational view thereof, the rear and side elevational views being identical;  
FIG. 3 is a top plan view thereof; and,  
FIG. 4 is a bottom plan view thereof.

**1 Claim, 3 Drawing Sheets**



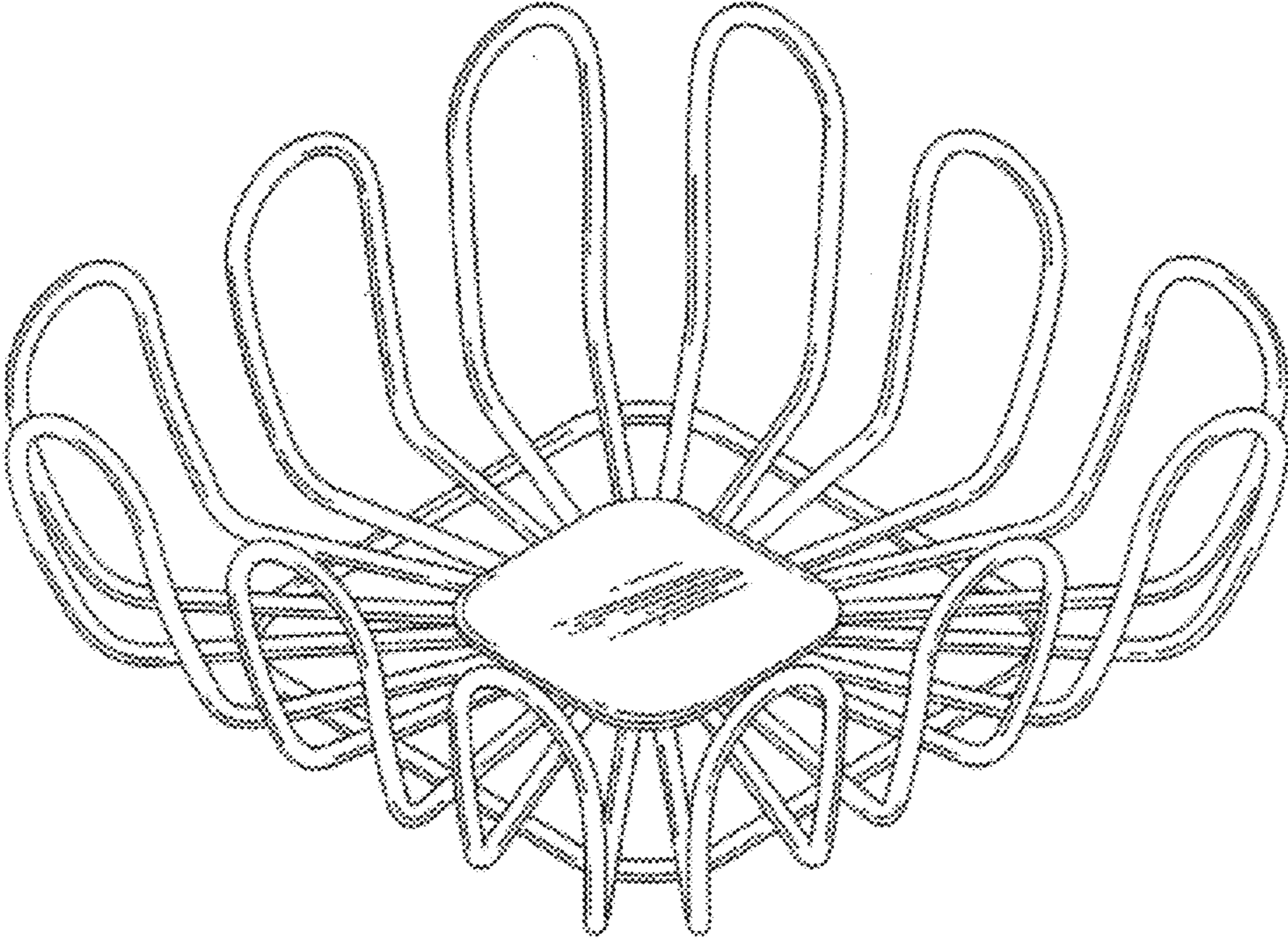


FIG 1

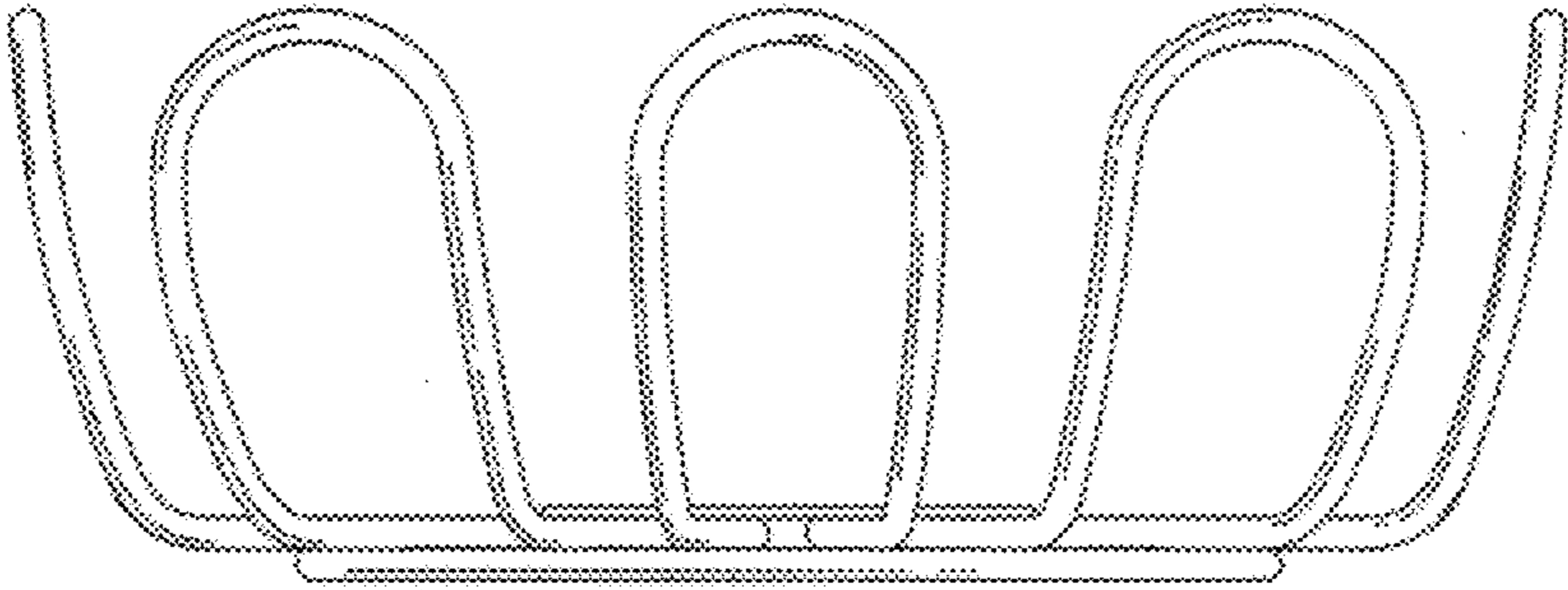


FIG 2

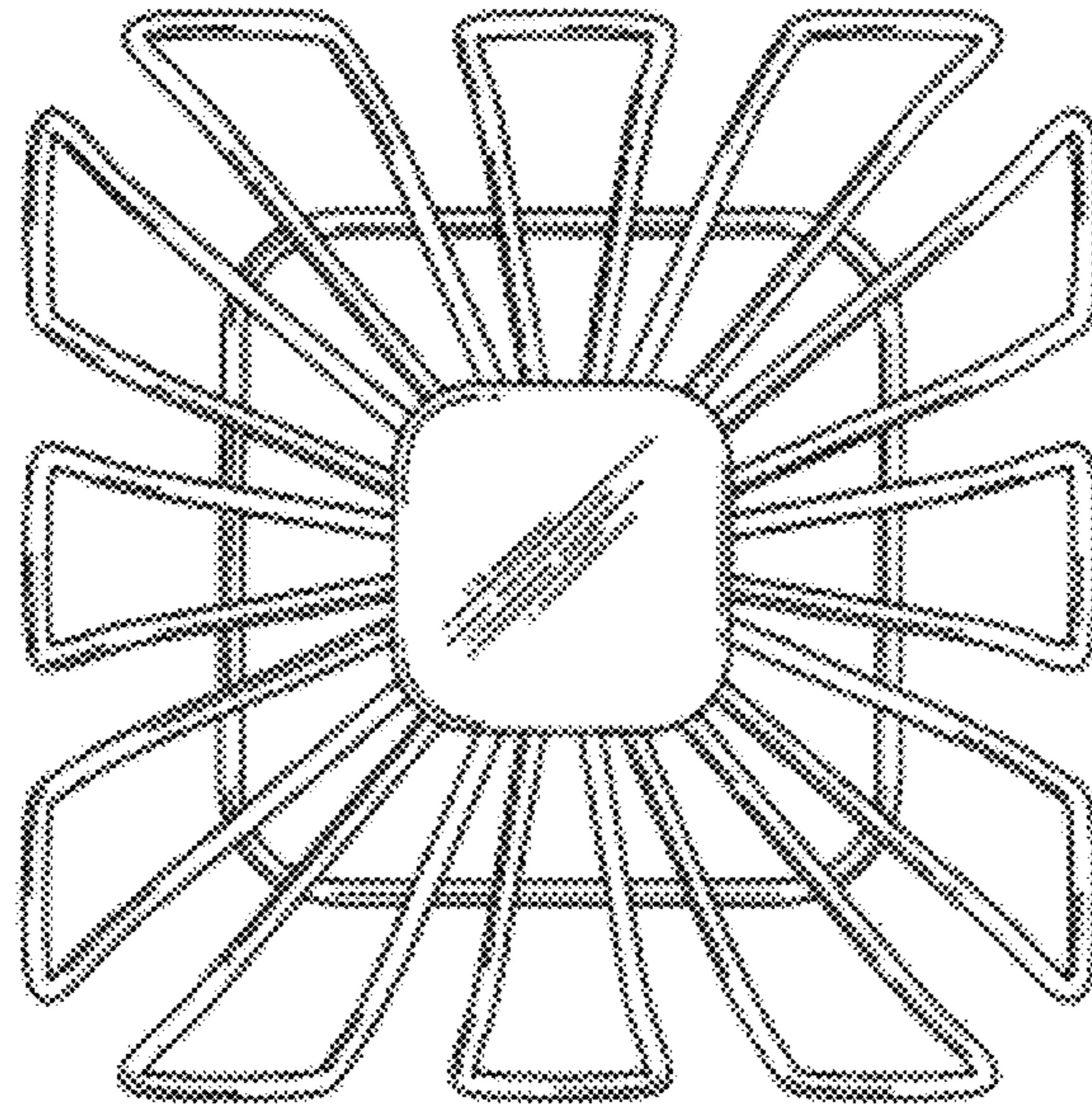


FIG 3

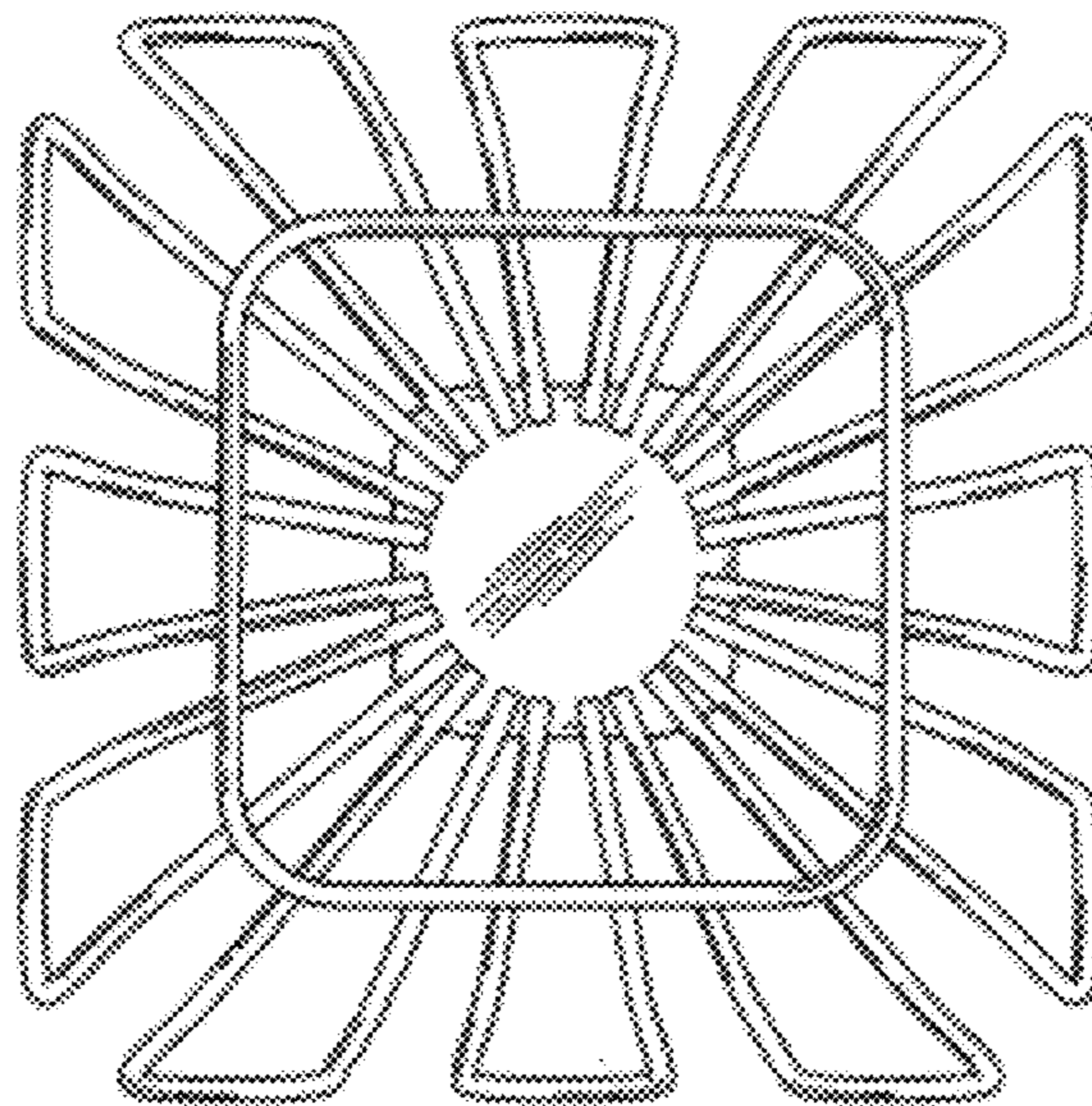


FIG 4