

US00D670973S

(12) **United States Design Patent**
Piacenza et al.

(10) **Patent No.:** **US D670,973 S**

(45) **Date of Patent:** **** Nov. 20, 2012**

(54) **CHEESE SAVER**

(76) Inventors: **Raffaele Piacenza**, Cornegliano
Laudense (IT); **Alessandro Piacenza**,
Cornegliano Laudense (IT)

(**) Term: **14 Years**

(21) Appl. No.: **29/415,314**

(22) Filed: **Mar. 9, 2012**

(30) **Foreign Application Priority Data**

Jan. 30, 2012 (EM) 001982984-0001

(51) **LOC (9) Cl.** **07-07**

(52) **U.S. Cl.** **D7/629**

(58) **Field of Classification Search** D7/601,
D7/602, 629, 630, 538-542, 584, 586, 587;
D9/424-432; 220/675, 574-575, 573.1,
220/326, 236, 780-806, 4.21, 4.24, 288,
220/260

See application file for complete search history.

(56) **References Cited**

U.S. PATENT DOCUMENTS

D562,083 S * 2/2008 Lown et al. D7/629
D618,516 S * 6/2010 DiPietro et al. D7/629
2003/0010783 A1 * 1/2003 Prezelin 220/324
* cited by examiner

Primary Examiner — Terry Wallace
(74) *Attorney, Agent, or Firm* — Themis Law

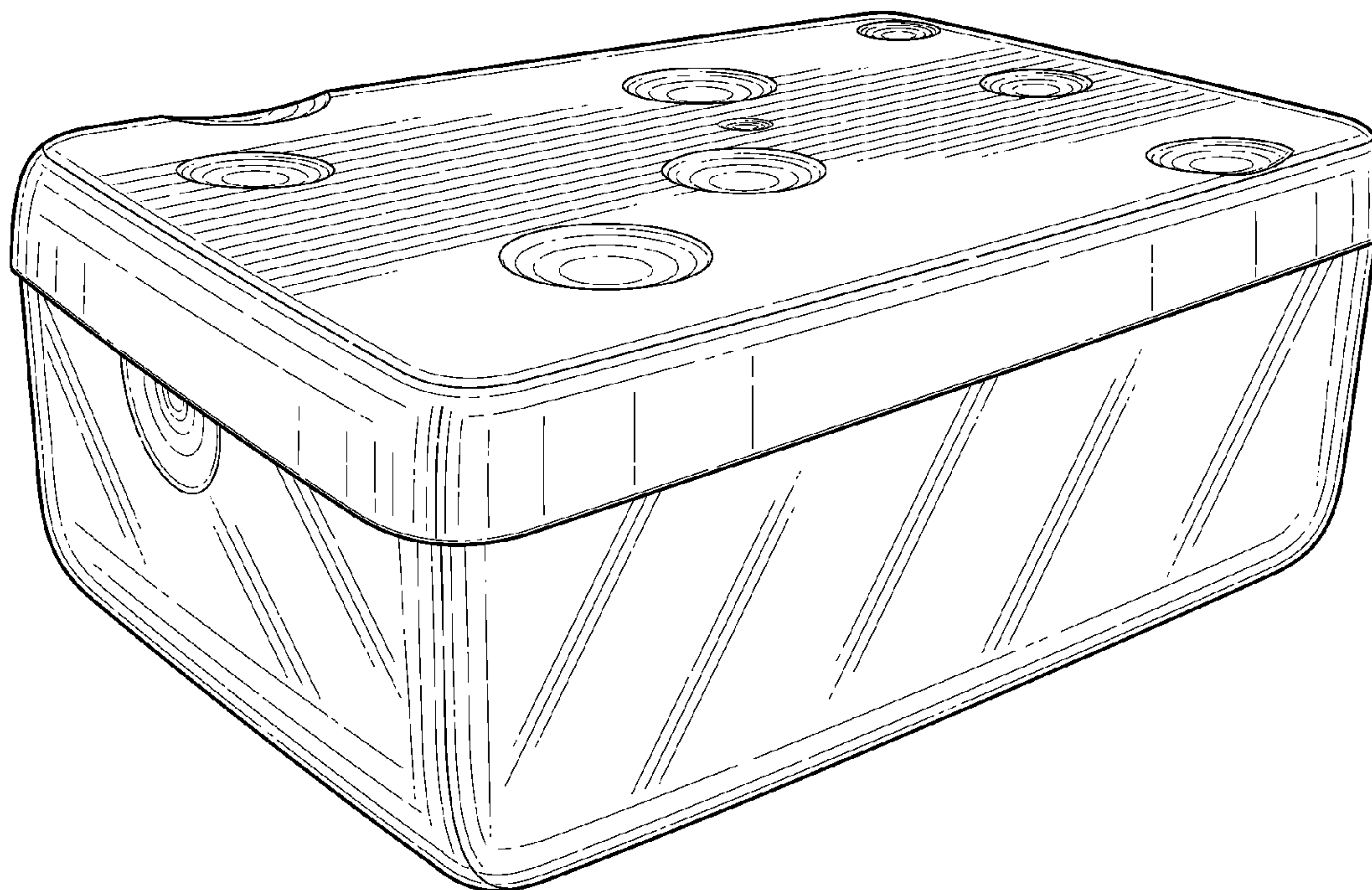
(57) **CLAIM**

The ornamental design for a cheese saver, as shown.

DESCRIPTION

FIG. 1 is a perspective view of a cheese saver showing our new design;
FIG. 2 is a right side elevational view thereof;
FIG. 3 is a left side elevational view thereof;
FIG. 4 is a front elevational view thereof;
FIG. 5 is a rear elevational view thereof;
FIG. 6 is a top plan view thereof; and,
FIG. 7 is a bottom plan view thereof.

1 Claim, 4 Drawing Sheets



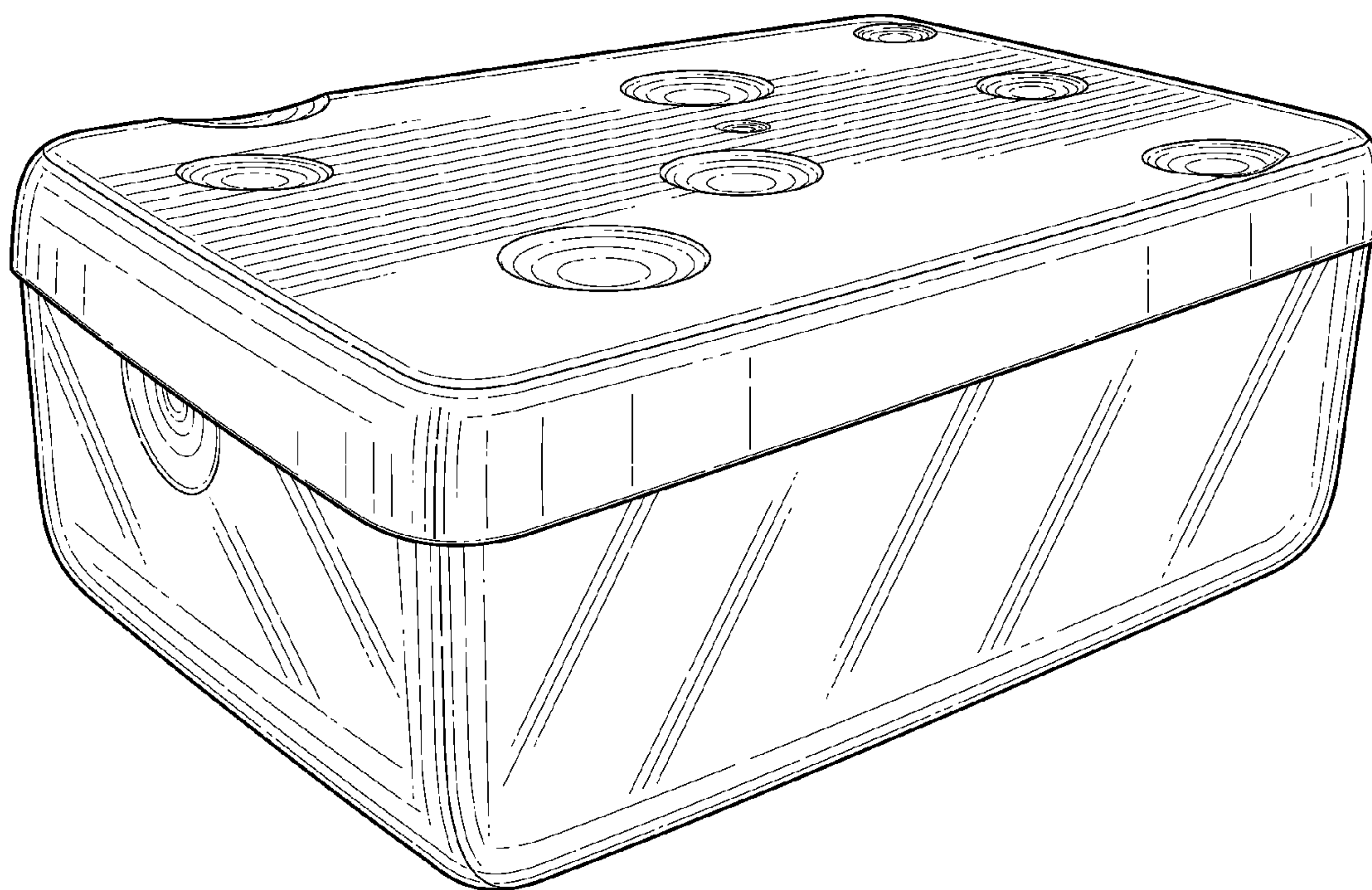


FIG. 1

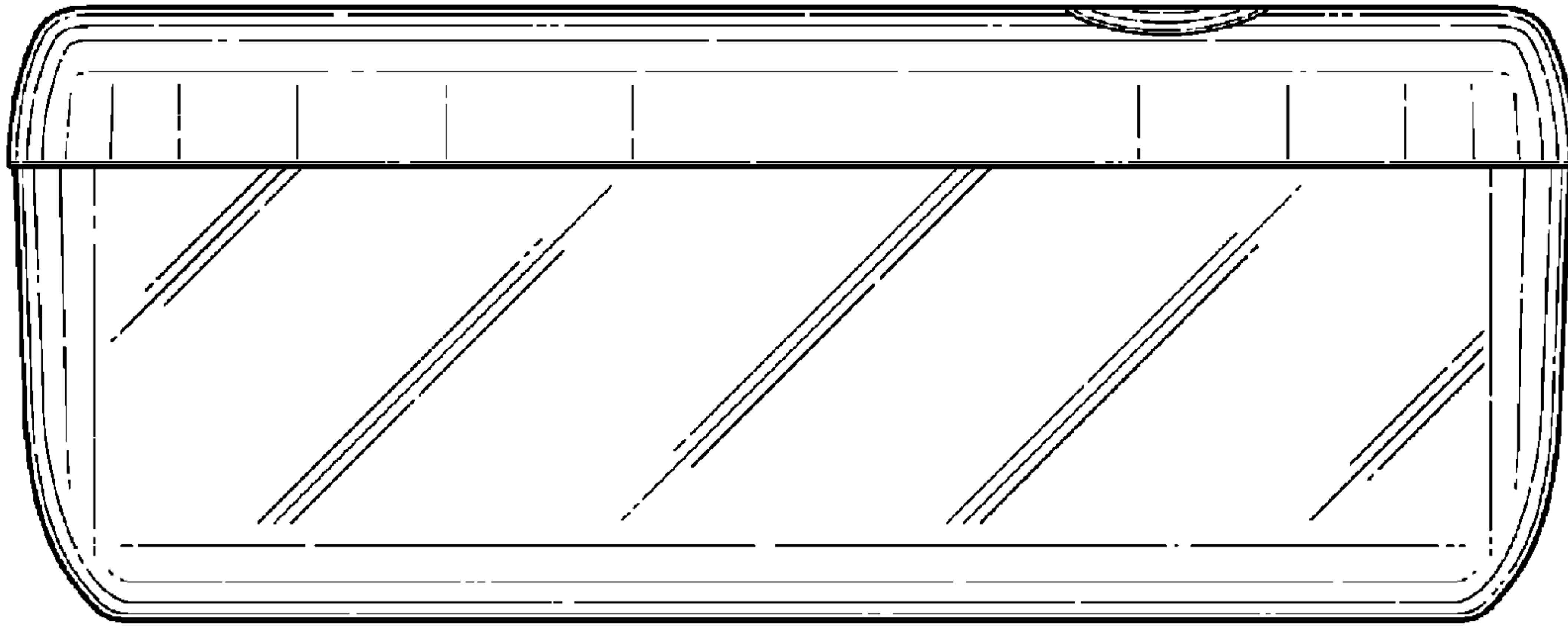


FIG. 2

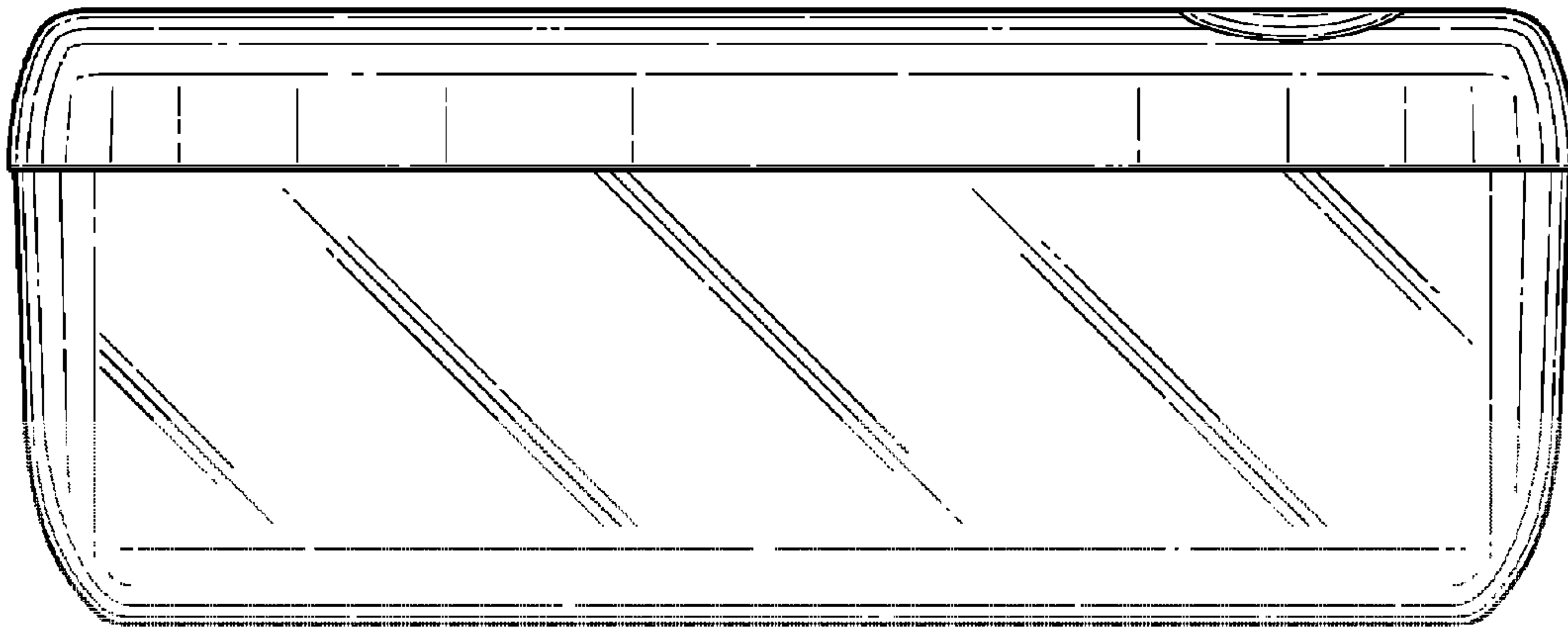


FIG. 3

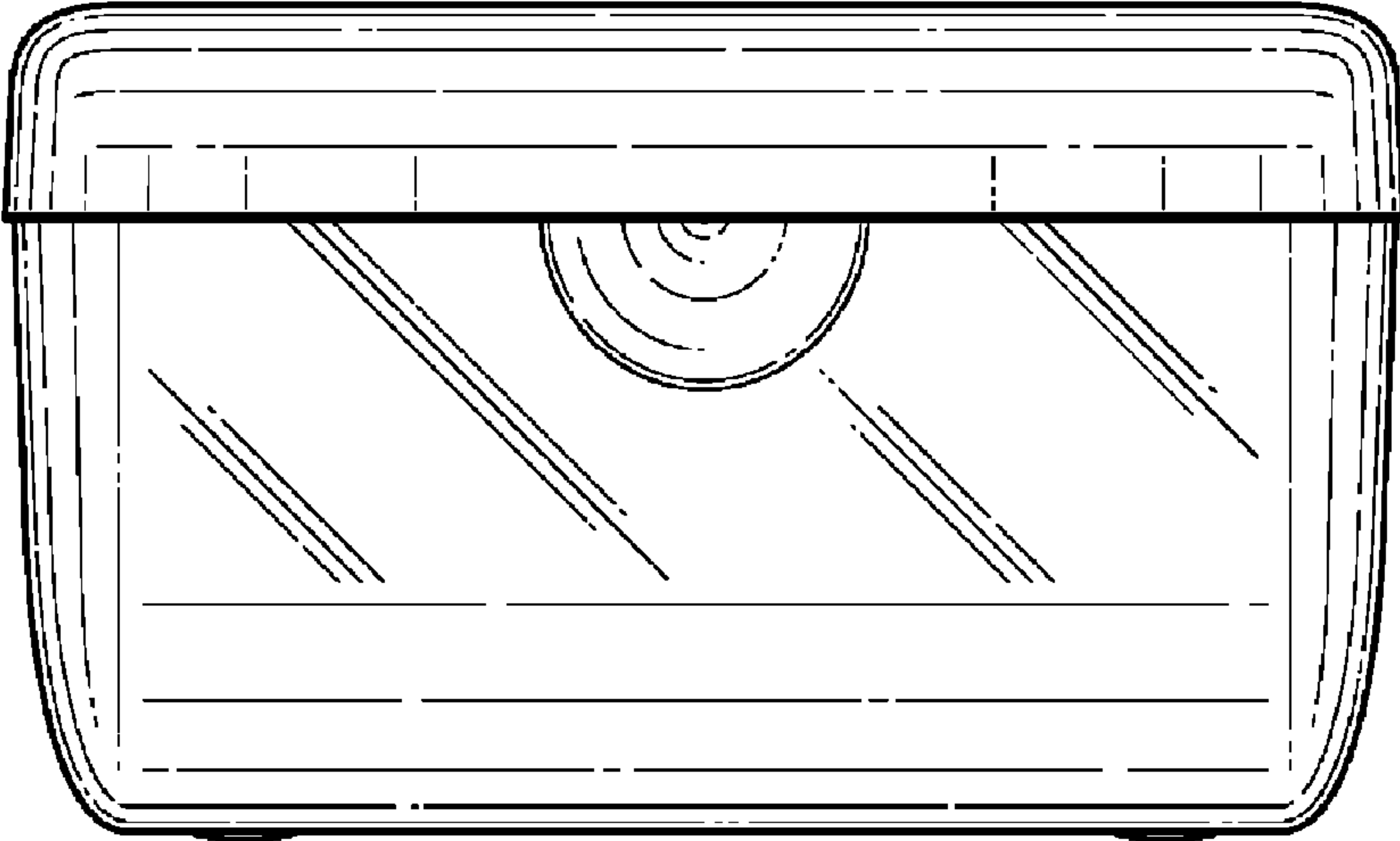


FIG. 4

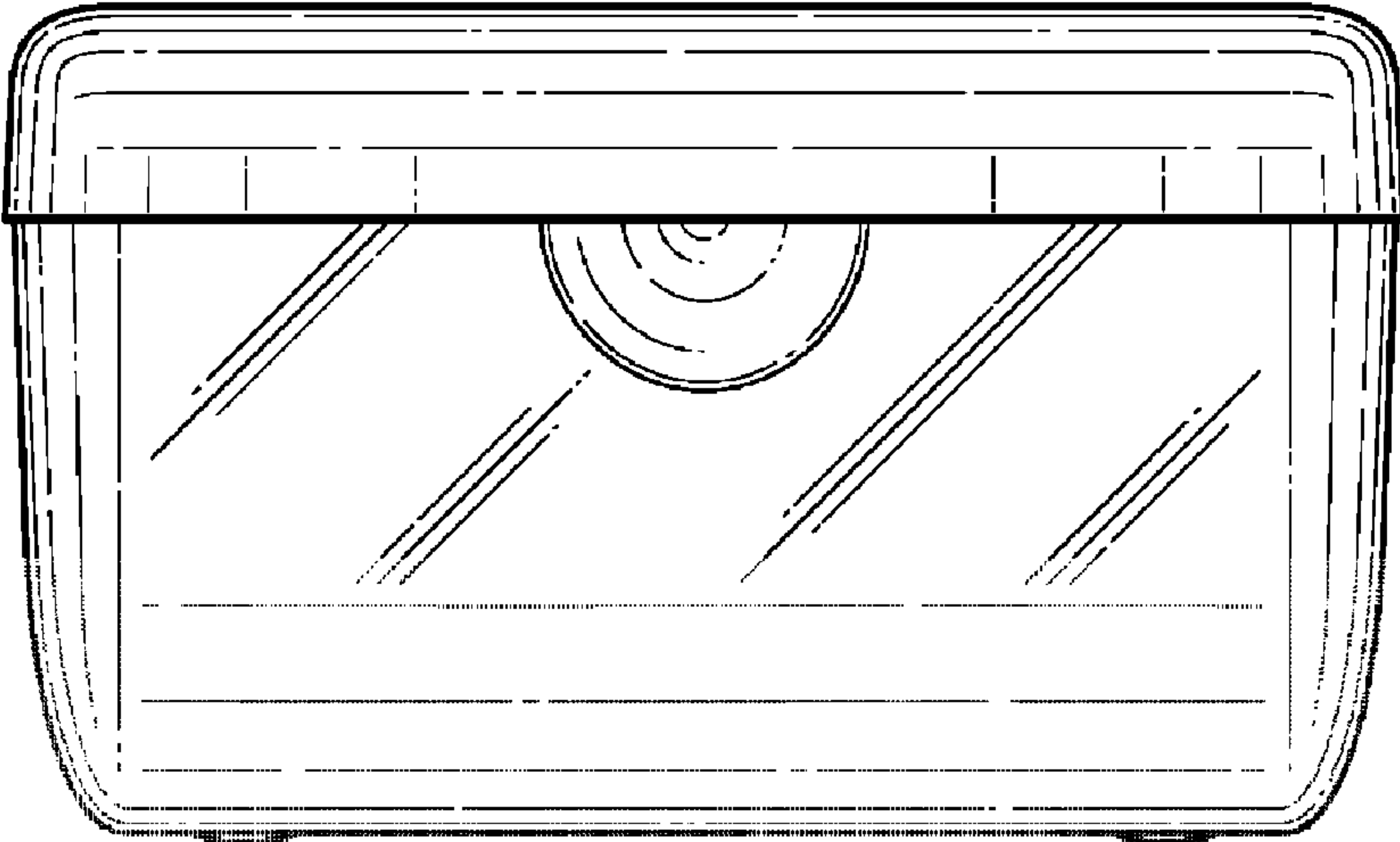


FIG. 5

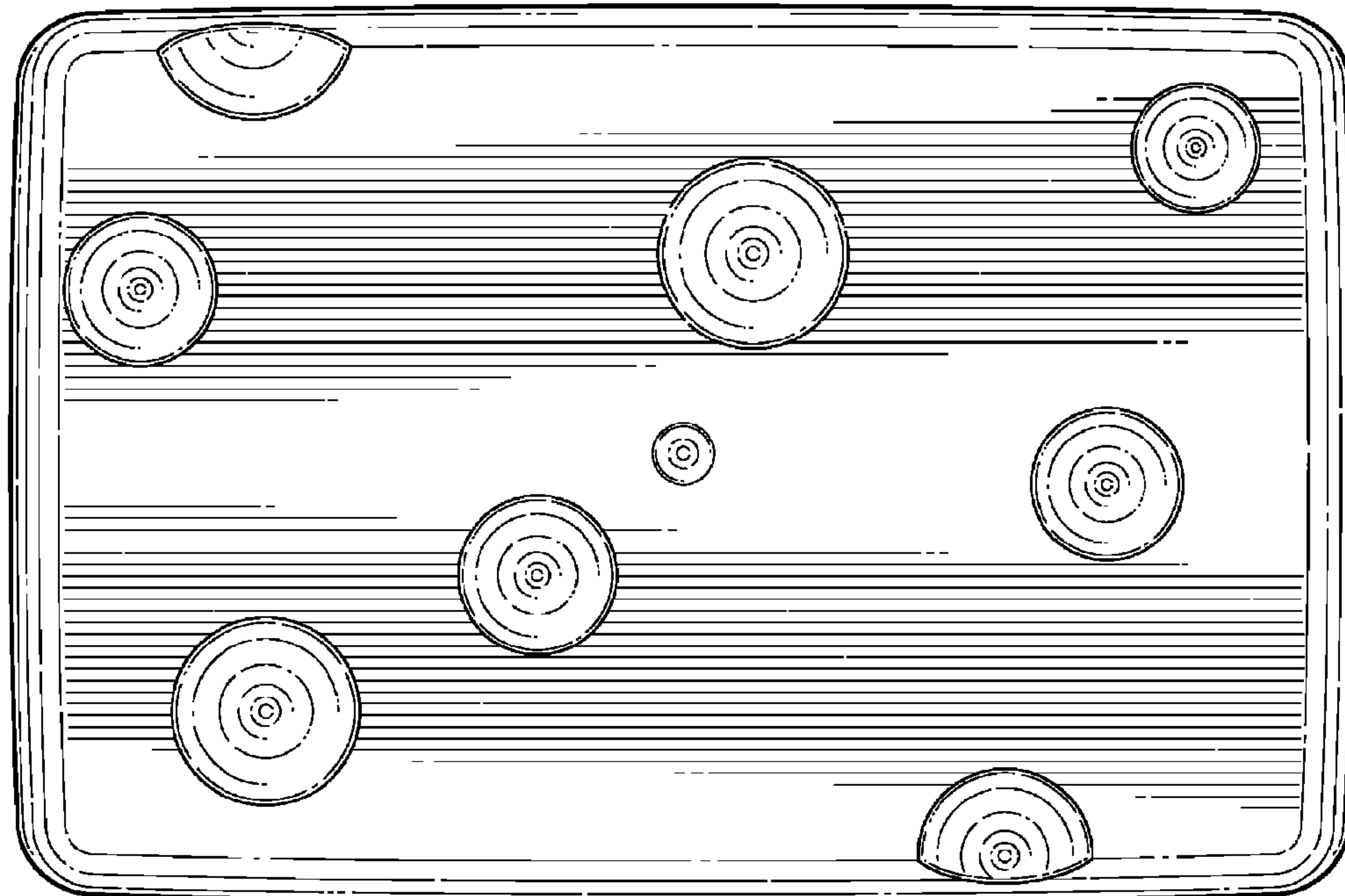


FIG. 6



FIG. 7