

US00D670972S

(12) **United States Design Patent**  
**Goodman et al.**

(10) **Patent No.:** **US D670,972 S**

(45) **Date of Patent:** **\*\* Nov. 20, 2012**

(54) **FRUIT BOWL**

(75) Inventors: **Sheldon H. Goodman**, Solon, OH (US);  
**Elizabeth Cho**, Evanston, IL (US)

(73) Assignee: **Spectrum Diversified Designs, Inc.**,  
Streetsboro, OH (US)

(\*\*) Term: **14 Years**

(21) Appl. No.: **29/423,875**

(22) Filed: **Jun. 6, 2012**

(51) **LOC (9) Cl.** ..... **07-06**

(52) **U.S. Cl.** ..... **D7/601**

(58) **Field of Classification Search** ..... D7/601,  
D7/600.1-600.4, 704, 409, 584-587, 500;  
D3/304, 306; D19/76; D6/525, 566, 567,  
D6/572, 574, 511, 537, 540, 403, 513, 556;  
211/181.1, 13.1, 41.3, 41.4, 860.1, 88.01,  
211/85.4; 220/574-575; 248/116, 121, 125.1,  
248/175, 176.1

See application file for complete search history.

(56) **References Cited**

U.S. PATENT DOCUMENTS

D274,880 S \* 7/1984 Bentson ..... D7/409  
D339,266 S \* 9/1993 Lockett ..... D7/409  
D405,289 S \* 2/1999 Rosenberg ..... D6/403  
D446,688 S \* 8/2001 Vanello ..... D7/601  
D567,030 S \* 4/2008 Goodman et al. .... D7/601  
D569,691 S \* 5/2008 Goodman et al. .... D7/601

D578,762 S \* 10/2008 Smith et al. .... D6/566  
D589,304 S \* 3/2009 Goodman et al. .... D7/601  
D589,755 S \* 4/2009 Goodman et al. .... D7/601  
D608,598 S \* 1/2010 Goodman et al. .... D7/601  
D608,599 S \* 1/2010 Goodman et al. .... D7/601  
D613,559 S \* 4/2010 Goodman et al. .... D7/601  
D616,253 S \* 5/2010 Goodman et al. .... D7/601  
D616,254 S \* 5/2010 Goodman et al. .... D7/601  
D620,711 S \* 8/2010 Hertaus ..... D3/306

\* cited by examiner

*Primary Examiner* — Terry Wallace

(74) *Attorney, Agent, or Firm* — Pearne & Gordon LLP

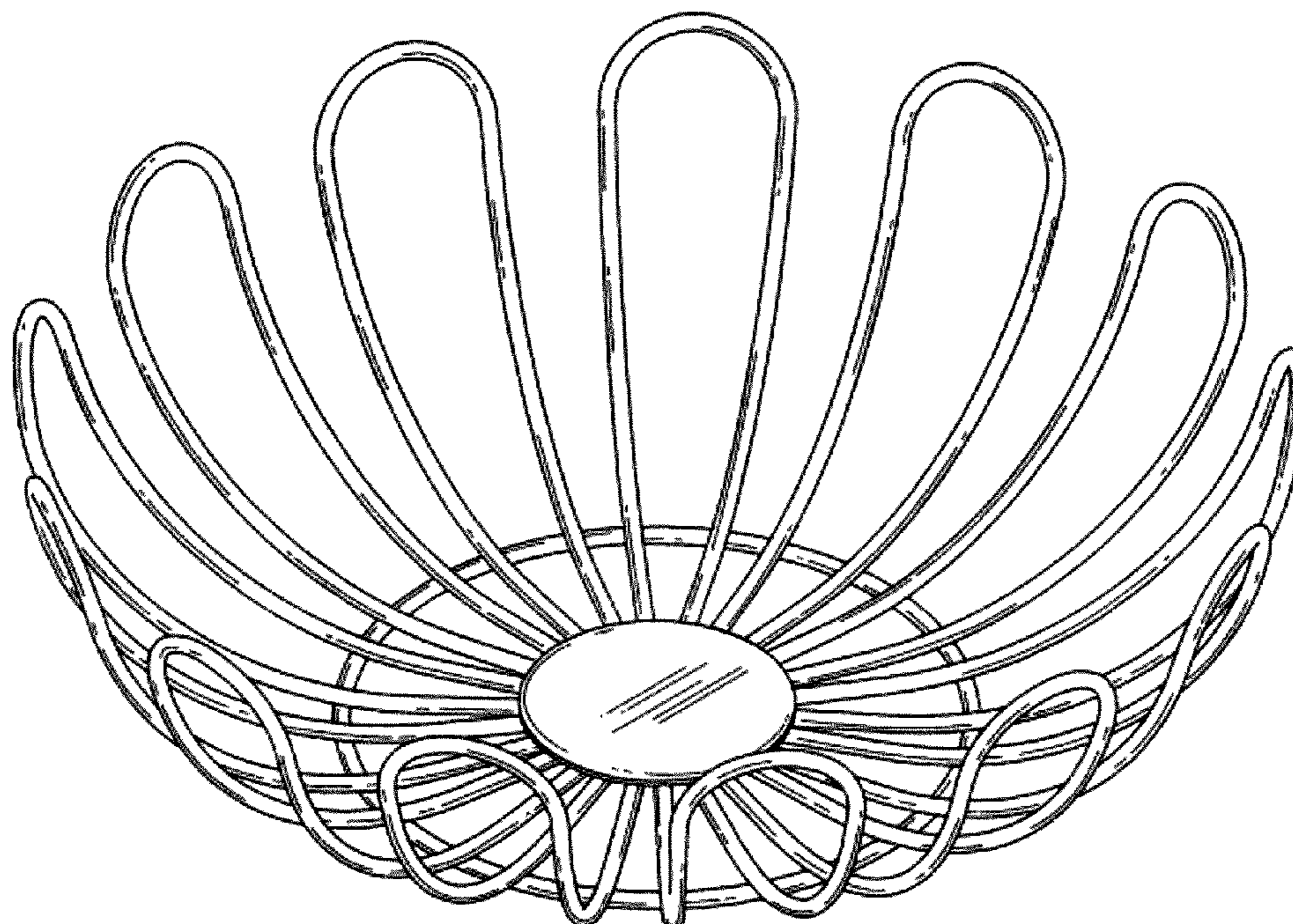
(57) **CLAIM**

The ornamental design for a fruit bowl, as shown and described.

**DESCRIPTION**

FIG. 1 is a perspective view of a first embodiment of a fruit bowl showing our new design;  
FIG. 2 is a front elevational view thereof;  
FIG. 3 is a side elevational view thereof;  
FIG. 4 is a top plan view thereof;  
FIG. 5 is a bottom plan view thereof;  
FIG. 6 is a perspective view of a second embodiment of a fruit bowl according to the invention;  
FIG. 7 is a front elevational view thereof;  
FIG. 8 is a side elevational view thereof;  
FIG. 9 is a top plan view thereof; and,  
FIG. 10 is a bottom plan view thereof.

**1 Claim, 6 Drawing Sheets**



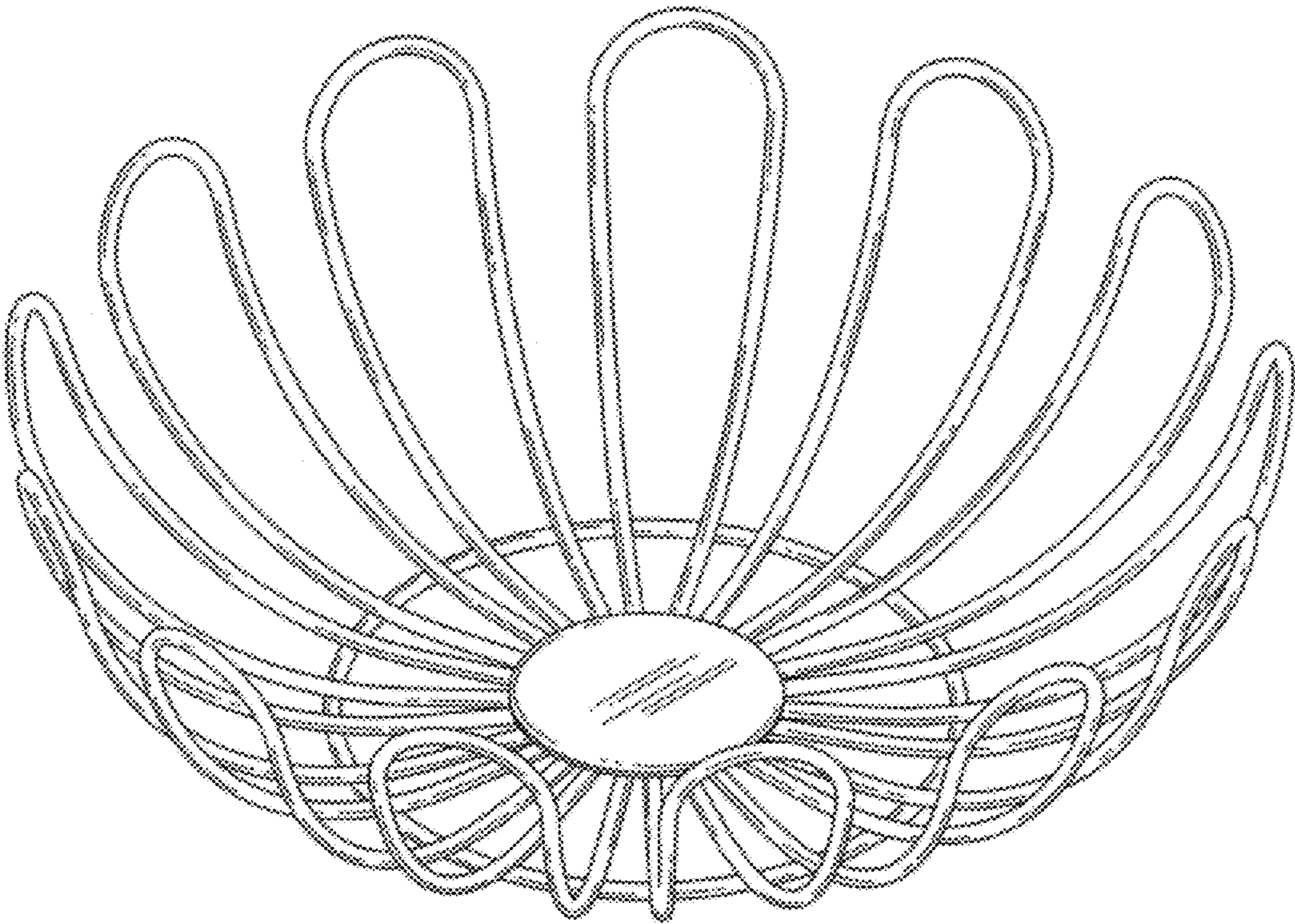


FIG 1



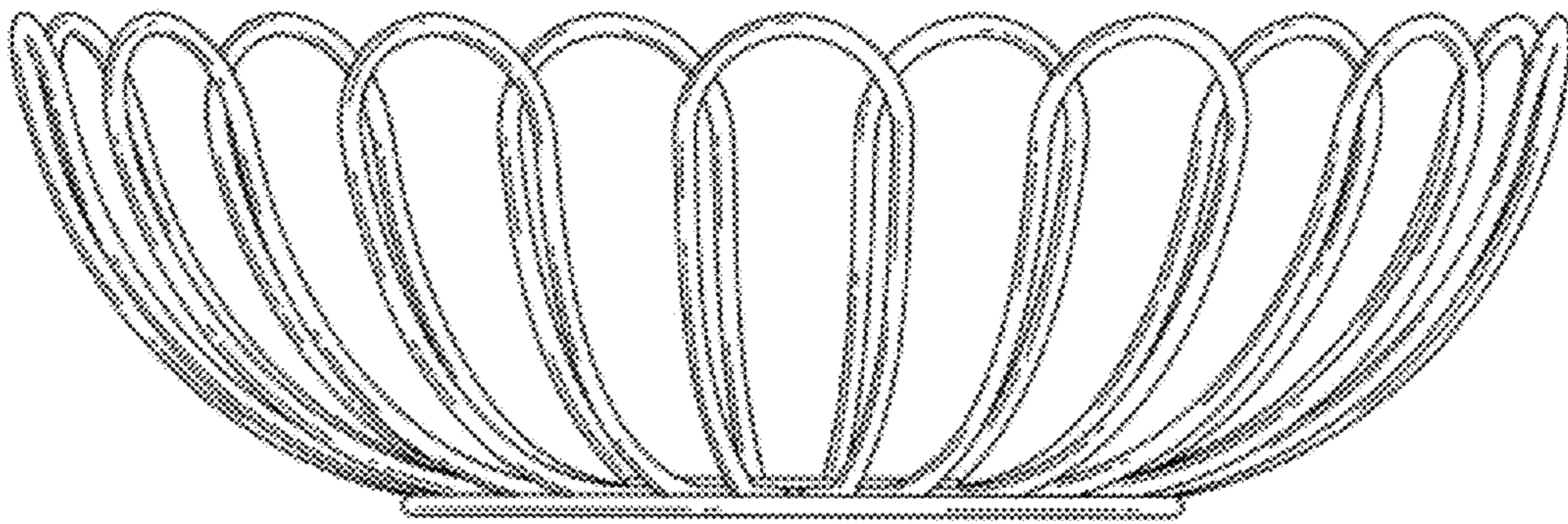


FIG 2

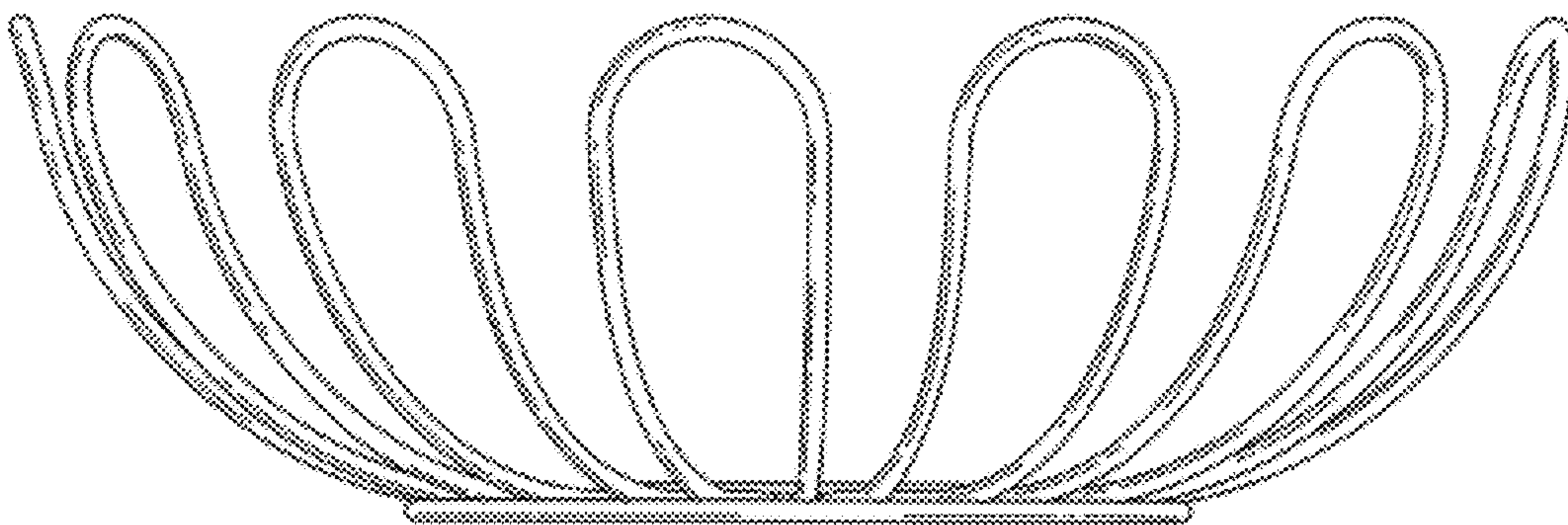
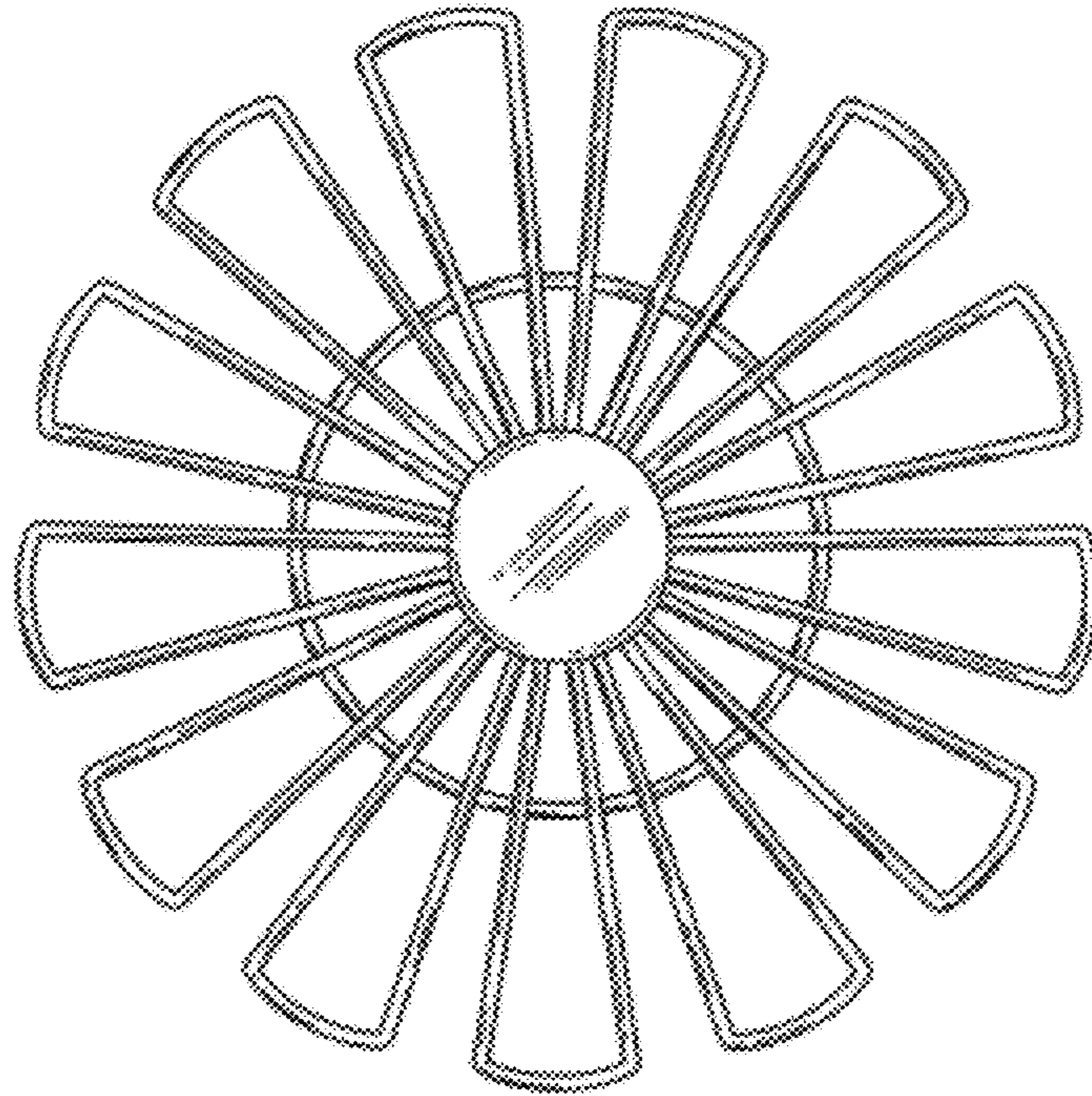
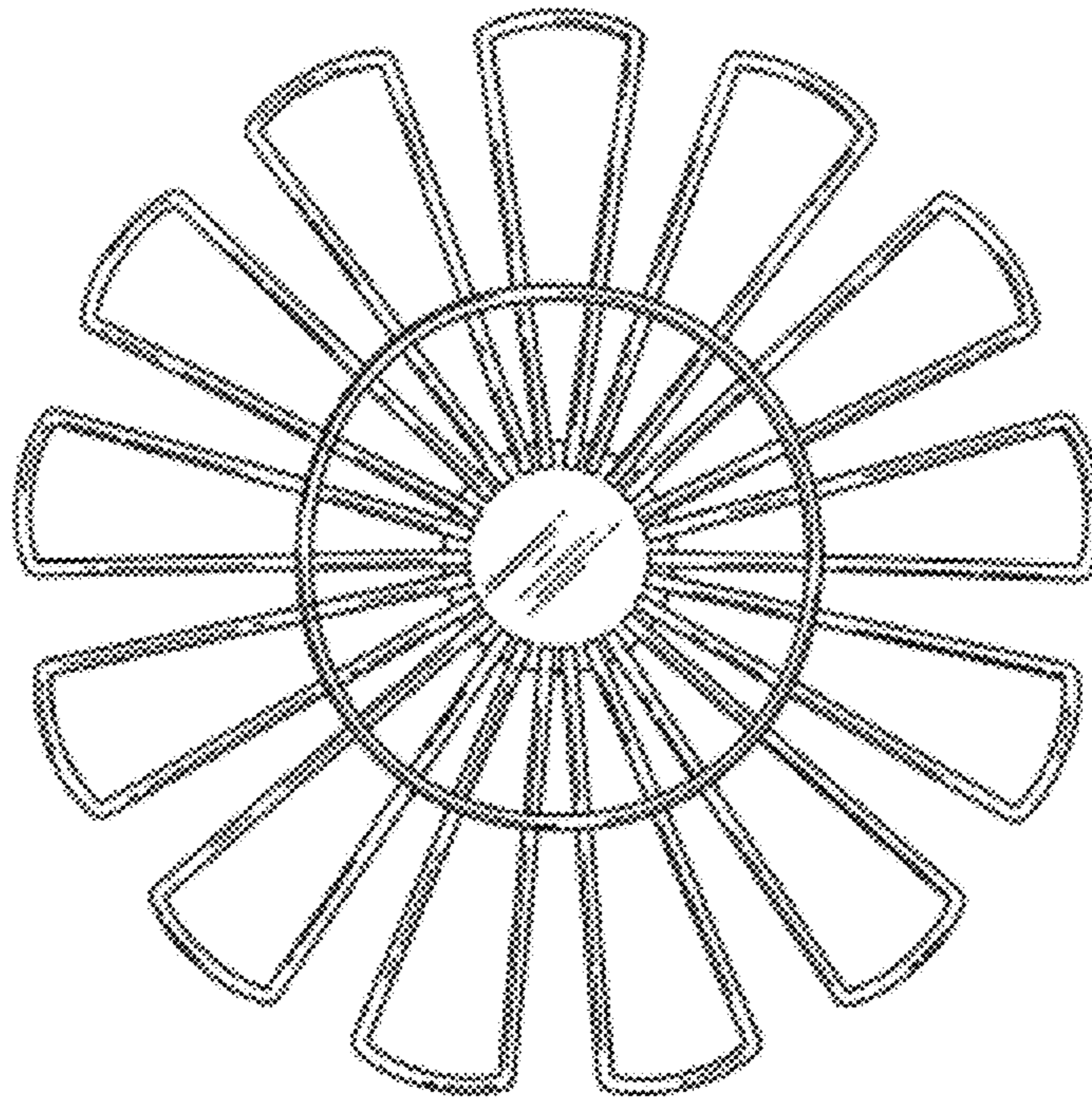


FIG 3



**FIG 4**



**FIG 5**



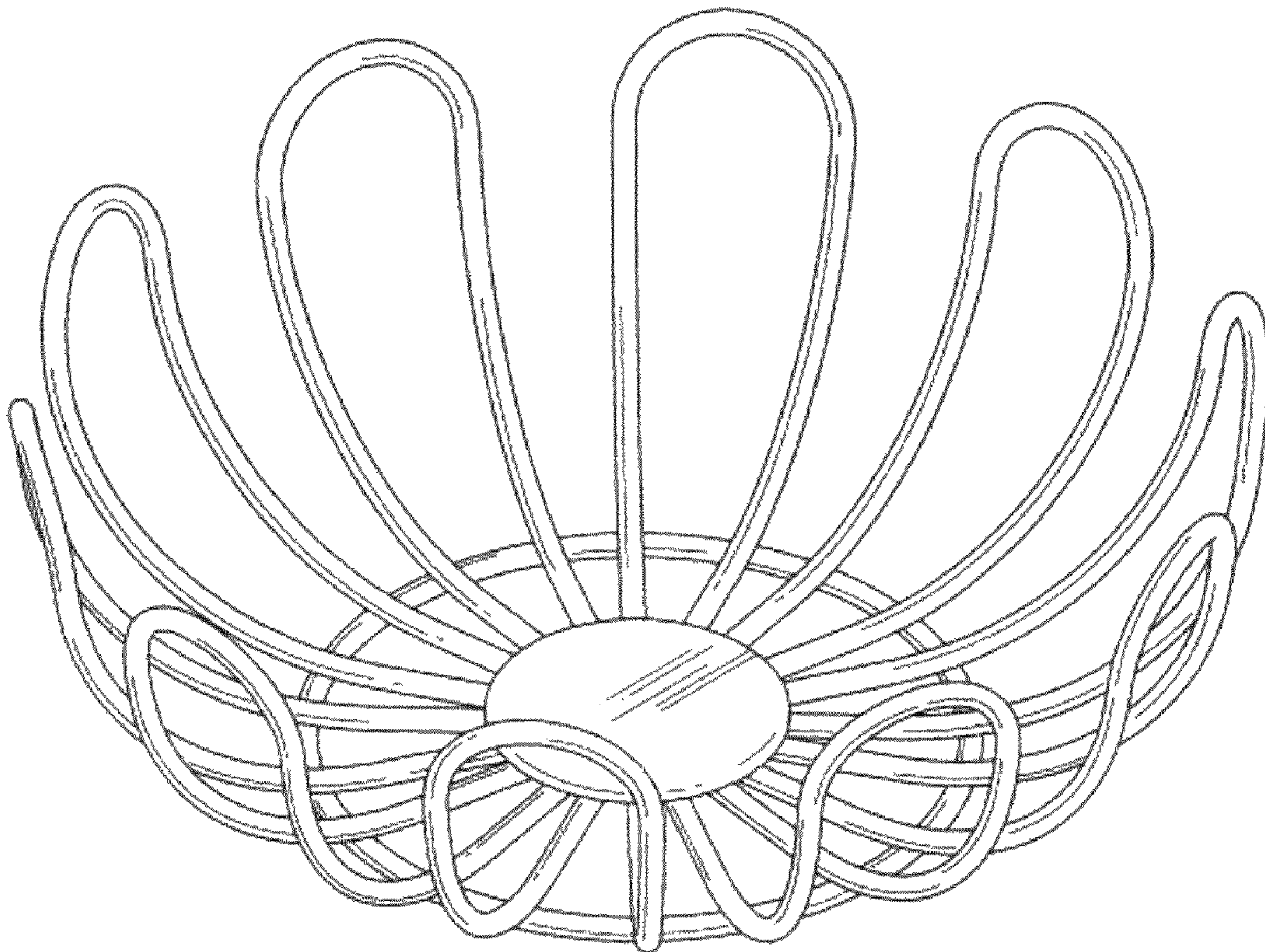
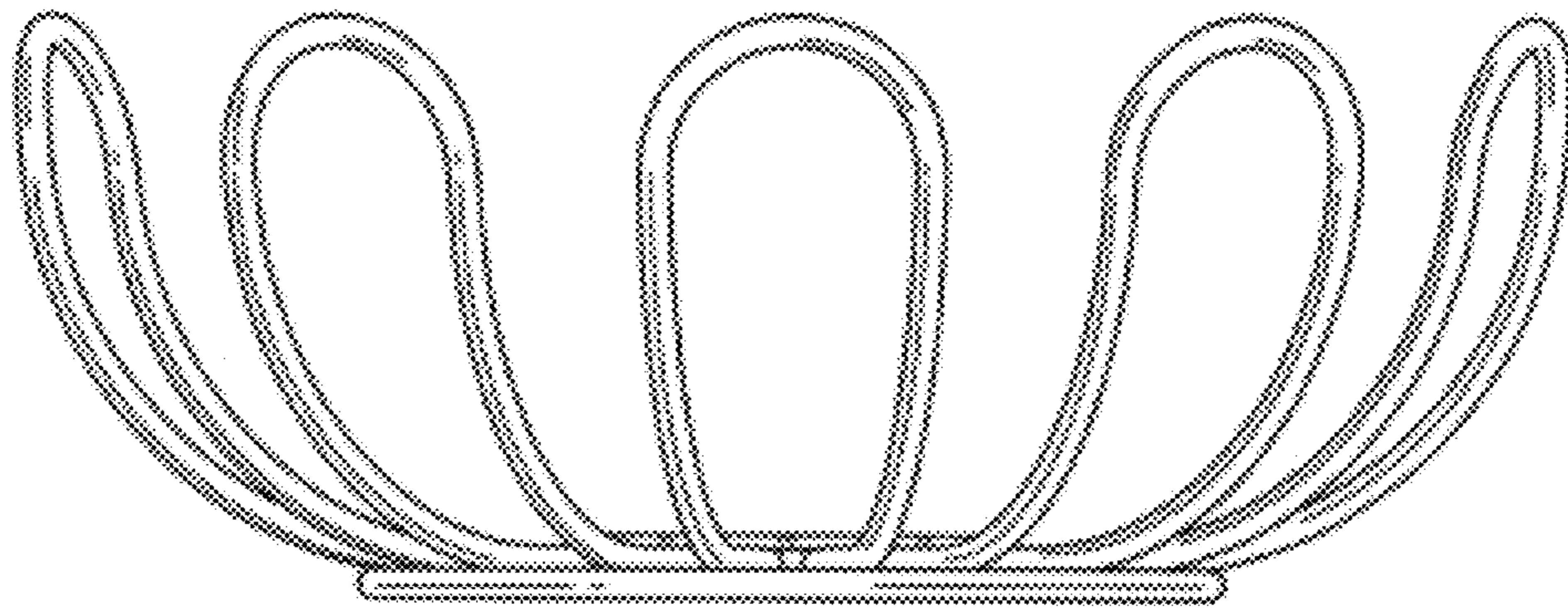
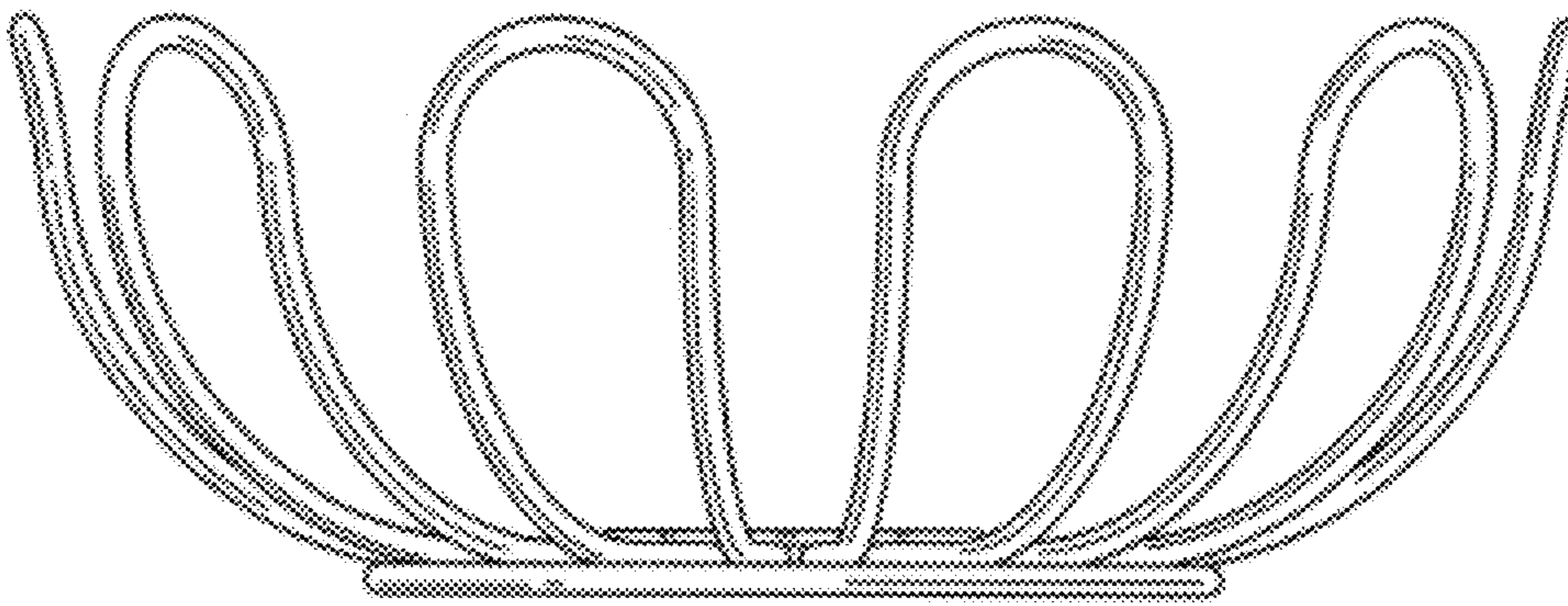


FIG 6

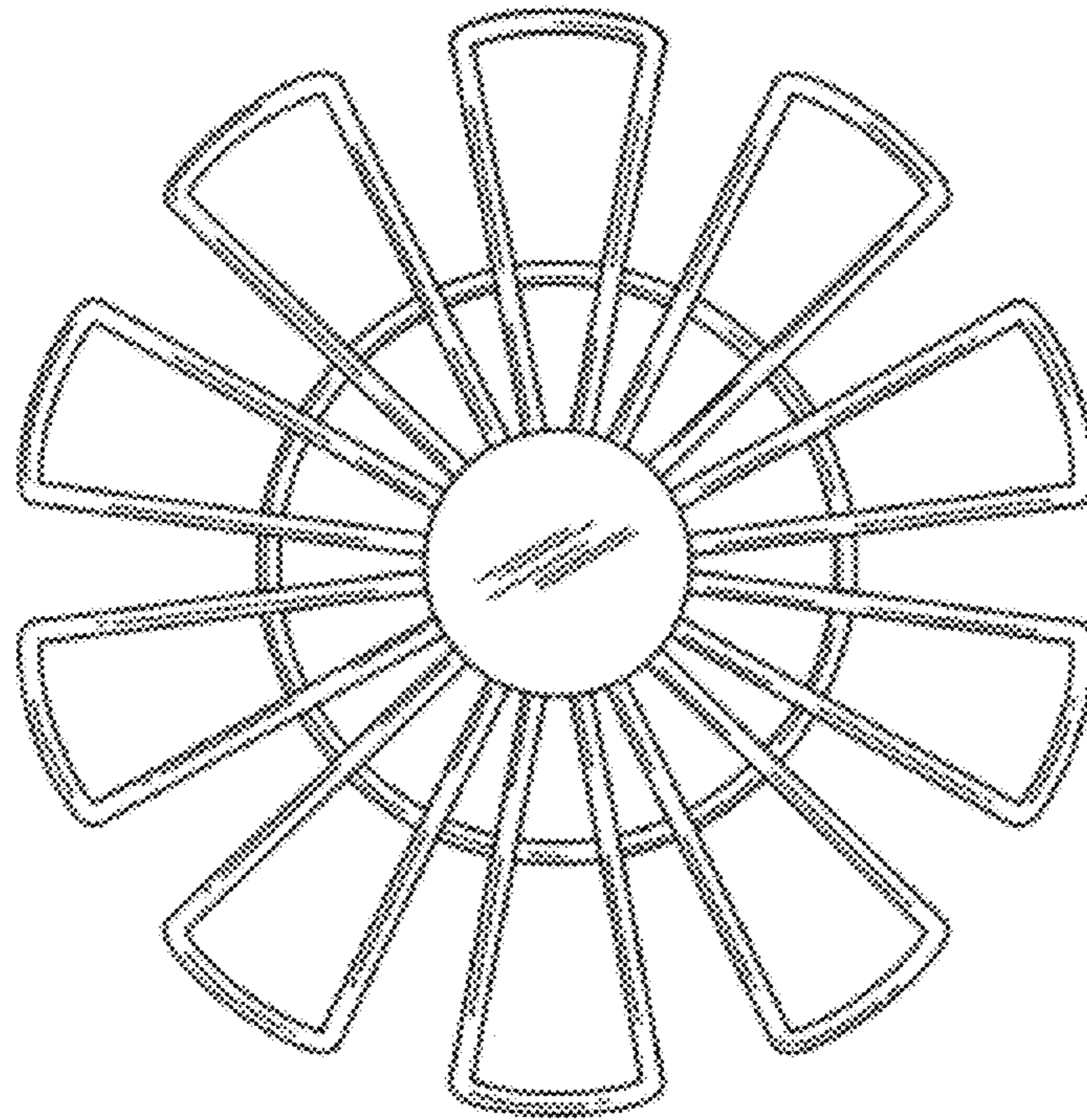


**FIG 7**

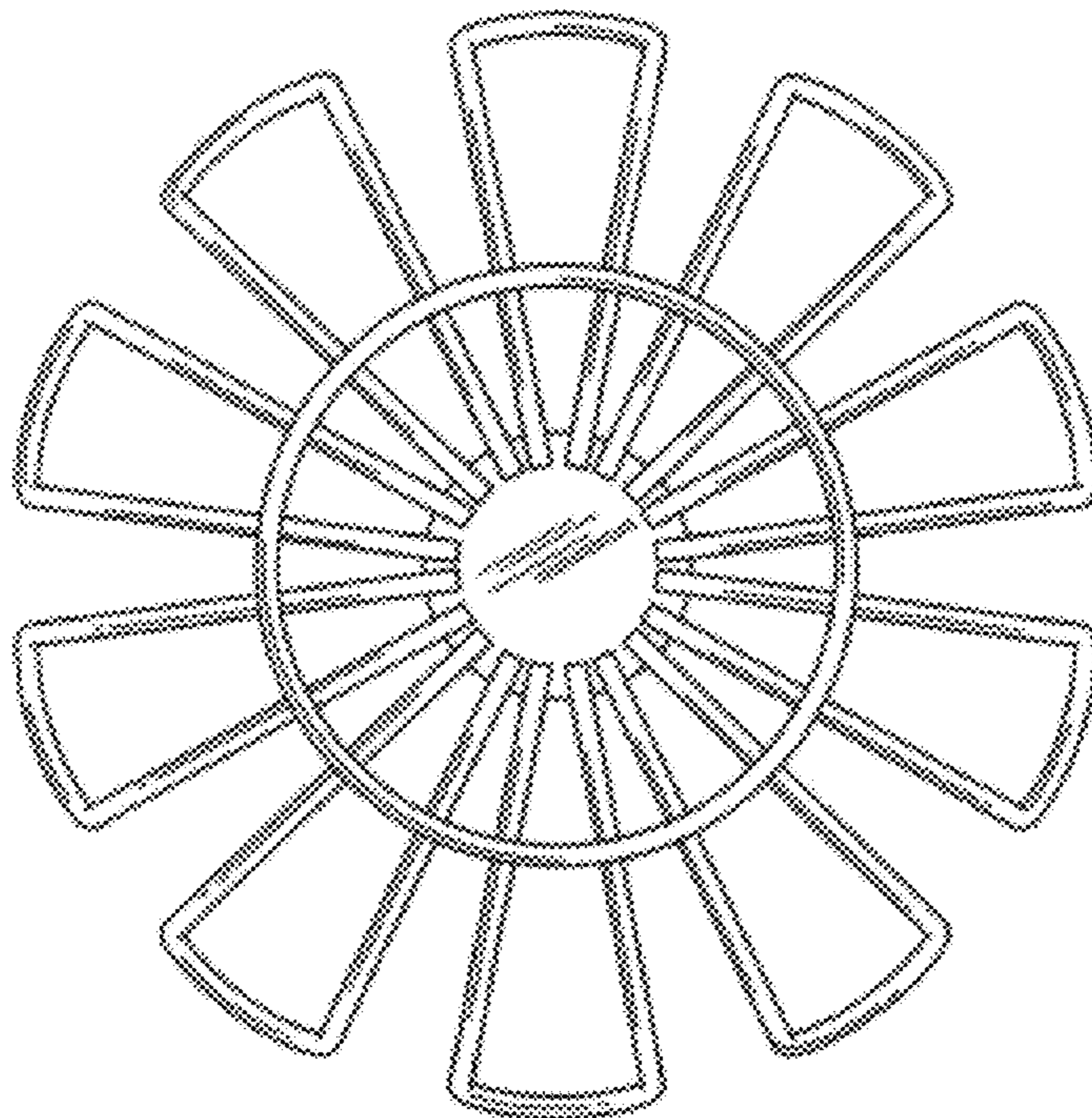


**FIG 8**





**FIG 9**



**FIG 10**