



US00D670969S

(12) **United States Design Patent**
Bengtson et al.

(10) **Patent No.:** **US D670,969 S**
(45) **Date of Patent:** **** Nov. 20, 2012**

- (54) **MANIFOLD**
- (75) Inventors: **Alan D. Bengtson**, Saint Joseph, MI (US); **Timothy T. Murphy**, Saint Joseph, MI (US)
- (73) Assignee: **Whirlpool Corporation**, Benton Harbor, MI (US)
- (**) Term: **14 Years**
- (21) Appl. No.: **29/333,181**
- (22) Filed: **Mar. 4, 2009**
- (51) **LOC (9) Cl.** **07-02**
- (52) **U.S. Cl.** **D7/406**
- (58) **Field of Classification Search** D7/344–349, D7/339–341, 402–403, 405, 406, 334; D6/370, D6/371, 396, 402, 418, 420, 491–492; D11/90; D32/1–3, 5–6, 8, 28; D13/162; D15/28, D15/79–91; D12/192; D99/28, 74; D26/76; 134/113, 201; 312/31, 295, 107–111, 236; 454/237; 34/58, 108, 130–132, 417, 499, 34/534, 595–597; 126/19 R, 39 B, 39 C, 126/39 R, 211–212, 214 R, 299 R, 42, 299 D, 126/39 E, 9 R; 219/391–392, 395; D23/370–372; 99/324–328; D3/318–323
See application file for complete search history.

- D373,860 S * 9/1996 Manke D32/3
- D397,909 S * 9/1998 Ashcraft et al. D7/405
- D399,390 S * 10/1998 Baldwin D7/405
- D412,233 S * 7/1999 Cajacob et al. D99/28
- D433,279 S * 11/2000 Schlosser et al. D7/402
- D472,422 S * 4/2003 Pai D7/334
- D495,981 S * 9/2004 Tolle et al. D12/192
- D496,121 S * 9/2004 Santoro D26/74
- D508,363 S * 8/2005 Chung D7/334
- D511,935 S * 11/2005 Briedis et al. D7/406
- D513,153 S * 12/2005 Austin et al. D7/406
- D513,684 S * 1/2006 Jackovin et al. D7/406
- D514,383 S * 2/2006 Vetter D7/406
- D518,493 S * 4/2006 Sato et al. D15/89
- D521,317 S * 5/2006 Hessen et al. D7/405
- D521,805 S * 5/2006 Hessen et al. D7/405
- D524,094 S * 7/2006 Home D7/340
- D530,048 S * 10/2006 Knochner D32/3
- D530,460 S * 10/2006 Knochner D32/3

(Continued)

Primary Examiner — T. Chase Nelson
Assistant Examiner — Mark Cavanna
(74) *Attorney, Agent, or Firm* — Jason S. Burnette; Barnes & Thornburg, LLP

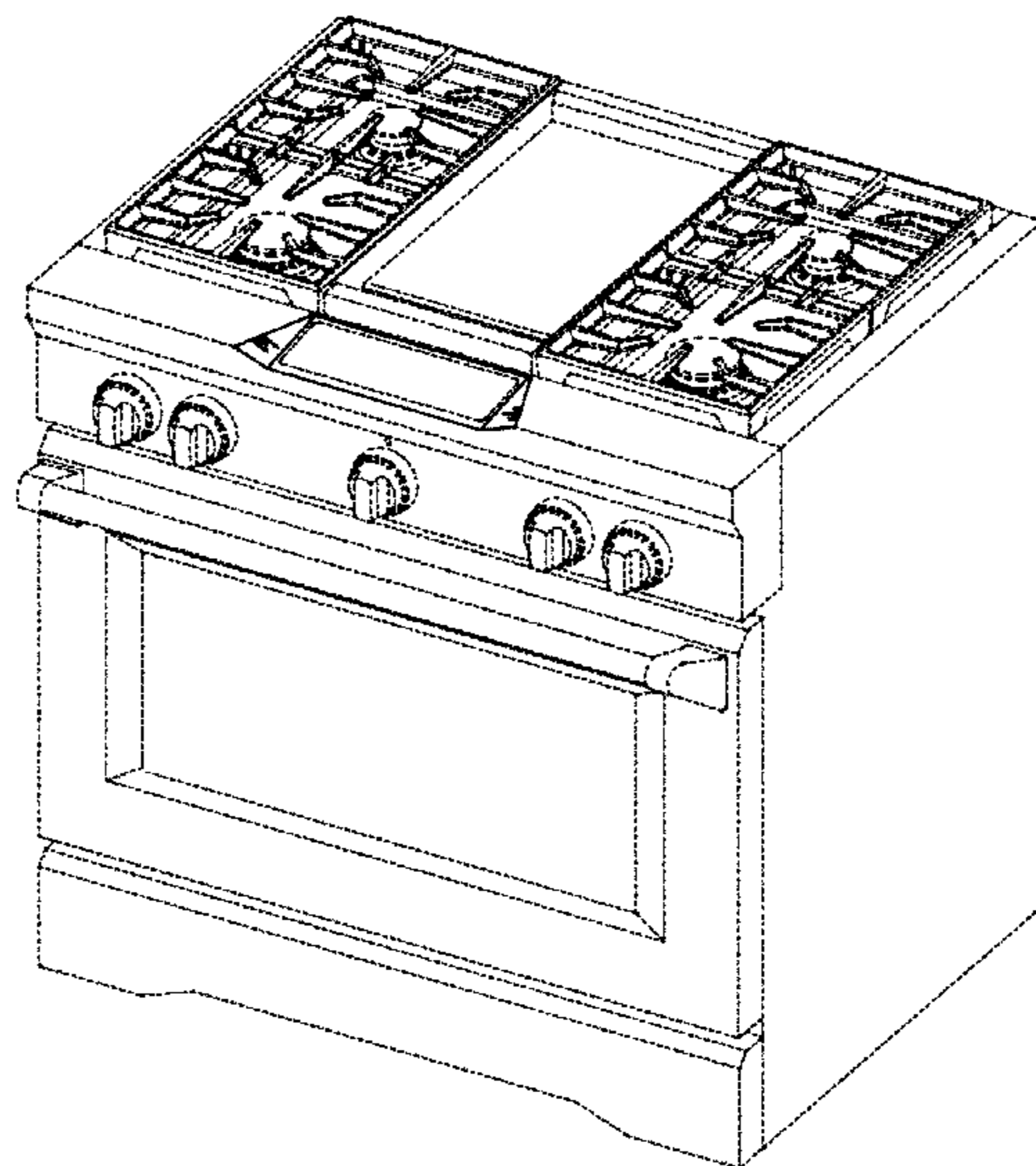
(57) **CLAIM**
We claim the ornamental design for a manifold, as shown and described.

DESCRIPTION

FIG. 1 is a front perspective view of a manifold showing our new design;
FIG. 2 is a front elevational view of the manifold of FIG. 1; and,
FIG. 3 is a top plan view of the manifold of FIG. 1.
The rear elevational, side elevational, and bottom plan views are not shown and form no part of the claimed design. The portion shown in broken lines is for illustrative purposes only and forms no part of the claimed design.

1 Claim, 3 Drawing Sheets

- (56) **References Cited**
- U.S. PATENT DOCUMENTS
- 3,527,200 A * 9/1970 Voeko et al. 126/42
- 3,556,624 A * 1/1971 Barone 312/295
- D277,448 S * 2/1985 Vetter et al. D7/346
- D277,449 S * 2/1985 Vetter et al. D7/346
- D335,746 S * 5/1993 North D99/28
- D351,084 S * 10/1994 Ivanovich D7/406
- D360,737 S * 7/1995 Helbig, Jr. D99/28
- D362,097 S * 9/1995 Brown D99/28
- D369,514 S * 5/1996 Baldwin D7/406



US D670,969 S

Page 2

U.S. PATENT DOCUMENTS

D533,691 S *	12/2006	Knochner	D32/3	D610,758 S *	2/2010	Yalcin et al.	D32/6
D535,139 S *	1/2007	Lutz	D7/334	D611,206 S *	3/2010	Yalcin et al.	D32/6
D546,121 S *	7/2007	Hessen et al.	D7/405	D619,385 S *	7/2010	Schultz	D6/370
D547,593 S *	7/2007	May	D7/334	D619,386 S *	7/2010	Schultz	D6/370
D549,513 S *	8/2007	Chung	D7/334	D619,846 S *	7/2010	Dunne et al.	D7/334
D577,472 S *	9/2008	Crookshanks	D32/28	D627,801 S *	11/2010	Berning et al.	D15/28
D596,982 S *	7/2009	Shah	D11/90	D636,217 S *	4/2011	Slater et al.	D7/334
D598,396 S *	8/2009	Lee	D13/162	D645,620 S *	9/2011	Ott	D32/3
D605,456 S *	12/2009	Bengtson et al.	D7/340	2008/0202493 A1 *	8/2008	Dettloff	126/39 B
D606,267 S *	12/2009	Shor	D32/6	2009/0260616 A1 *	10/2009	Brant et al.	126/299 D
D610,757 S *	2/2010	Yalcin et al.	D32/6					

* cited by examiner

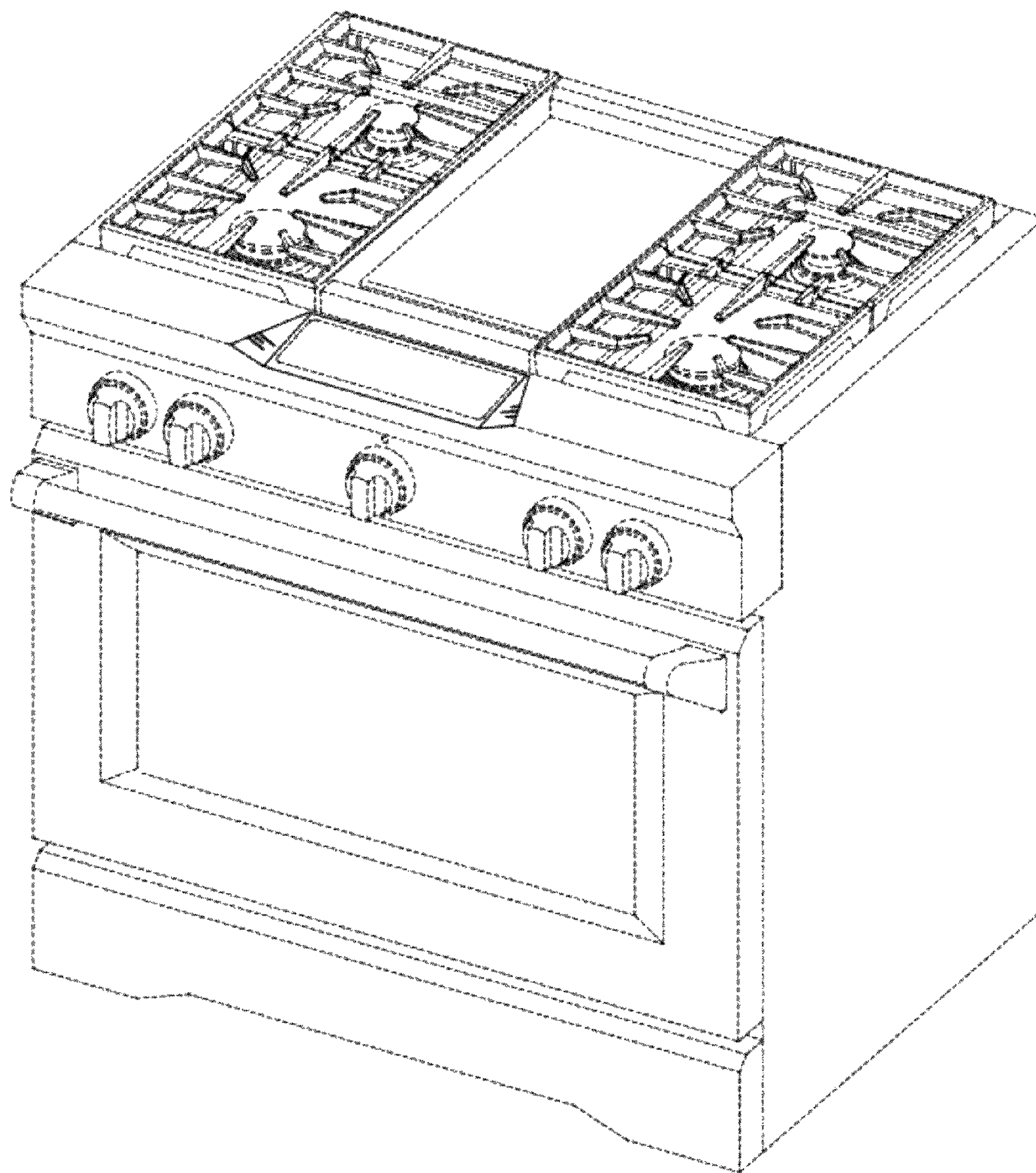


Fig. 1

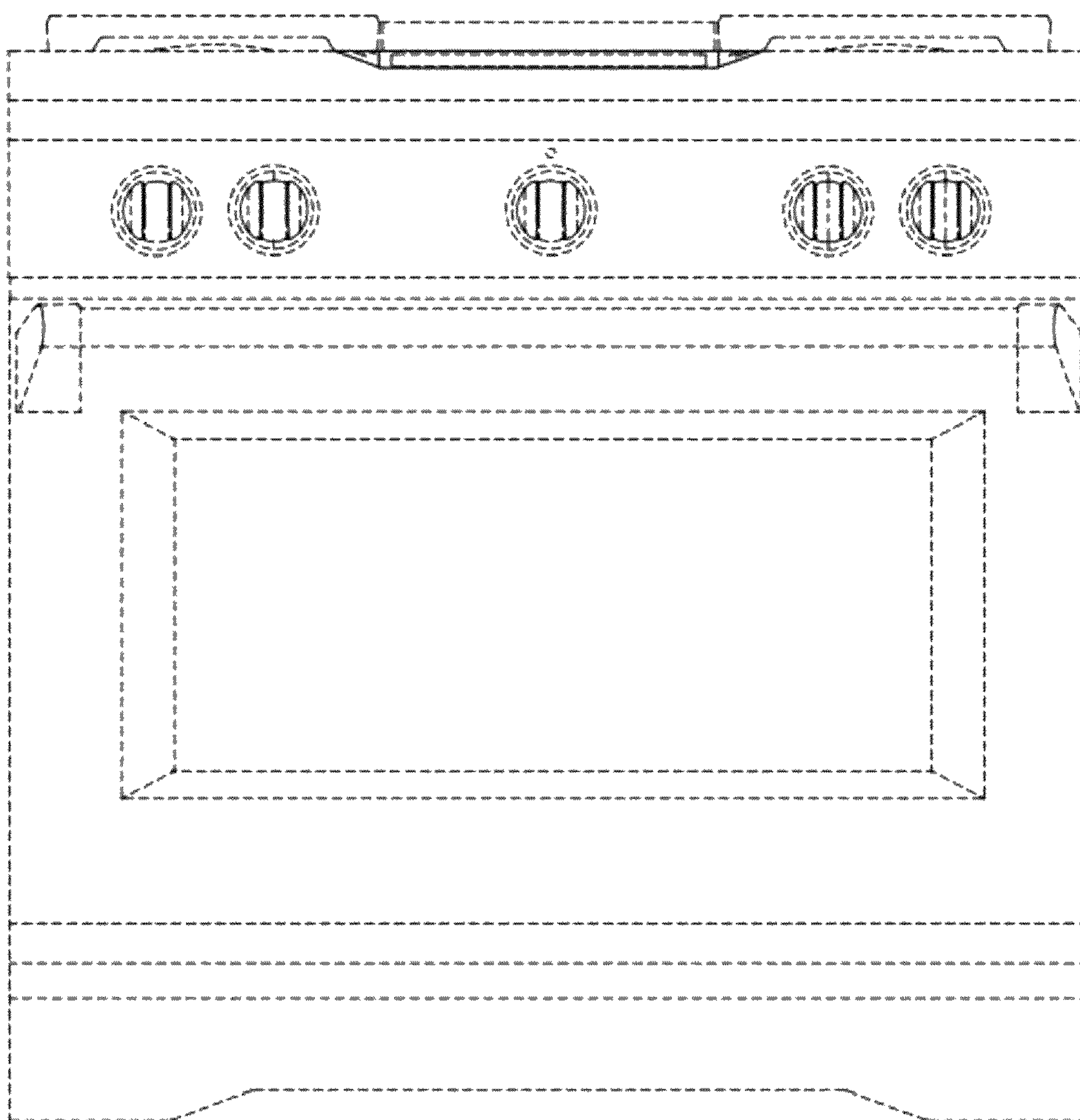


Fig. 2

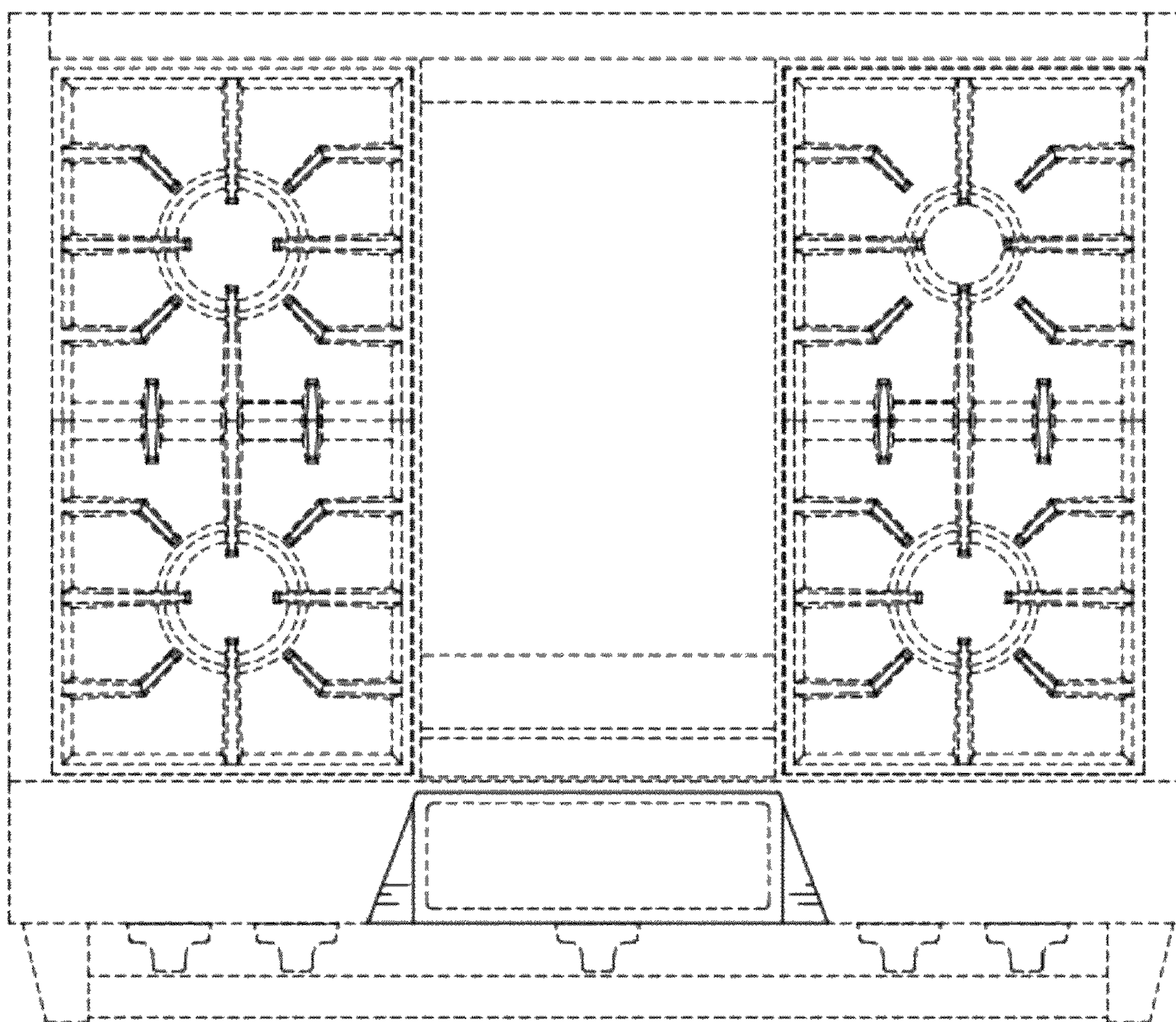


Fig. 3