



US00D670968S

(12) **United States Design Patent**
Maier

(10) **Patent No.:** **US D670,968 S**

(45) **Date of Patent:** **** Nov. 20, 2012**

(54) **POULTRY ROASTING RACK**

(76) Inventor: **Tim Maier**, Norco, CA (US)

(**) Term: **14 Years**

(21) Appl. No.: **29/416,735**

(22) Filed: **Mar. 26, 2012**

(51) **LOC (9) Cl.** **07-02**

(52) **U.S. Cl.** **D7/403**

(58) **Field of Classification Search** D6/462-463,
D6/513, 566, 323; D7/323, 329-332, 337,
D7/339, 346-347, 354-363, 387, 391, 393,
D7/395, 402, 408, 409, 411, 504; D19/90;
99/324-325, 331-332, 337-340, 345, 369,
99/403-419, 425-426, 446; 211/41.2, 57.1,
211/74, 85.4, 106, 181.1; 220/485, 491,
220/573.1-573.5, 759, 912

See application file for complete search history.

D343,549 S *	1/1994	Marshall, Jr.	D7/409
D363,000 S *	10/1995	Buff, IV	D7/323
5,575,198 A *	11/1996	Lowery	99/446
5,791,235 A	8/1998	Anselmo		
D496,221 S *	9/2004	Hester	D7/403
D535,855 S *	1/2007	Adams	D7/409
D556,508 S *	12/2007	Measom	D7/409
D558,521 S *	1/2008	Fouse	D7/409
7,565,863 B2 *	7/2009	Tschetter et al.	99/419
D612,693 S	3/2010	Accardo		
7,669,523 B1 *	3/2010	Zemel et al.	99/426
2006/0266227 A1	11/2006	Britt et al.		

* cited by examiner

Primary Examiner — T. Chase Nelson

Assistant Examiner — Mark Cavanna

(74) *Attorney, Agent, or Firm* — QuickPatents, Inc.; Kevin Prince

(57) **CLAIM**

I claim the ornamental design for a poultry roasting rack, as shown and described.

DESCRIPTION

FIG. 1 is a perspective view of a poultry roasting rack, showing my new design;

FIG. 2 is a rear elevational view thereof;

FIG. 3 is a front elevational view thereof;

FIG. 4 is a left-side elevational view thereof, the right-side elevational view being a mirror image thereof;

FIG. 5 is a top plan view thereof; and,

FIG. 6 is a bottom plan view thereof.

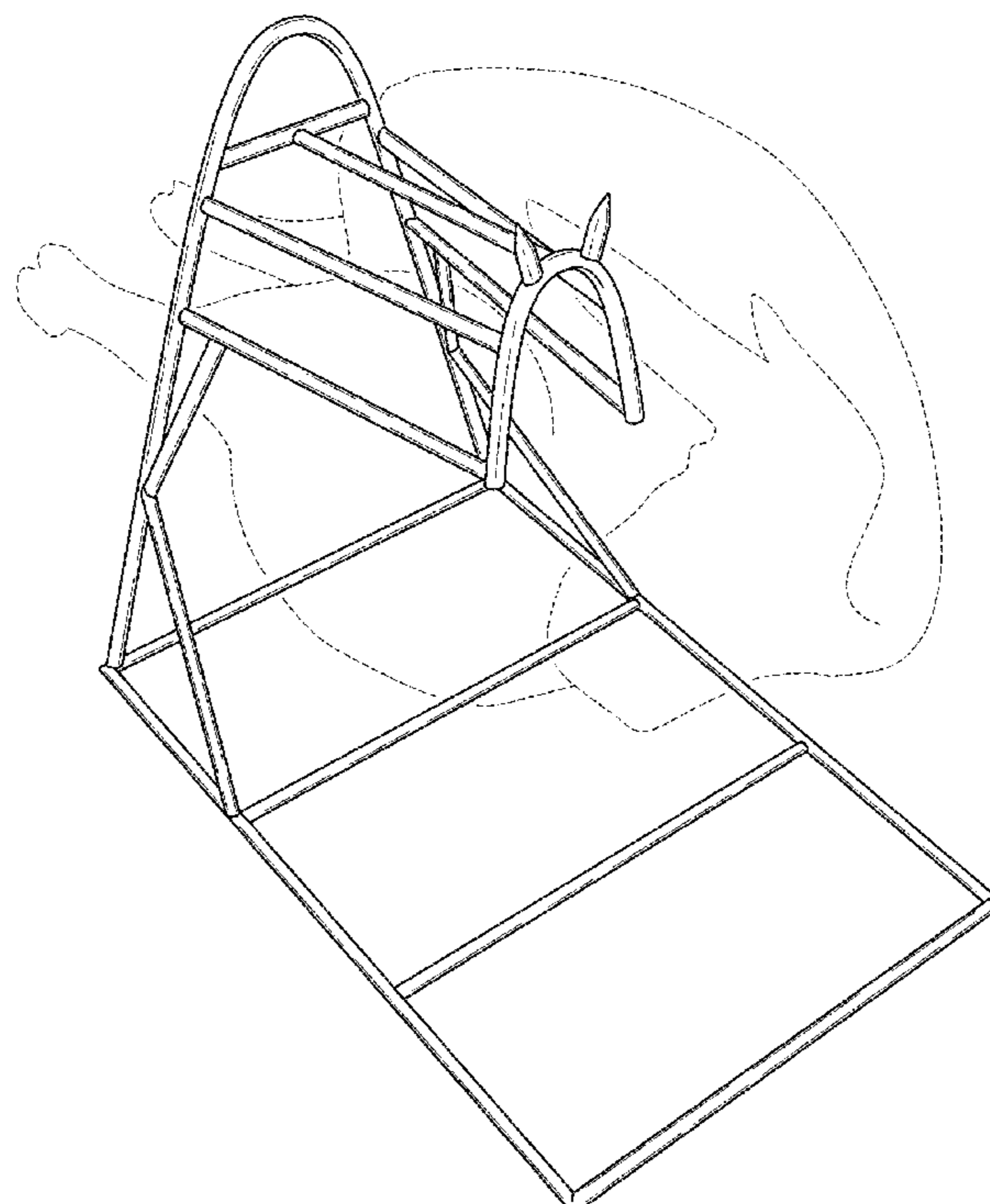
The broken lines showing a turkey in FIG. 1 depict environmental matter and form no part of the claimed design.

1 Claim, 4 Drawing Sheets

(56) **References Cited**

U.S. PATENT DOCUMENTS

849,290 A	4/1907	Vanderbilt	
D225,157 S	11/1972	Reld	
4,027,583 A	6/1977	Spanek et al.	
D253,156 S *	10/1979	Bengloff D7/409
4,458,585 A	7/1984	Erbach	
D280,065 S *	8/1985	Pierscinski D7/409
D286,498 S *	11/1986	Rosenkrantz D7/409
4,633,773 A *	1/1987	Jay 99/426
4,709,626 A *	12/1987	Hamlyn 99/345
5,069,117 A *	12/1991	Schlessel 99/425
5,106,642 A *	4/1992	Ciofalo 426/509
D337,023 S *	7/1993	Nielson et al. D7/402



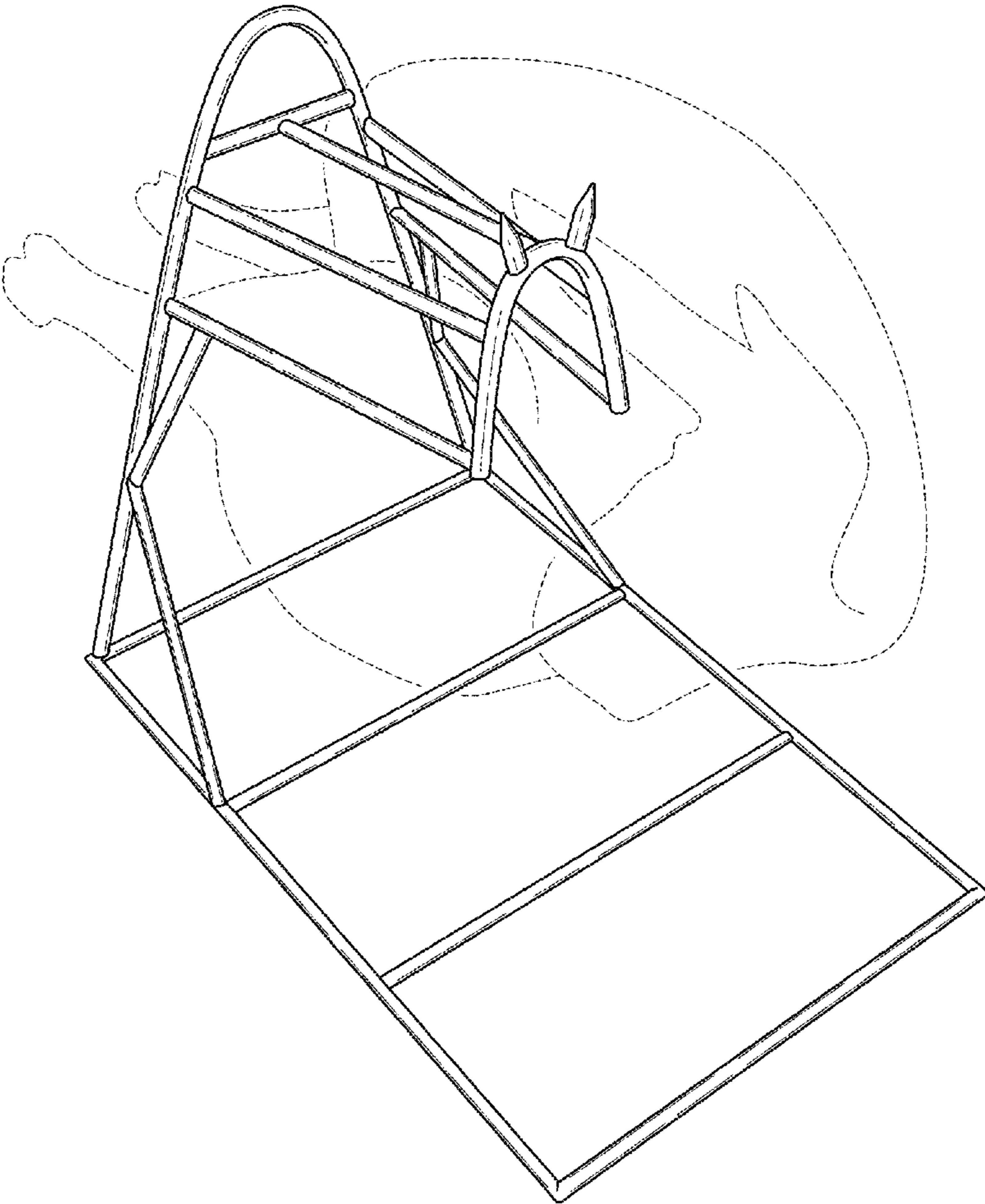


FIG. 1

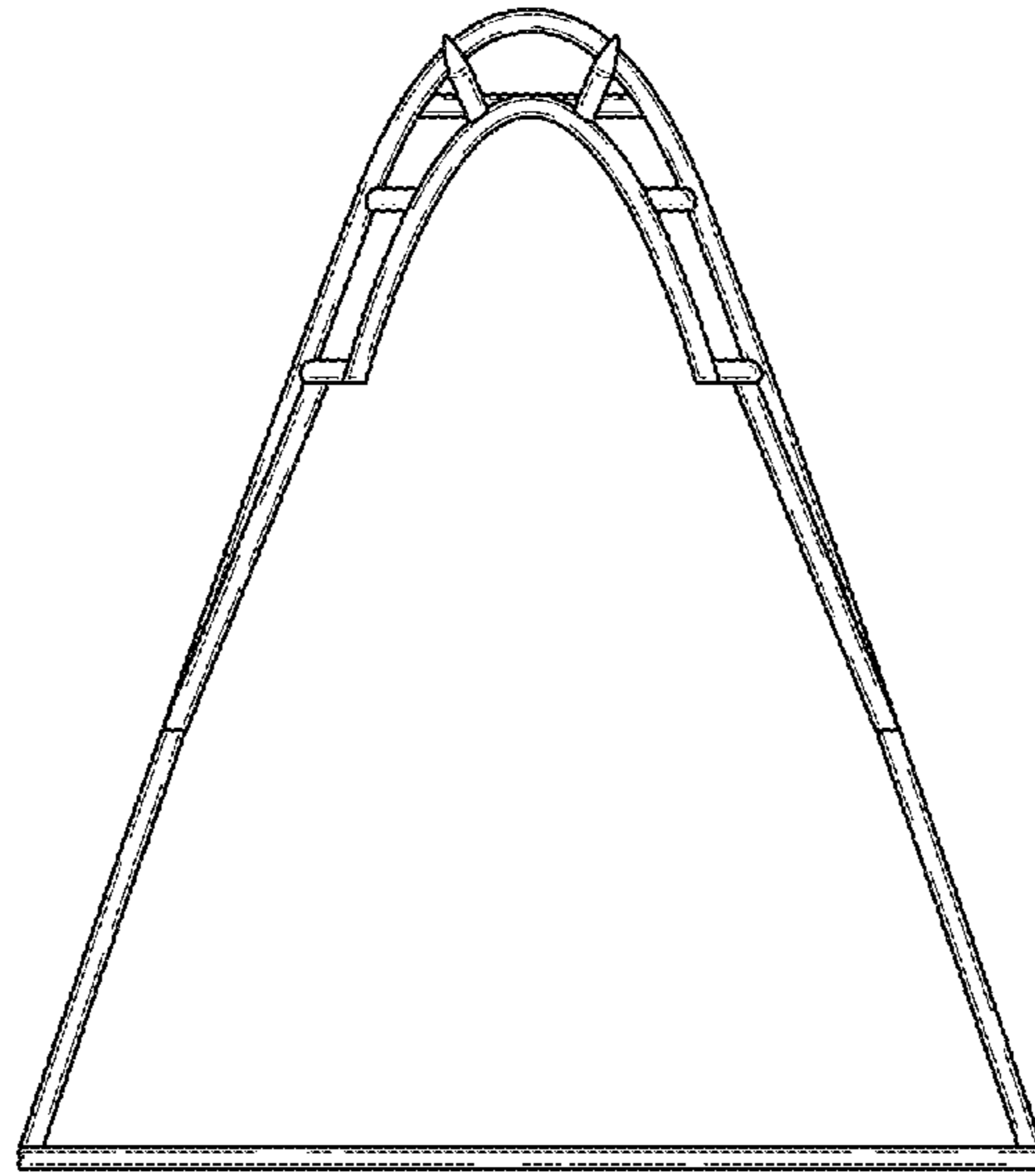


FIG. 2

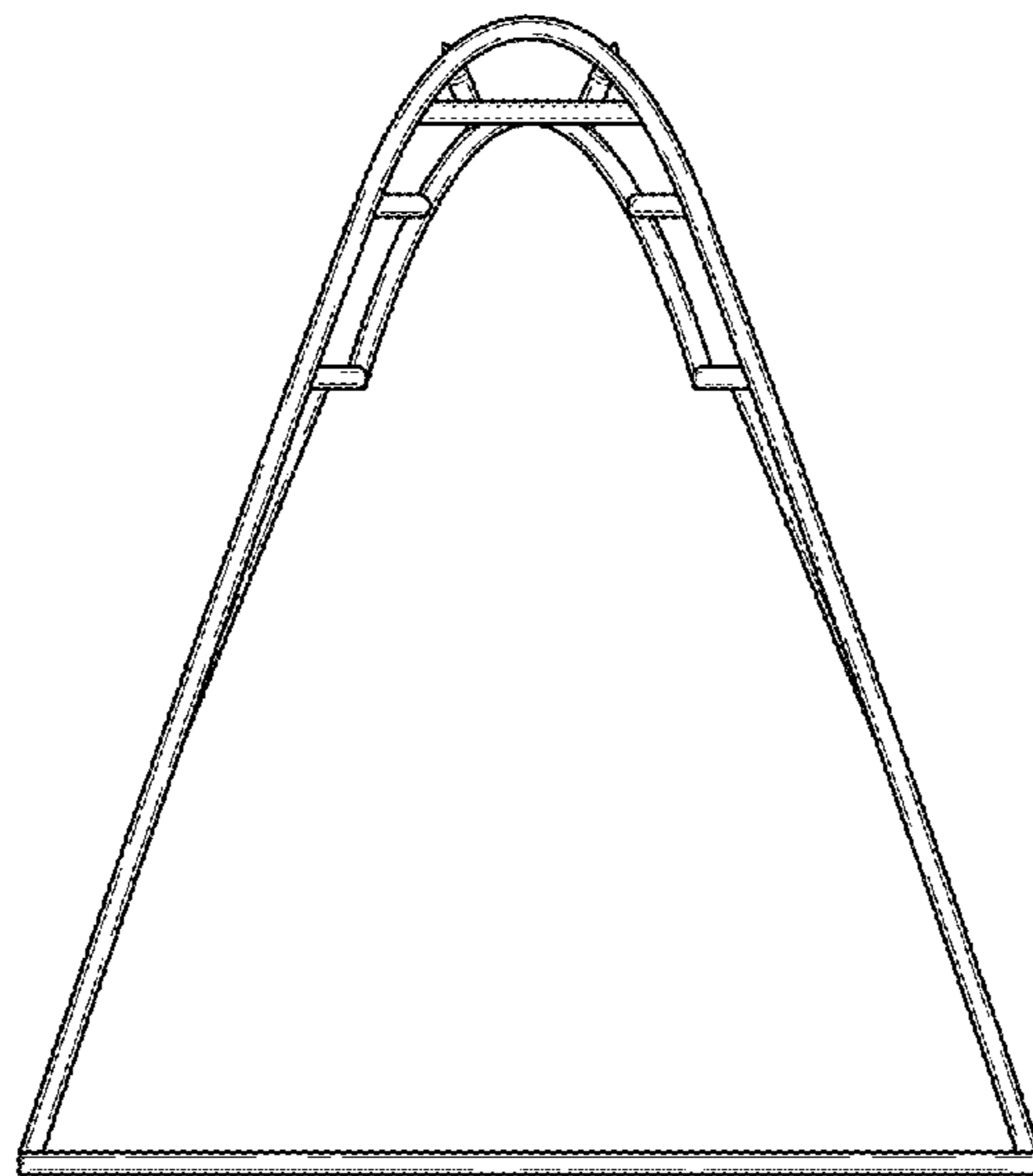


FIG. 3

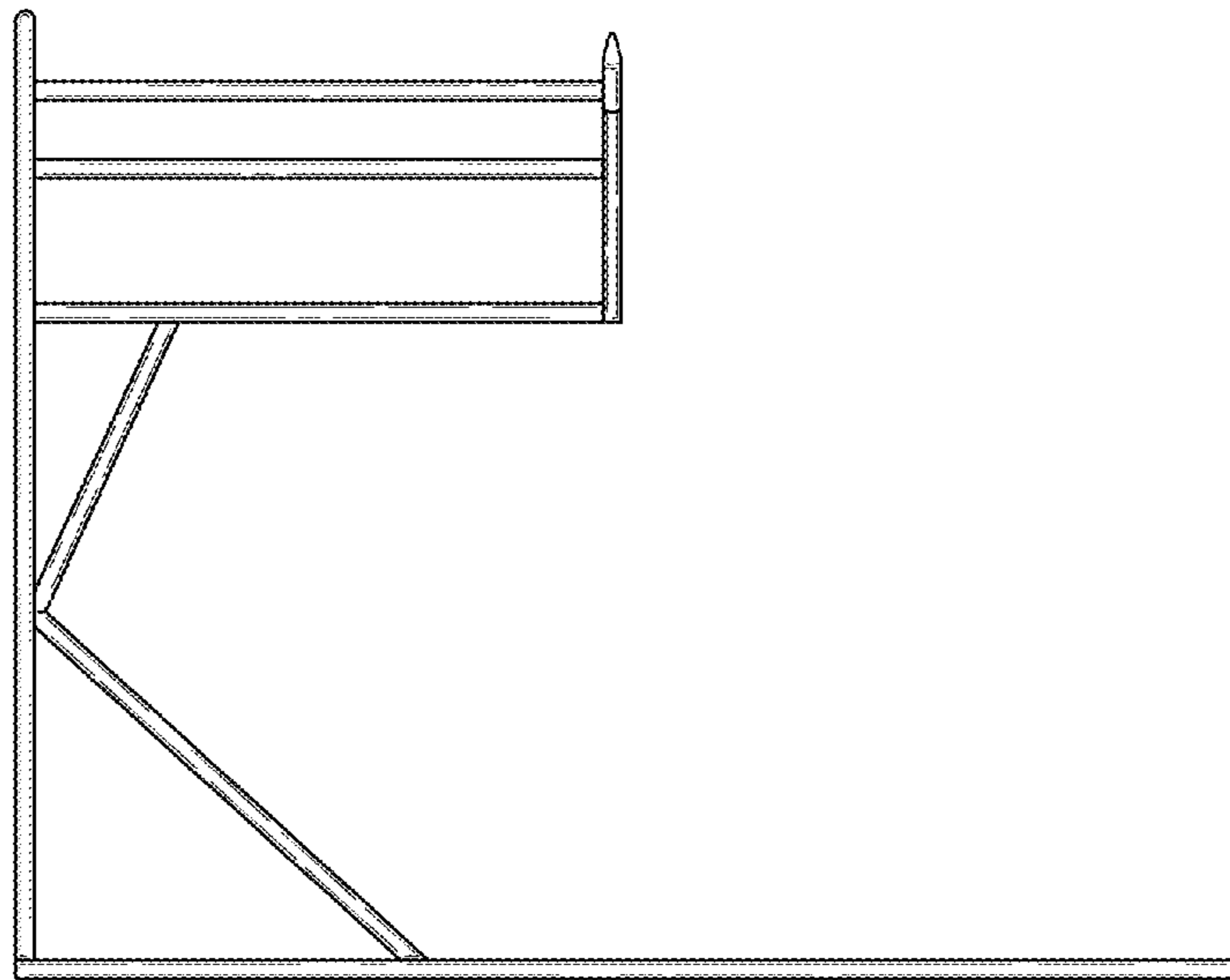


FIG. 4

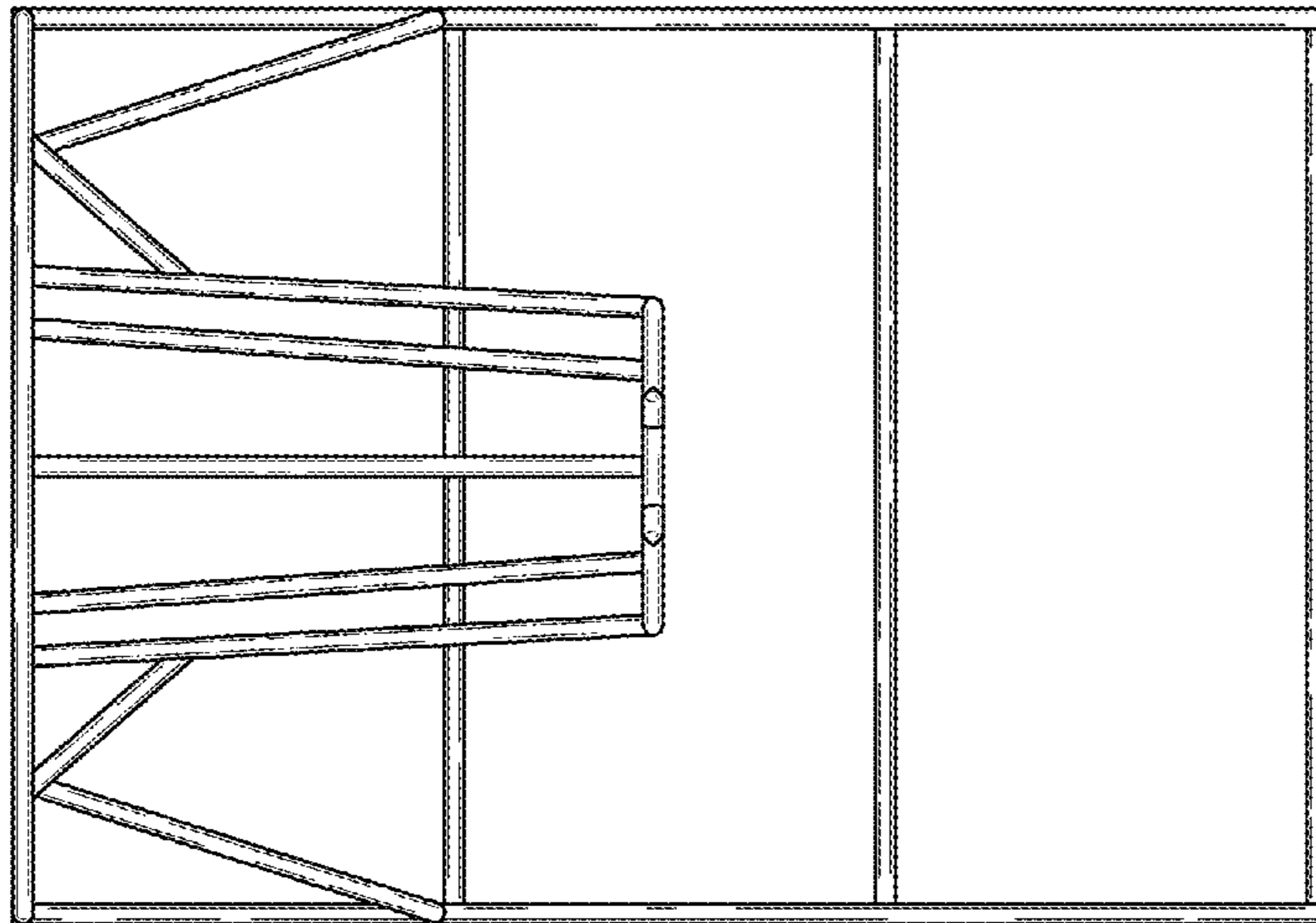


FIG. 5

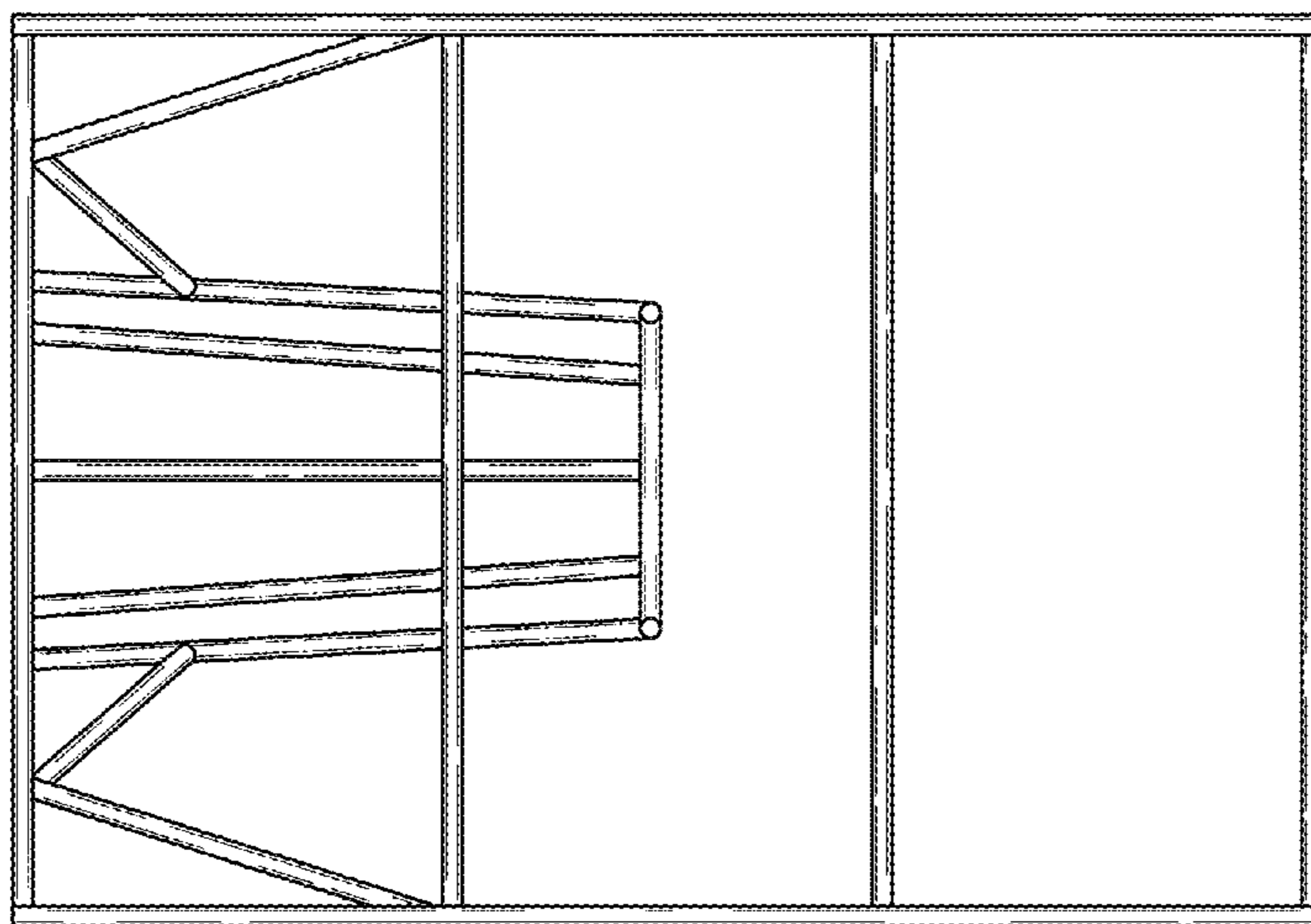


FIG. 6