



US00D670954S

(12) **United States Design Patent**  
**Huber et al.**

(10) **Patent No.:** **US D670,954 S**

(45) **Date of Patent:** **\*\* Nov. 20, 2012**

(54) **PIE MAKER**

(56) **References Cited**

(75) Inventors: **Thomas M. Huber**, Dover, DE (US);  
**Daniel D. Friel, Jr.**, Kennett Square, PA  
(US); **Daniel D. Friel, Sr.**, Greenville,  
DE (US); **Eckhard Siegler**, Lichtenstein  
(DE)

(73) Assignee: **Edgcraft Corporation**, Avondale, PA  
(US)

(\*\*) Term: **14 Years**

(21) Appl. No.: **29/415,052**

(22) Filed: **Mar. 7, 2012**

(51) **LOC (9) Cl.** ..... **07-02**

(52) **U.S. Cl.** ..... **D7/352; D7/362; D7/363**

(58) **Field of Classification Search** ..... D7/323,  
D7/329-331, 337, 339, 346-347, 350.1-350.4,  
D7/352-367, 391, 393, 395, 402, 409, 538,  
D7/542; 99/324-325, 331-332, 337-340,  
99/349, 369, 372, 377, 400-418, 422, 425,  
99/444-446, 483; 126/37 R, 261, 378.1;  
206/501-505, 507-508; 219/386, 400, 405,  
219/429-442, 450.1, 620-624, 725, 730-735;  
220/315, 573.1-573.5, 912; 426/438, 441

See application file for complete search history.

U.S. PATENT DOCUMENTS

D168,762 S *	2/1953	Polivka .....	D7/352
D175,547 S *	9/1955	Josephson .....	D7/352
D177,637 S *	5/1956	Moore .....	D7/352
D179,630 S *	2/1957	Ernest .....	D7/352
D195,801 S *	7/1963	Carpenter .....	D7/352
D367,994 S *	3/1996	Bloom et al. ....	D7/352
D439,796 S *	4/2001	Edwards et al. ....	D7/352
D451,754 S *	12/2001	Cousins et al. ....	D7/352
D466,361 S *	12/2002	Wanat et al. ....	D7/352
D502,630 S *	3/2005	Lubowicki .....	D7/352
D522,798 S *	6/2006	Wilgus .....	D7/337

\* cited by examiner

*Primary Examiner* — Ricky Pham

(74) *Attorney, Agent, or Firm* — Connolly Bove Lodge & Hutz LLP

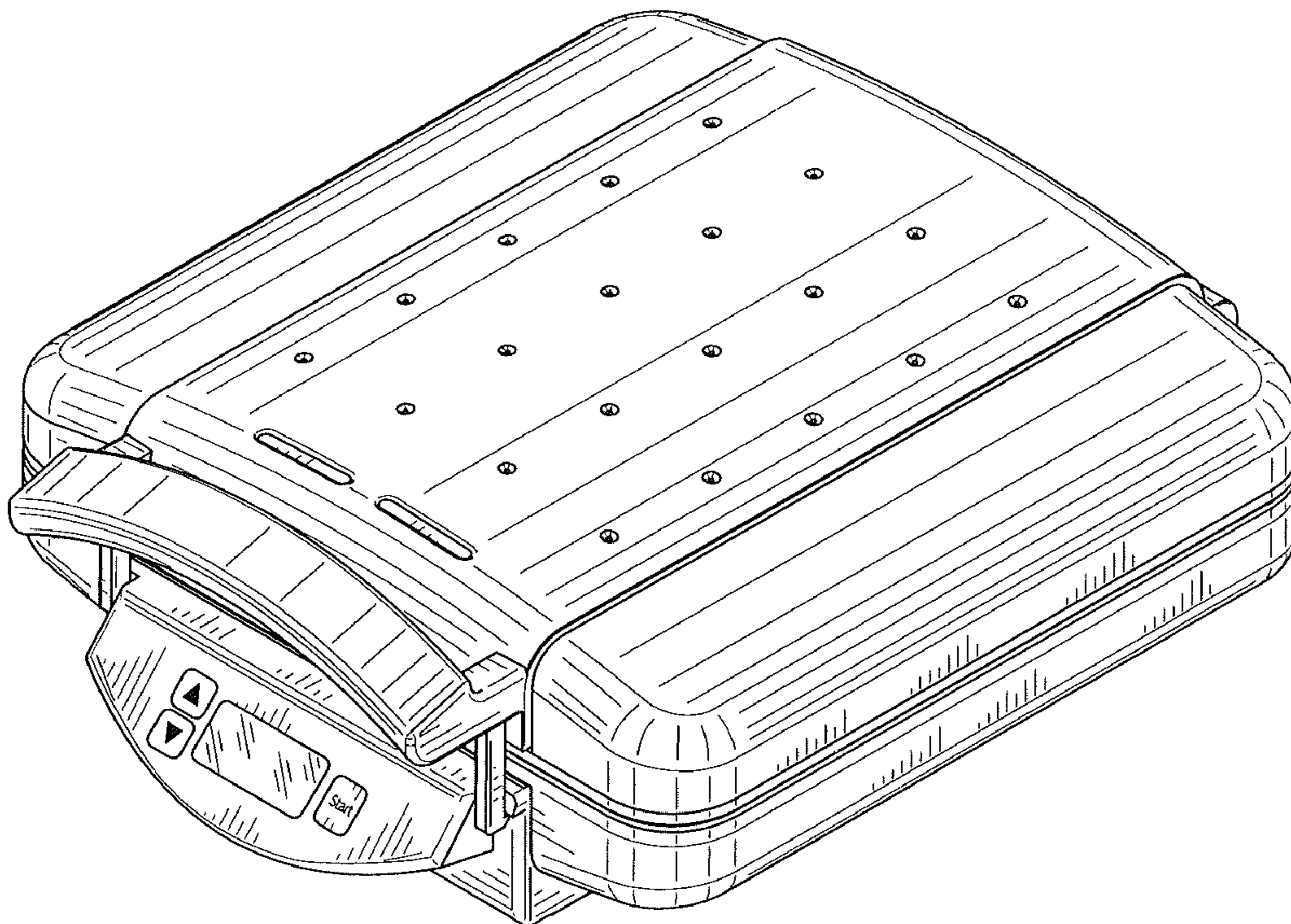
(57) **CLAIM**

The ornamental design for a pie maker, as shown and described.

**DESCRIPTION**

FIG. 1 is a perspective view of a pie maker showing our new design;  
FIG. 2 is a front elevational view thereof;  
FIG. 3 is a rear elevational view thereof;  
FIG. 4 is a left side elevational view thereof;  
FIG. 5 is a right side elevational view thereof;  
FIG. 6 is a top plan view thereof; and,  
FIG. 7 is a bottom plan view thereof.

**1 Claim, 7 Drawing Sheets**



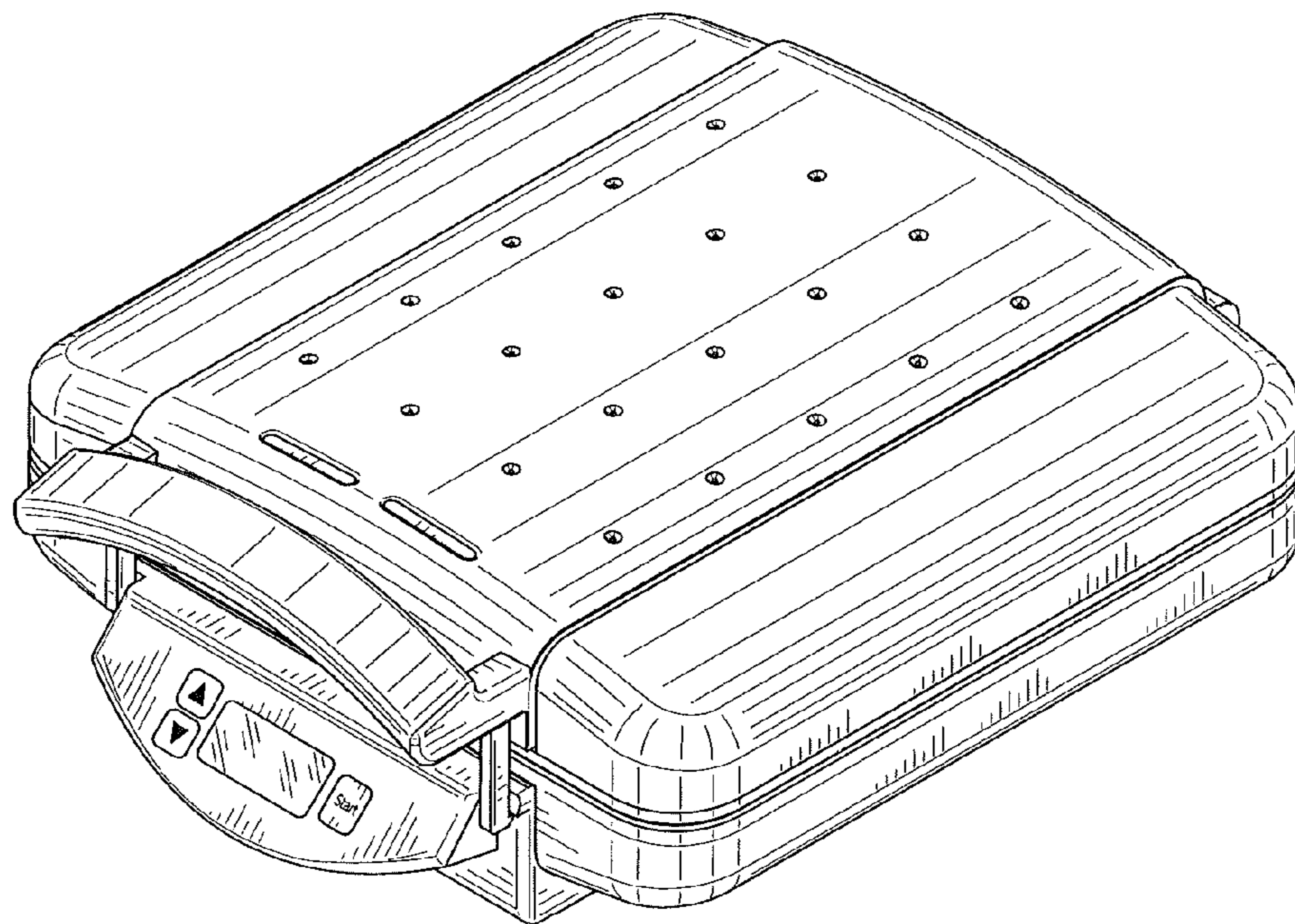


FIG. 1

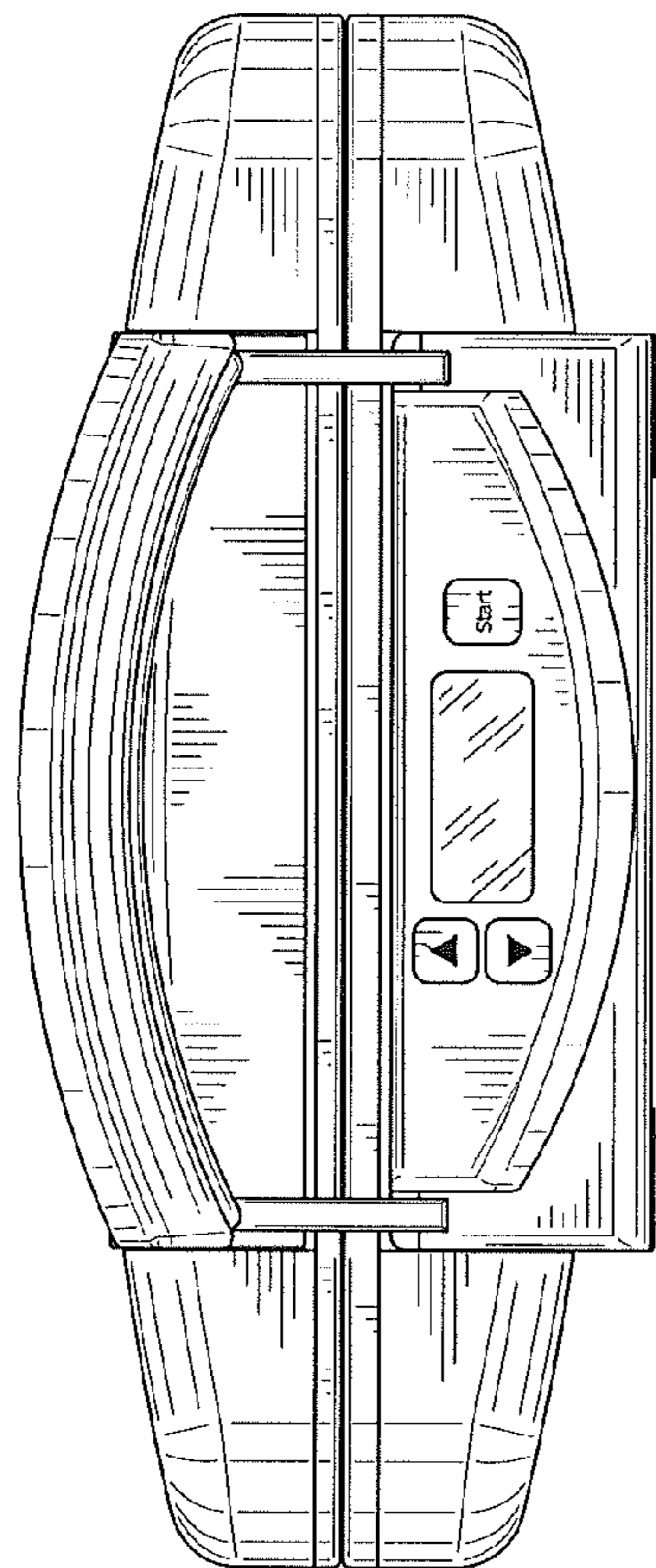


FIG. 2

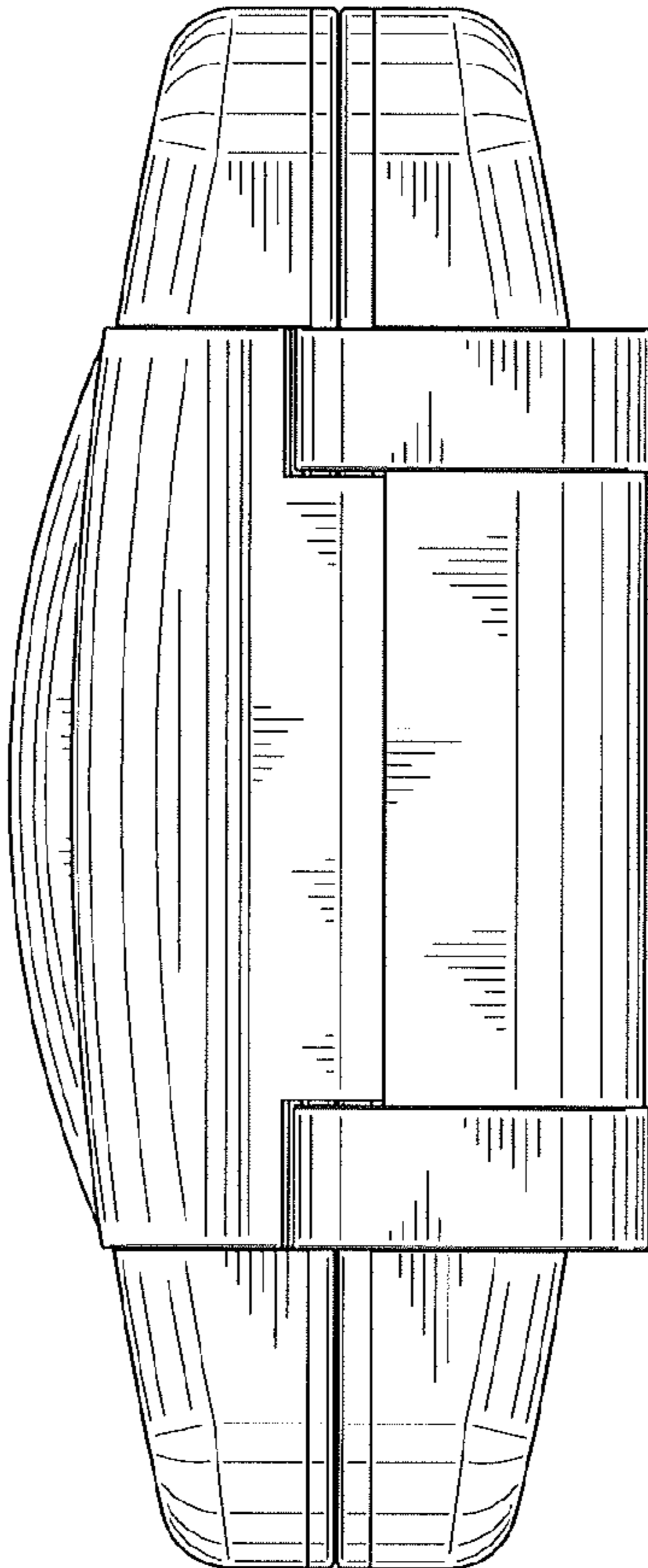


FIG. 3



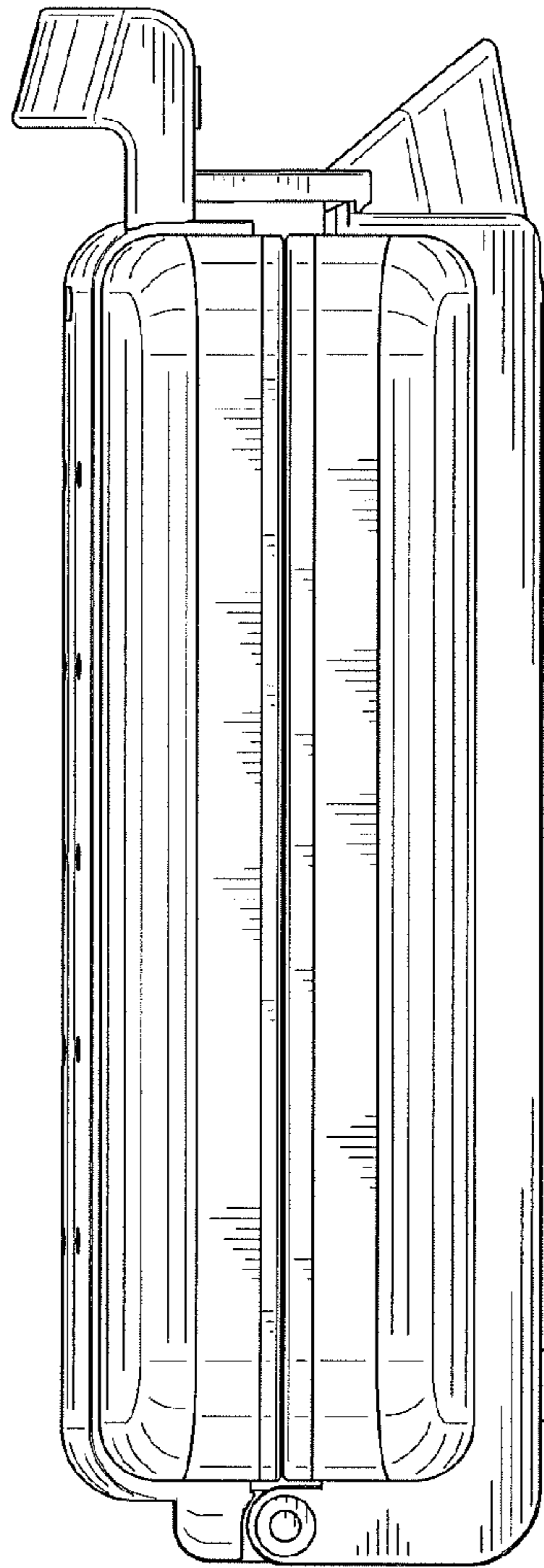


FIG. 4

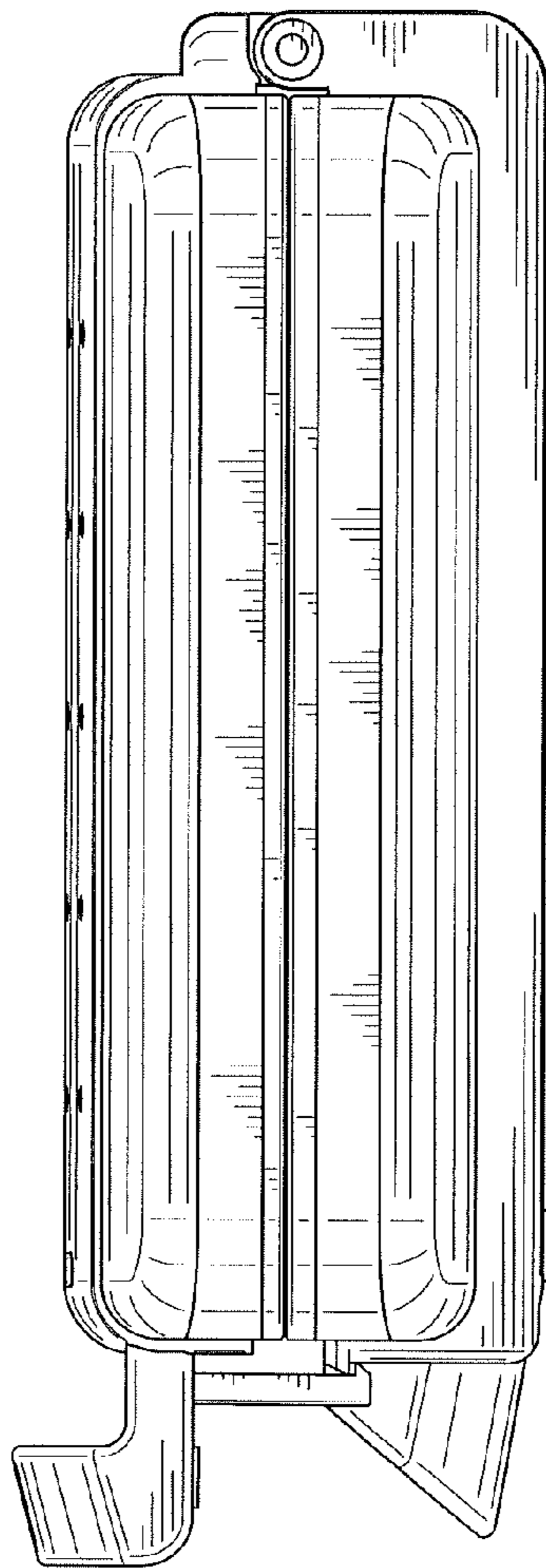


FIG. 5

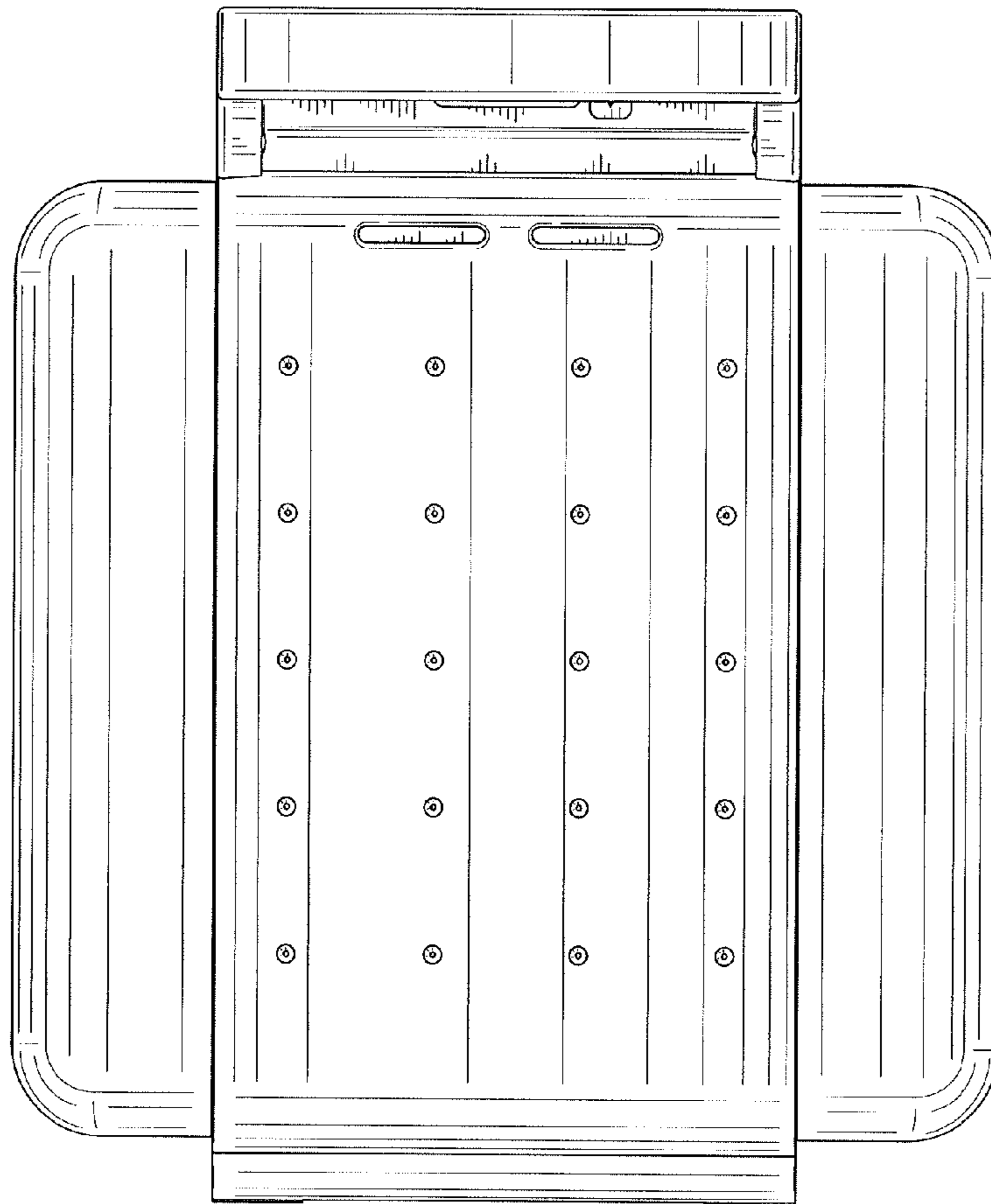


FIG. 6

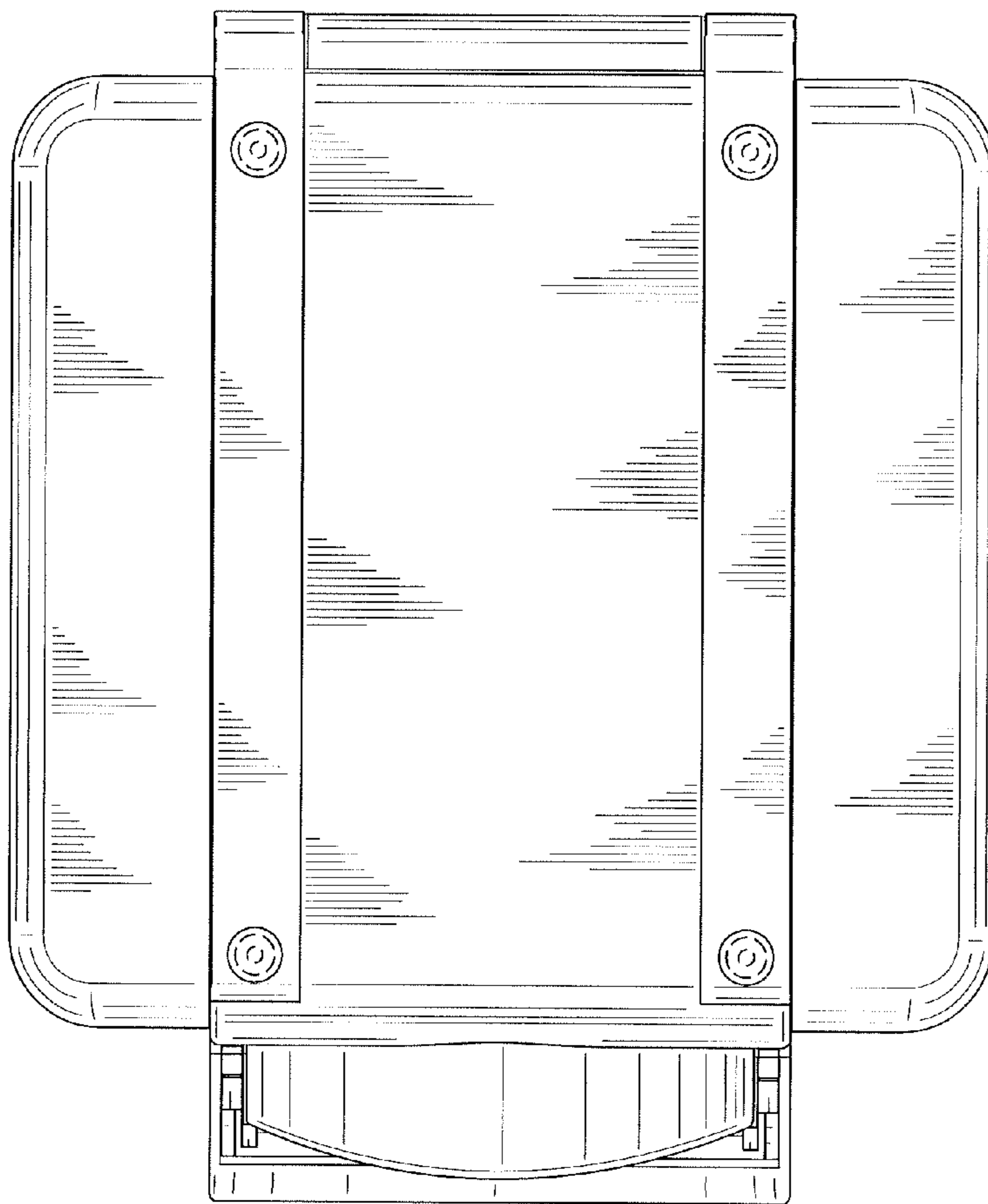


FIG. 7