



US00D670947S

(12) **United States Design Patent**
Williamson

(10) **Patent No.:** **US D670,947 S**

(45) **Date of Patent:** **** Nov. 20, 2012**

(54) **SURGERY RECOVERY PILLOW**

(76) Inventor: **Jane Williamson**, Fort Worth, TX (US)

(**) Term: **14 Years**

(21) Appl. No.: **29/410,404**

(22) Filed: **Jan. 6, 2012**

(51) **LOC (9) Cl.** **06-09**

(52) **U.S. Cl.** **D6/601**

(58) **Field of Classification Search** D6/595,

D6/596, 597, 601; 5/630, 636, 637, 648,

5/652, 653, 655.3, 656, 907

See application file for complete search history.

D479,425 S	9/2003	Emoff	
6,640,368 B2 *	11/2003	Roston	5/648
D516,854 S	3/2006	Emoff	
7,194,778 B2	3/2007	Riach	
7,426,762 B2	9/2008	Dazzi	
D628,298 S	11/2010	Rubio	
D634,960 S	3/2011	Anson	

* cited by examiner

Primary Examiner — Janice Seeger

(74) *Attorney, Agent, or Firm* — QuickPatents, Inc.; Kevin Prince

(57) **CLAIM**

I claim the ornamental design for a surgery recovery pillow, as shown and described.

DESCRIPTION

FIG. 1 is a perspective view of a surgery recovery pillow, showing my new design;

FIG. 2 is a front elevational view thereof, the rear elevational view being a mirror image thereof;

FIG. 3 is a top plan view thereof;

FIG. 4 is a bottom plan view thereof; and,

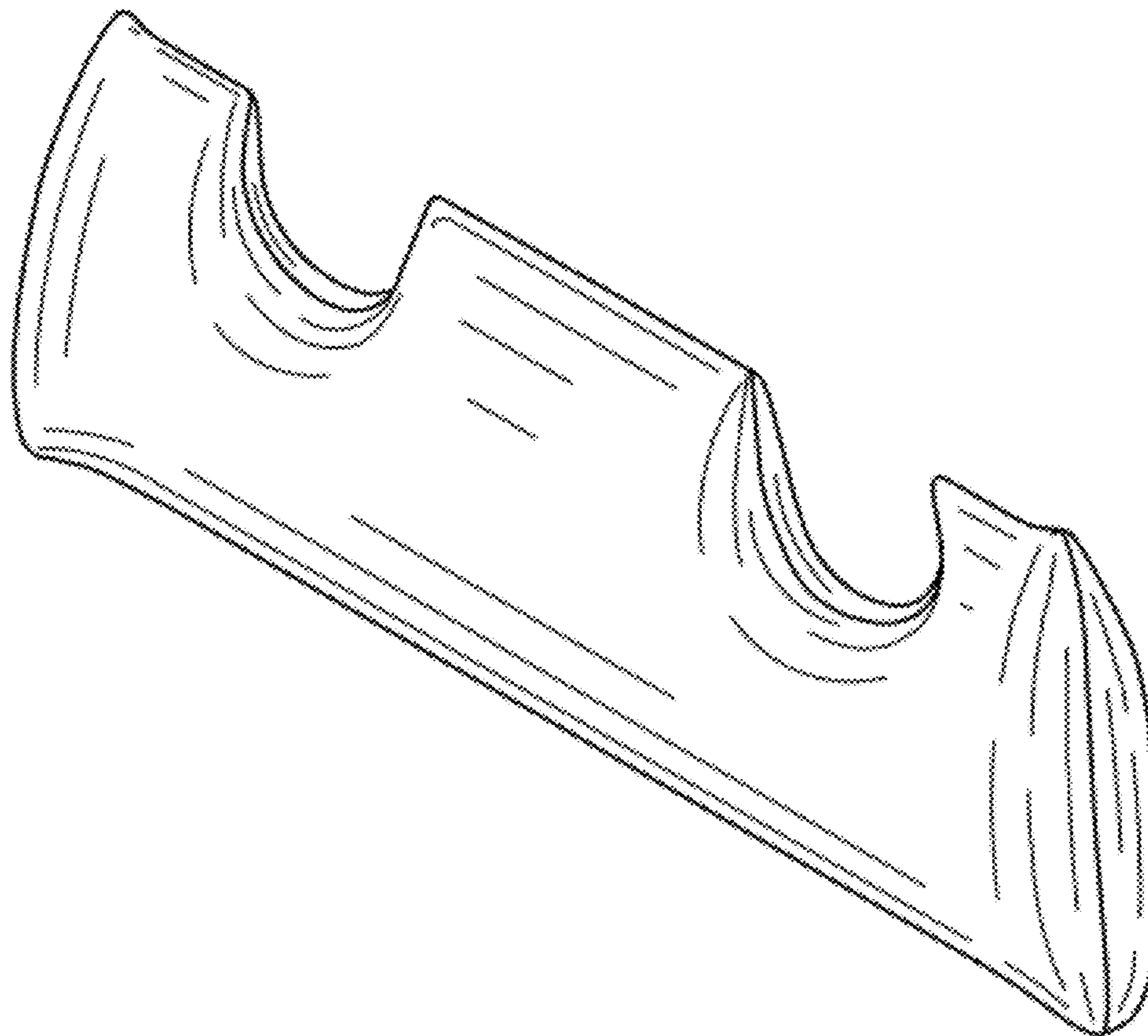
FIG. 5 is a left-side elevational view thereof, the right-side elevational view being a mirror image thereof.

1 Claim, 2 Drawing Sheets

(56) **References Cited**

U.S. PATENT DOCUMENTS

D109,060 S	3/1938	Henfield	
2,295,906 A	9/1942	Lacour	
D318,203 S	7/1991	Zaghini	
D318,923 S	8/1991	Marsh	
D319,700 S *	9/1991	Michelson	D24/183
D383,637 S	9/1997	Musco	
D412,082 S	7/1999	Goodrich	
6,095,894 A	8/2000	Stevens	
6,185,768 B1	2/2001	Schlechter	
6,564,407 B1 *	5/2003	Luu et al.	5/654



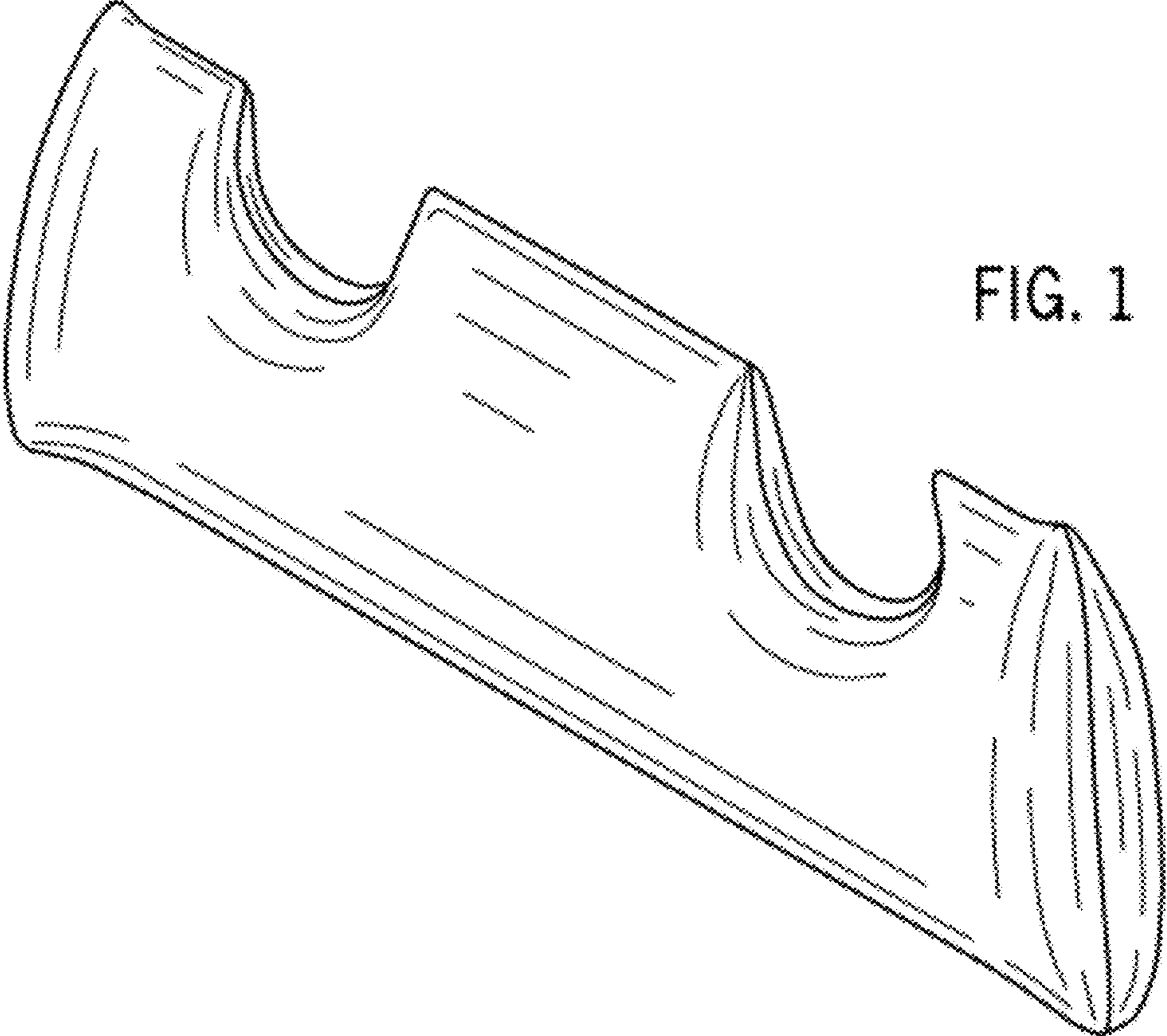


FIG. 1

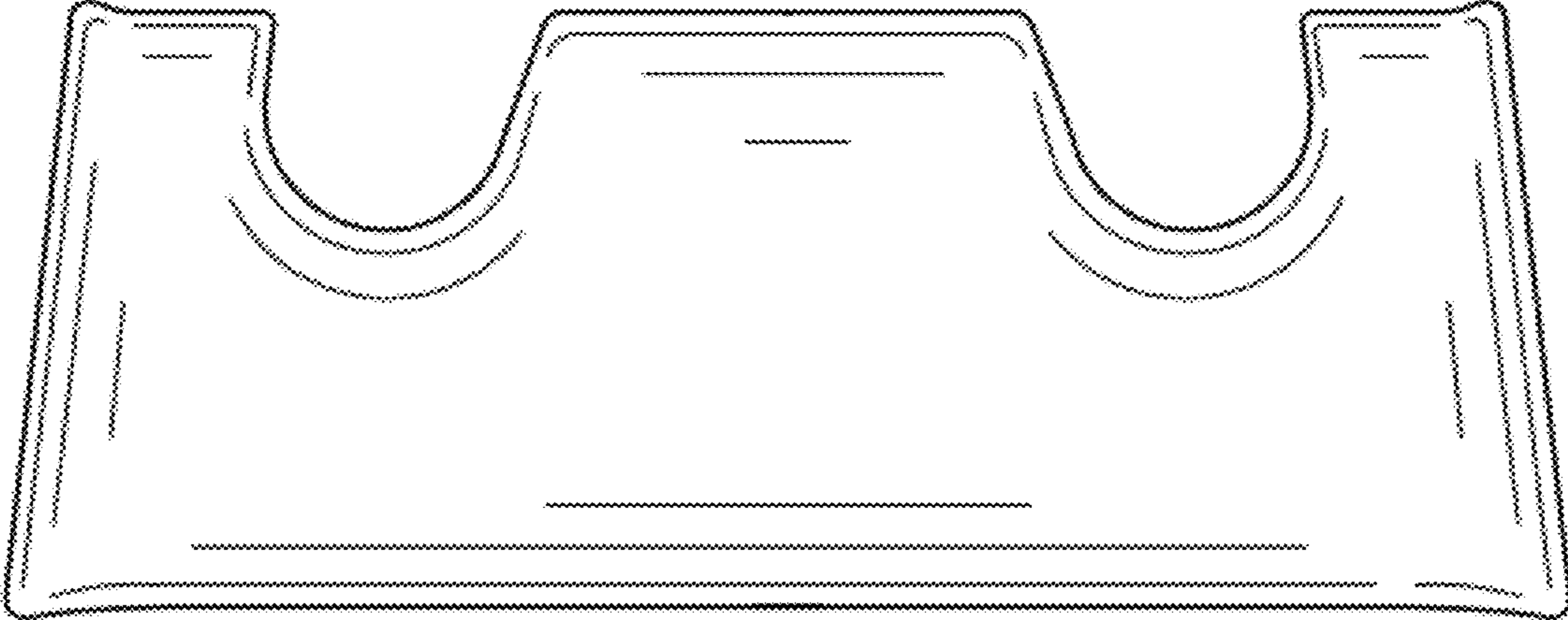


FIG. 2



FIG. 3

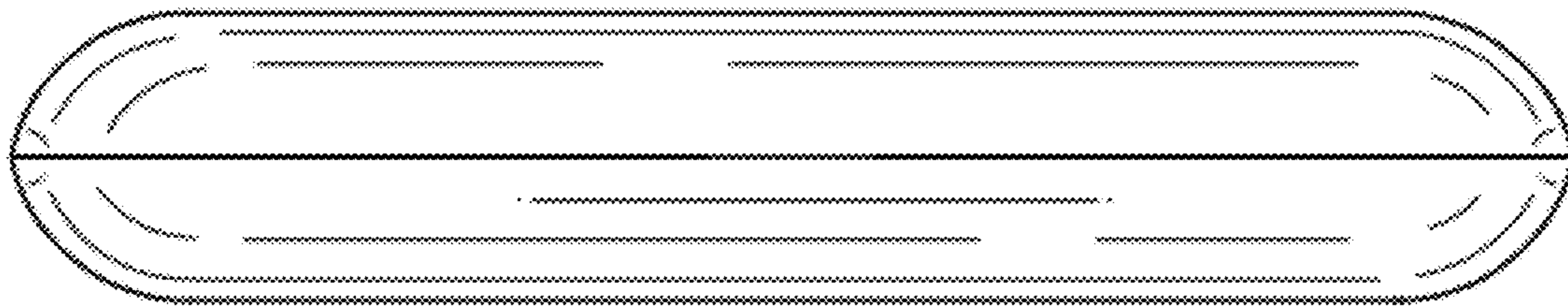


FIG. 4

FIG. 5

