



US00D670946S

(12) **United States Design Patent**  
**Ng**

(10) **Patent No.:** **US D670,946 S**

(45) **Date of Patent:** **\*\* Nov. 20, 2012**

(54) **SLIM BOTTOM BAR FOR USE WITH A ROLLER BLIND**

(76) Inventor: **Philip Ng**, Thornhill (CA)

(\*\*) Term: **14 Years**

(21) Appl. No.: **29/422,332**

(22) Filed: **May 18, 2012**

(51) **LOC (9) Cl.** ..... **06-10**

(52) **U.S. Cl.** ..... **D6/580**

(58) **Field of Classification Search** ..... D6/575,  
D6/576, 577, 580; D8/377; D25/119; 160/38,  
160/39, 168 R

See application file for complete search history.

(56) **References Cited**

U.S. PATENT DOCUMENTS

D595,984 S *	7/2009	Kollman et al.	.....	D6/580
D633,742 S *	3/2011	Ng	.....	D6/580
D638,645 S *	5/2011	Barnes et al.	.....	D6/580
D639,098 S *	6/2011	Bosgoed	.....	D6/580
D661,533 S *	6/2012	Bennett et al.	.....	D6/580

\* cited by examiner

*Primary Examiner* — Susan Bennett Hattan

*Assistant Examiner* — Barbara B Lohr

(74) *Attorney, Agent, or Firm* — Elias Borges

(57) **CLAIM**

The ornamental design for a slim bottom bar for use with a roller blind, as shown and described.

**DESCRIPTION**

FIG. 1 is a perspective view of the slim bottom bar for use with a roller blind.

FIG. 2 is left side view of the slim bottom bar for use with a roller blind.

FIG. 3 is a right side view of the slim bottom bar for use with a roller blind.

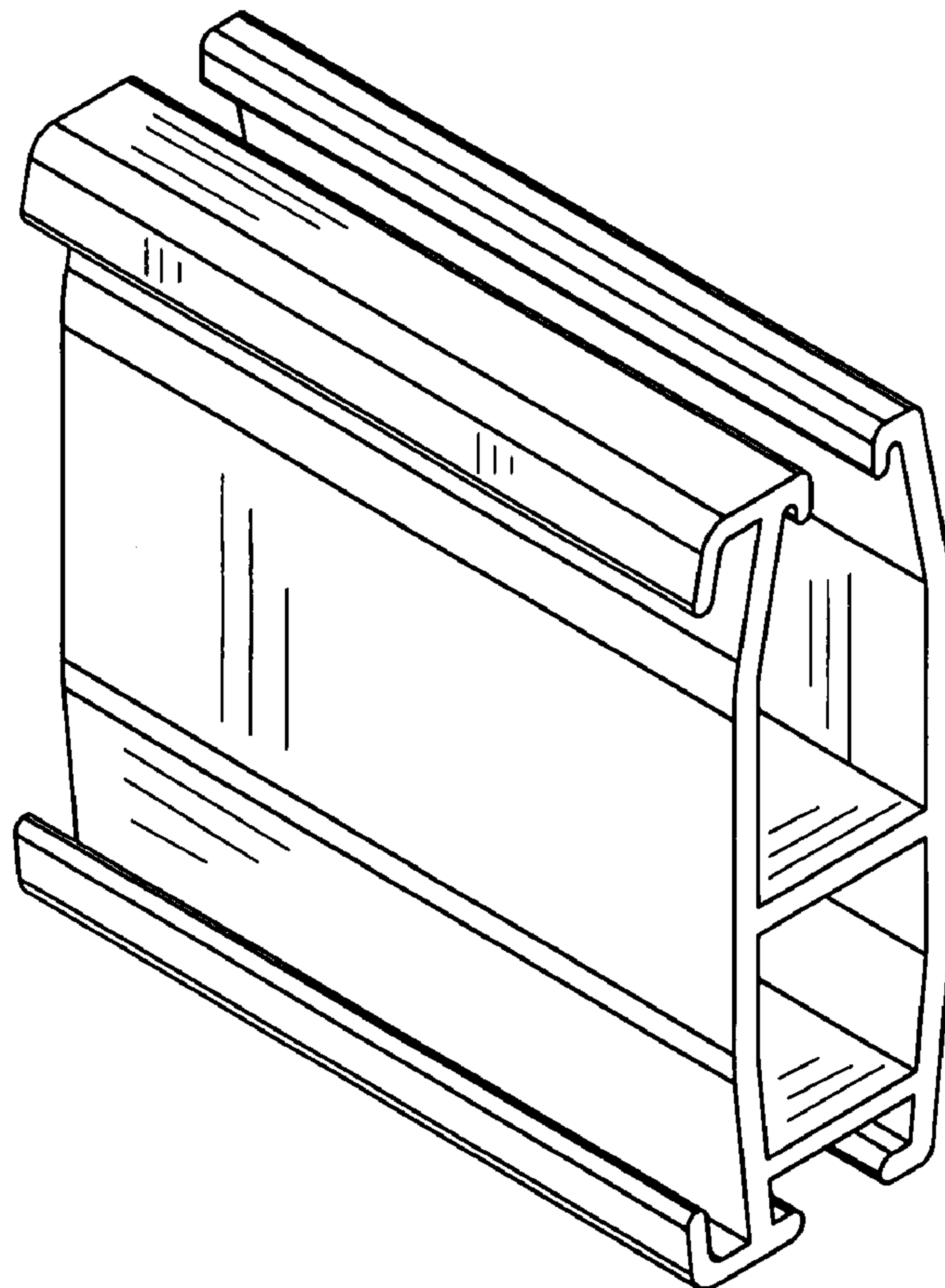
FIG. 4 is a back view of the slim bottom bar for use with a roller blind.

FIG. 5 is a front view of the slim bottom bar for use with a roller blind.

FIG. 6 is a top view of the slim bottom bar for use with a roller blind; and,

FIG. 7 is a bottom view of the slim bottom bar for use with a roller blind.

**1 Claim, 7 Drawing Sheets**



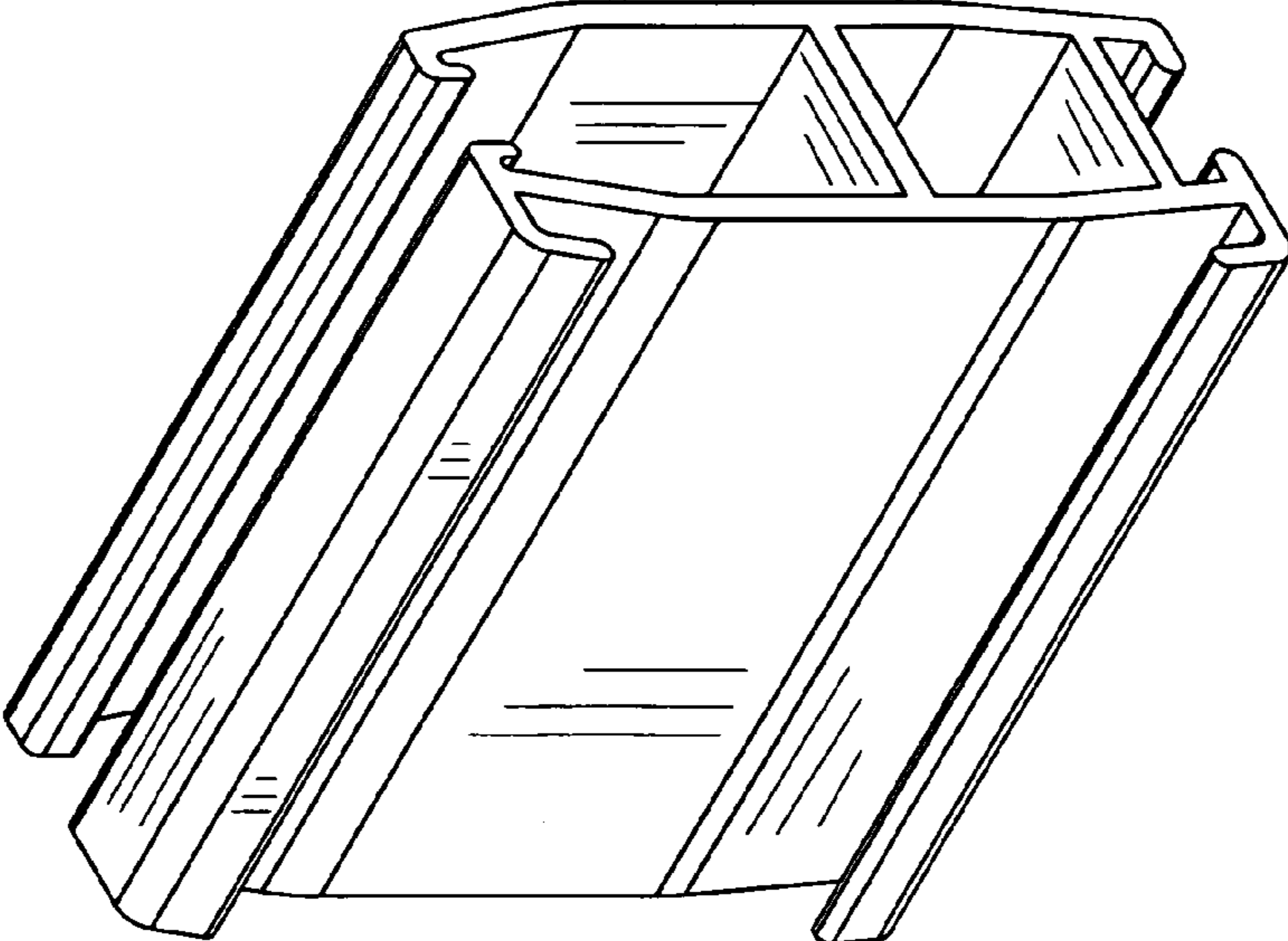


FIG.1

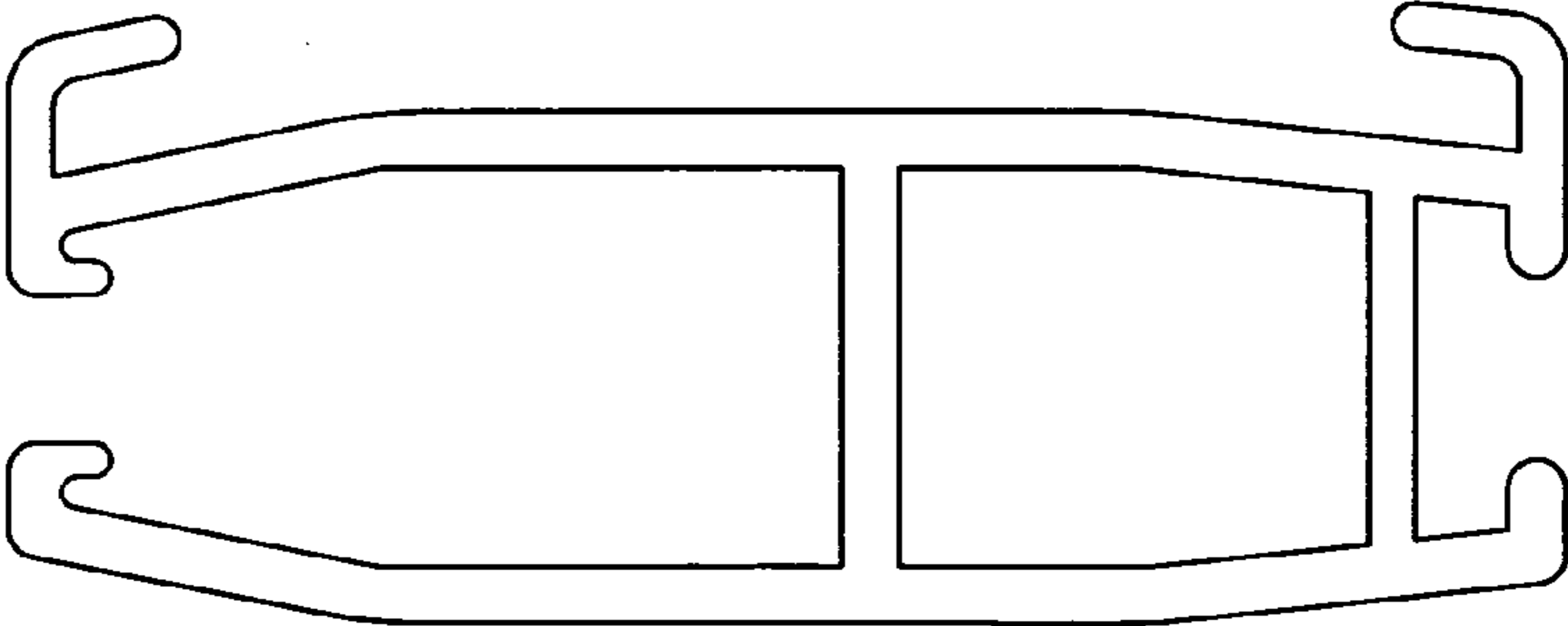


FIG. 2

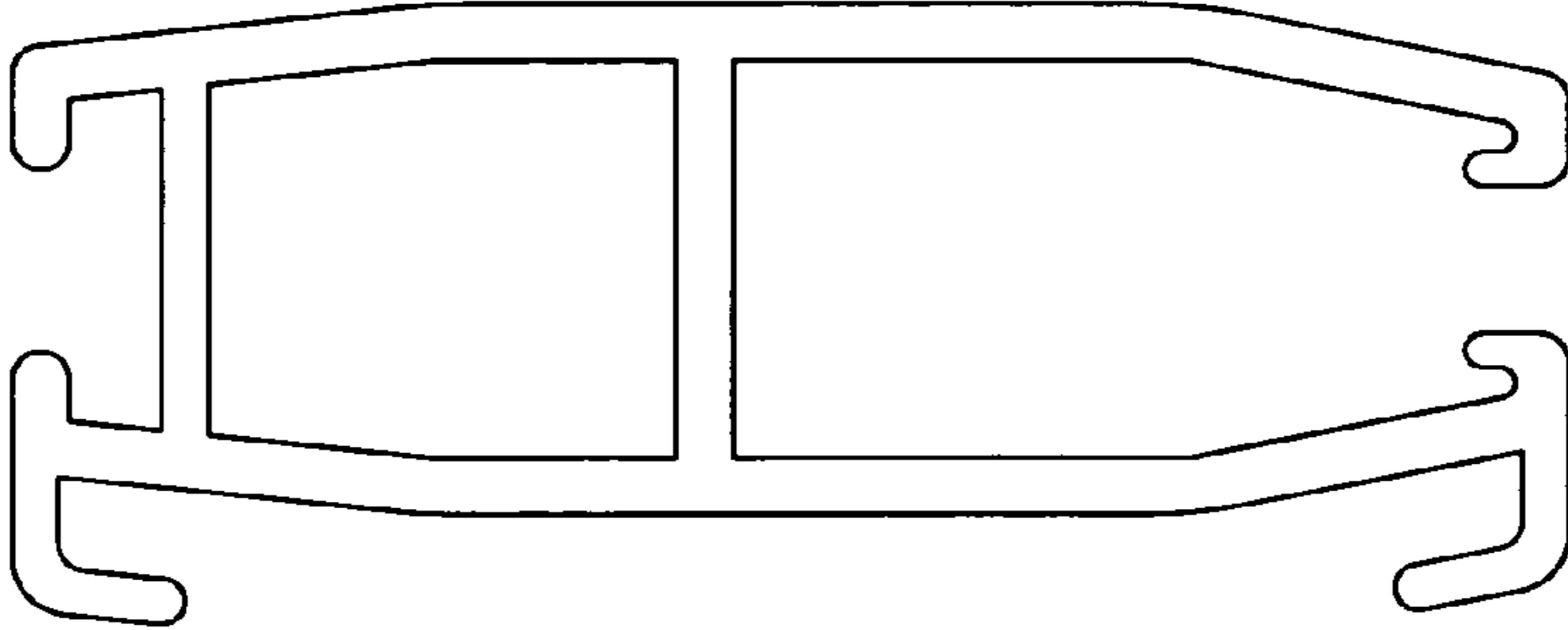


FIG. 3

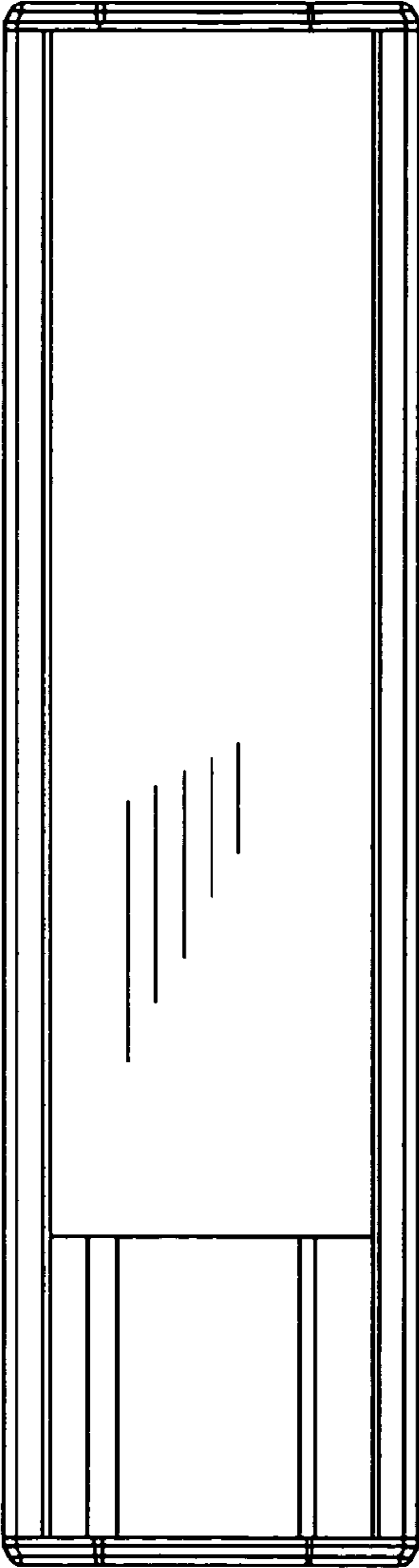


FIG. 4

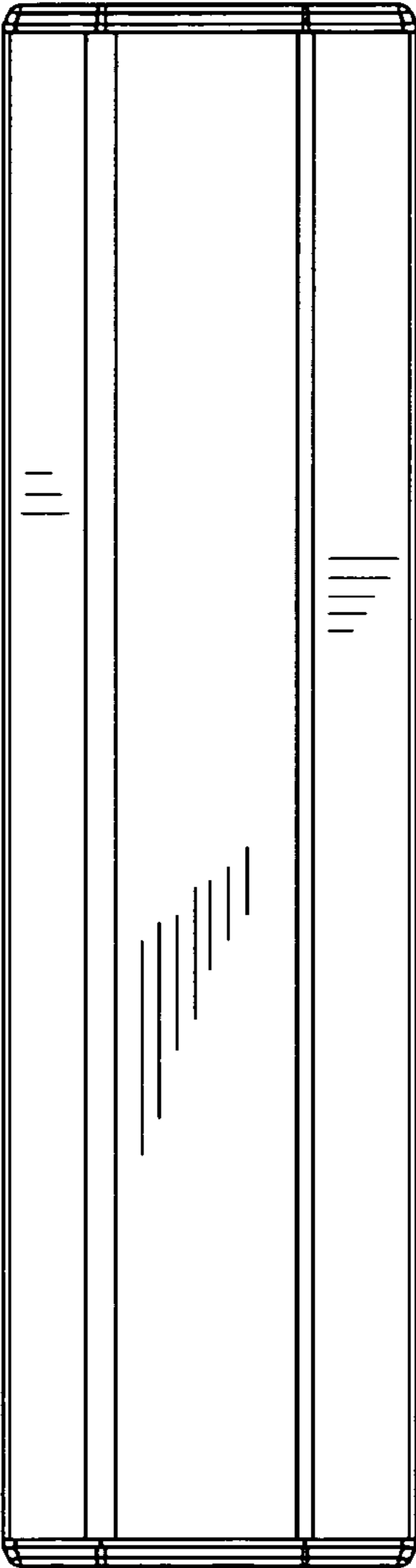


FIG. 5



FIG. 6



FIG. 7