



US00D670942S

(12) **United States Design Patent**
Hurford

(10) **Patent No.:** **US D670,942 S**

(45) **Date of Patent:** **** Nov. 20, 2012**

(54) **CHAIR**

(75) Inventor: **Alexander Hurford**, Yokohama (JP)

(73) Assignee: **Okamura Corporation**, Kanagawa (JP)

(**) Term: **14 Years**

(21) Appl. No.: **29/415,645**

(22) Filed: **Mar. 13, 2012**

(30) **Foreign Application Priority Data**

Sep. 15, 2011 (JP) 2011-021166

(51) **LOC (9) Cl.** **06-01**

(52) **U.S. Cl.** **D6/502**

(58) **Field of Classification Search** D6/334-336,
D6/364, 365, 366, 367, 368, 374, 498, 500-502;
297/411.27, 452.13, 452.21, 452.24, 452.26,
297/452.29, 452.32, 452.35, 452.56
See application file for complete search history.

(56) **References Cited**

U.S. PATENT DOCUMENTS

D600,931 S * 9/2009 Pearson et al. D6/366
D627,983 S * 11/2010 Wakasugi et al. D6/366

D644,862 S * 9/2011 Gaschy D6/500
D654,291 S * 2/2012 Pearson et al. D6/500
D661,117 S * 6/2012 Tanaka et al. D6/366
D661,915 S * 6/2012 Greutmann D6/366
D662,330 S * 6/2012 Tanaka et al. D6/366

* cited by examiner

Primary Examiner — Mimoso De

(74) *Attorney, Agent, or Firm* — Sughrue Mion, PLLC

(57) **CLAIM**

The ornamental design for a chair, as shown and described.

DESCRIPTION

FIG. 1 is a perspective view from the front side of a chair.

FIG. 2 is a perspective view from the rear side thereof.

FIG. 3 is a front elevation view thereof.

FIG. 4 is a right side elevation view thereof.

FIG. 5 is a left side elevation view thereof.

FIG. 6 is a top plan view thereof.

FIG. 7 is a rear elevation view thereof; and,

FIG. 8 is a bottom plan view thereof.

The portions of the chair shown in broken lines are for the purpose of showing environmental structure only and form no part of the claimed design.

1 Claim, 8 Drawing Sheets

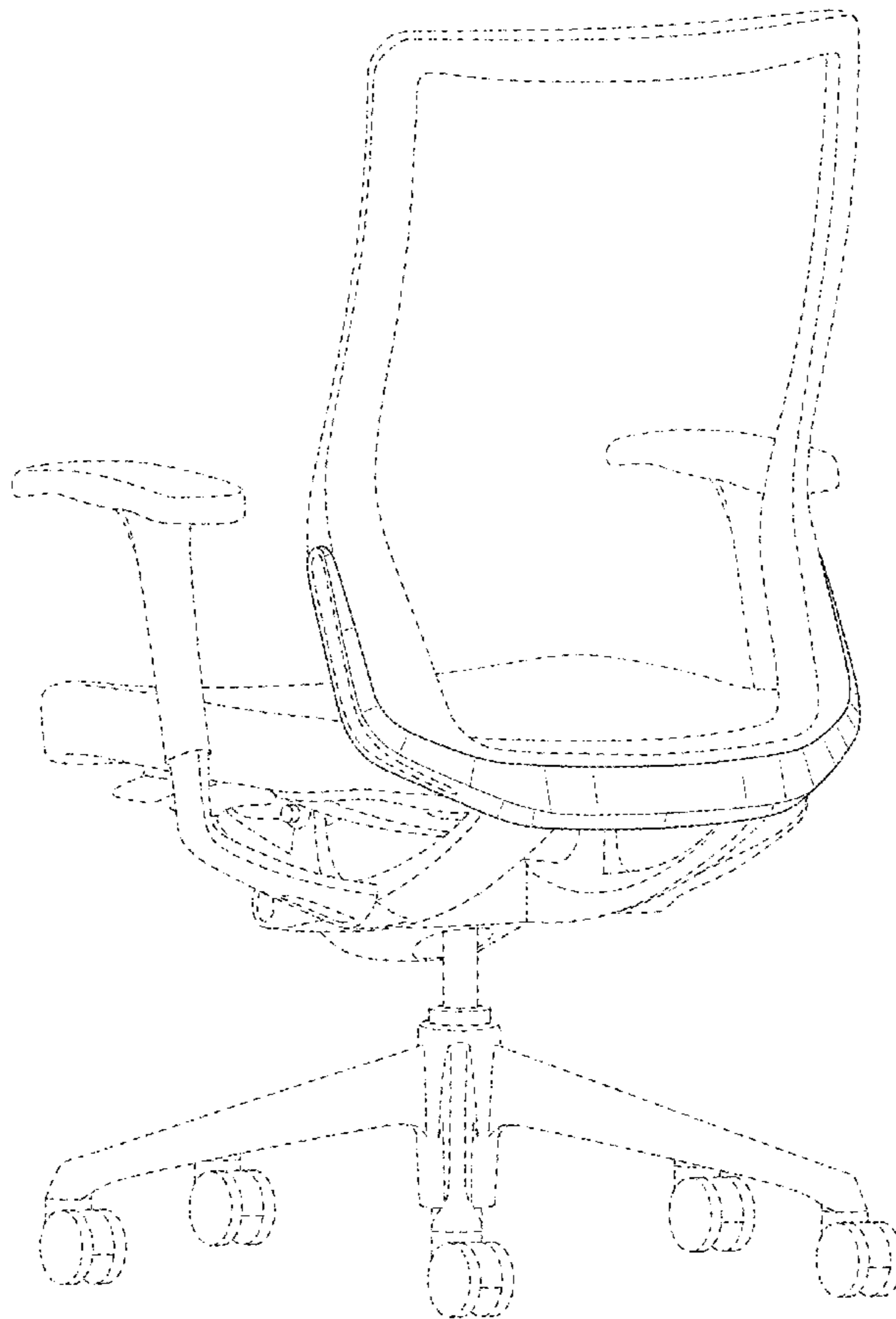


FIG. 1

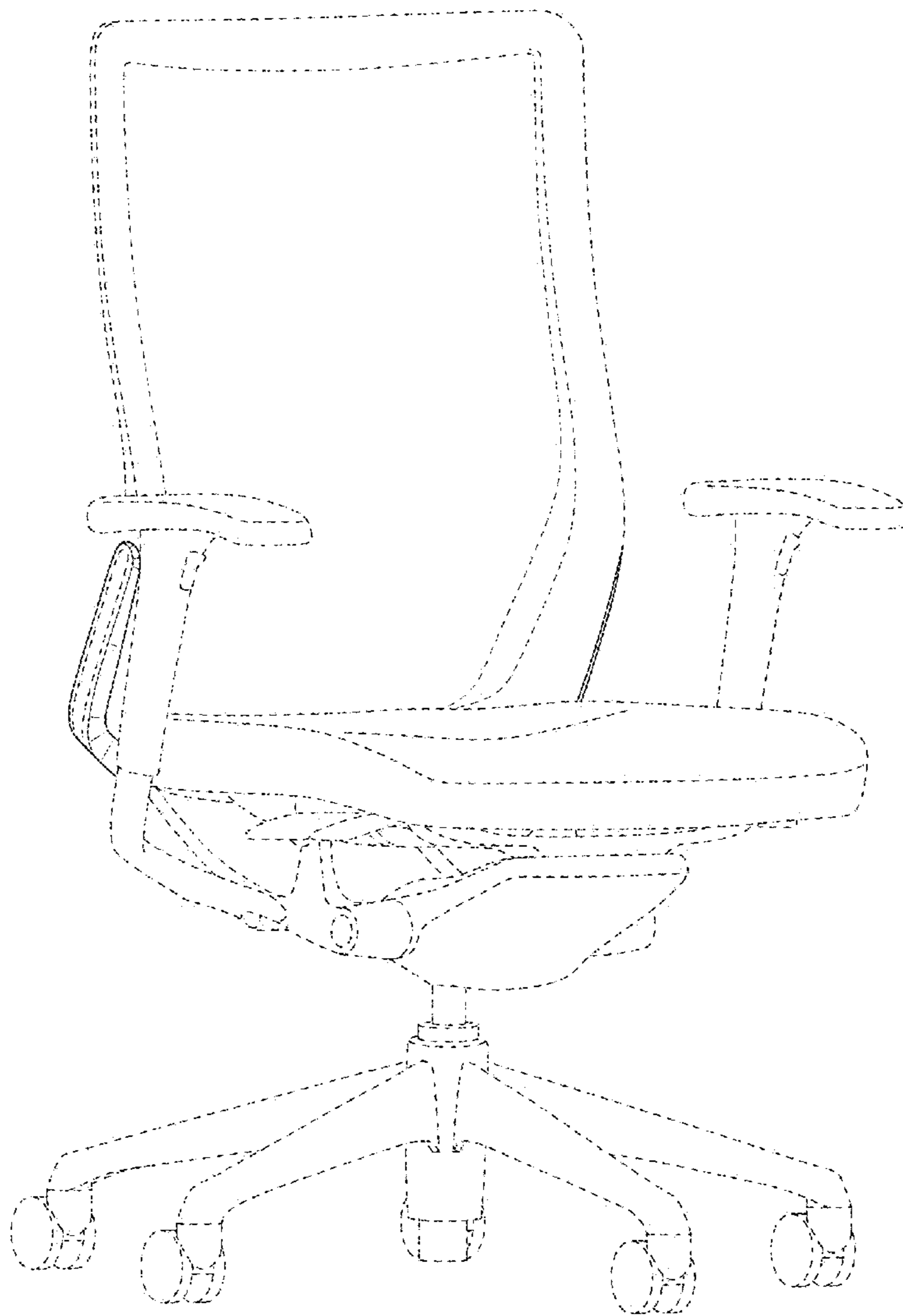


FIG. 2

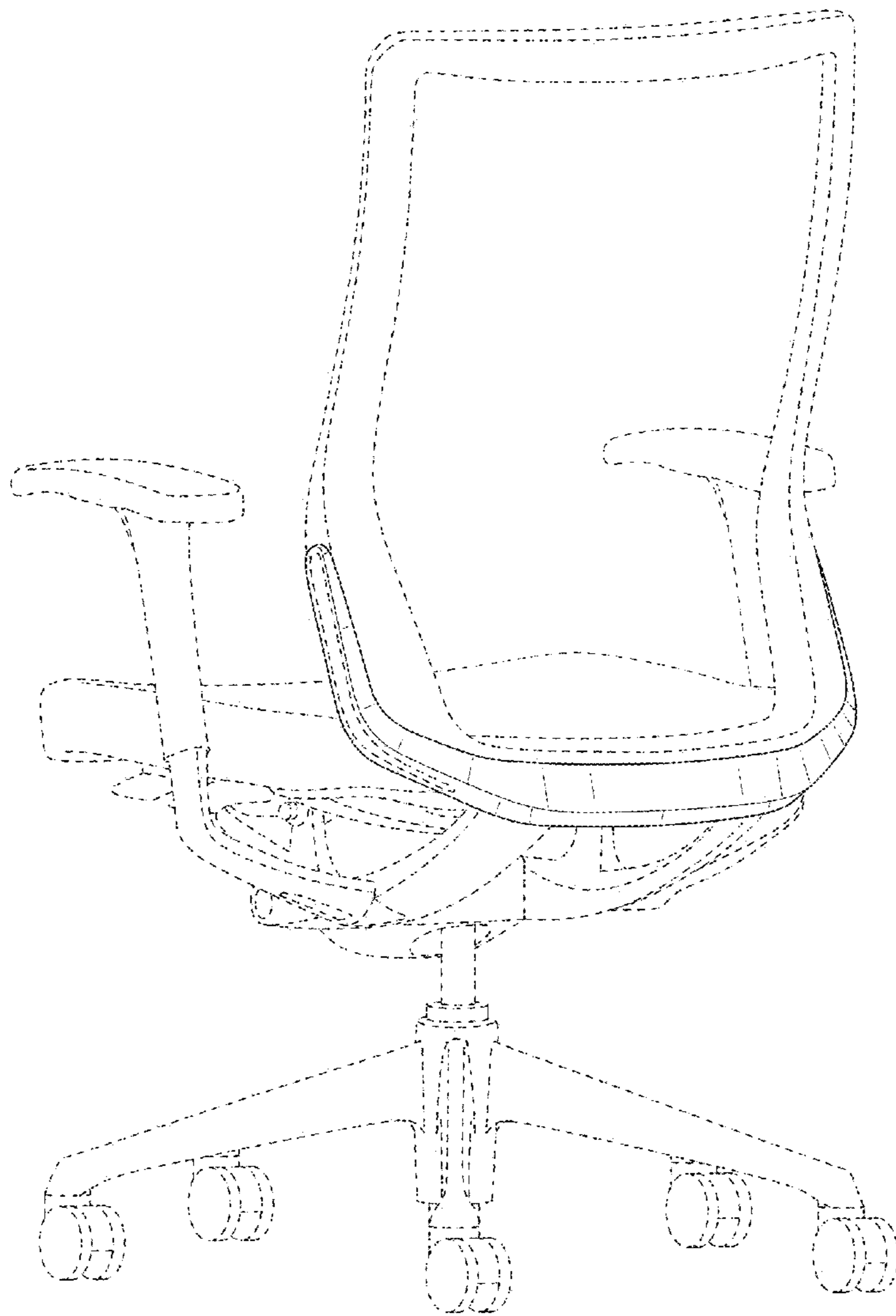


FIG. 3

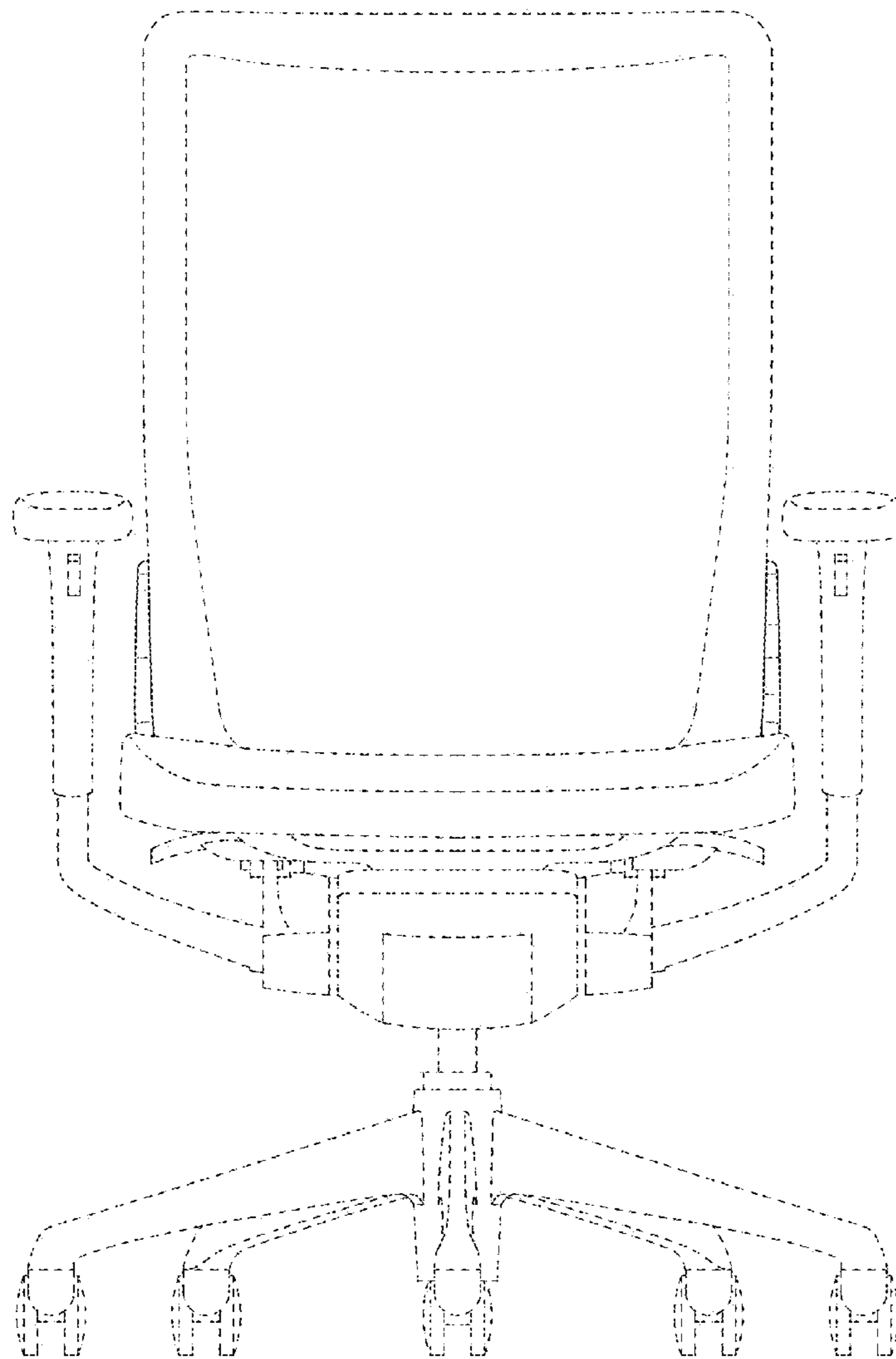


FIG. 4

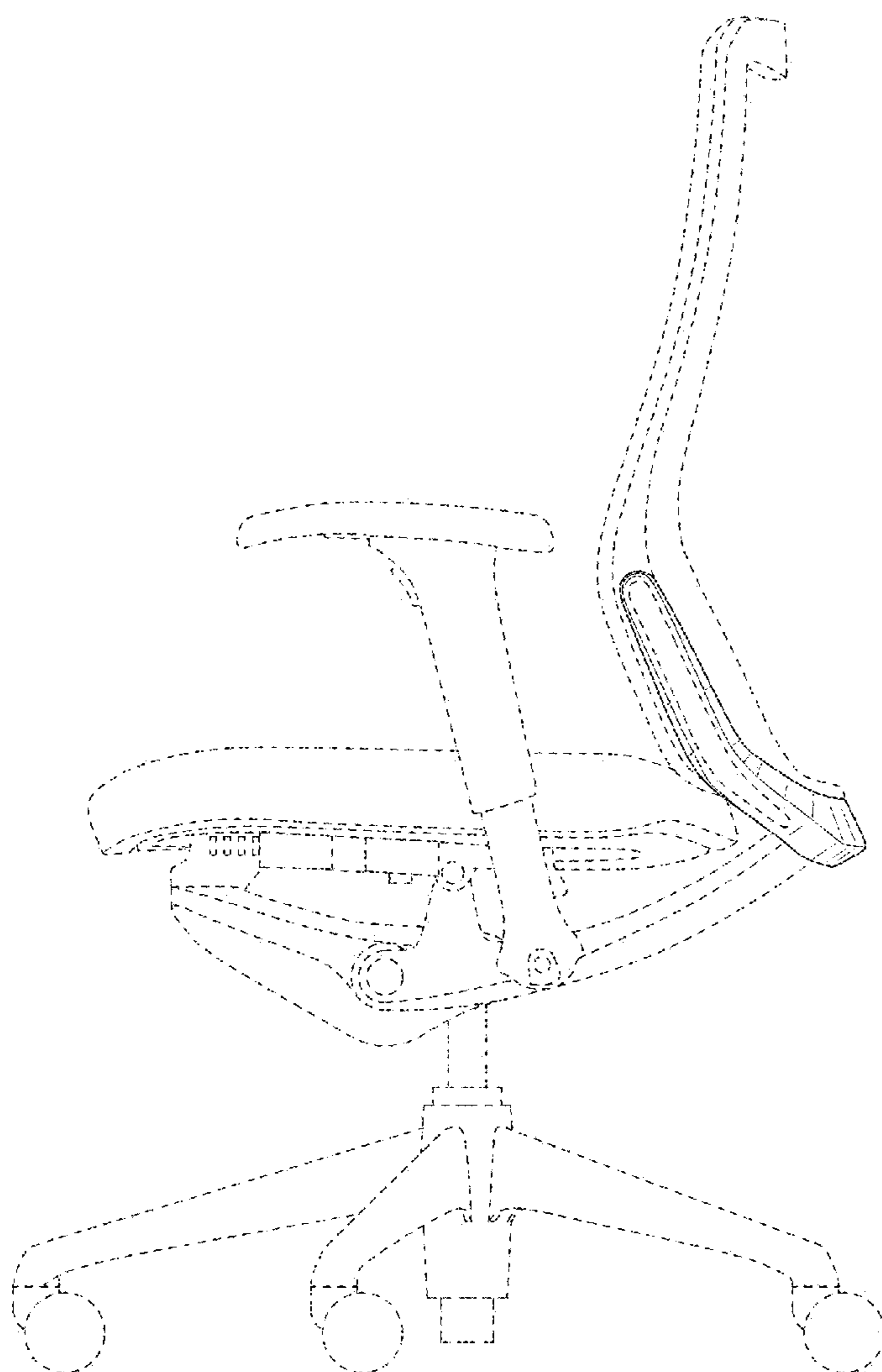


FIG. 5

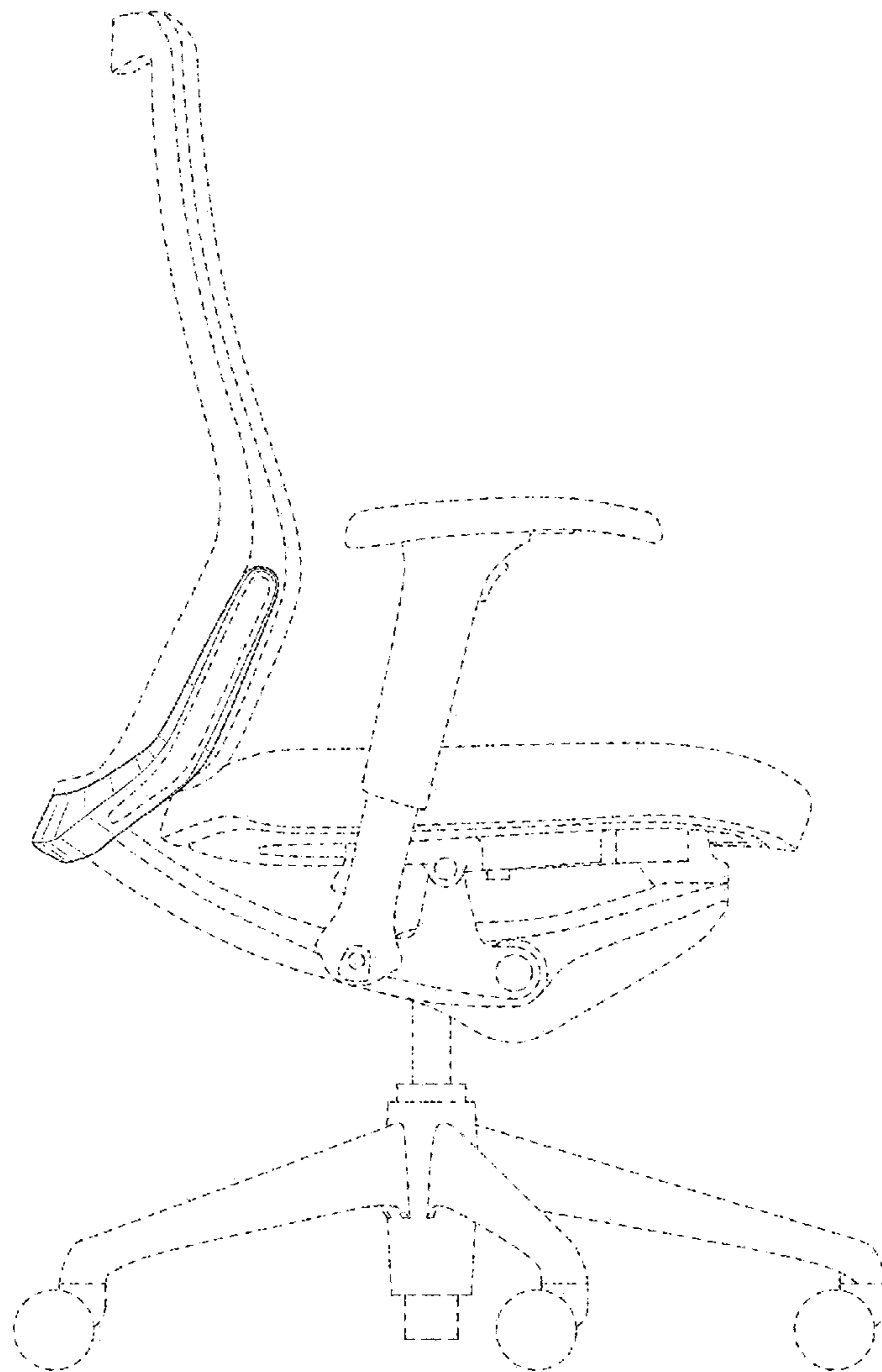


FIG. 6

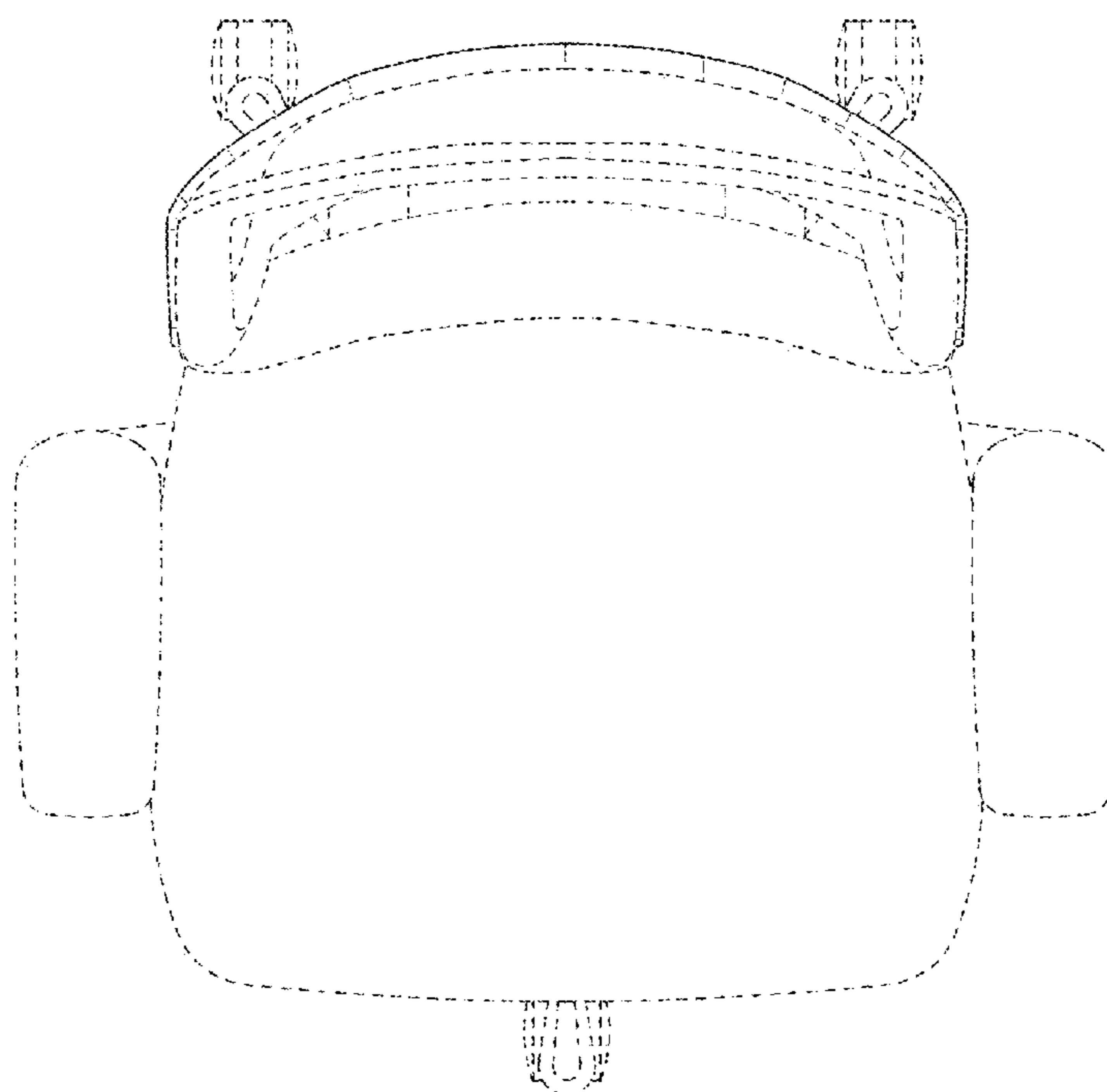


FIG. 7

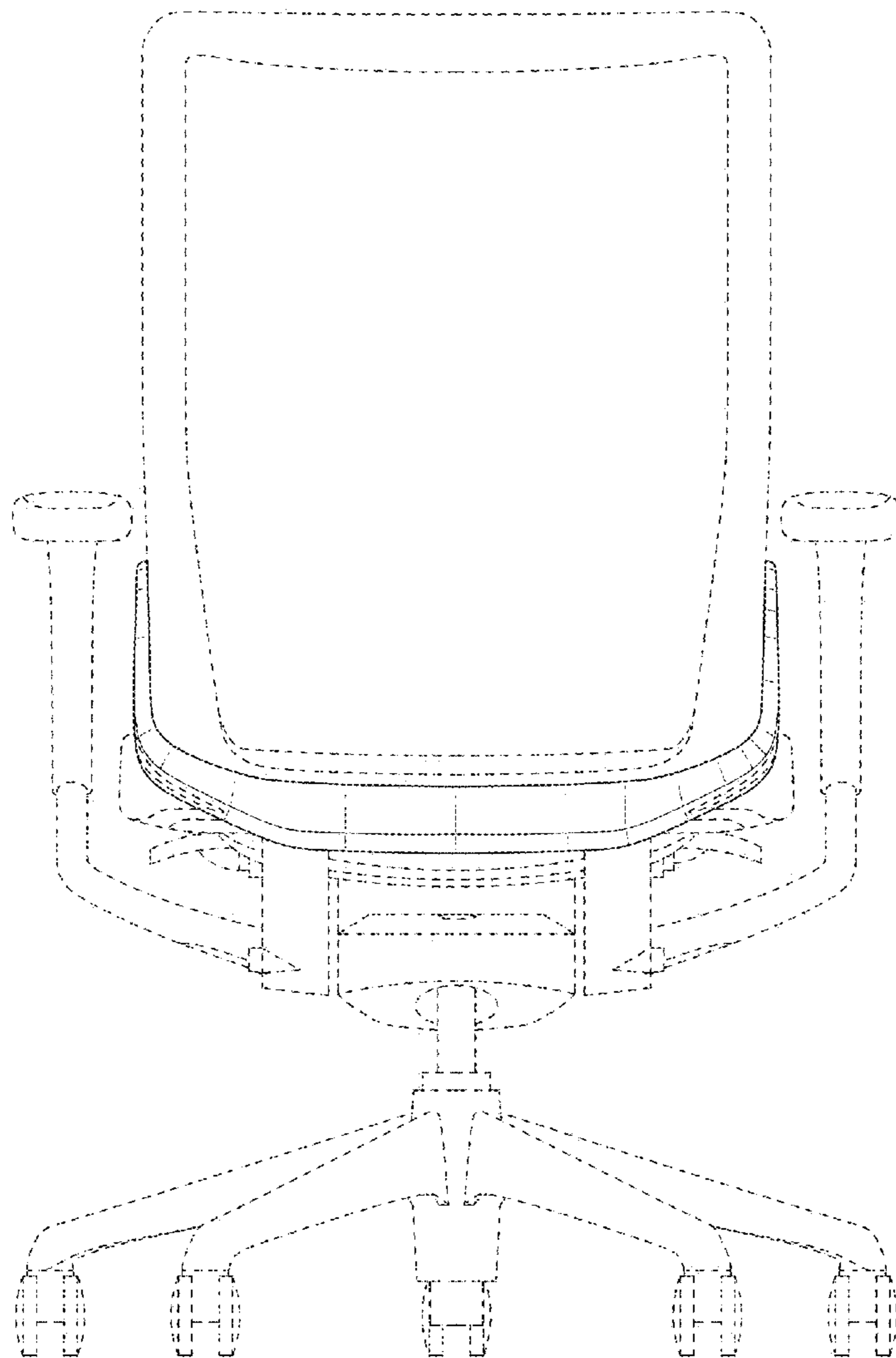


FIG. 8

