

US00D670941S

(12) **United States Design Patent**
Vernon

(10) **Patent No.:** **US D670,941 S**

(45) **Date of Patent:** **** Nov. 20, 2012**

(54) **THORACIC BACK SUPPORT**

(76) Inventor: **Danielle Vernon**, Austin, TX (US)

(**) Term: **14 Years**

(21) Appl. No.: **29/391,071**

(22) Filed: **May 3, 2011**

(51) **LOC (9) Cl.** **06-01**

(52) **U.S. Cl.** **D6/502**

(58) **Field of Classification Search** D6/501–502,
D6/595–598, 601, 604–605; D24/183–184;
297/230.1, 230.11, 230.12, 284.5, 284.4,
297/452.35, 452.36; 5/465, 470, 621, 630,
5/633

See application file for complete search history.

(56) **References Cited**

U.S. PATENT DOCUMENTS

D246,626	S	*	12/1977	Shenk	D6/601
D268,976	S	*	5/1983	Ross	D6/502
4,665,573	A	*	5/1987	Fiore	5/731
4,821,355	A	*	4/1989	Burkhardt	5/636
D318,202	S	*	7/1991	Weber	D6/601
D318,203	S	*	7/1991	Zaghini	D6/601
D321,562	S	*	11/1991	Ljungvall	D24/183
D338,797	S	*	8/1993	Huls	D6/601
D346,924	S	*	5/1994	Gehry	D6/596
5,564,788	A	*	10/1996	Warhaftig	297/464
D400,386	S	*	11/1998	Keilhauer	D6/601
D401,801	S	*	12/1998	Zacharkow	D6/601
D410,457	S	*	6/1999	Eyler	D14/432
D423,859	S	*	5/2000	Wolff	D6/601
D434,589	S	*	12/2000	Moeke-Maxwell	D6/601
D441,587	S	*	5/2001	Cameron	D6/601
D476,700	S	*	7/2003	Manville	D21/484
D495,540	S	*	9/2004	Lipsztein	D6/511

D509,981	S	*	9/2005	Owen	D6/601
D521,301	S	*	5/2006	Dickson	D6/601
D530,933	S	*	10/2006	Vitaro	D6/361
D566,448	S	*	4/2008	Ridder	D6/601
D566,845	S	*	4/2008	Daly et al.	D24/183
D579,706	S	*	11/2008	Cox et al.	D6/601
D587,950	S	*	3/2009	Long	D6/601
D595,527	S	*	7/2009	Carter	D6/601
D595,986	S	*	7/2009	Kloes et al.	D6/601

(Continued)

OTHER PUBLICATIONS

Hibak Rest Lumbar Back Support Pillow, Pain-Relief.com website, Jan. 11, 2011.

(Continued)

Primary Examiner — Kelley Donnelly

(74) *Attorney, Agent, or Firm* — Meyertons, Hood, Kivlin, Kowert & Goetzl, P.C.; Eric B. Meyertons

(57) **CLAIM**

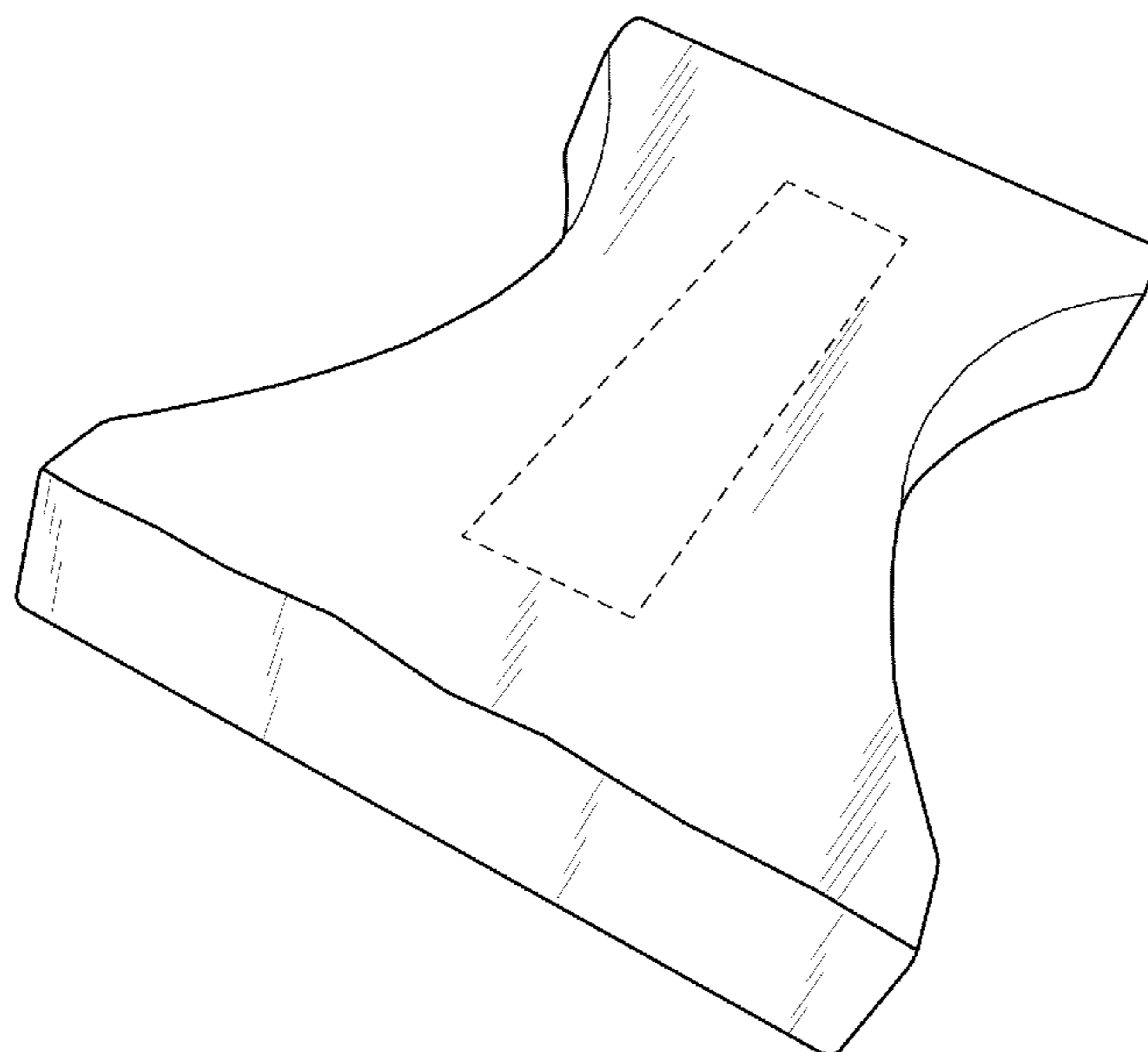
The ornamental design for a thoracic back support, as shown and described.

DESCRIPTION

FIG. 1 is a perspective view of a thoracic back support. FIG. 2 is a top view of the thoracic back support. FIG. 3 is a bottom view of the thoracic back support. FIG. 4 is a front view of the thoracic back support. FIG. 5 is a back view of the thoracic back support. FIG. 6 is a right view of the thoracic back support; and, FIG. 7 is a left view of the thoracic back support.

The broken lines are for the purpose of illustrating the environment of the design only and form no part of the claimed design.

1 Claim, 3 Drawing Sheets



US D670,941 S

Page 2

U.S. PATENT DOCUMENTS

D601,261 S * 9/2009 Levan D24/184
D601,376 S * 10/2009 Siklosi et al. D6/611
D618,354 S * 6/2010 Francucci et al. D24/183
D622,530 S * 8/2010 Long D6/601
D623,305 S * 9/2010 Tao D24/200
D635,265 S * 3/2011 Coffey et al. D24/183
D642,001 S * 7/2011 Hong D6/502
D643,125 S * 8/2011 Seidel D24/184
D643,638 S * 8/2011 Weichselbaumer D6/361
D645,675 S * 9/2011 Rice et al. D6/406.3
D648,551 S * 11/2011 Clark D6/361

OTHER PUBLICATIONS

Hourglass Cervical Rest Pillows—Mabis, Pain-Relief.com website,
Jan. 11, 2011.

Back Buddy Products, OrthopaedicIndia.com website, Jan. 11, 2011.

Satin Caress Neck Support, MaxiAids.com website, Jan. 11, 2011.

* cited by examiner

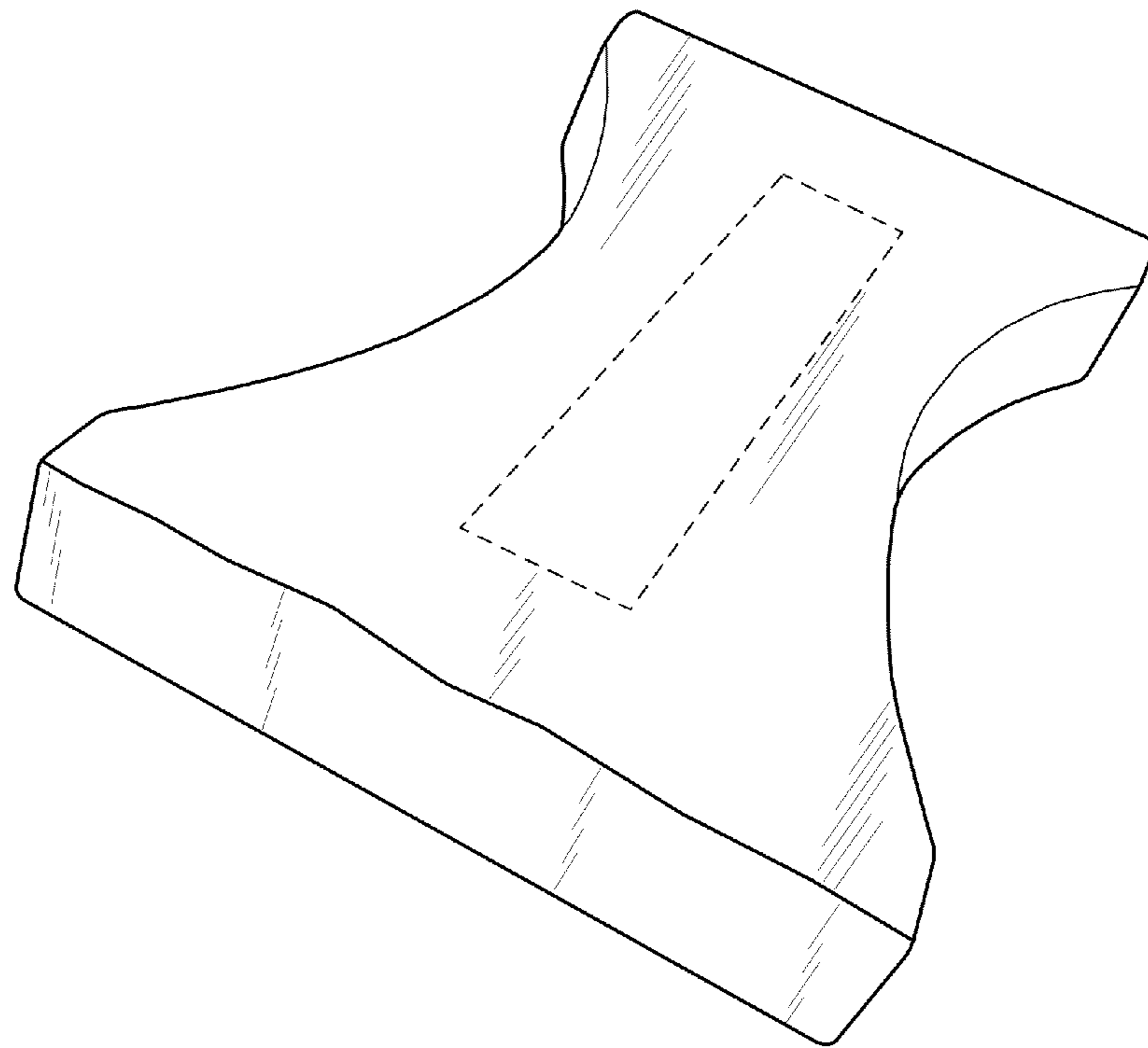


FIG. 1

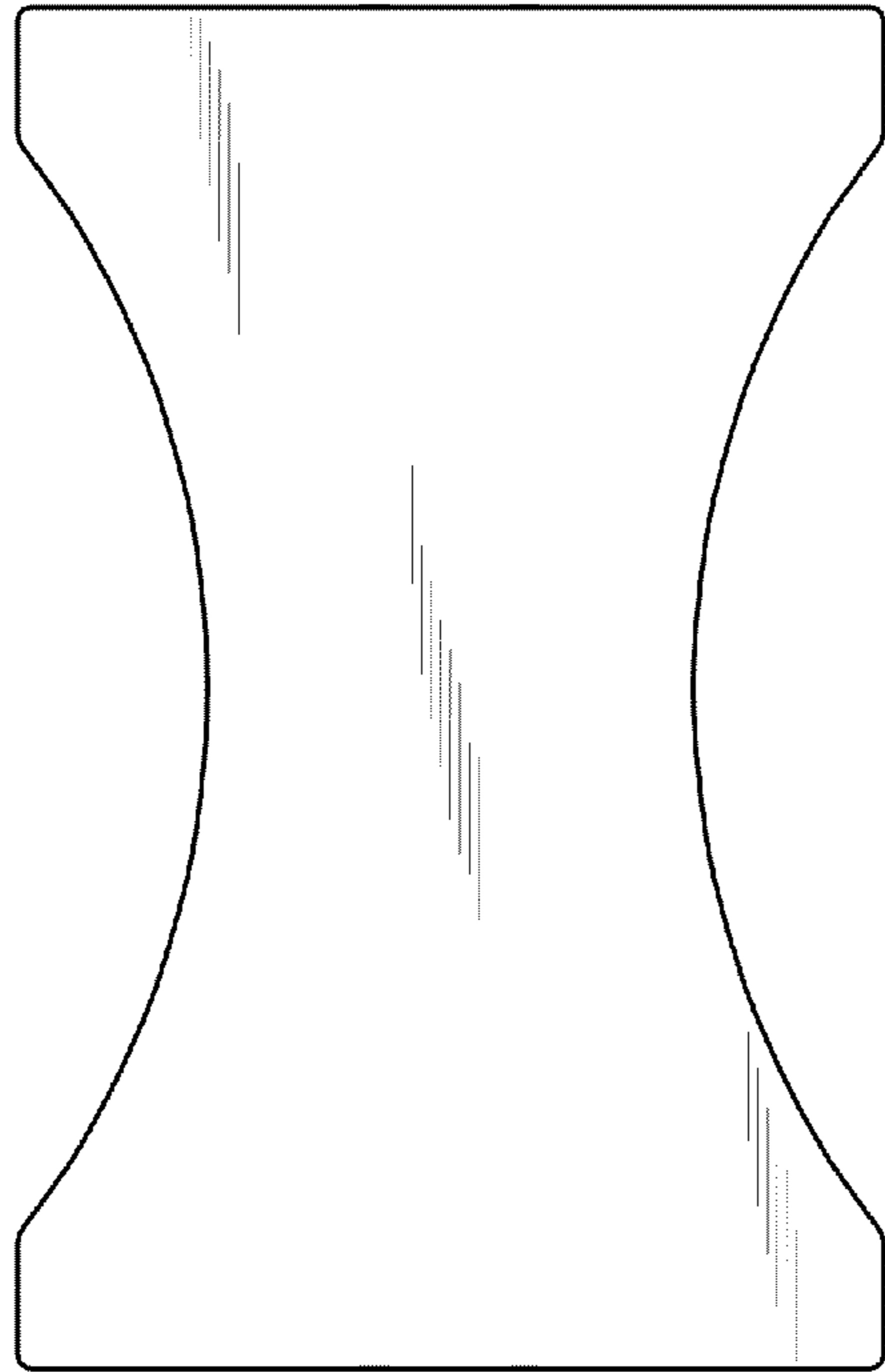


FIG. 2

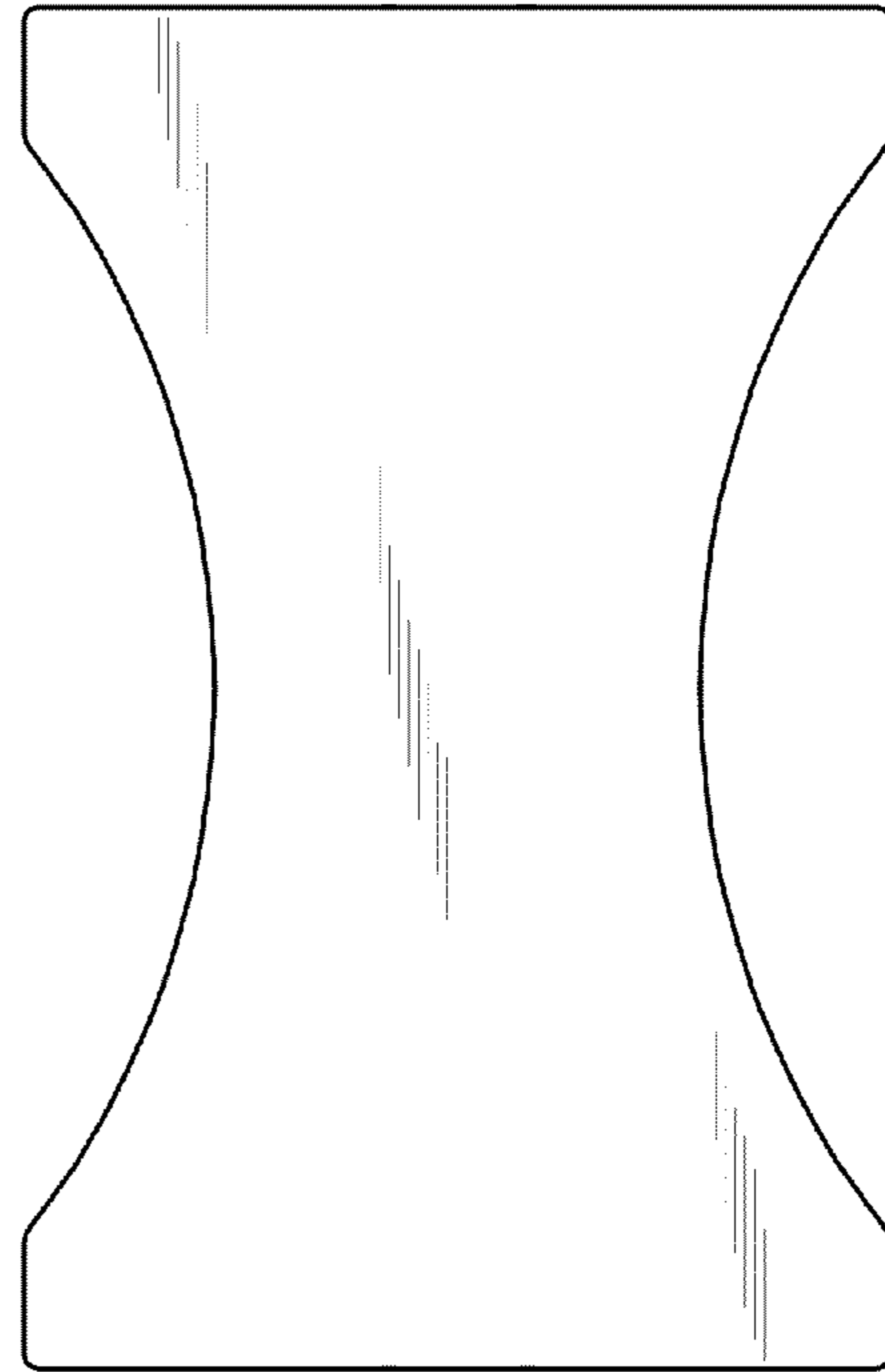


FIG. 3

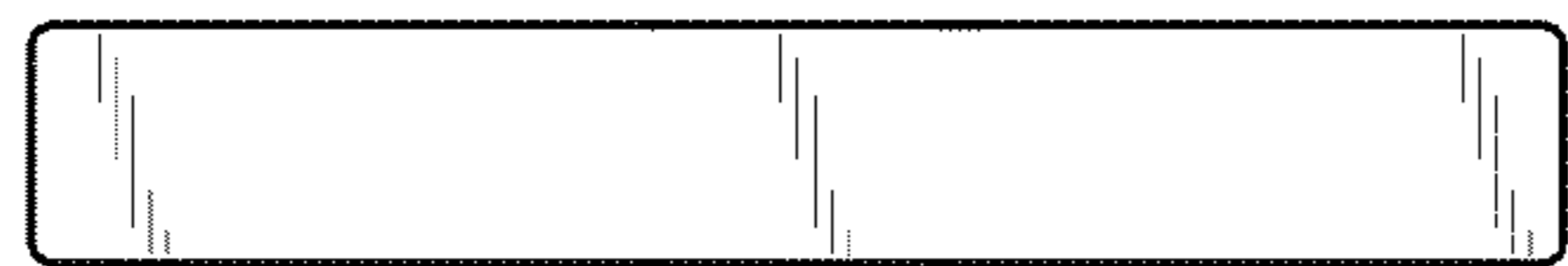


FIG. 4

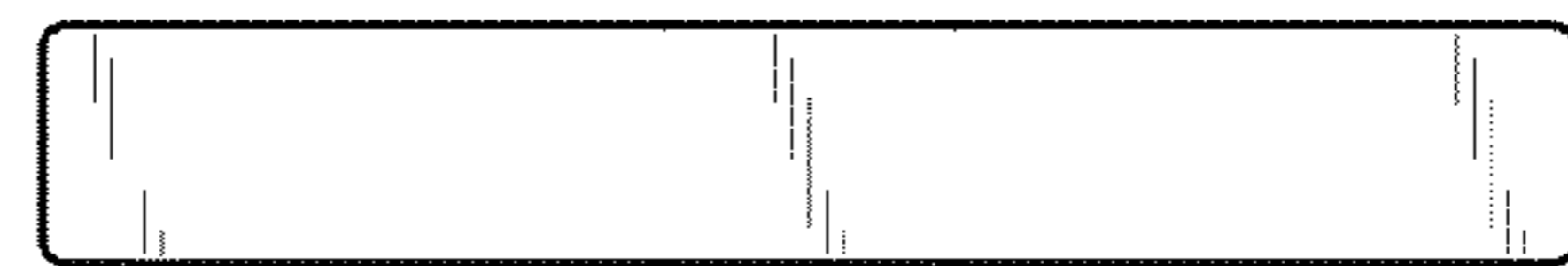


FIG. 5

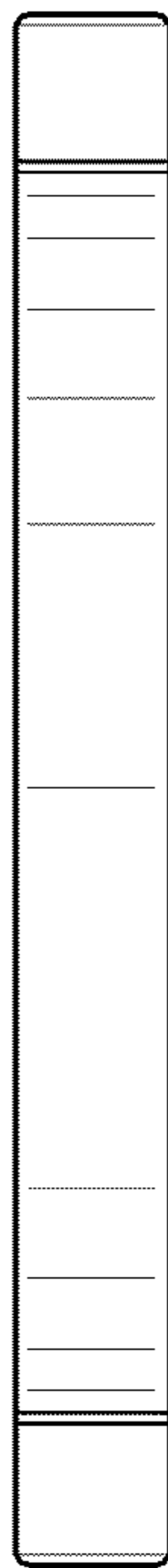


FIG. 6

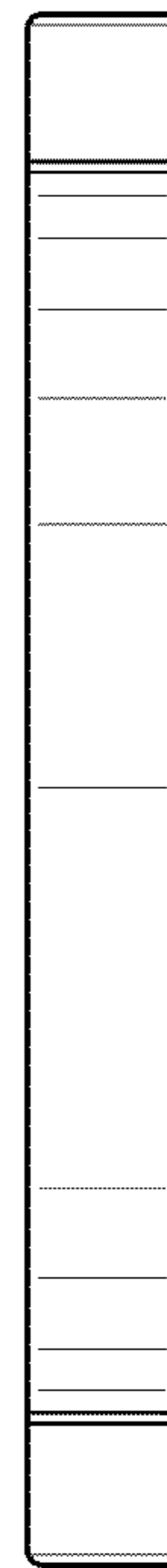


FIG. 7