



US00D670939S

(12) **United States Design Patent**  
**Schneider**

(10) **Patent No.:** **US D670,939 S**

(45) **Date of Patent:** **\*\* Nov. 20, 2012**

(54) **ARMREST**

(75) **Inventor:** **Patrick Schneider**, Fredrikstad (NO)

(73) **Assignee:** **NTNU Technology AS**, Trondheim (NO)

(\*\*) **Term:** **14 Years**

(21) **Appl. No.:** **29/381,831**

(22) **Filed:** **Dec. 23, 2010**

(30) **Foreign Application Priority Data**

Jun. 25, 2010 (NO) ..... 20100336

(51) **LOC (9) Cl.** ..... **06-01**

(52) **U.S. Cl.** ..... **D6/501**

(58) **Field of Classification Search** ..... D6/334-336,  
D6/364-367, 372-380, 498-502; 297/219.1,  
297/300.5, 354.12, 411.2, 411.27, 411.36,  
297/452.1, 452.13, 452.21, 452.25, 452.26,  
297/452.29, 452.3, 452.34, 452.41, 452.54  
See application file for complete search history.

(56) **References Cited**

**U.S. PATENT DOCUMENTS**

D358,944 S *	6/1995	Citterio	.....	D6/366
D374,778 S *	10/1996	Tedesco et al.	.....	D6/366
D403,185 S *	12/1998	Tseng	.....	D6/501
D444,971 S *	7/2001	Tseng	.....	D6/501
6,264,277 B1 *	7/2001	Lay	.....	297/411.2
D449,173 S *	10/2001	Chang	.....	D6/366
D451,319 S *	12/2001	Chi	.....	D6/501
D458,779 S *	6/2002	Lee	.....	D6/501
D459,922 S *	7/2002	Lee	.....	D6/501
D465,113 S *	11/2002	Chen	.....	D6/501

D475,558 S *	6/2003	Chen	.....	D6/501
D491,400 S *	6/2004	Fu	.....	D6/501
D503,057 S *	3/2005	Lee	.....	D6/501
D537,283 S *	2/2007	Tsai	.....	D6/501
D538,075 S *	3/2007	Tsai	.....	D6/501
D538,085 S *	3/2007	Mazzera	.....	D6/501
D538,560 S *	3/2007	Egger	.....	D6/501
D542,579 S *	5/2007	Johnson	.....	D6/501
D543,394 S *	5/2007	Smith	.....	D6/501
D556,479 S *	12/2007	Tsai	.....	D6/501
D566,438 S *	4/2008	Tsai	.....	D6/501
D585,222 S *	1/2009	Zhang	.....	D6/501
D597,348 S *	8/2009	Vong	.....	D6/501
D602,288 S *	10/2009	True	.....	D6/501
D611,277 S *	3/2010	Zhang	.....	D6/501
D637,829 S *	5/2011	Citterio	.....	D6/366

\* cited by examiner

*Primary Examiner* — Ricky Pham

(74) *Attorney, Agent, or Firm* — Birch, Stewart, Kolasch & Birch, LLP

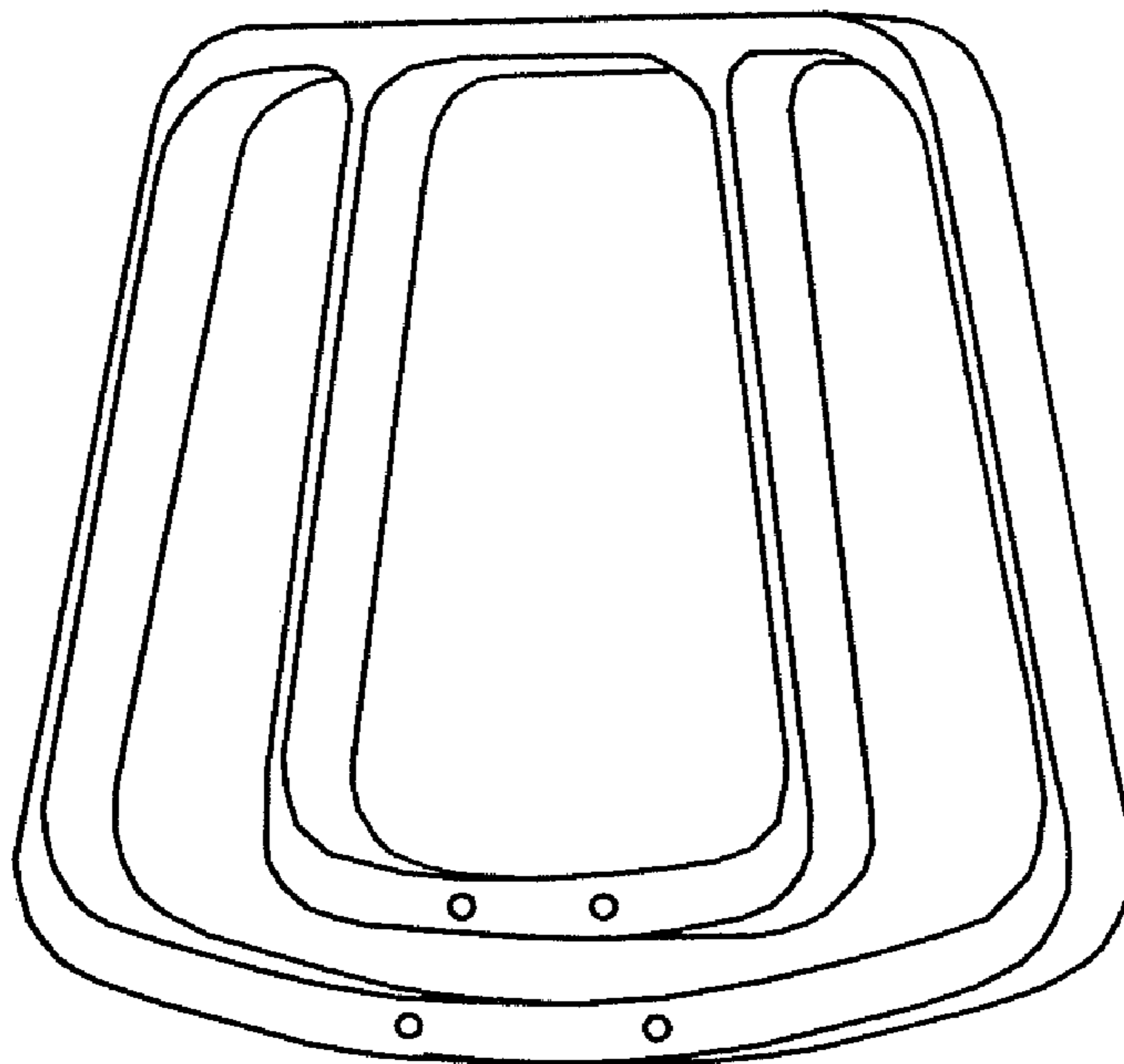
(57) **CLAIM**

The ornamental design for an armrest, as shown and described.

**DESCRIPTION**

FIG. 1 is a perspective view of a of an armrest according to my new design;  
FIG. 2 is a rear view thereof;  
FIG. 3 is a top view thereof;  
FIG. 4 is a left side view thereof;  
FIG. 5 is a bottom view thereof;  
FIG. 6 is a front view thereof; and,  
FIG. 7 is a right side view thereof.

**1 Claim, 2 Drawing Sheets**



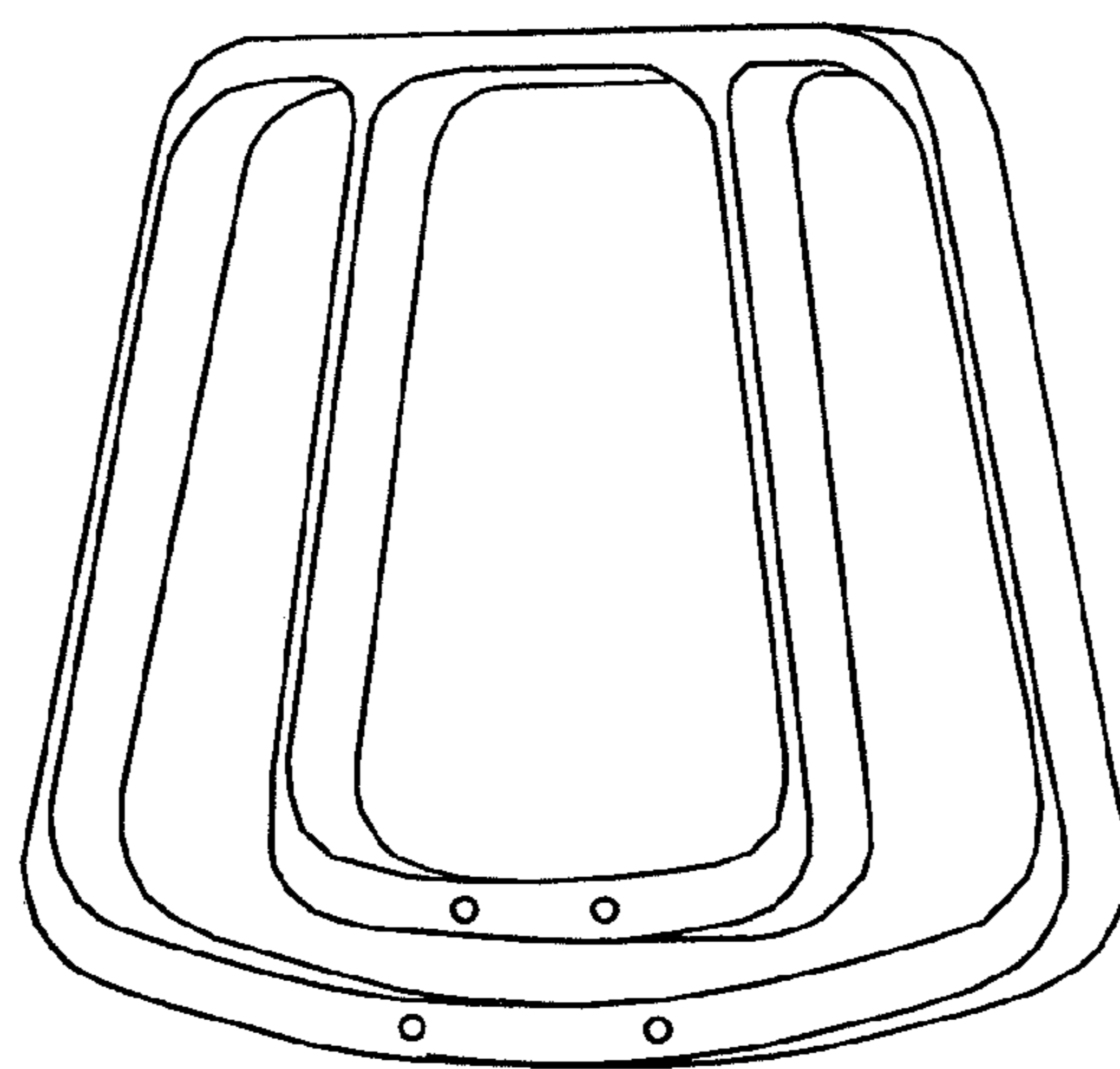


FIG. 1



FIG. 2

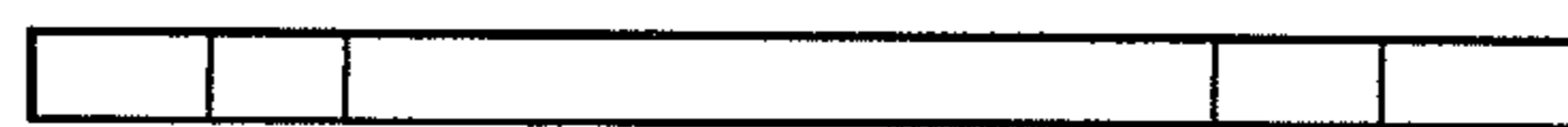


FIG. 3

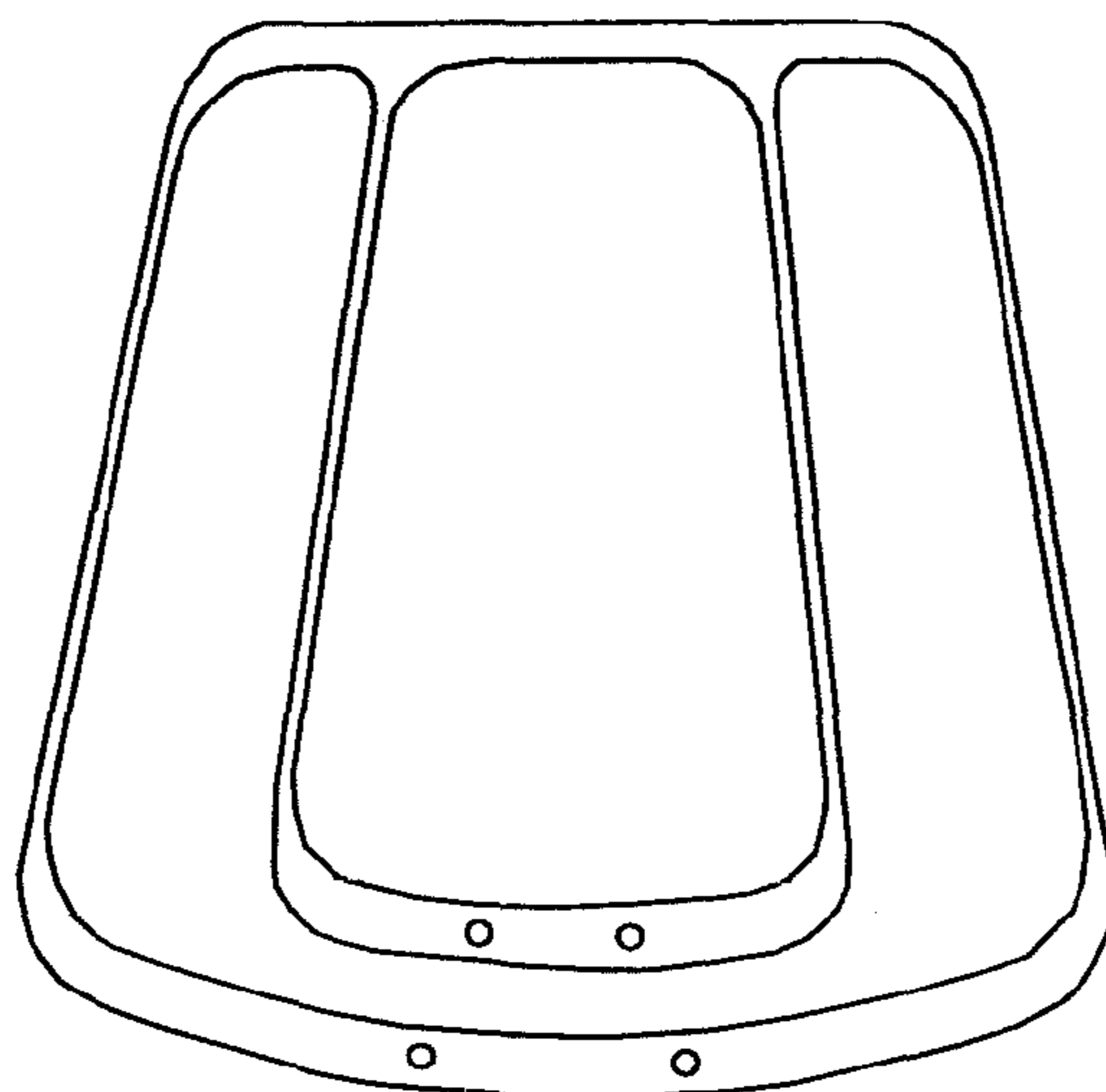


FIG. 4



FIG. 5



FIG. 6

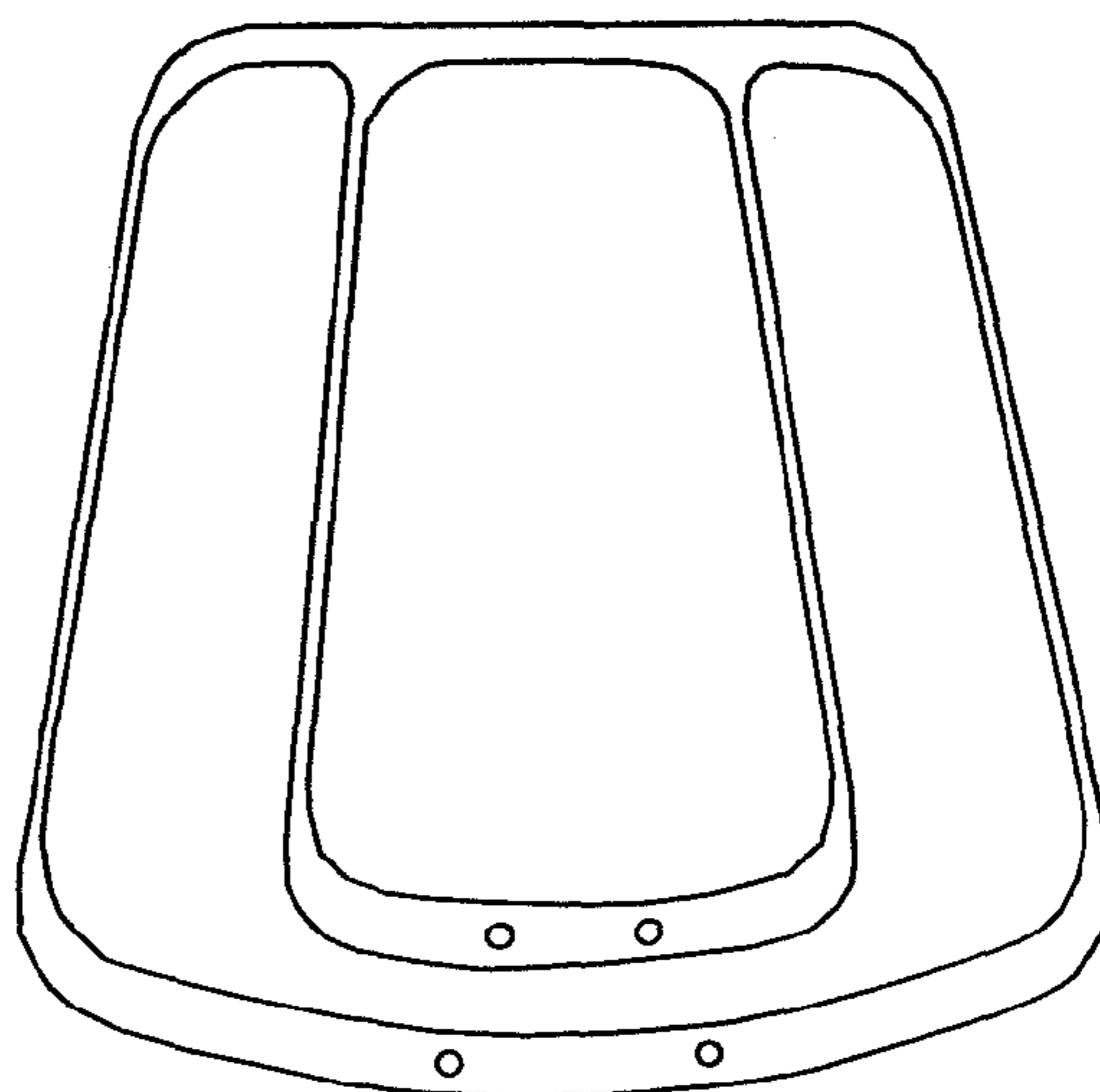


FIG. 7