



US00D670937S

(12) **United States Design Patent**
Stravitz

(10) **Patent No.:** **US D670,937 S**

(45) **Date of Patent:** **** Nov. 20, 2012**

(54) **MULTI-POSITION ORGANIZER**

(75) Inventor: **David M. Stravitz**, New York, NY (US)

(73) Assignee: **Block and Company, Inc.**, Wheeling, IL (US)

(**) Term: **14 Years**

(21) Appl. No.: **29/427,467**

(22) Filed: **Jul. 18, 2012**

(51) **LOC (9) Cl.** **06-06**

(52) **U.S. Cl.** **D6/479**

(58) **Field of Classification Search** D6/476-479,
D6/553, 567; D19/35-36, 65, 75-78, 90-92,
D19/95, 99-100; 211/10-11, 42.1, 45, 50,
211/42.12, 55, 87.01, 88.07; 312/183-184,
312/290

See application file for complete search history.

(56) **References Cited**

U.S. PATENT DOCUMENTS

D103,869	S	*	3/1937	Follett	D6/473
D277,969	S	*	3/1985	Bustos	D19/75
4,955,677	A	*	9/1990	Song	312/290
D329,154	S	*	9/1992	Waterston	D6/476
D342,760	S	*	12/1993	Kirchhoff et al.	D19/90
D370,141	S	*	5/1996	Kelly et al.	D6/475
D394,966	S	*	6/1998	Connor et al.	D6/476
D396,774	S	*	8/1998	Domengot	D6/629
D432,576	S	*	10/2000	Stravitz	D19/75
D459,398	S	*	6/2002	Stravitz	D19/90
D480,426	S	*	10/2003	Kortleven	D19/75
D494,625	S	*	8/2004	Stravitz	D19/90
D502,741	S	*	3/2005	Bain	D19/90

D537,301	S	*	2/2007	Shaw	D7/641
7,510,089	B2	*	3/2009	Killinger et al.	211/11
D630,528	S	*	1/2011	Dombrowski et al.	D9/759
D645,903	S	*	9/2011	Tsai	D19/90
D645,904	S	*	9/2011	Tsai	D19/90
D651,801	S	*	1/2012	Brown	D3/304

* cited by examiner

Primary Examiner — Kelley Donnelly

(74) *Attorney, Agent, or Firm* — Holtz, Holtz, Goodman & Chick, PC

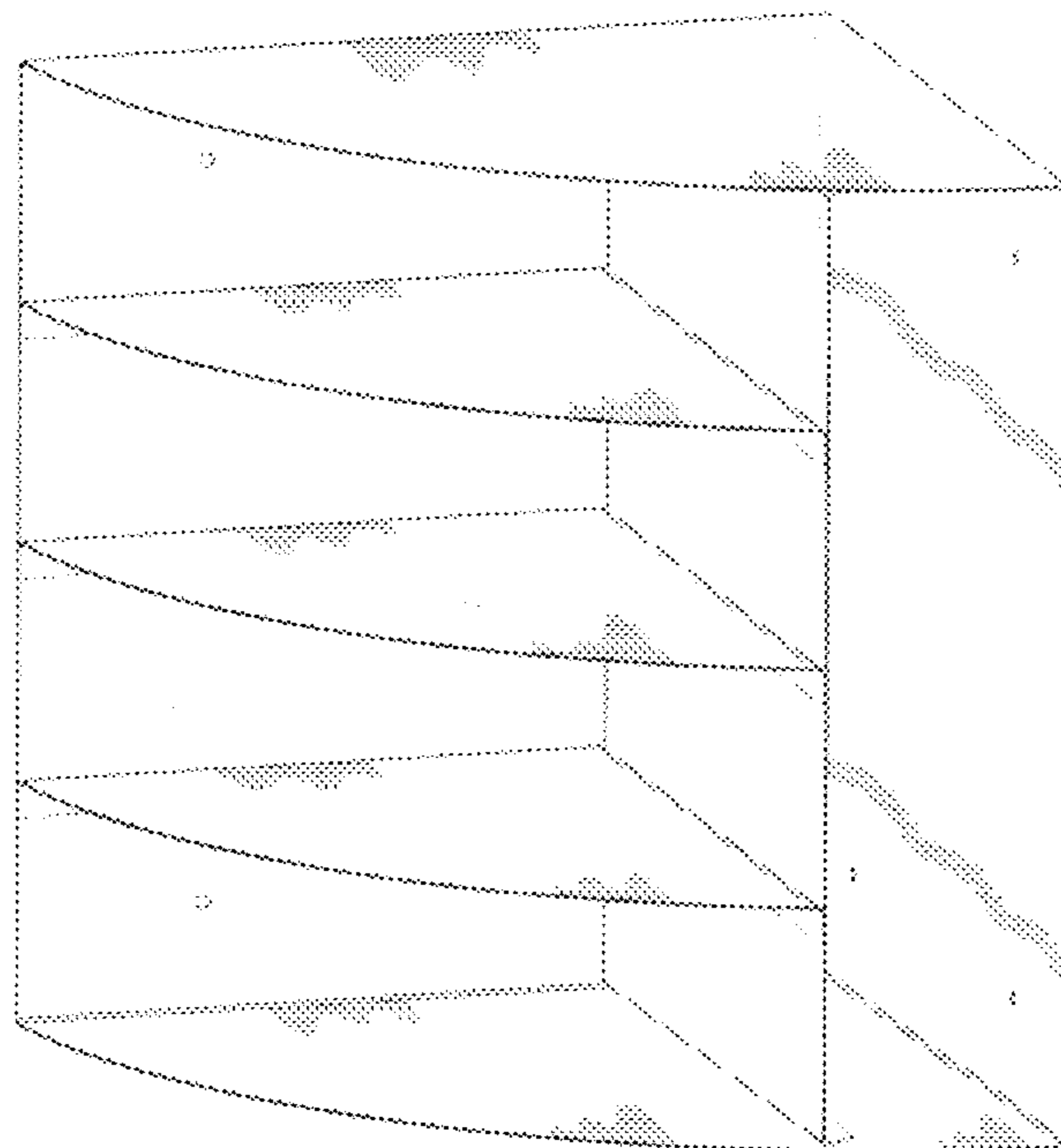
(57) **CLAIM**

An ornamental design for a multi-position organizer, as shown and described.

DESCRIPTION

FIG. 1 is a front, top perspective view of a multi-position organizer showing my new design;
 FIG. 2 is a front elevational view thereof;
 FIG. 3 is a rear elevational view thereof;
 FIG. 4 is a right side view thereof;
 FIG. 5 is a left side view thereof;
 FIG. 6 is a top plan view thereof;
 FIG. 7 is a bottom plan view thereof;
 FIG. 8 is a perspective view thereof shown in a different orientation;
 FIG. 9 is a perspective view thereof shown in still another orientation; and,
 FIG. 10 is a perspective view thereof shown in still another orientation of use.
 The broken line portions of the drawings are for illustrative purposes only, and form no part of the claimed design.

1 Claim, 10 Drawing Sheets



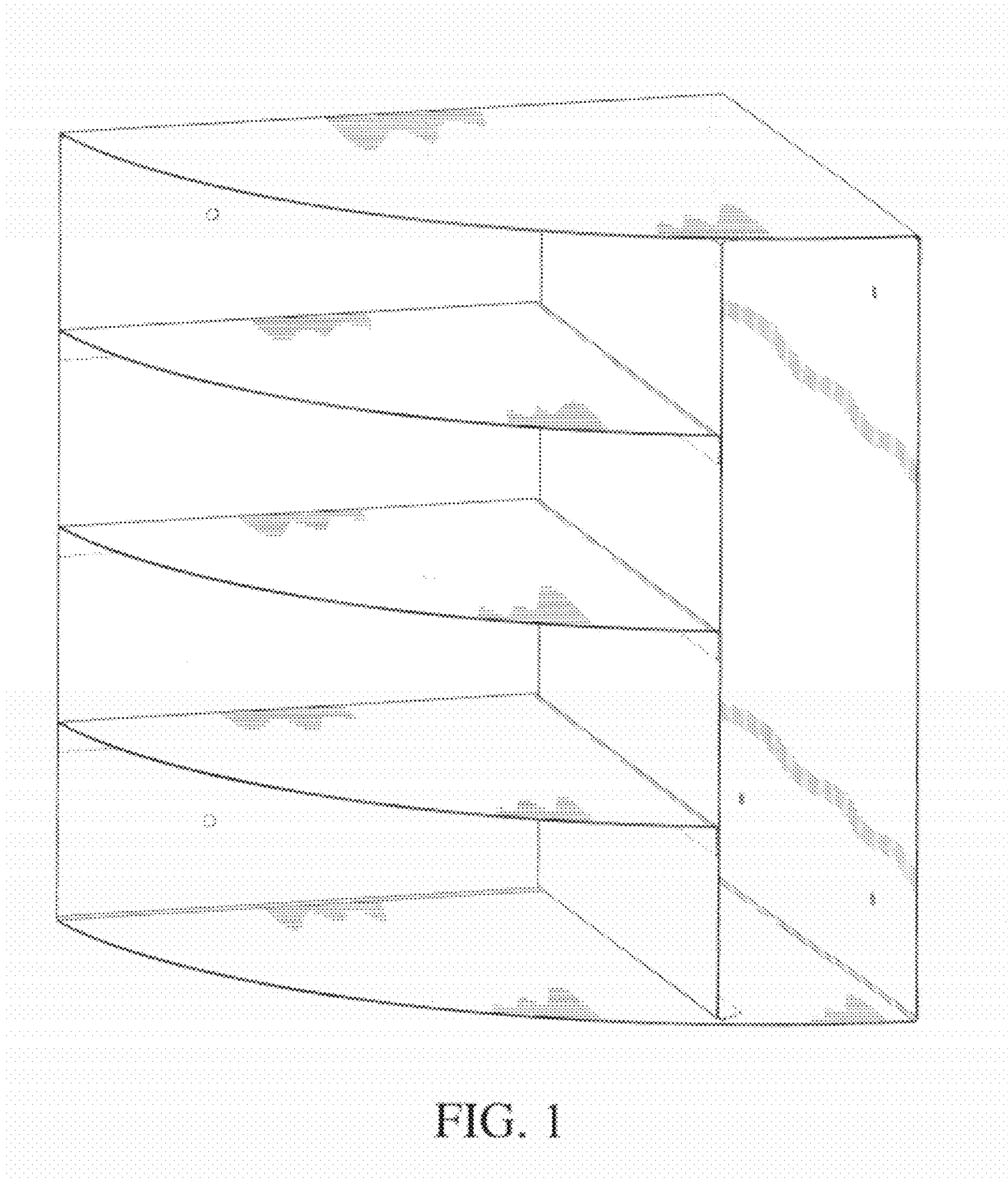


FIG. 1

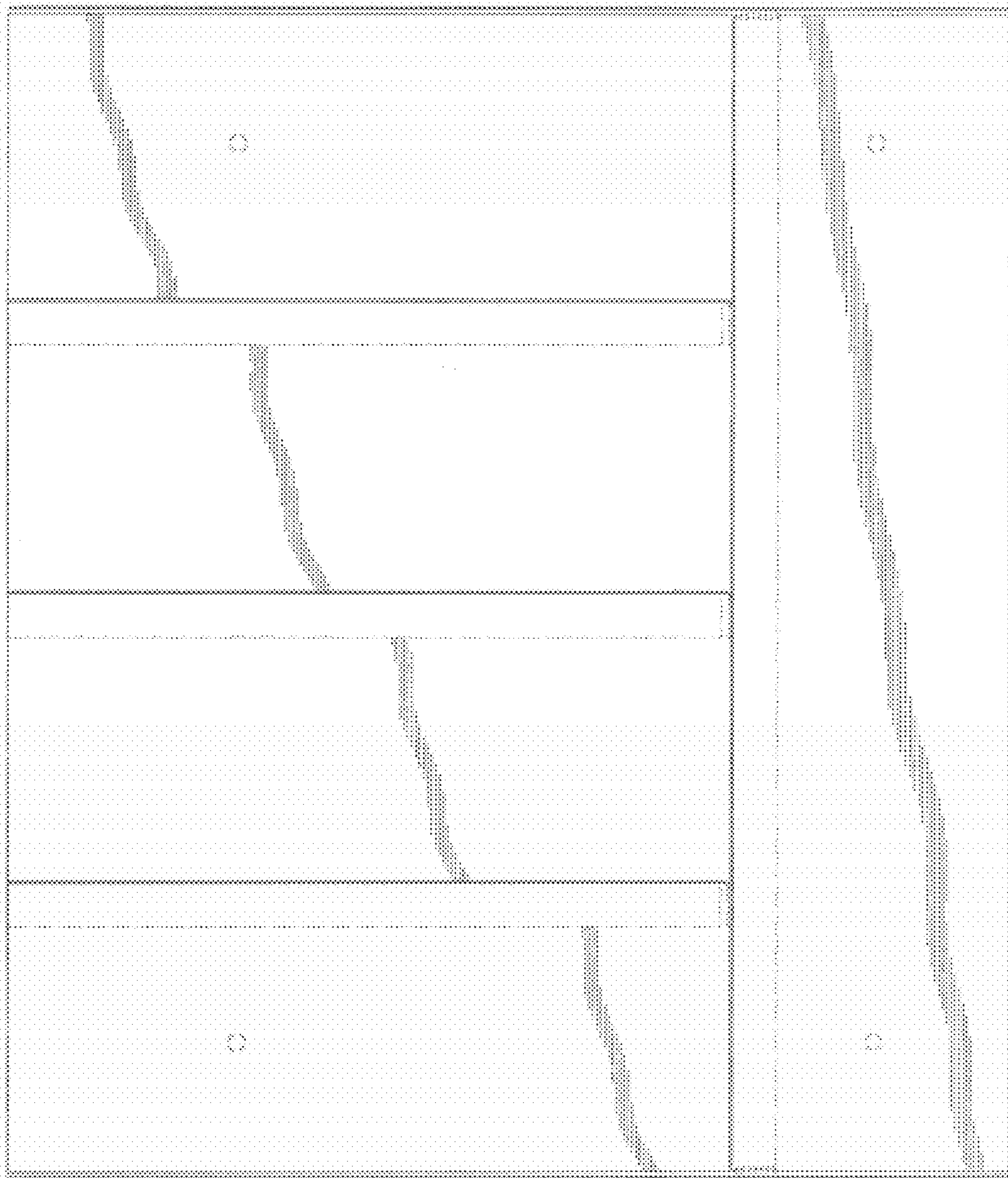


FIG. 2

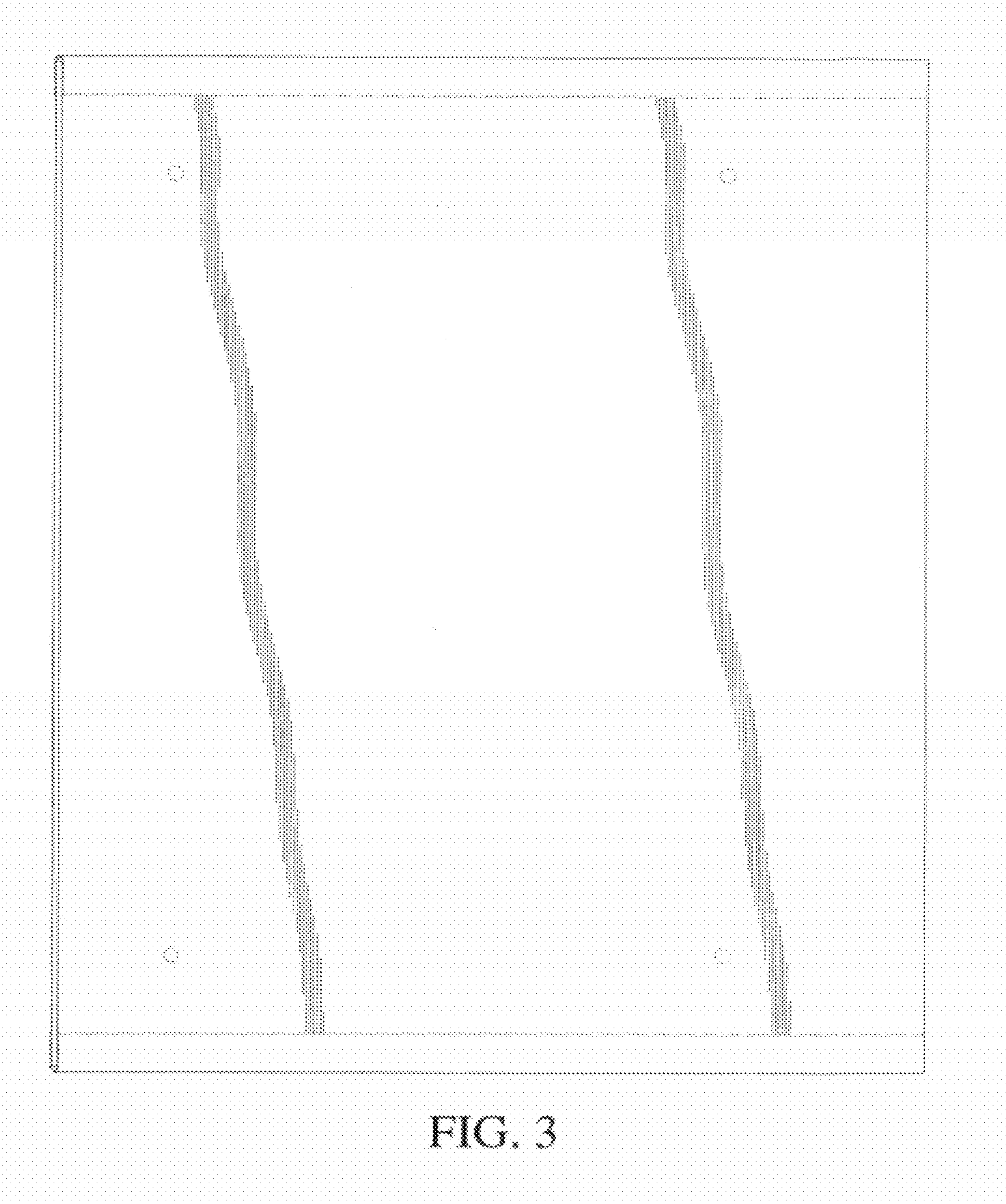


FIG. 3

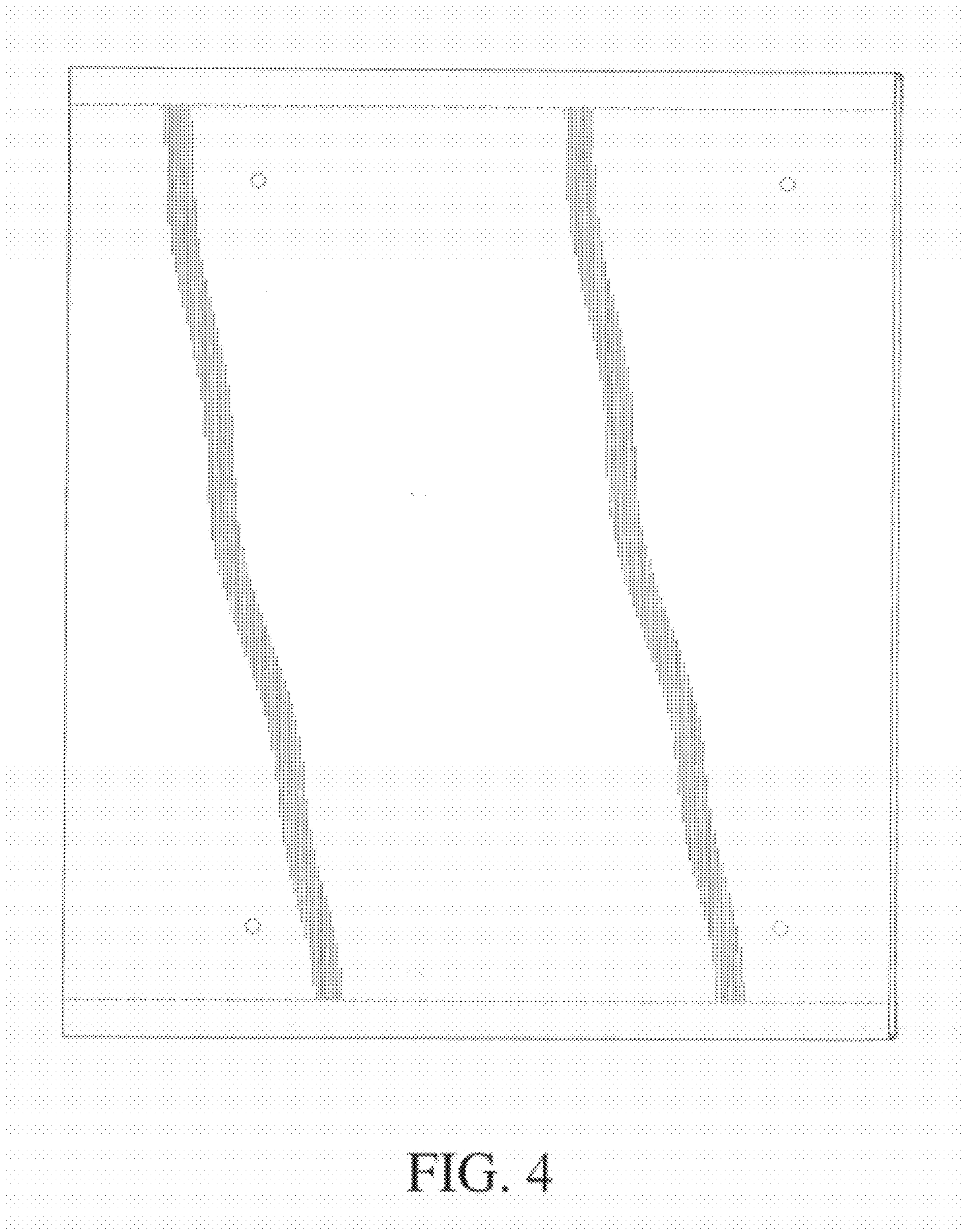


FIG. 4

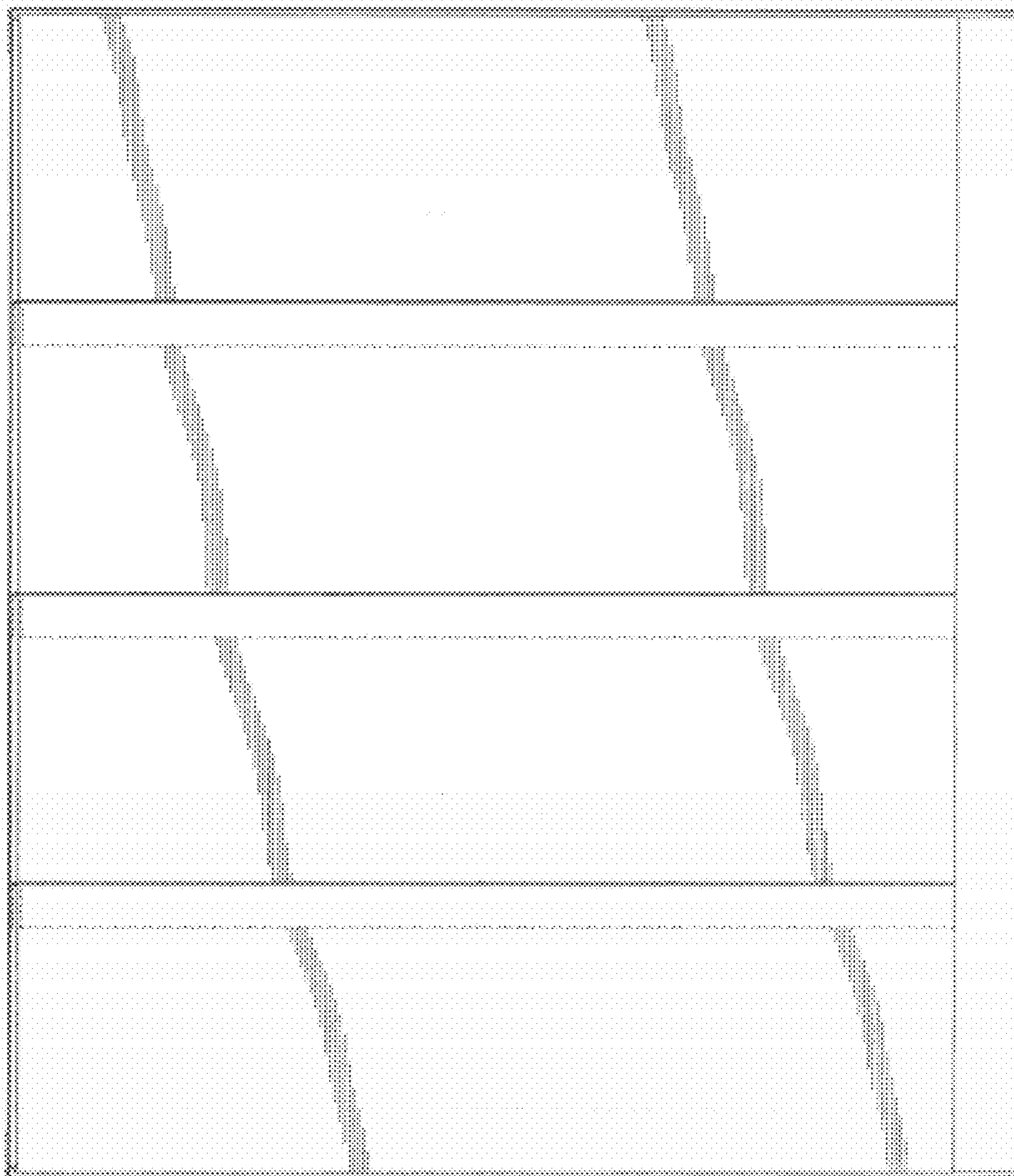


FIG. 5

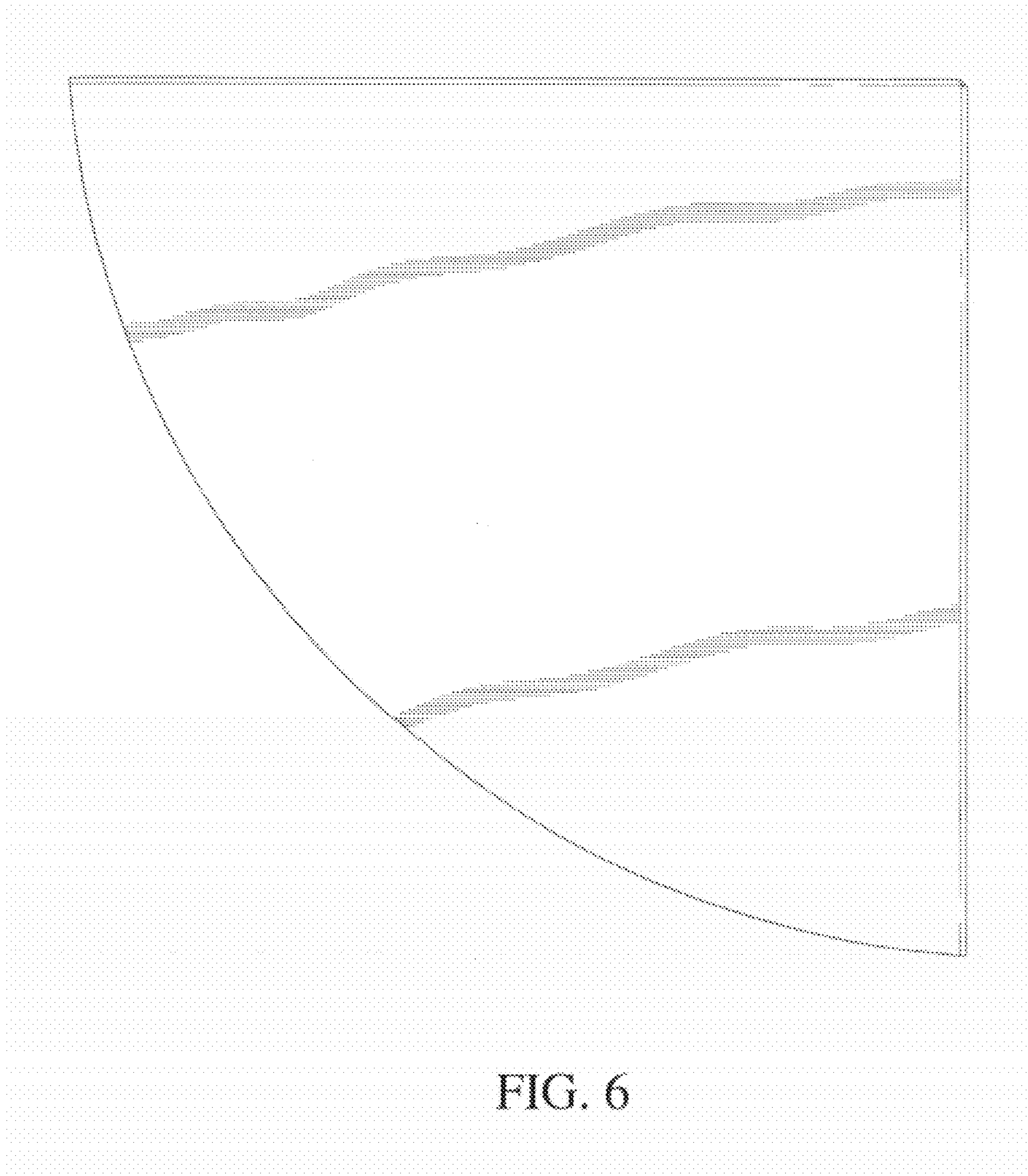


FIG. 6

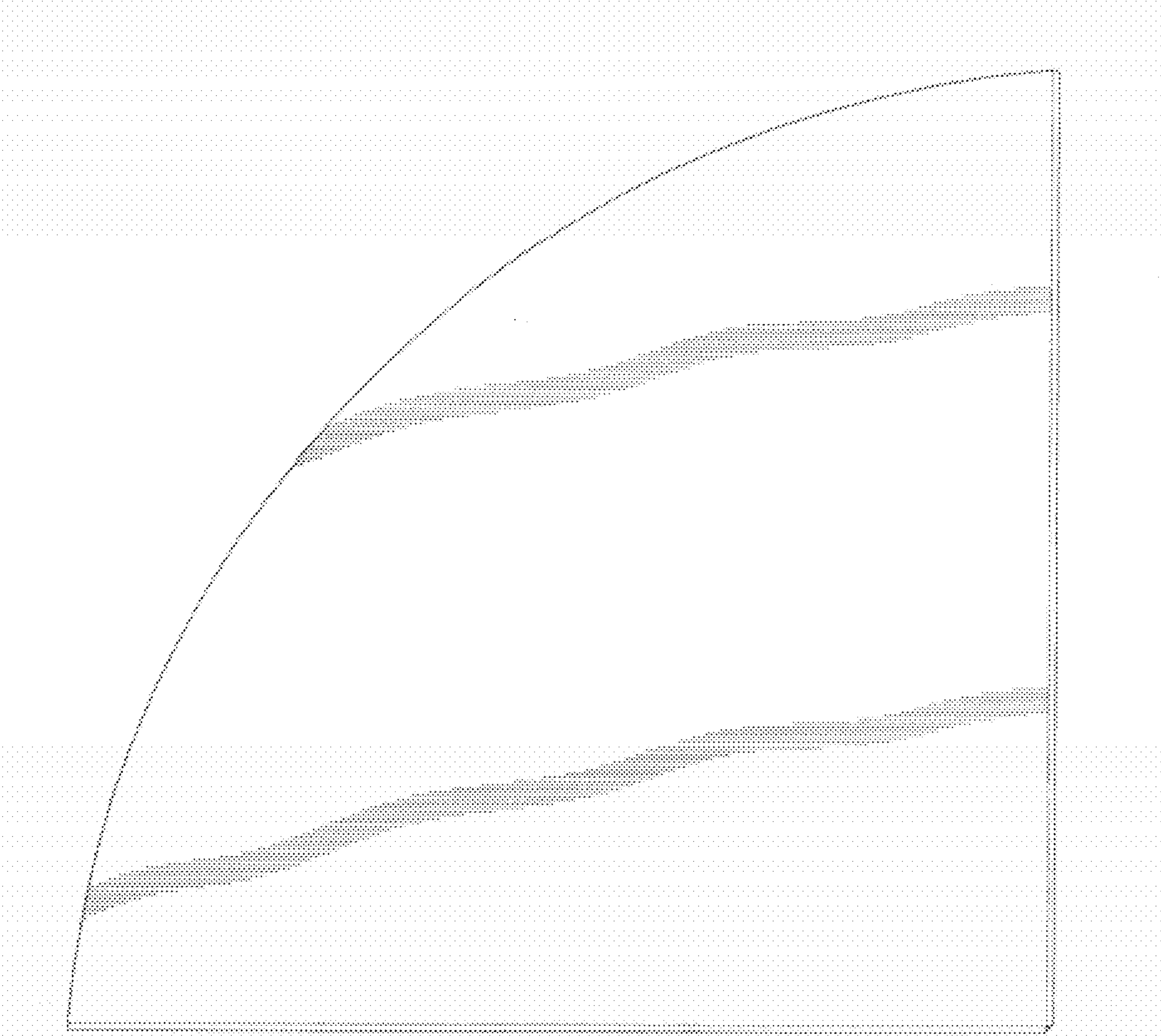


FIG. 7

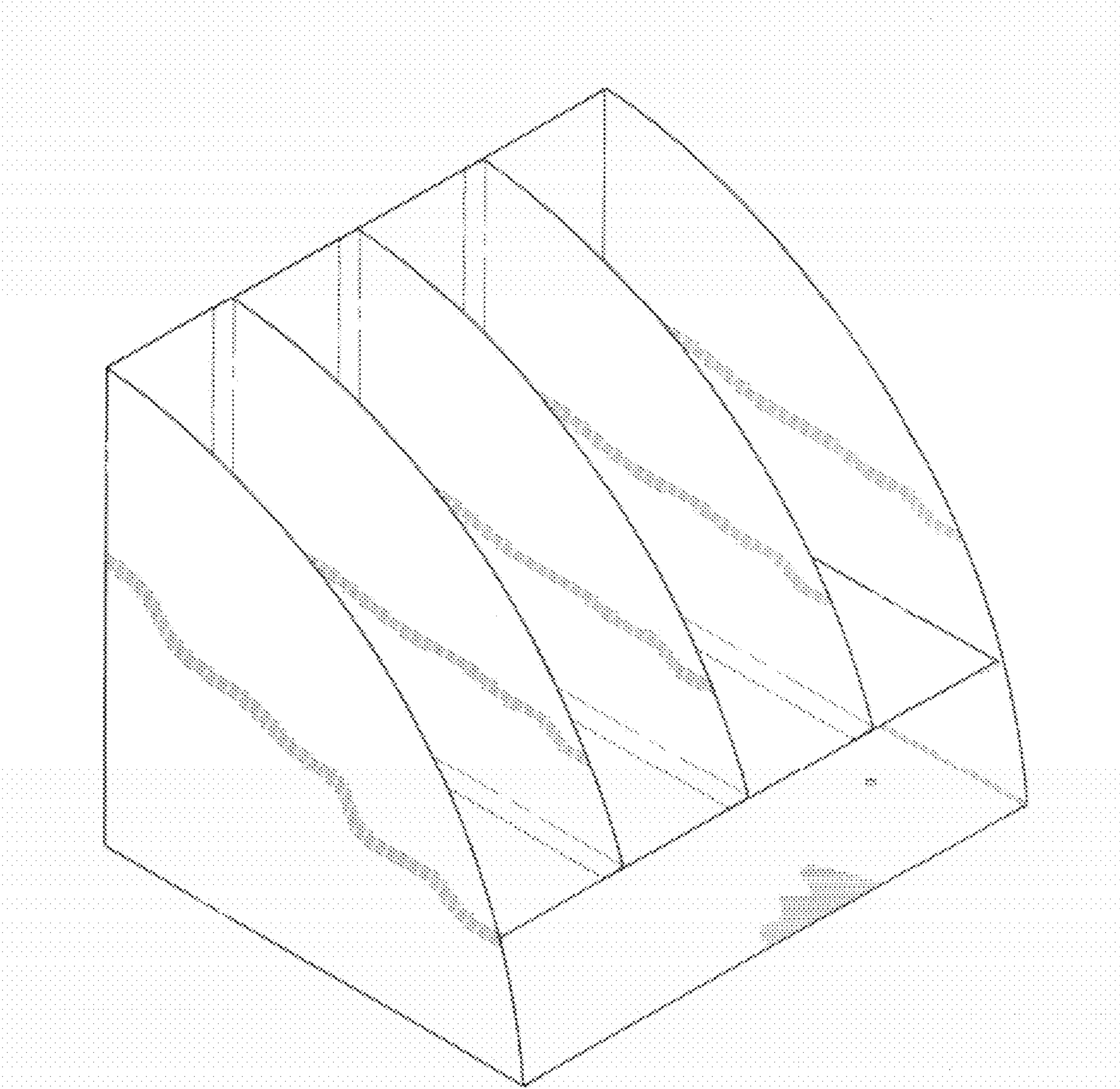


FIG. 8

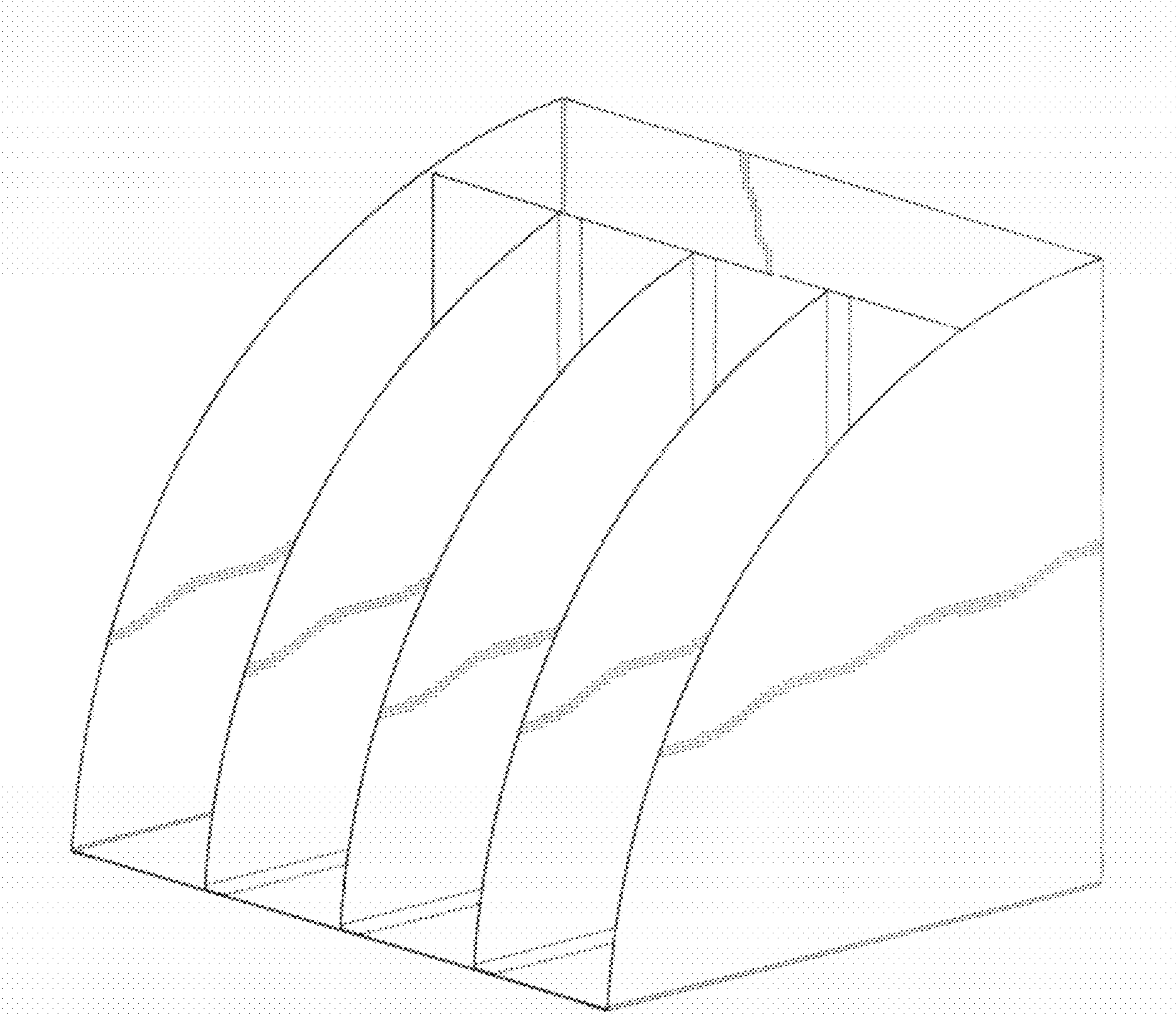


FIG. 9

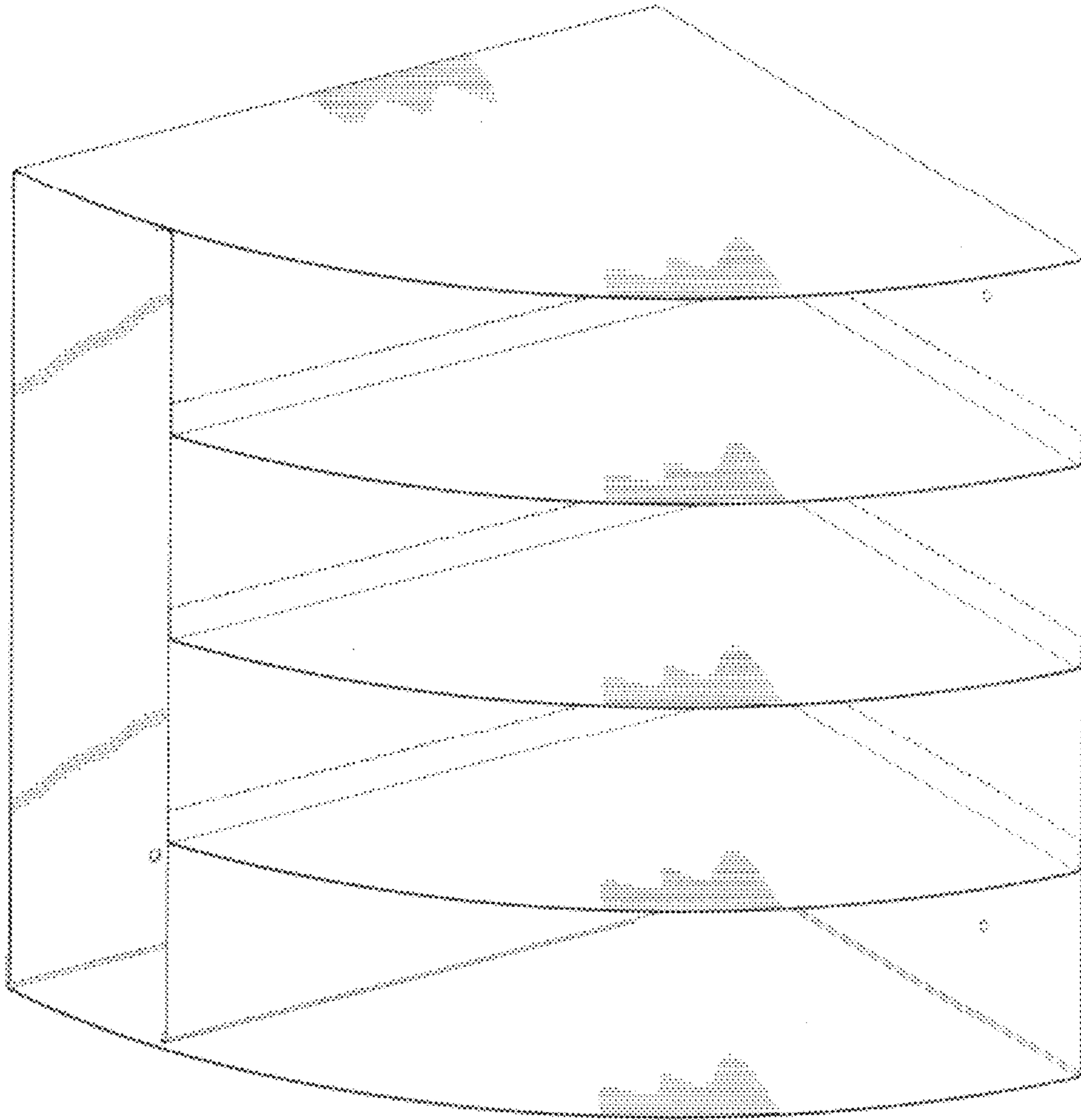


FIG. 10