



US00D670933S

(12) **United States Design Patent**
Tapper

(10) **Patent No.:** **US D670,933 S**

(45) **Date of Patent:** **** Nov. 20, 2012**

(54) **24 COUNT CUPCAKE DISPLAY KIT**

(75) Inventor: **Laura J. Tapper**, Dallas, TX (US)

(73) Assignee: **Simply Social, LLC**, Dallas, TX (US)

(**) Term: **14 Years**

(21) Appl. No.: **29/411,140**

(22) Filed: **Jan. 17, 2012**

Related U.S. Application Data

(63) Continuation-in-part of application No. 29/355,031, filed on Feb. 1, 2010.

(51) **LOC (9) Cl.** **06-04**

(52) **U.S. Cl.** **D6/449**

(58) **Field of Classification Search** D6/449;
D7/610, 323, 354-361, 417, 505, 513, 540-546,
D7/550.1, 551, 552.1, 553.1, 553.4-553.8,
D7/554.3, 555, 584, 586; D9/414, 456, 754,
D9/756; 220/574, 600-60, 610, 669, 672-675,
220/912, 23.83; 206/769, 497, 223, 499,
206/493; 426/115, 124; 52/136

See application file for complete search history.

(56) **References Cited**

U.S. PATENT DOCUMENTS

D255,085 S 5/1980 Free et al.

(Continued)

Primary Examiner — Philip S Hyder

Assistant Examiner — Sydney Buffalow

(57) **CLAIM**

The ornamental design for a 24 count cupcake display kit, as shown and described.

DESCRIPTION

FIG. 1 is a top view of the cupcake insert illustrating the cupcake holes extending through the top surface of the cupcake insert;

FIG. 2 is a side view of the cupcake insert;
FIG. 3 is an end view of the cupcake insert;
FIG. 4 is a perspective view of the cupcake tray;
FIG. 5 is a perspective view of the cupcake insert positioned in the cupcake tray illustrating cupcake holes extending through the top surface of the cupcake insert;
FIG. 6 is a top view of the cupcake box top having a transparent window in the top surface for viewing the contents thereof;

FIG. 7 is a perspective view of the cupcake box top having a transparent window in the top surface for viewing the contents thereof;

FIG. 8 is a top view of the cupcake box top positioned between the cupcake tray and cupcake insert, the cupcake box top includes a transparent window in the top surface for viewing the cupcake insert and illustrating cupcake holes extending through the top surface of the cupcake insert making the interior surface of the cupcake tray visible through the cupcake holes;

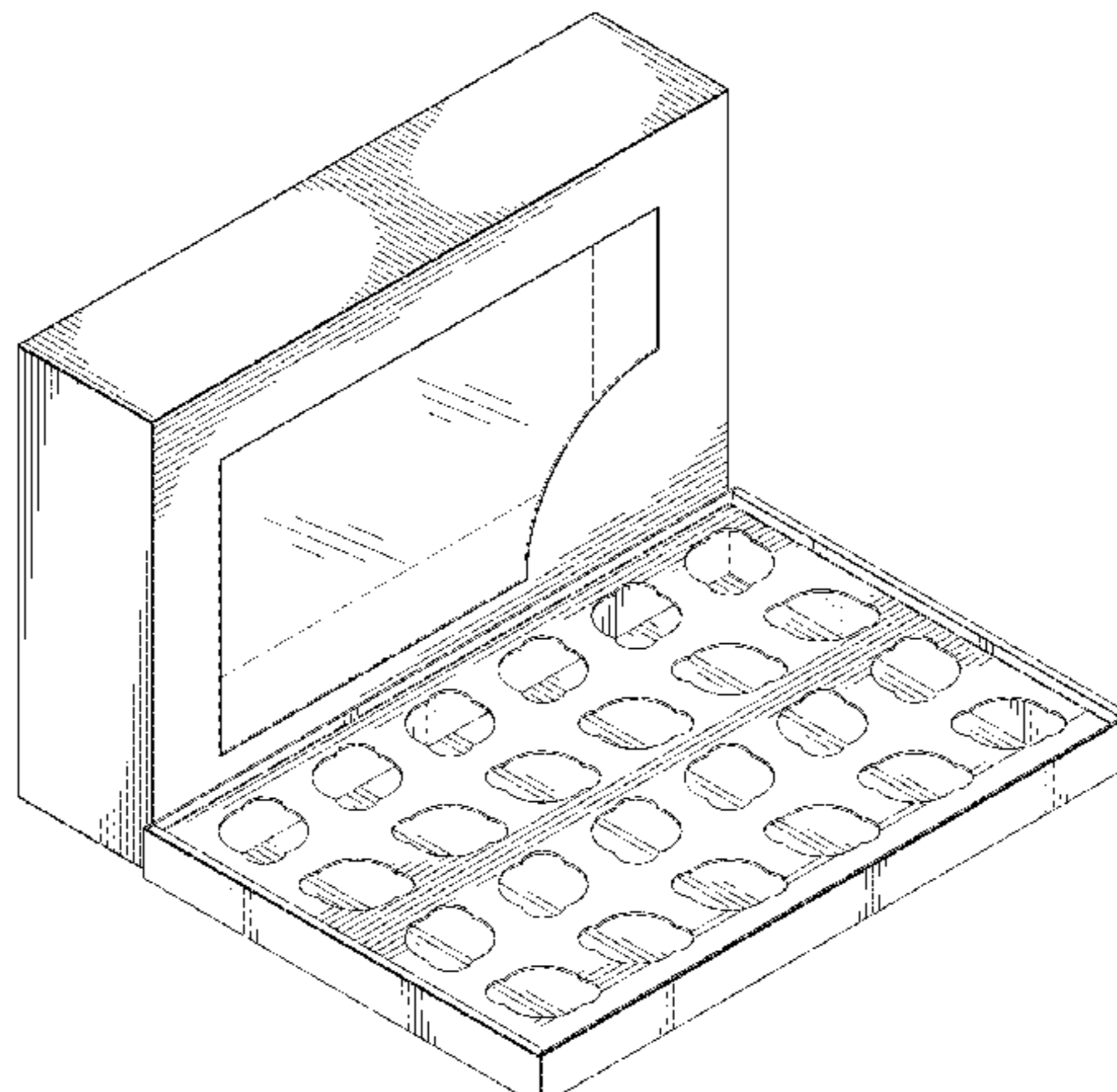
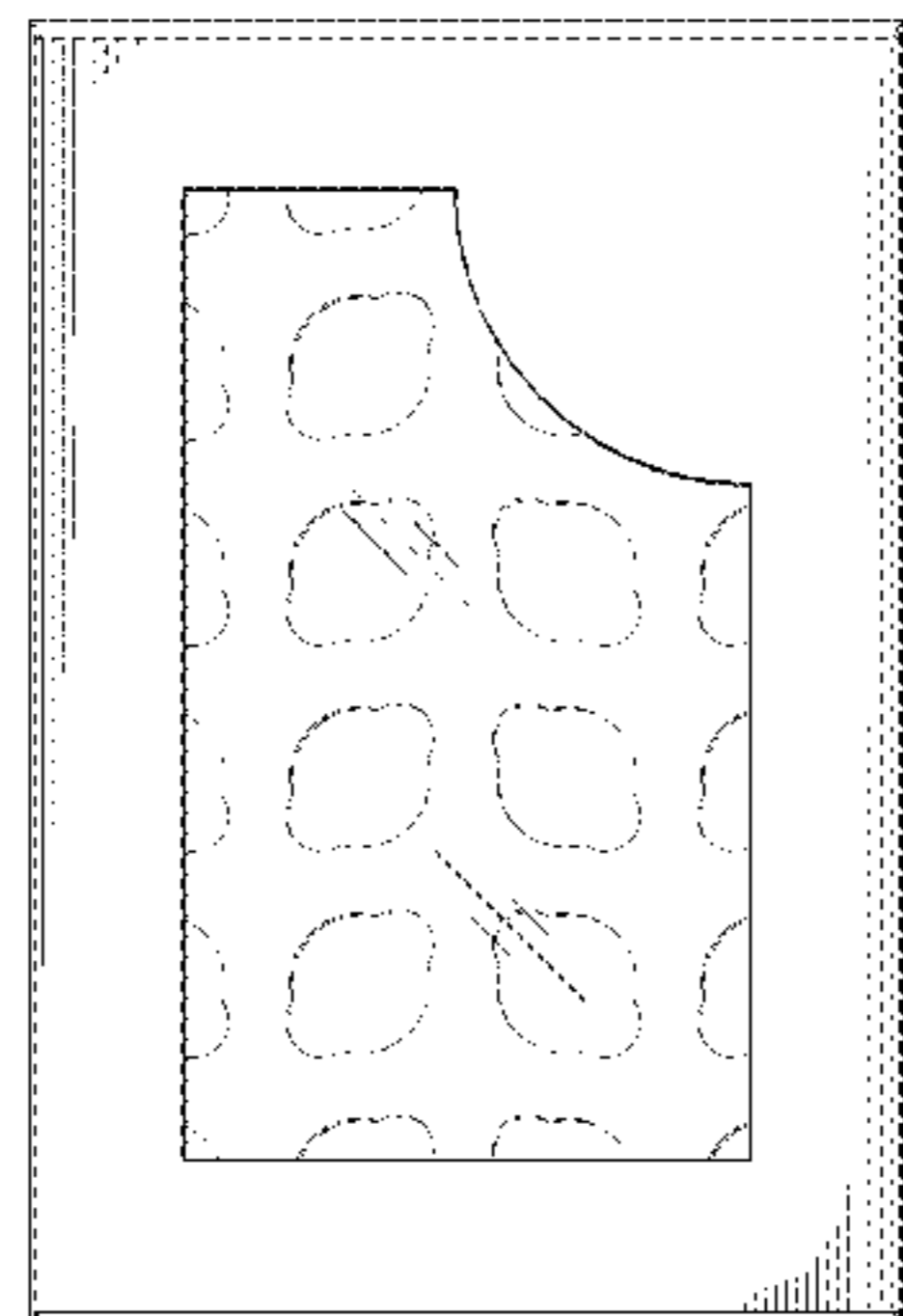
FIG. 9 is a perspective view of the cupcake box top inserted between the cupcake tray and cupcake insert, with the cupcake box top having a transparent window in the top surface for viewing the cupcake insert and visible are cupcake holes extending through the top surface of the cupcake insert making the interior surface of the cupcake tray visible through the cupcake holes;

FIG. 10 is a perspective view of the cupcake box top positioned alongside the cupcake tray wherein the cupcake box top includes a transparent window in the top surface and is positioned adjacent to the cupcake tray and the cupcake insert, visible in the figure are cupcake holes extending through the top surface of the cupcake insert making the interior surface of the cupcake tray visible through the cupcake holes; and,

FIG. 11 is a front view of the cupcake box top positioned behind the cupcake tray wherein the cupcake box top includes a transparent window in the top surface and is positioned adjacent to the cupcake tray and the cupcake insert.

The nature and intended use of the article in which the design is embodied is a 24 count cupcake display kit. The cupcake kit includes a low cupcake insert positioned in a low cupcake tray. A tall cupcake box top with a see through window is positioned in the low cupcake tray between the cupcake tray walls and the cupcake insert sides.

1 Claim, 6 Drawing Sheets



US D670,933 S

Page 2

U.S. PATENT DOCUMENTS

5,912,033	A	6/1999	Ferguson	6,186,351	B1	2/2001	Coyle
5,967,323	A	10/1999	Siragusa	6,318,030	B1	11/2001	McClure et al.
6,003,671	A	12/1999	McDonough et al.	6,450,341	B1	9/2002	Krupa et al.
D423,864	S	5/2000	Chang et al.	6,450,343	B1	9/2002	Arnaldi
6,146,673	A	11/2000	Ferguson	6,905,017	B1	6/2005	Sarnoff et al.
				D515,363	S	2/2006	Driggers et al.
				D553,902	S	10/2007	Barber

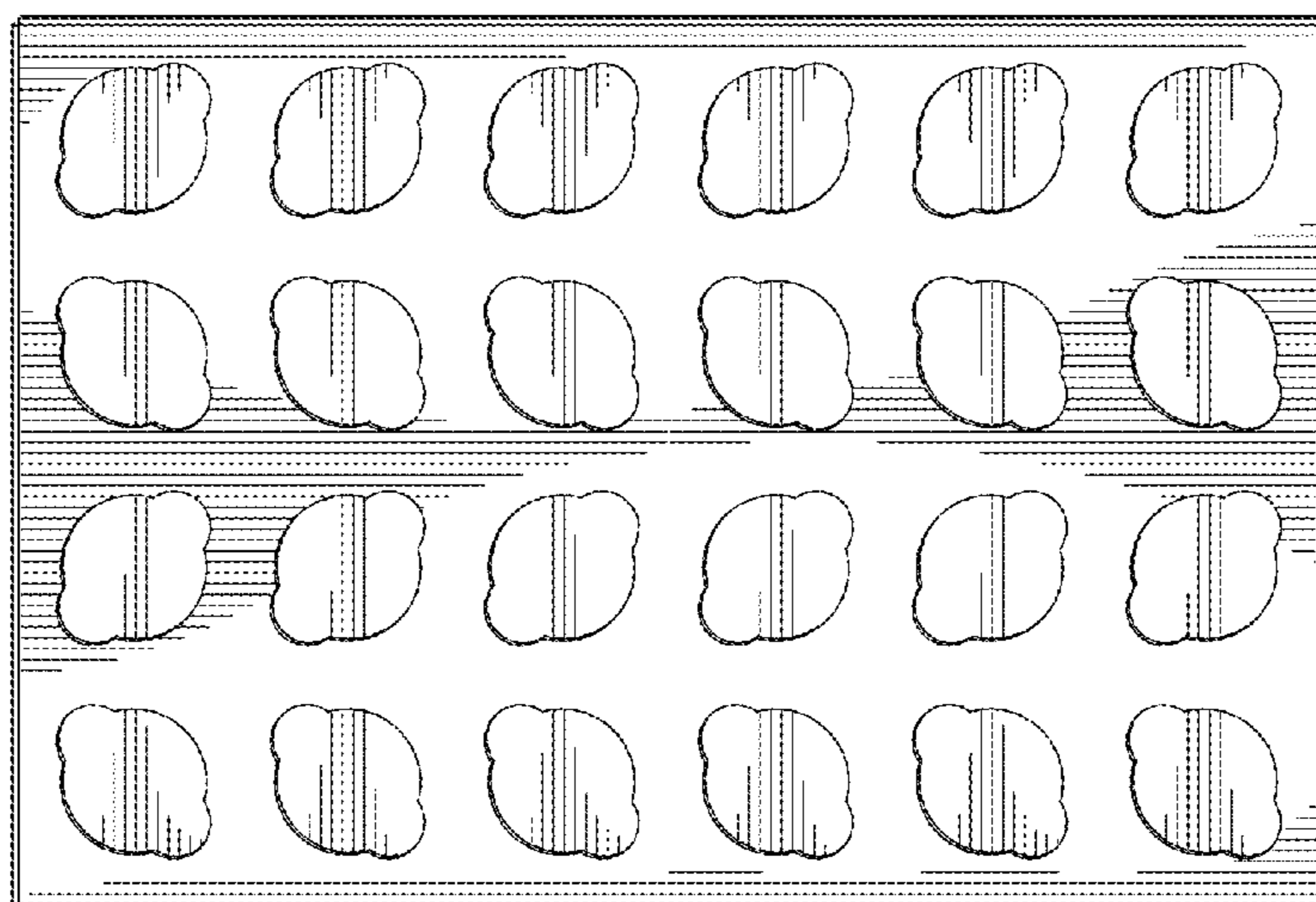


FIG. 1

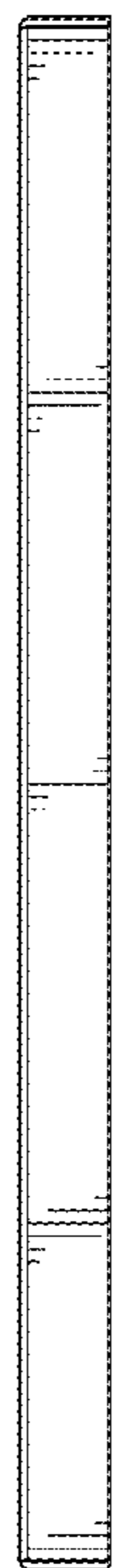


FIG. 2

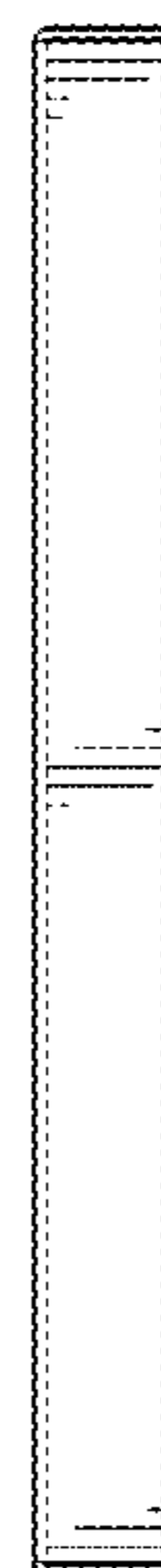


FIG. 3

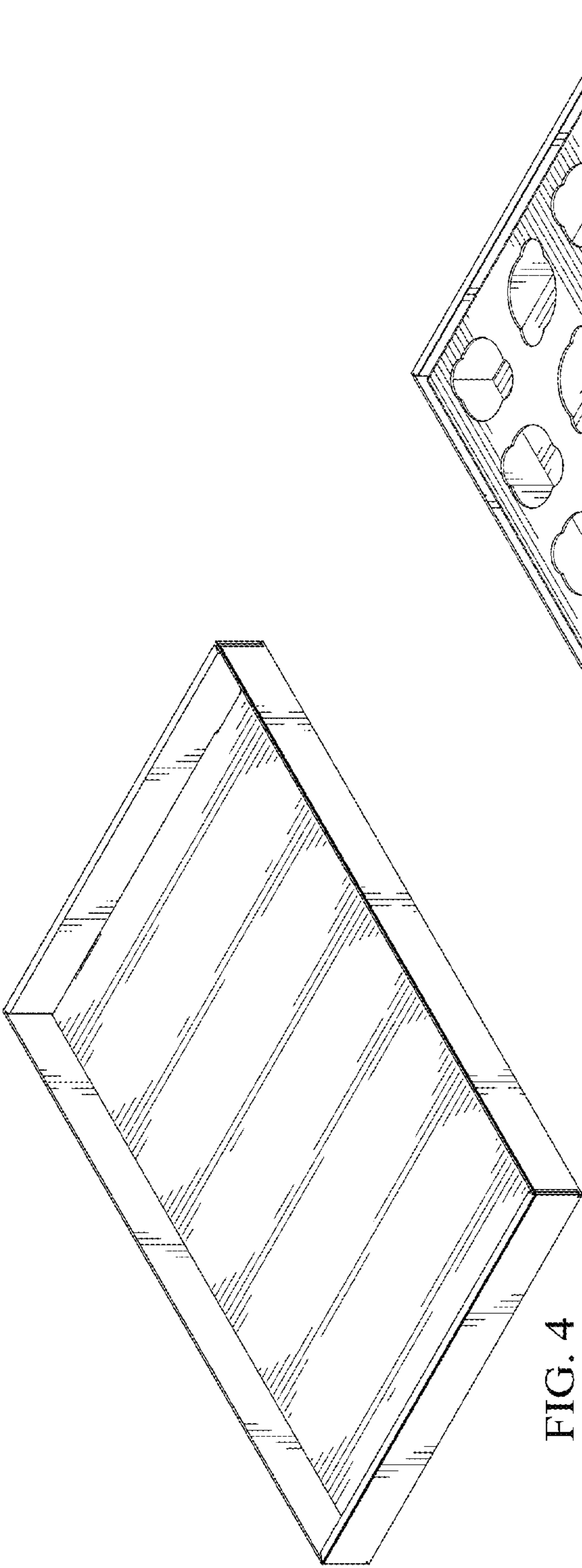


FIG. 4

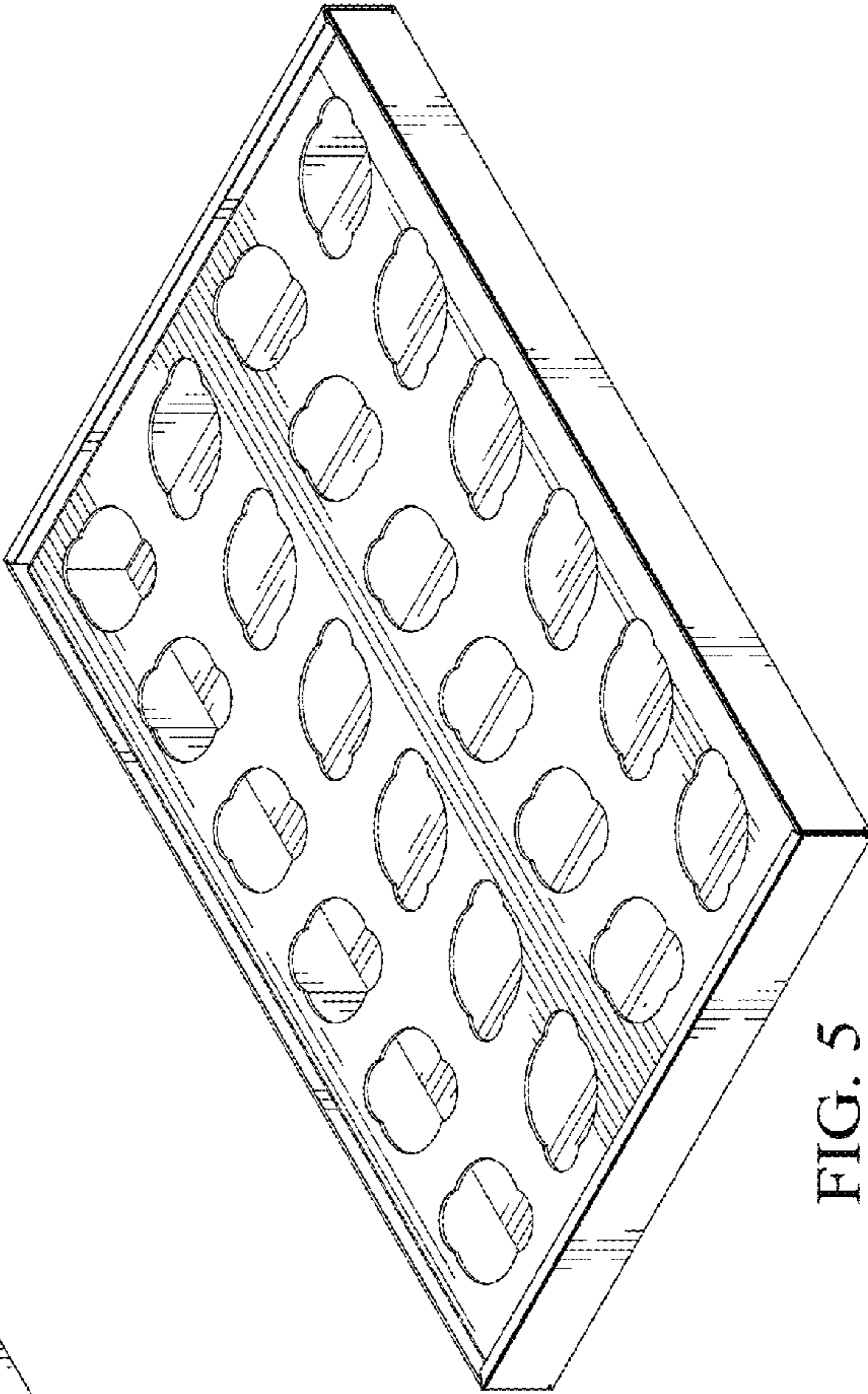
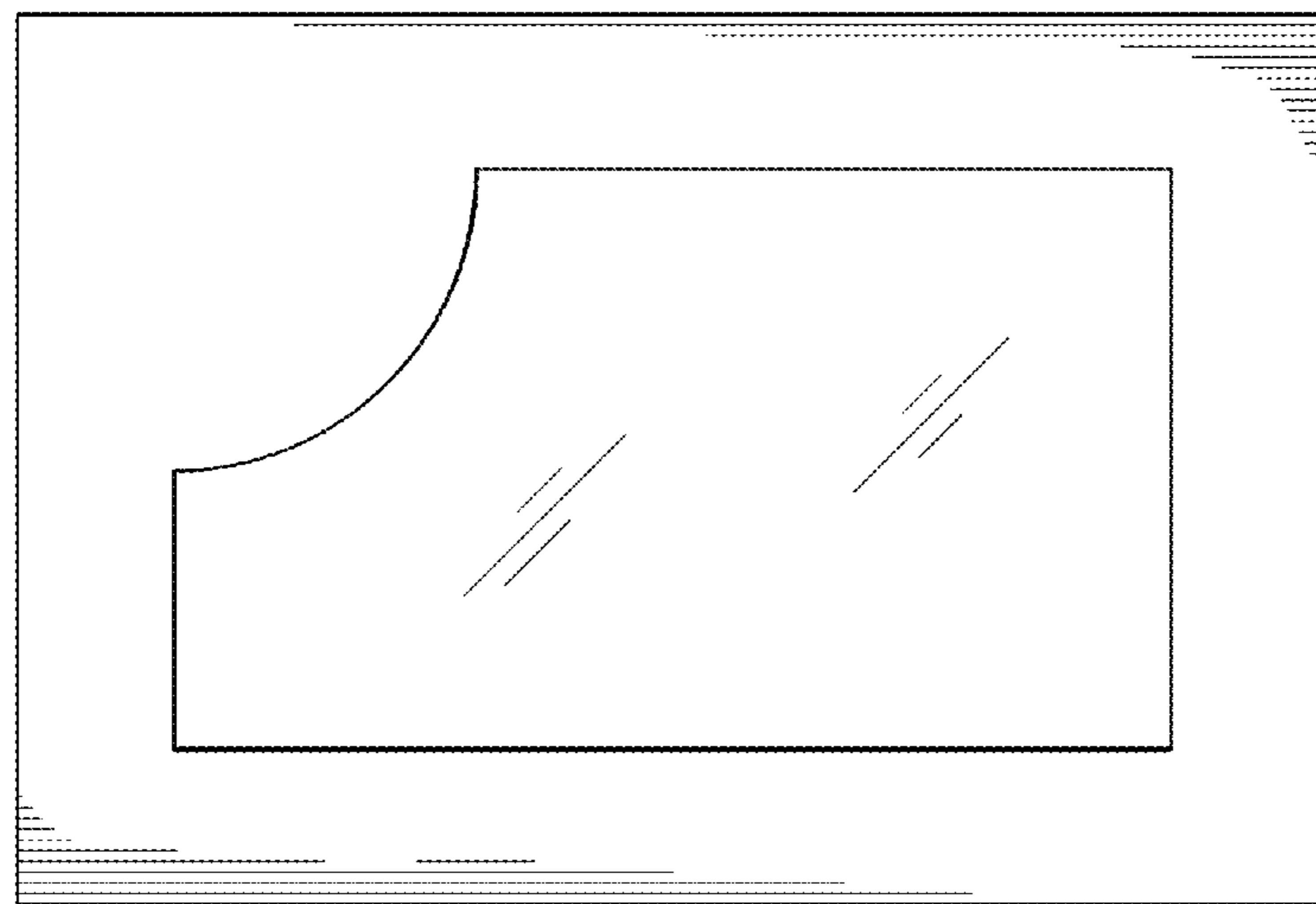
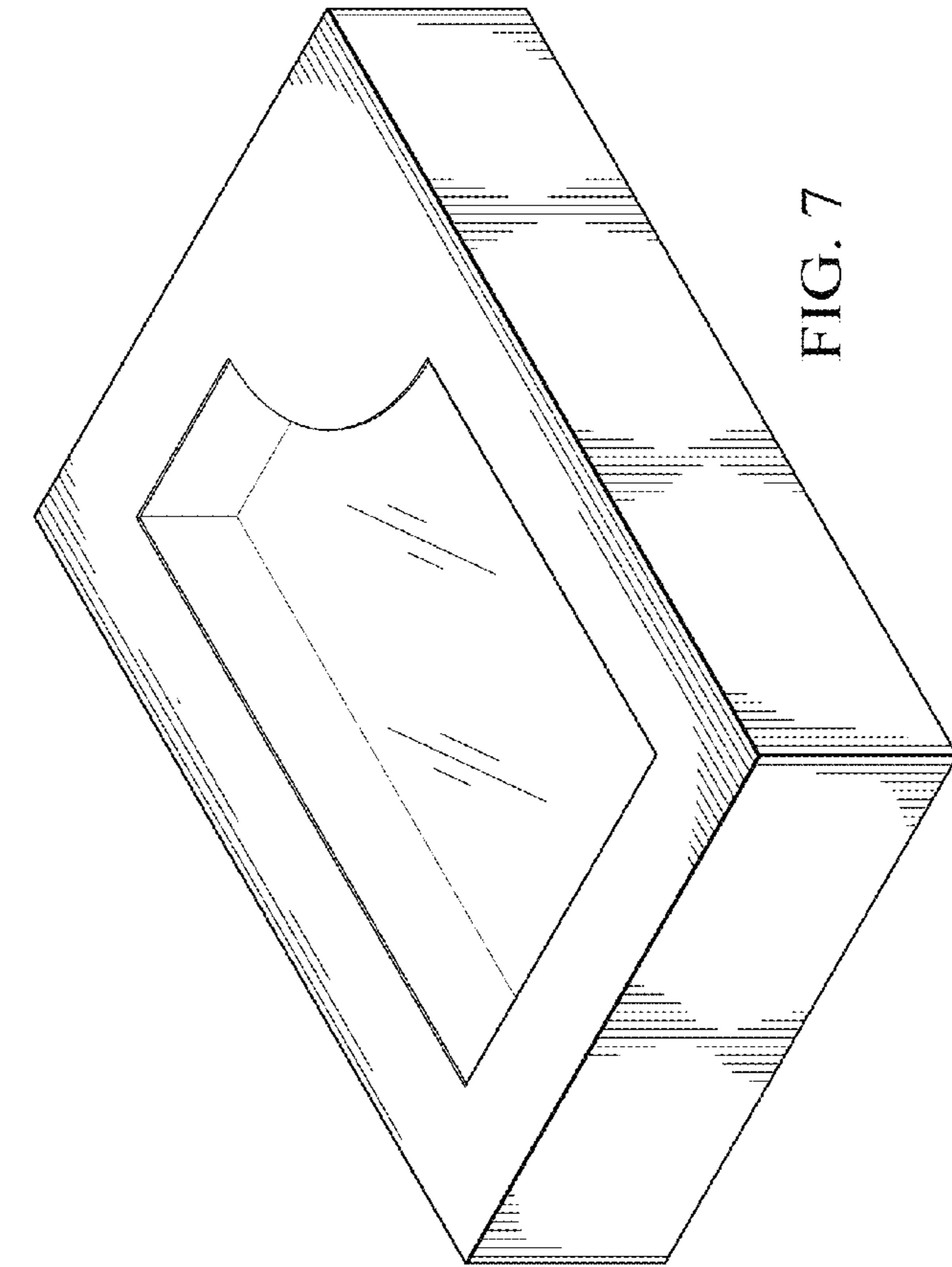


FIG. 5



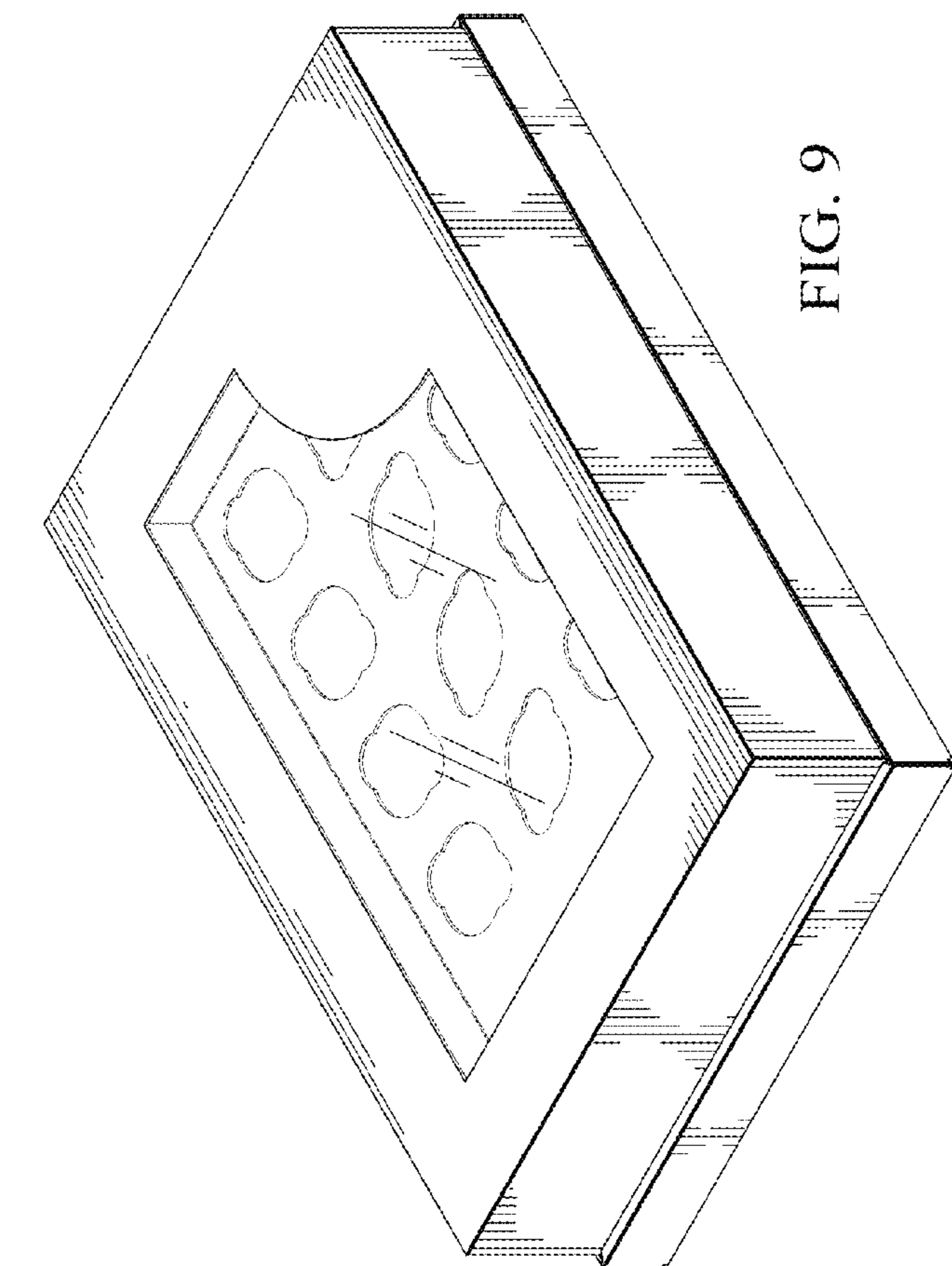


FIG. 9

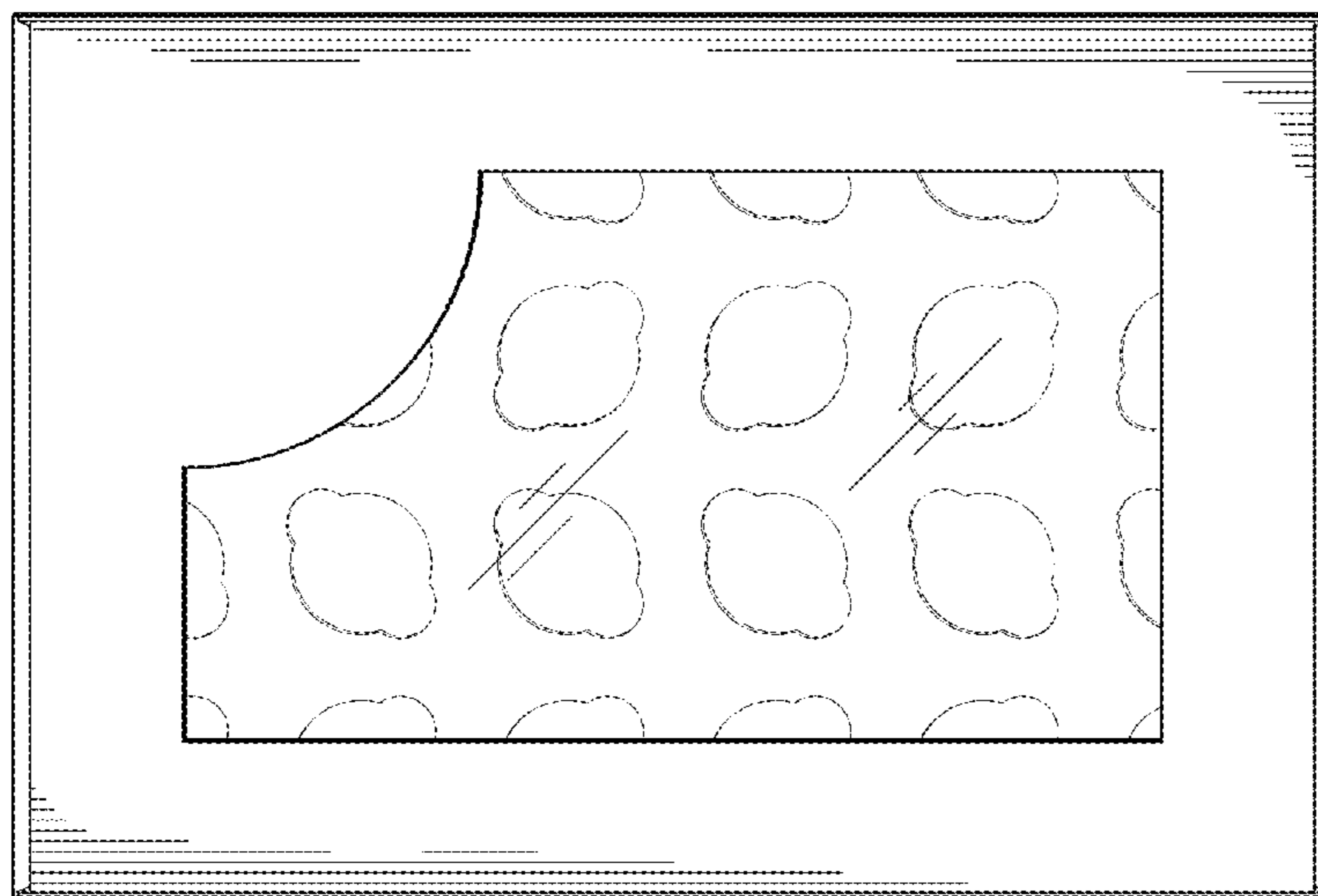


FIG. 8

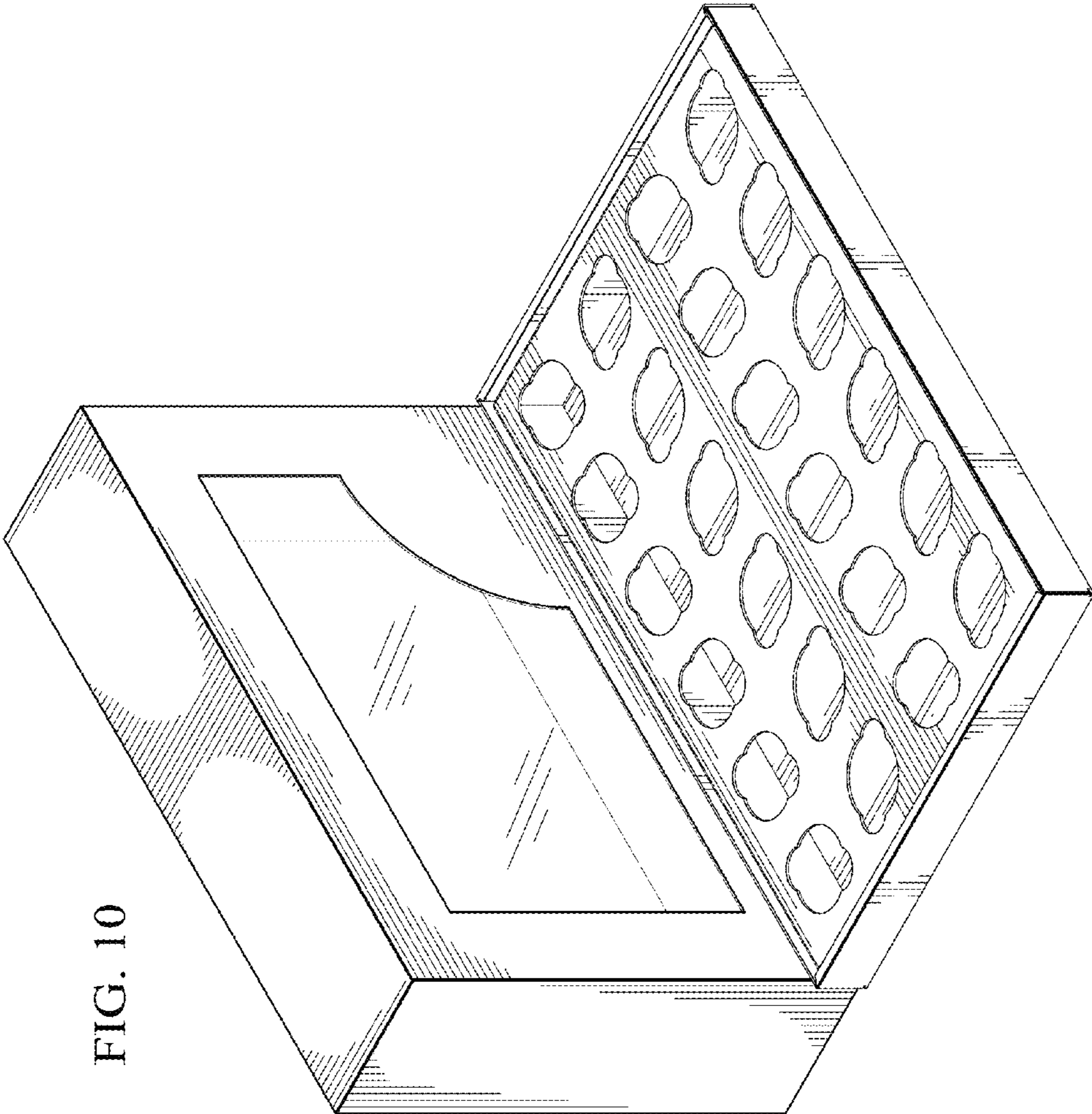


FIG. 10

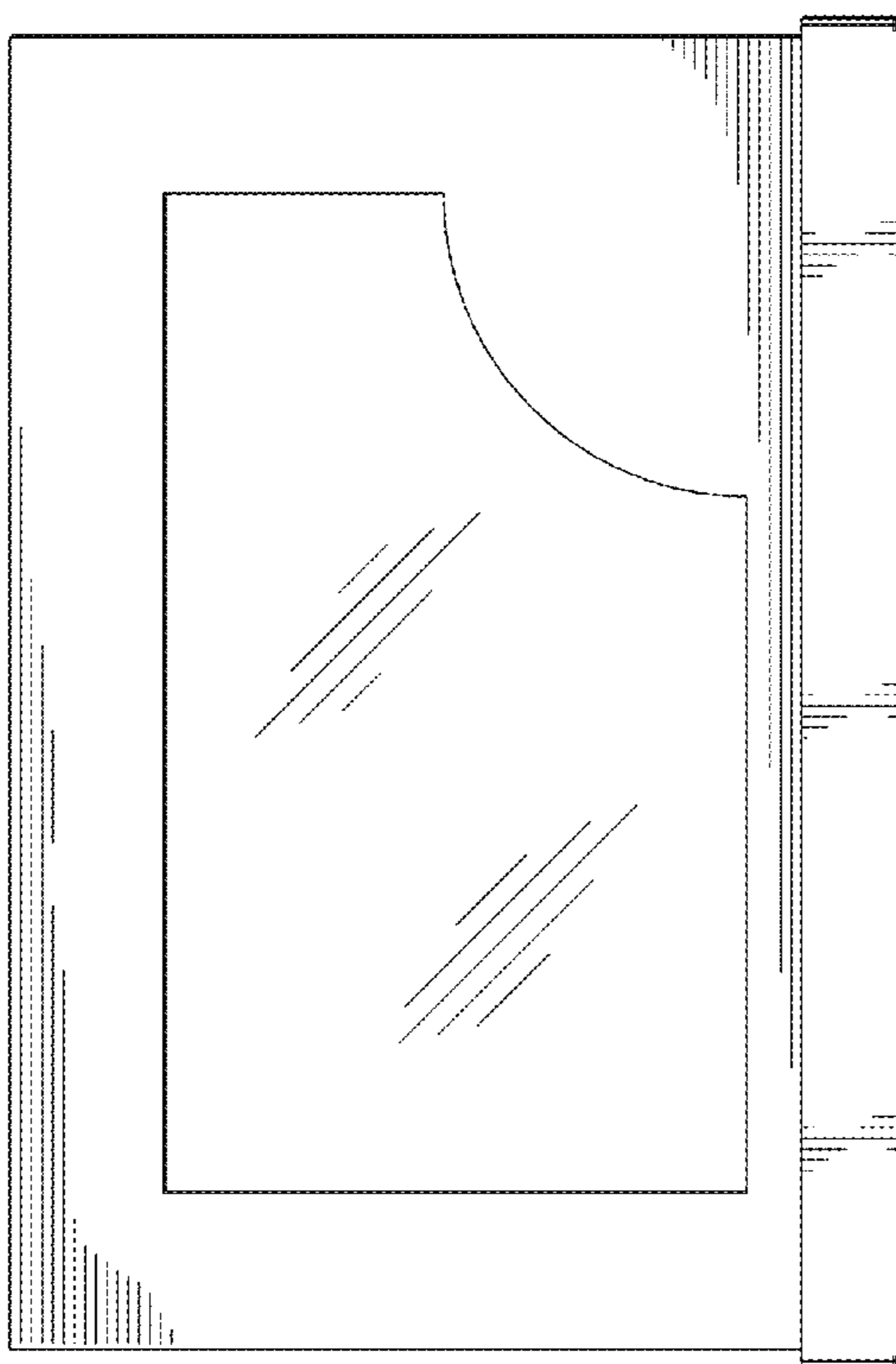


FIG. 11