



US00D670932S

(12) **United States Design Patent**  
**Tapper**

(10) **Patent No.:** **US D670,932 S**

(45) **Date of Patent:** **\*\* Nov. 20, 2012**

(54) **24 COUNT CUPCAKE DISPLAY KIT WITH DIVIDERS**

(75) Inventor: **Laura J. Tapper**, Dallas, TX (US)

(73) Assignee: **Simply Social, LLC**, Dallas, TX (US)

(\*\*) Term: **14 Years**

(21) Appl. No.: **29/408,623**

(22) Filed: **Dec. 14, 2011**

**Related U.S. Application Data**

(63) Continuation-in-part of application No. 29/355,033, filed on Feb. 1, 2010.

(51) **LOC (9) Cl.** ..... **06-07**

(52) **U.S. Cl.** ..... **D6/449**

(58) **Field of Classification Search** ..... D6/449;  
D7/610, 323, 354-361, 417, 505, 513, 540-546,  
D7/550.1, 551, 552.1, 553.1, 553.4-553.8,  
D7/554.3, 555, 584, 586; D9/414, 456, 754,  
D9/756; 220/574, 600-60, 610, 669, 672-675,  
220/912, 23.83; 206/769, 497, 223, 499,  
206/493; 426/115, 124; 52/136

See application file for complete search history.

(56) **References Cited**

**U.S. PATENT DOCUMENTS**

|           |    |   |         |                  |       |           |
|-----------|----|---|---------|------------------|-------|-----------|
| D255,085  | S  | * | 5/1980  | Free et al.      | ..... | D7/368    |
| 5,912,033 | A  | * | 6/1999  | Ferguson         | ..... | 426/124   |
| 5,967,323 | A  | * | 10/1999 | Siragusa         | ..... | 206/499   |
| 6,003,671 | A  | * | 12/1999 | McDonough et al. | ..... | 206/493   |
| D423,864  | S  | * | 5/2000  | Chang et al.     | ..... | D7/323    |
| 6,146,673 | A  | * | 11/2000 | Ferguson         | ..... | 426/115   |
| 6,186,351 | B1 | * | 2/2001  | Coyle            | ..... | 220/23.83 |
| 6,318,030 | B1 | * | 11/2001 | McClure et al.   | ..... | 52/136    |
| 6,450,341 | B1 | * | 9/2002  | Krupa et al.     | ..... | 206/497   |
| 6,450,343 | B1 | * | 9/2002  | Arnaldi          | ..... | 206/769   |
| 6,905,017 | B1 | * | 6/2005  | Sarnoff et al.   | ..... | 206/223   |
| D515,363  | S  | * | 2/2006  | Driggers et al.  | ..... | D7/610    |
| D553,902  | S  | * | 10/2007 | Barber           | ..... | D7/357    |
| D559,613  | S  | * | 1/2008  | DeMirjian, III   | ..... | D7/357    |

|          |   |   |        |                |       |        |
|----------|---|---|--------|----------------|-------|--------|
| D569,677 | S | * | 5/2008 | Poon           | ..... | D7/357 |
| D574,182 | S | * | 8/2008 | Shannon et al. | ..... | D7/357 |
| D596,447 | S | * | 7/2009 | Cubillos       | ..... | D7/357 |

\* cited by examiner

*Primary Examiner* — Philip S Hyder  
*Assistant Examiner* — Sydney Buffalow

(57) **CLAIM**

The ornamental design for a 24 count cupcake display kit with dividers, as shown and described.

**DESCRIPTION**

FIG. 1 is a top view of the cupcake insert illustrating the cupcake holes extending through the top surface of the cupcake insert and decorative dividers positioned between the cupcake holes and extending from the surface of the cupcake insert, wherein the unclaimed upper edge is depicted in broken line form;

FIG. 2 is a side view of the cupcake insert and decorative dividers positioned between the cupcake holes and extending from the surface of the cupcake insert, wherein the unclaimed upper edge is depicted in broken line form;

FIG. 3 is a side view of the cupcake insert and decorative dividers positioned between the cupcake holes and extending from the surface of the cupcake insert;

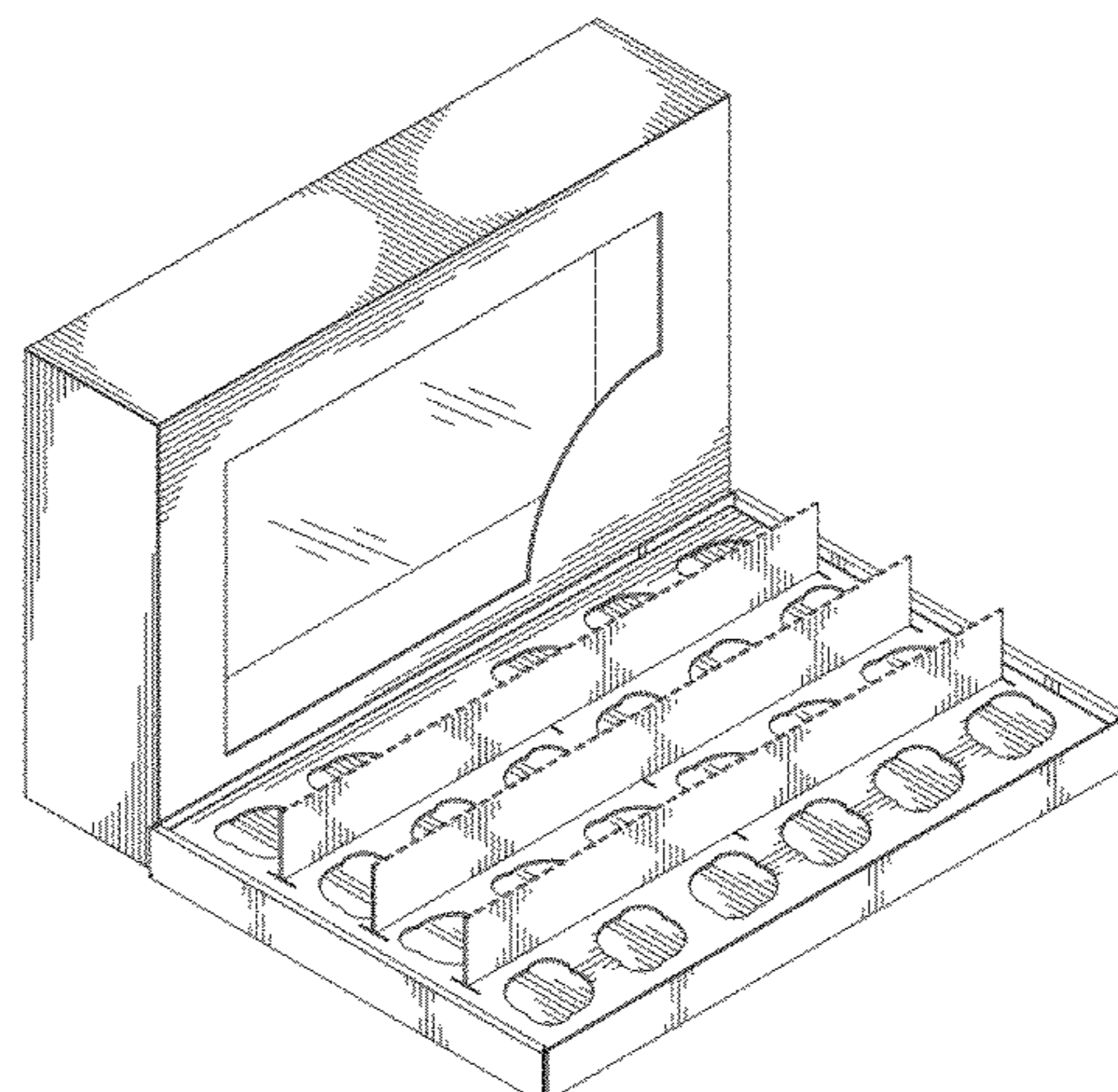
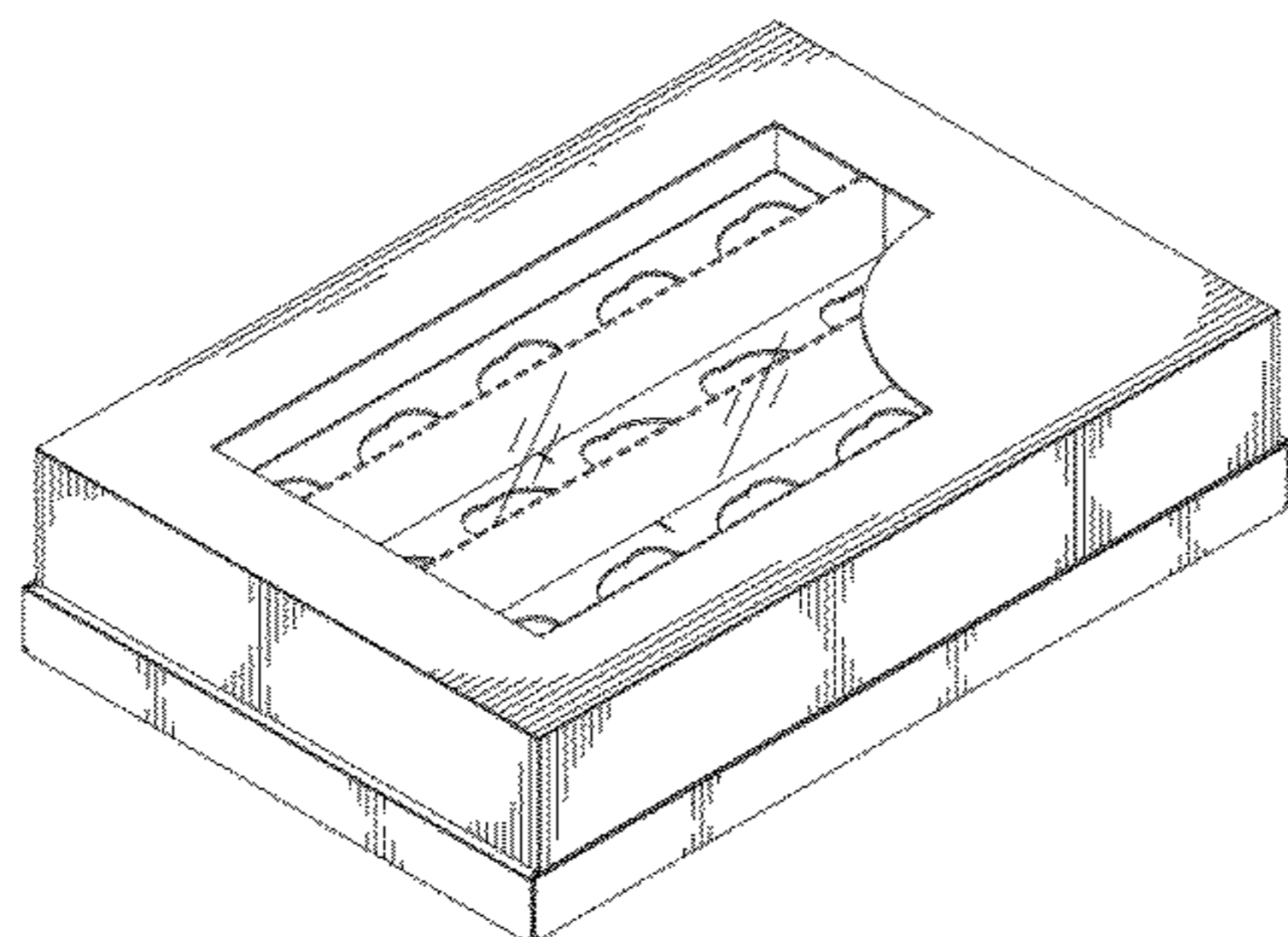
FIG. 4 is a perspective view of the cupcake tray;

FIG. 5 is a perspective view of the cupcake insert positioned in the cupcake tray illustrating cupcake holes extending through the top surface of the cupcake insert and the decorative dividers positioned between the cupcake holes and extending from the surface of the cupcake insert, wherein the unclaimed upper edge is depicted in broken line form;

FIG. 6 is a top view of the cupcake box top having a transparent window in the top surface for viewing the contents thereof;

FIG. 7 is a perspective view of the cupcake box top having a transparent window in the top surface for viewing the contents thereof;

FIG. 8 is a top view of the cupcake box top positioned between the cupcake tray and cupcake insert, the cupcake box top includes a transparent window in the top surface for viewing the cupcake insert and illustrating cupcake holes



extending through the top surface of the cupcake insert making the interior surface of the cupcake tray visible through the cupcake holes and decorative dividers positioned between the cupcake holes and extending from the surface of the cupcake insert, wherein the unclaimed upper edge is depicted in broken line form;

FIG. 9 is a perspective view of the cupcake box top inserted between the cupcake tray and cupcake insert, with the cupcake box top having a transparent window in the top surface for viewing the cupcake insert and visible are cupcake holes extending through the top surface of the cupcake insert making the interior surface of the cupcake tray visible through the cupcake holes and decorative dividers positioned between the cupcake holes and extending from the surface of the cupcake insert, wherein the unclaimed upper edge is depicted in broken line form;

FIG. 10 is a perspective view of the cupcake box top positioned along side the cupcake tray wherein the cupcake box top includes a transparent window in the top surface and is positioned adjacent to the cupcake tray and the cupcake insert, visible in the figure are cupcake holes extending through the top surface of the cupcake insert making the

interior surface of the cupcake tray visible through the cupcake holes and decorative dividers positioned between the cupcake holes and extending from the surface of the cupcake insert, wherein the unclaimed upper edge is depicted in broken line form;

FIG. 11 is a front view of the cupcake box top positioned along side the cupcake tray wherein the cupcake box top includes a transparent window in the top surface and is positioned adjacent to the cupcake tray and the cupcake insert, wherein the unclaimed upper edge is depicted in broken line form; and,

FIG. 12 is a side view of the one divider, shown separately for the ease of illustration, wherein the unclaimed wherein the unclaimed upper edges are depicted in broken line form.

The nature and intended use of the article in which the design is embodied is a 24 count cupcake display kit with dividers. The cupcake kit includes a low cupcake insert positioned in a low cupcake tray. A tall cupcake box top with a see through window is positioned in the low cupcake tray between the cupcake tray walls and the cupcake insert sides.

**1 Claim, 7 Drawing Sheets**

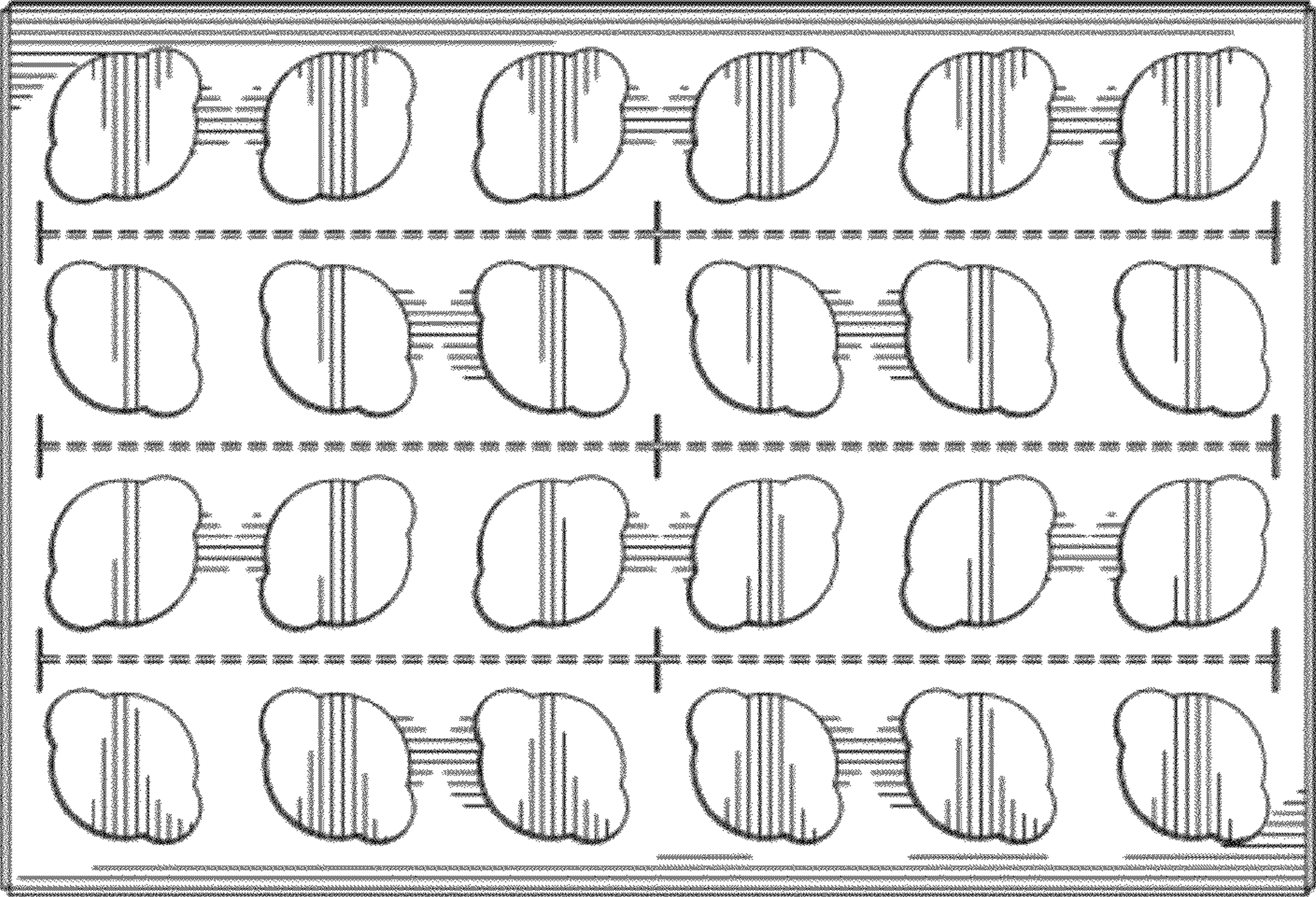


FIG. 1

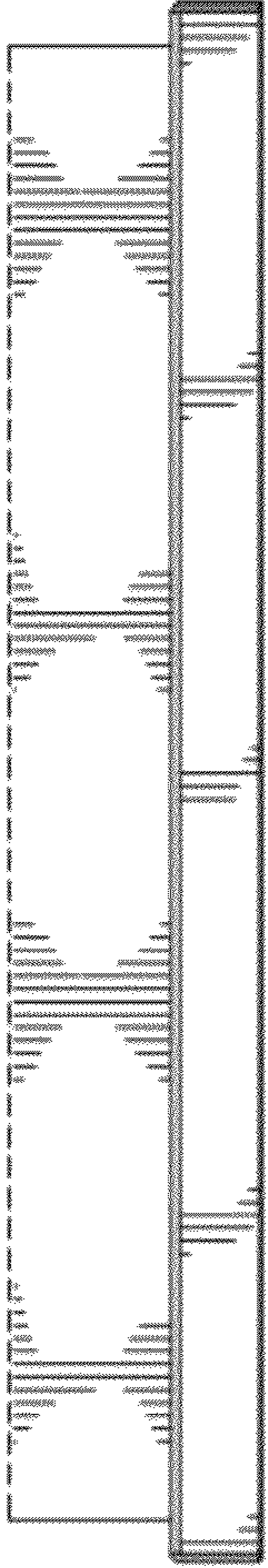


FIG. 2

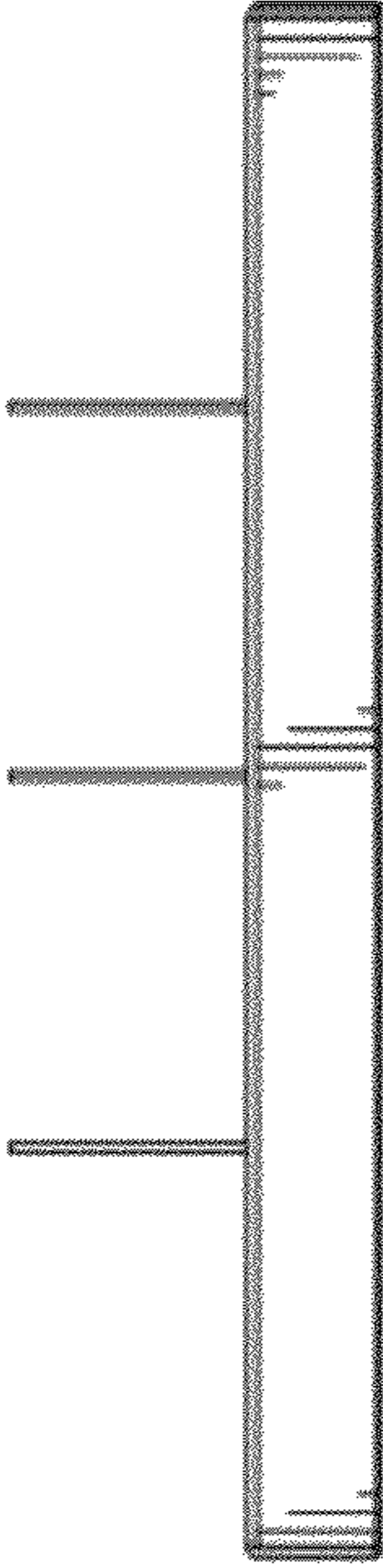


FIG. 3

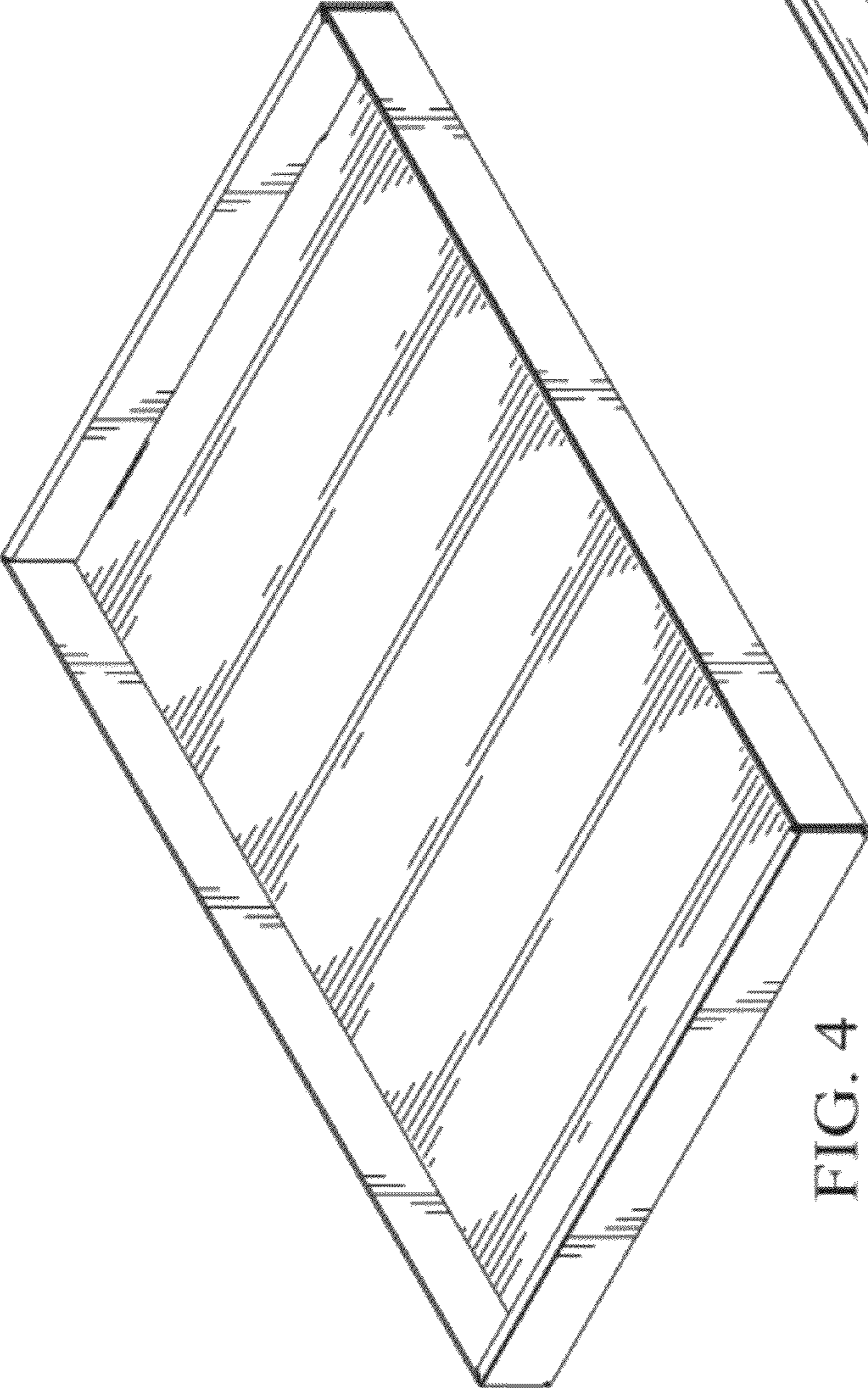


FIG. 4

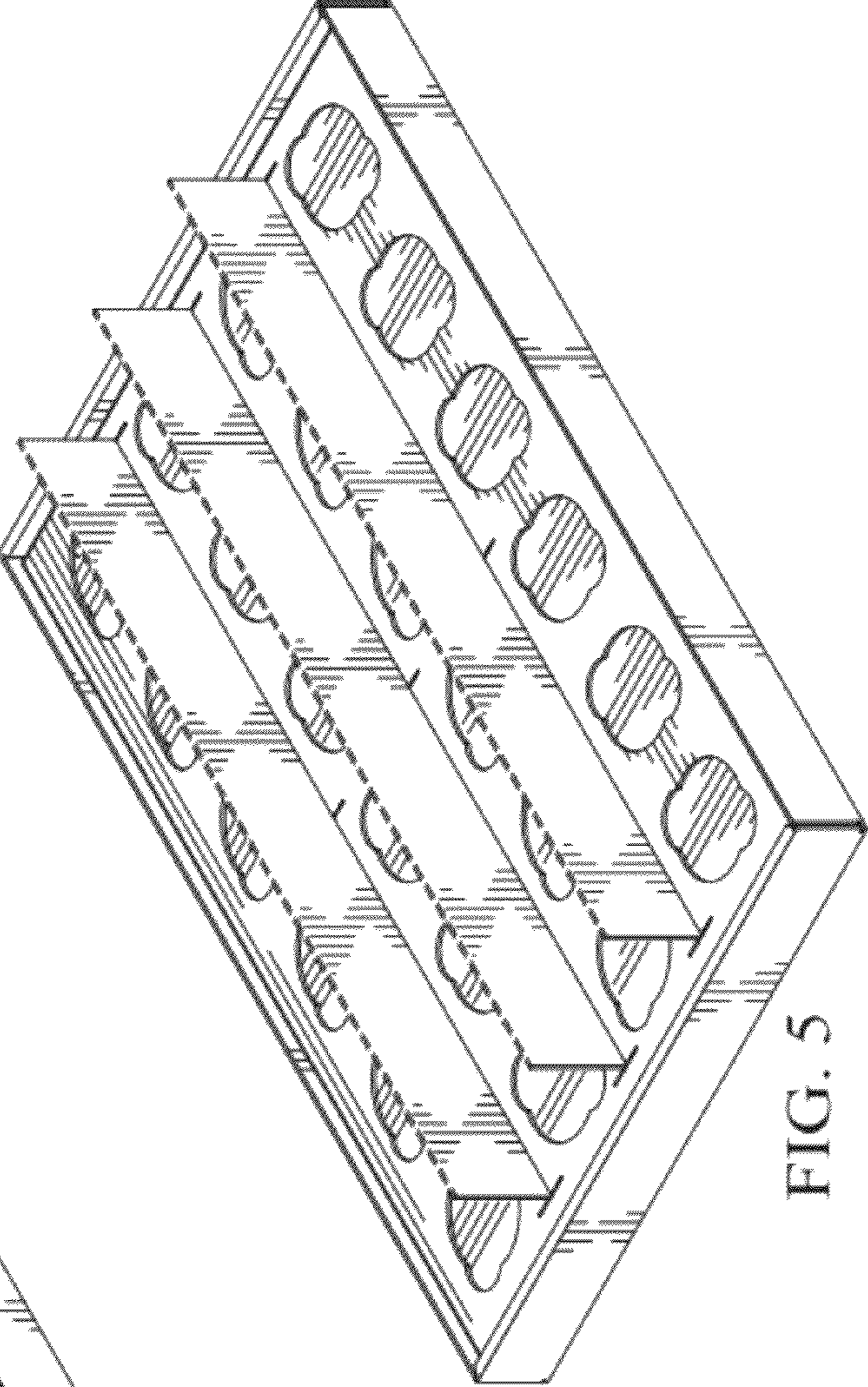


FIG. 5

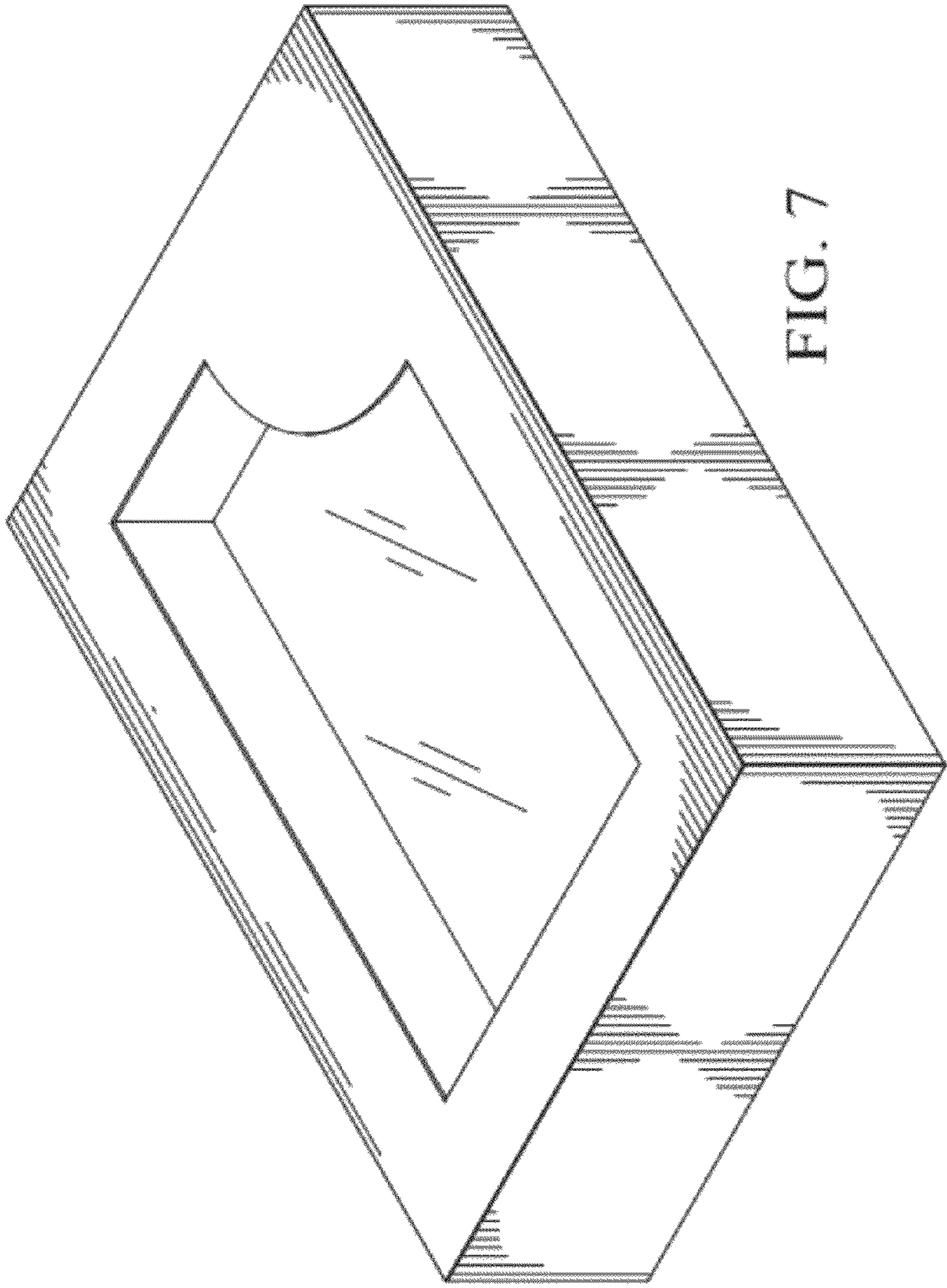


FIG. 7

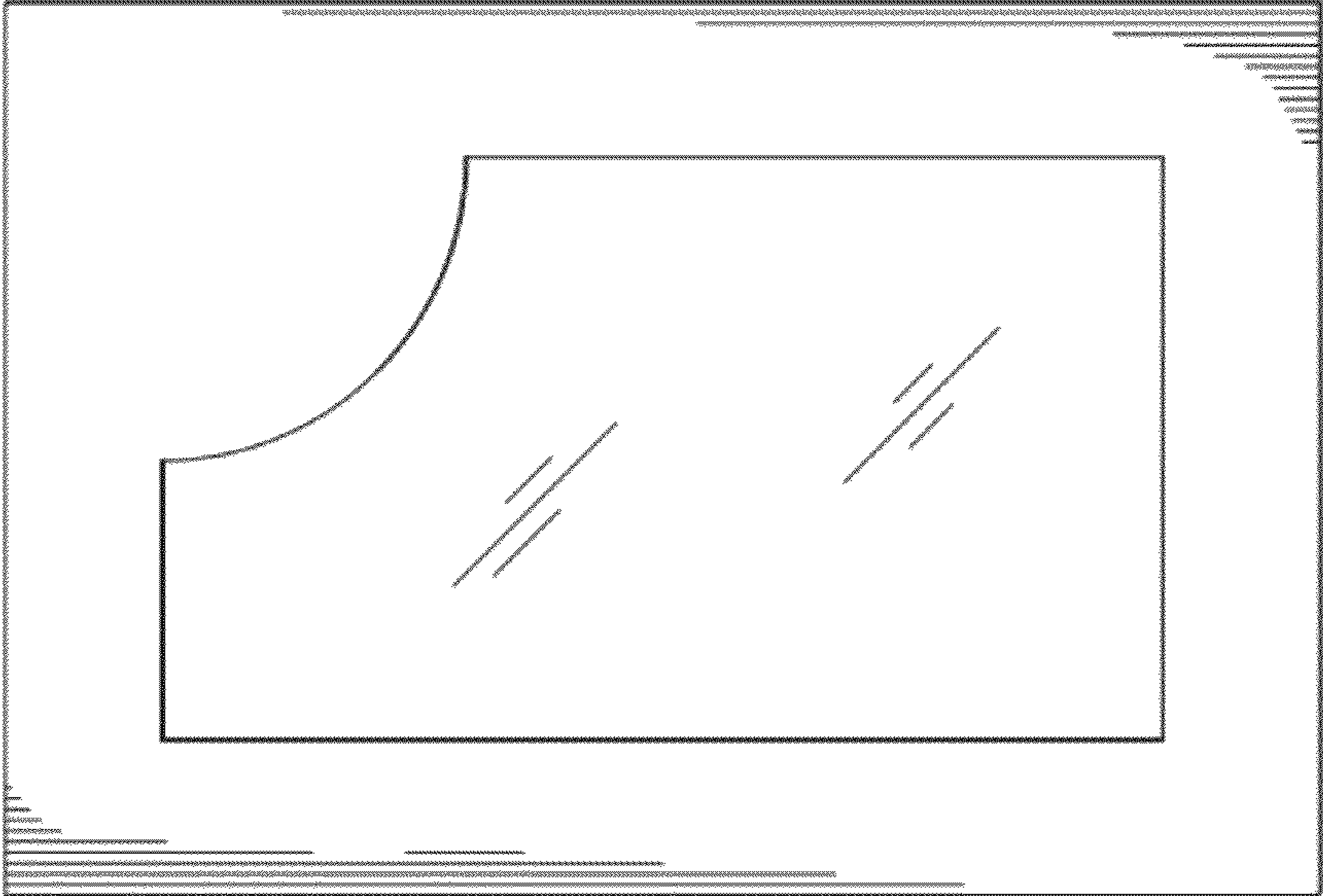


FIG. 6

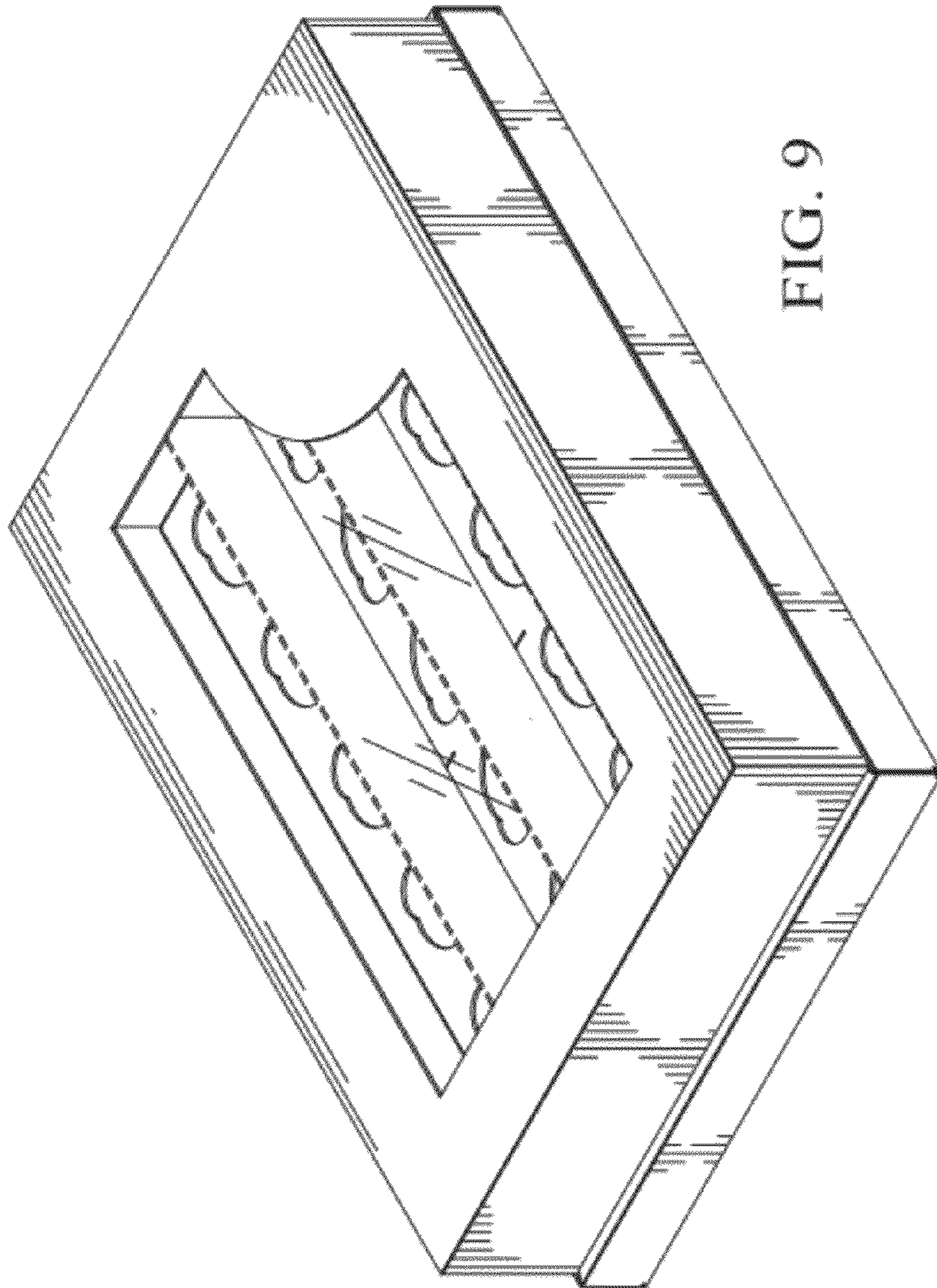


FIG. 9

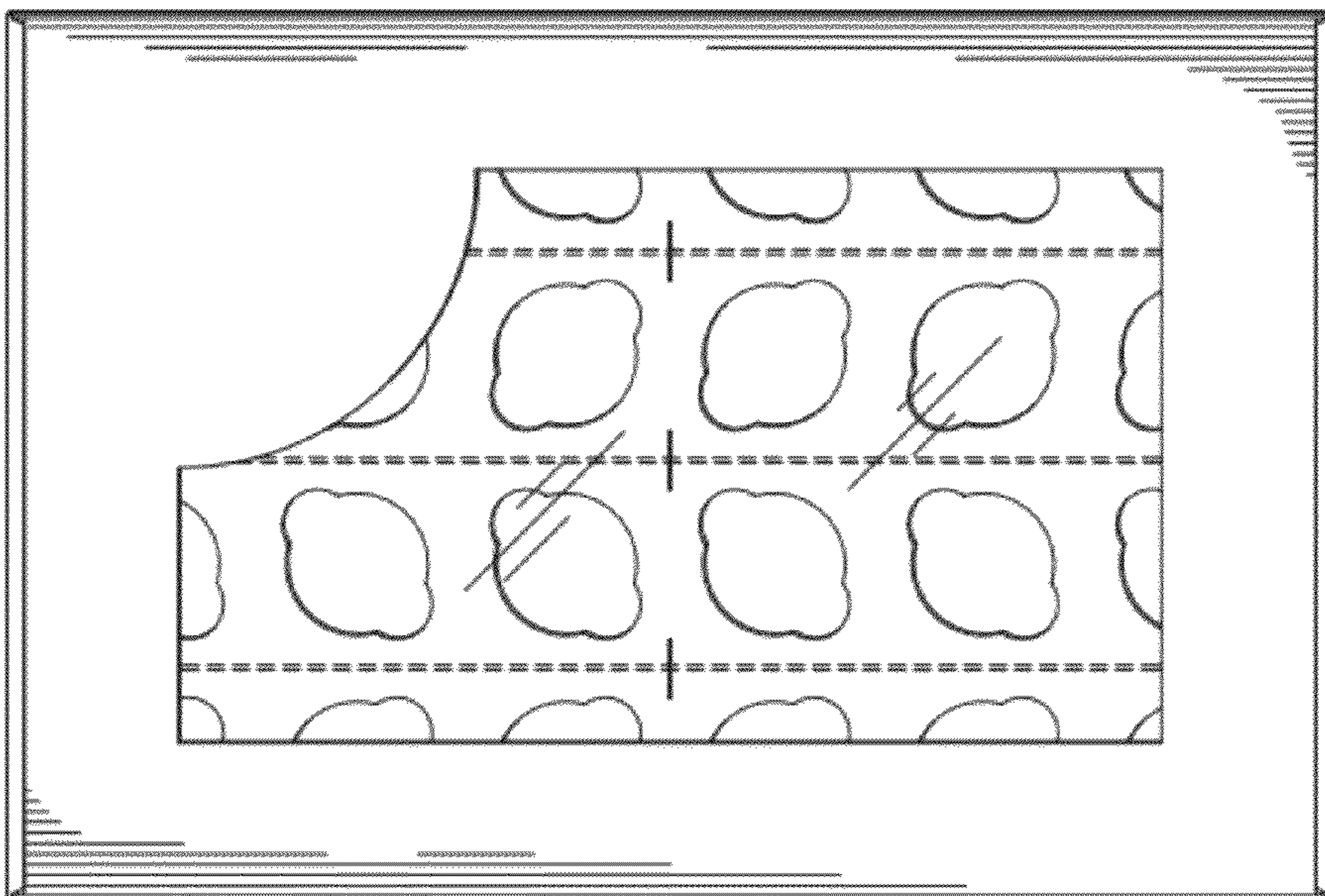


FIG. 8

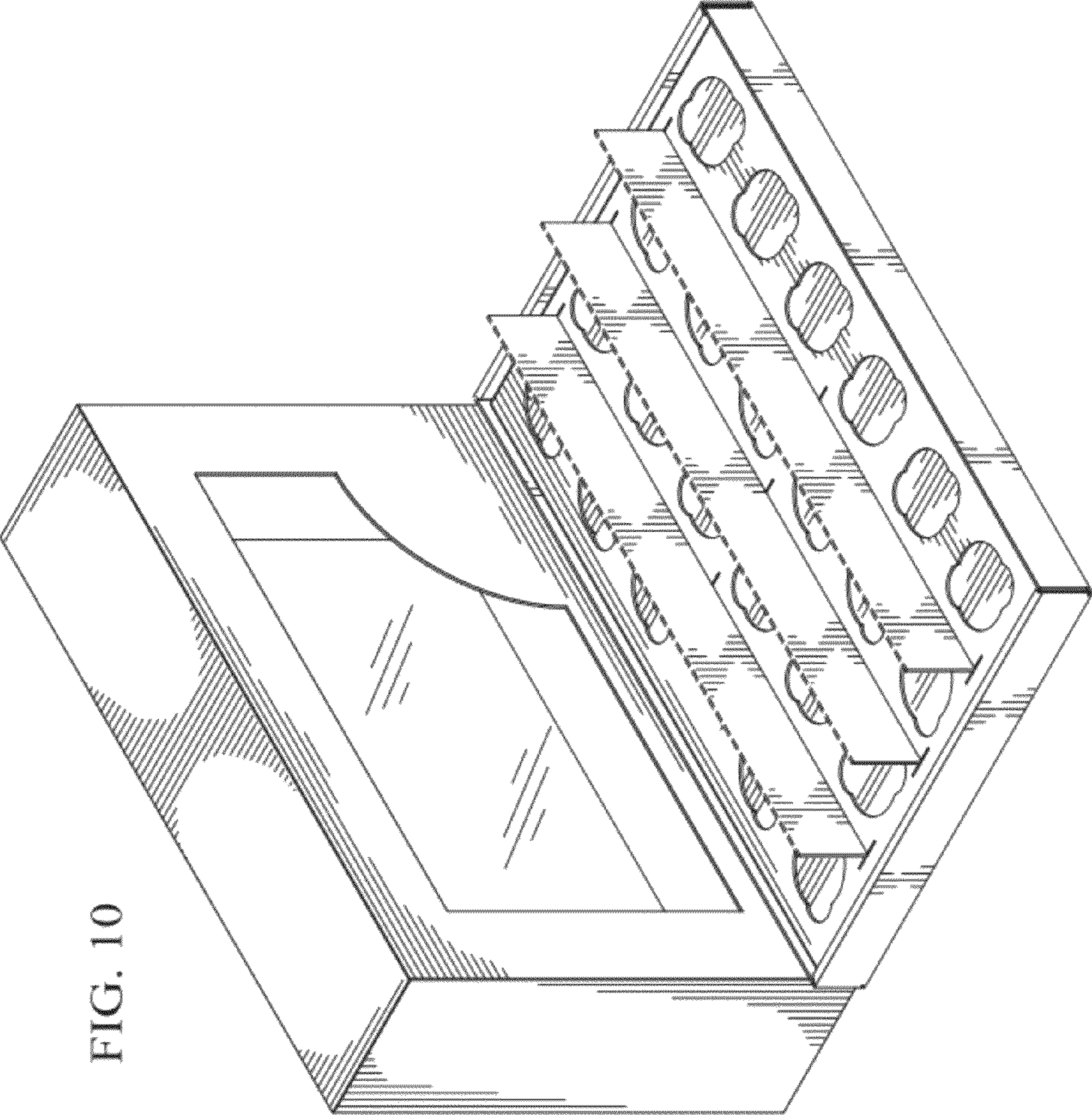


FIG. 10

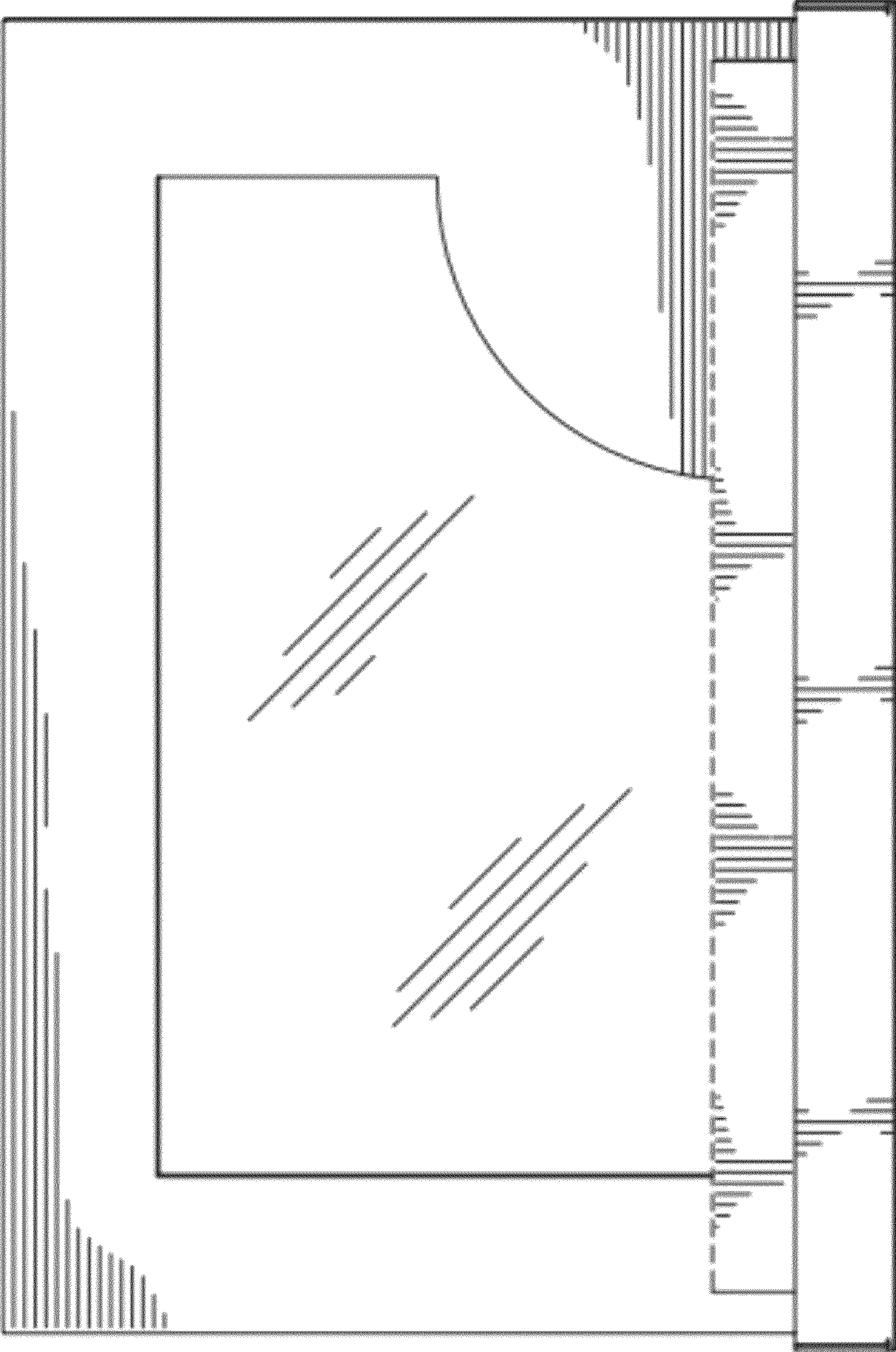


FIG. 11



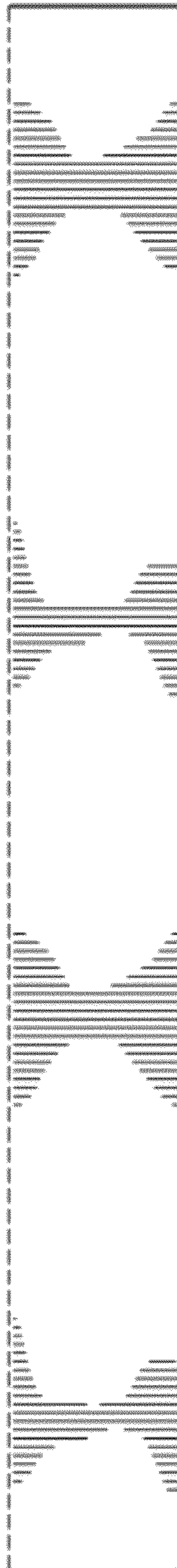


FIG. 12