



US00D670931S

(12) **United States Design Patent**
Tapper

(10) **Patent No.:** **US D670,931 S**

(45) **Date of Patent:** **** Nov. 20, 2012**

(54) **12 COUNT CUPCAKE DISPLAY KIT WITH DIVIDERS**

(75) Inventor: **Laura J. Tapper**, Dallas, TX (US)

(73) Assignee: **Simply Social, LLC**, Dallas, TX (US)

(**) Term: **14 Years**

(21) Appl. No.: **29/408,619**

(22) Filed: **Dec. 14, 2011**

Related U.S. Application Data

(63) Continuation-in-part of application No. 29/355,034, filed on Feb. 1, 2010.

(51) **LOC (9) Cl.** **06-04**

(52) **U.S. Cl.** **D6/449**

(58) **Field of Classification Search** D6/449;
D7/610, 323, 354-361, 417, 505, 513, 540-546,
D7/550.1, 551, 552.1, 553.1, 553.4-553.8,
D7/554.3, 555, 584, 586; D9/414, 456, 754,
D9/756; 220/574, 600-60, 610, 669, 672-675,
220/912, 23.83; 206/769, 497, 223, 499,
206/493; 426/115, 124; 52/136

See application file for complete search history.

(56) **References Cited**

U.S. PATENT DOCUMENTS

D255,085	S	*	5/1980	Free et al.	D7/368
5,912,033	A	*	6/1999	Ferguson	426/124
5,967,323	A	*	10/1999	Siragusa	206/499
6,003,671	A	*	12/1999	McDonough et al.	206/493
D423,864	S	*	5/2000	Chang et al.	D7/323
6,146,673	A	*	11/2000	Ferguson	426/115
6,186,351	B1	*	2/2001	Coyle	220/23.83
6,318,030	B1	*	11/2001	McClure et al.	52/136
6,450,341	B1	*	9/2002	Krupa et al.	206/497
6,450,343	B1	*	9/2002	Arnaldi	206/769
6,905,017	B1	*	6/2005	Sarnoff et al.	206/223
D515,363	S	*	2/2006	Driggers et al.	D7/610
D553,902	S	*	10/2007	Barber	D7/357
D559,613	S	*	1/2008	DeMirjian, III	D7/357

D569,677	S	*	5/2008	Poon	D7/357
D574,182	S	*	8/2008	Shannon et al.	D7/357
D596,447	S	*	7/2009	Cubillos	D7/357

* cited by examiner

Primary Examiner — Philip S Hyder

Assistant Examiner — Sydney Buffalow

(57) **CLAIM**

The ornamental design for a 12 count cupcake display kit with dividers, as shown and described.

DESCRIPTION

FIG. 1 is a top view of the cupcake insert illustrating the cupcake holes extending through the top surface of the cupcake insert and decorative dividers positioned between the cupcake holes and extending from the surface of the cupcake insert;

FIG. 2 is a side view of the cupcake insert and decorative dividers positioned between the cupcake holes and extending from the surface of the cupcake insert;

FIG. 3 is a side view of the cupcake insert and decorative dividers positioned between the cupcake holes and extending from the surface of the cupcake insert;

FIG. 4 is a perspective view of the cupcake tray;

FIG. 5 is a perspective view of the cupcake insert positioned in the cupcake tray illustrating cupcake holes extending through the top surface of the cupcake insert and the decorative dividers positioned between the cupcake holes and extending from the surface of the cupcake insert;

FIG. 6 is a top view of the cupcake box top positioned between the cupcake tray and cupcake insert, the cupcake box top includes a transparent window in the top surface for viewing the cupcake insert and illustrating cupcake holes extending through the top surface of the cupcake insert making the interior surface of the cupcake tray visible through the cupcake holes and decorative dividers positioned between the cupcake holes and extending from the surface of the cupcake insert;

FIG. 7 is a perspective view of the cupcake box top having a transparent window in the top surface for viewing the contents thereof;

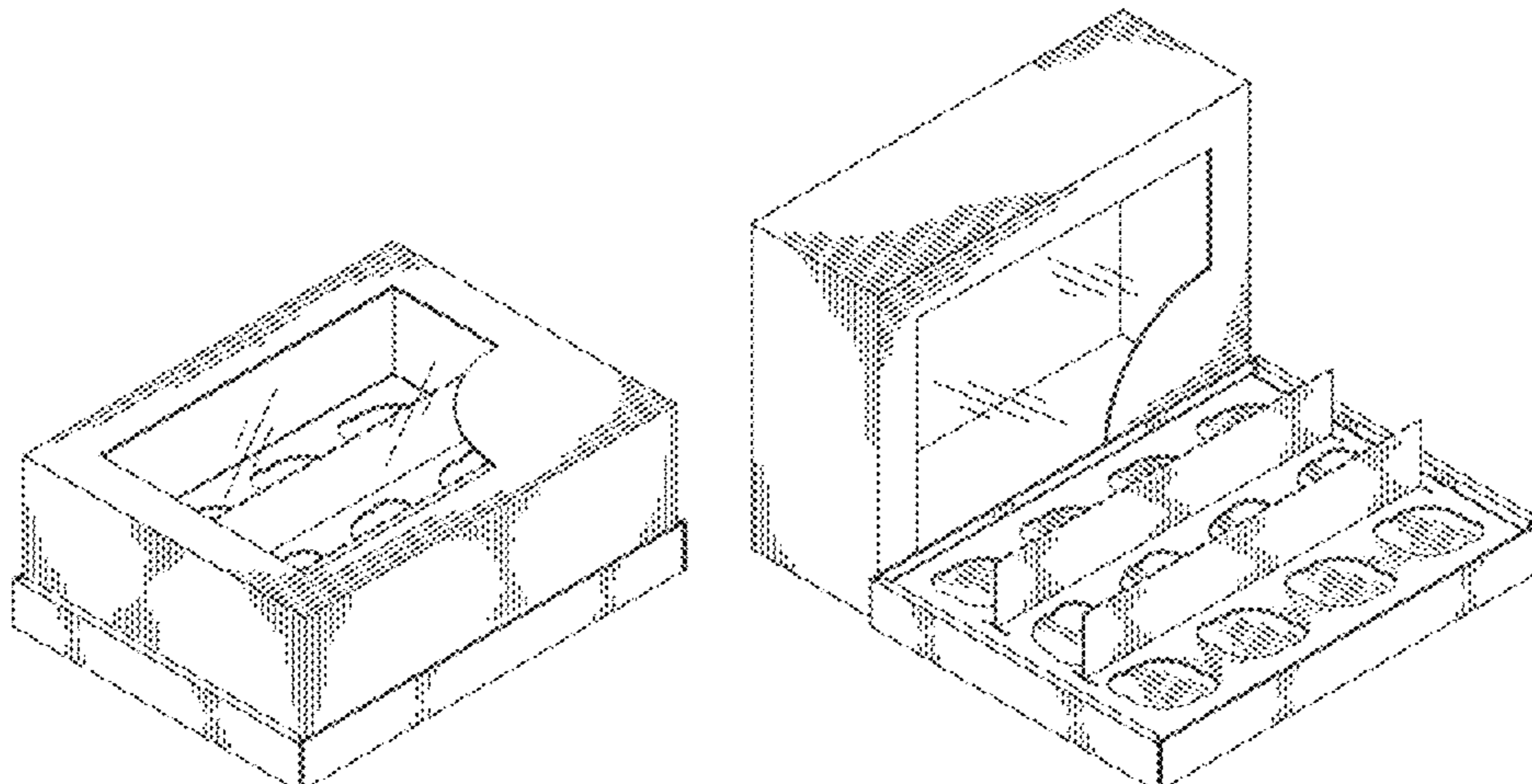


FIG. 8 is a perspective view of the cupcake box top inserted between the cupcake tray and cupcake insert, with the cupcake box top having a transparent window in the top surface for viewing the cupcake insert and visible are cupcake holes extending through the top surface of the cupcake insert making the interior surface of the cupcake tray visible through the cupcake holes and decorative dividers positioned between the cupcake holes and extending from the surface of the cupcake insert;

FIG. 9 is a front view of the cupcake box top positioned behind the cupcake tray wherein the cupcake box top includes a transparent window in the top surface and is positioned adjacent to the cupcake tray and the cupcake insert, visible in the figure are decorative dividers extending from the surface of the cupcake insert, wherein the unclaimed upper edge is depicted in broken line form; and,

FIG. 10 is a perspective view of the cupcake box top positioned alongside the cupcake tray wherein the cupcake box

top includes a transparent window in the top surface and is positioned adjacent to the cupcake tray and the cupcake insert, visible in the figure are cupcake holes extending through the top surface of the cupcake insert making the interior surface of the cupcake tray visible through the cupcake holes and decorative dividers positioned between the cupcake holes and extending from the surface of the cupcake insert, wherein the unclaimed upper edge is depicted in broken line form.

The nature and intended use of the article in which the design is embodied is a 12 count cupcake display kit with dividers. The cupcake kit includes a low cupcake insert positioned in a low cupcake tray. A tall cupcake box top with a see through window is positioned in the low cupcake tray between the cupcake tray walls and the cupcake insert sides.

1 Claim, 5 Drawing Sheets

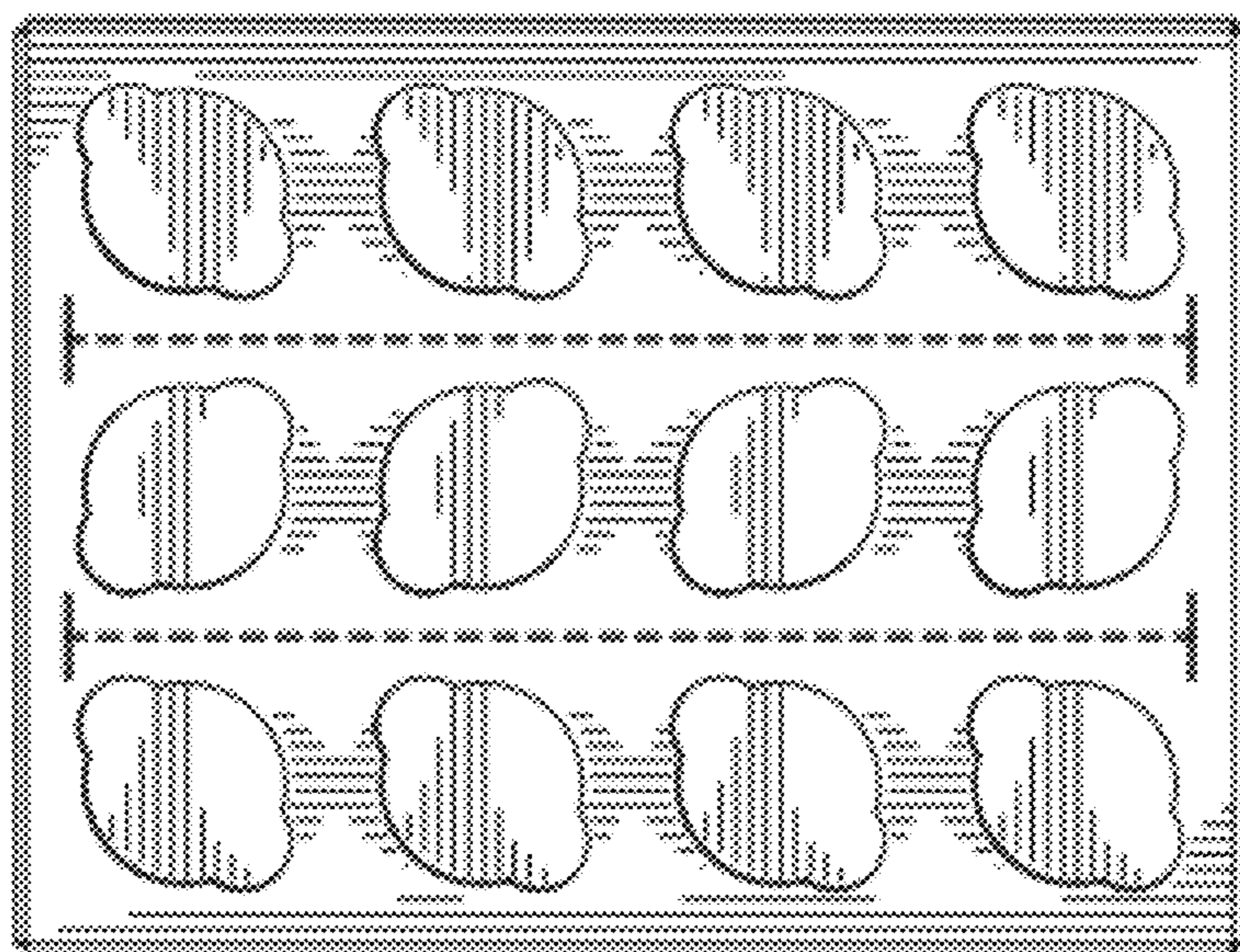


FIG. 1

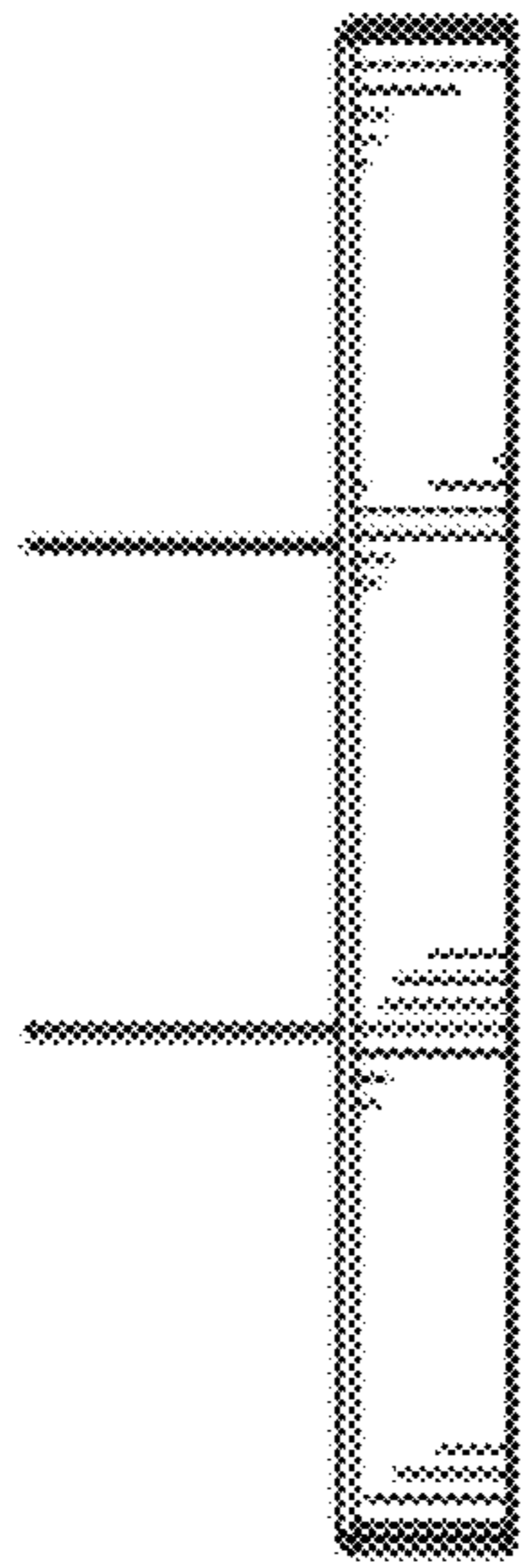


FIG. 2

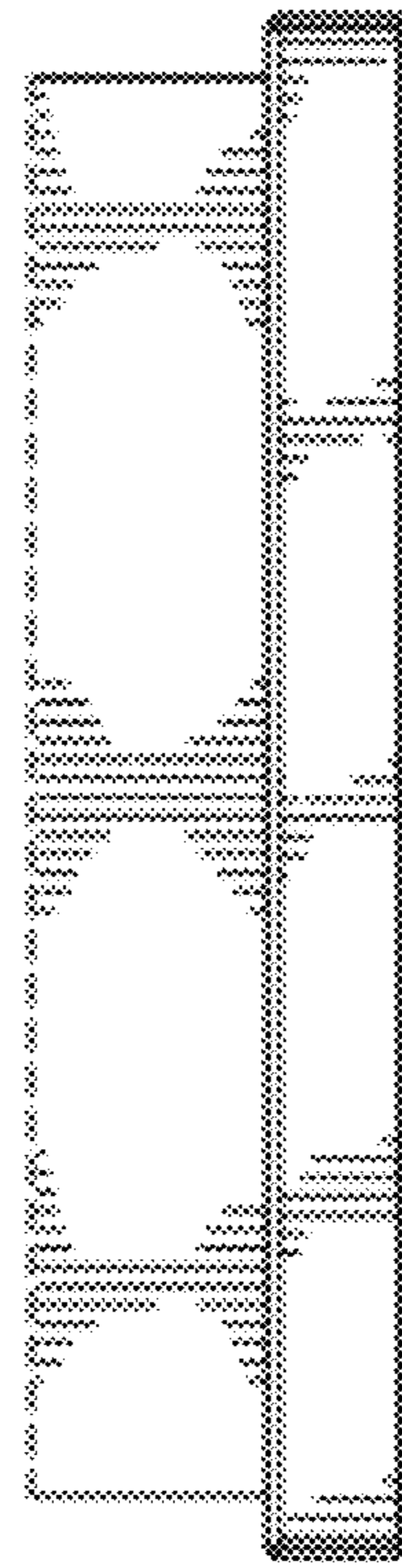


FIG. 3

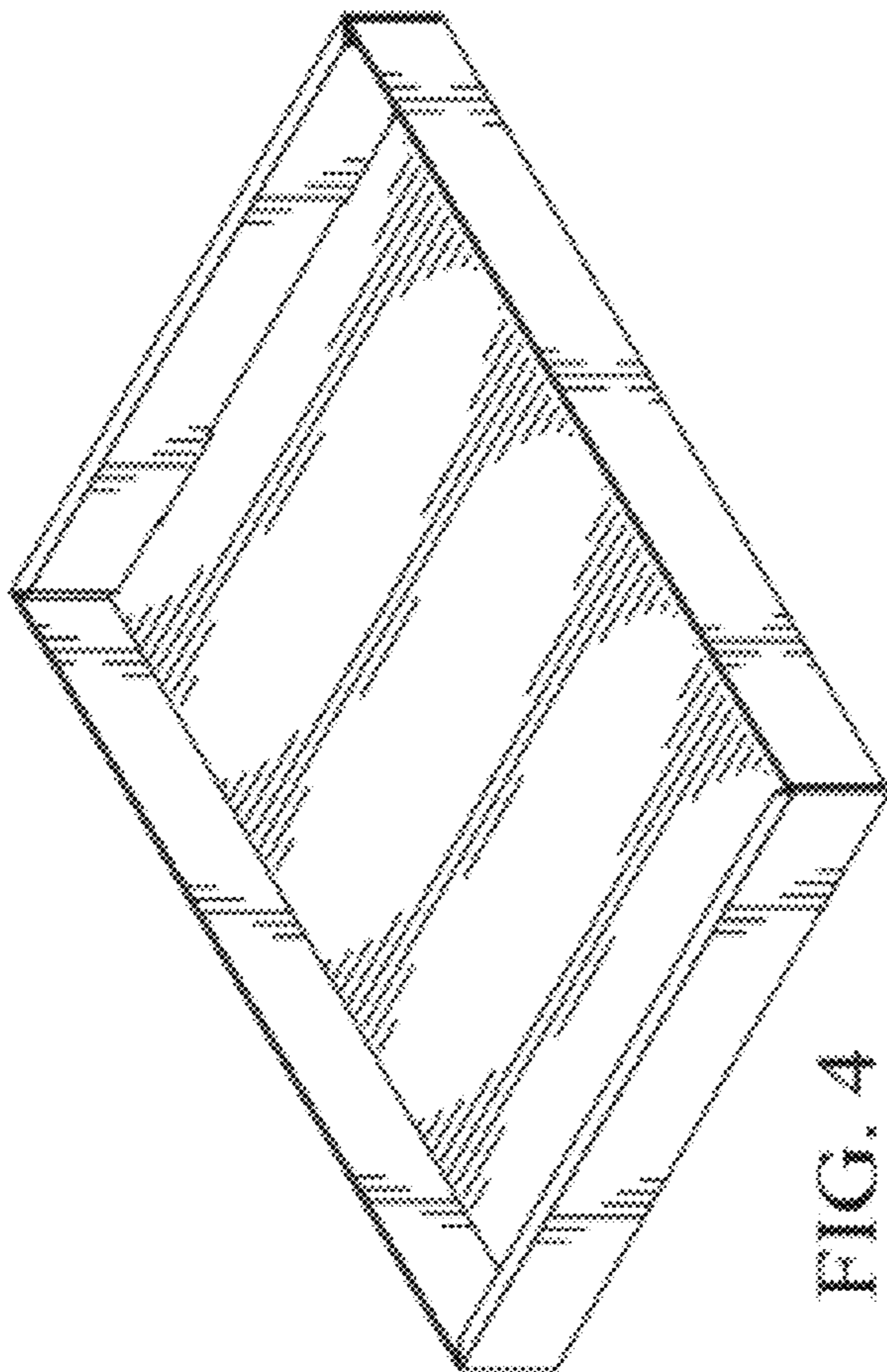


FIG. 4

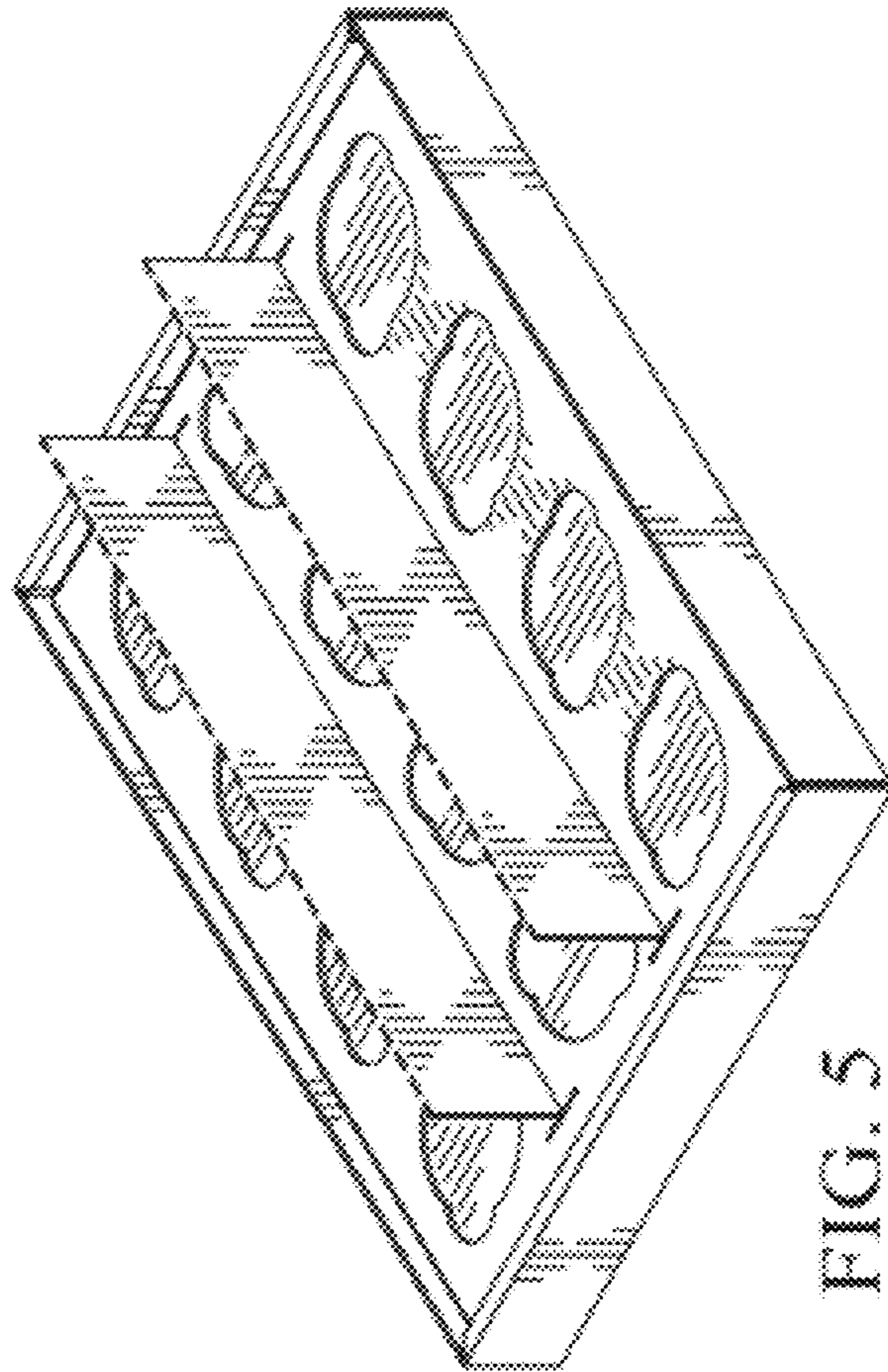


FIG. 5

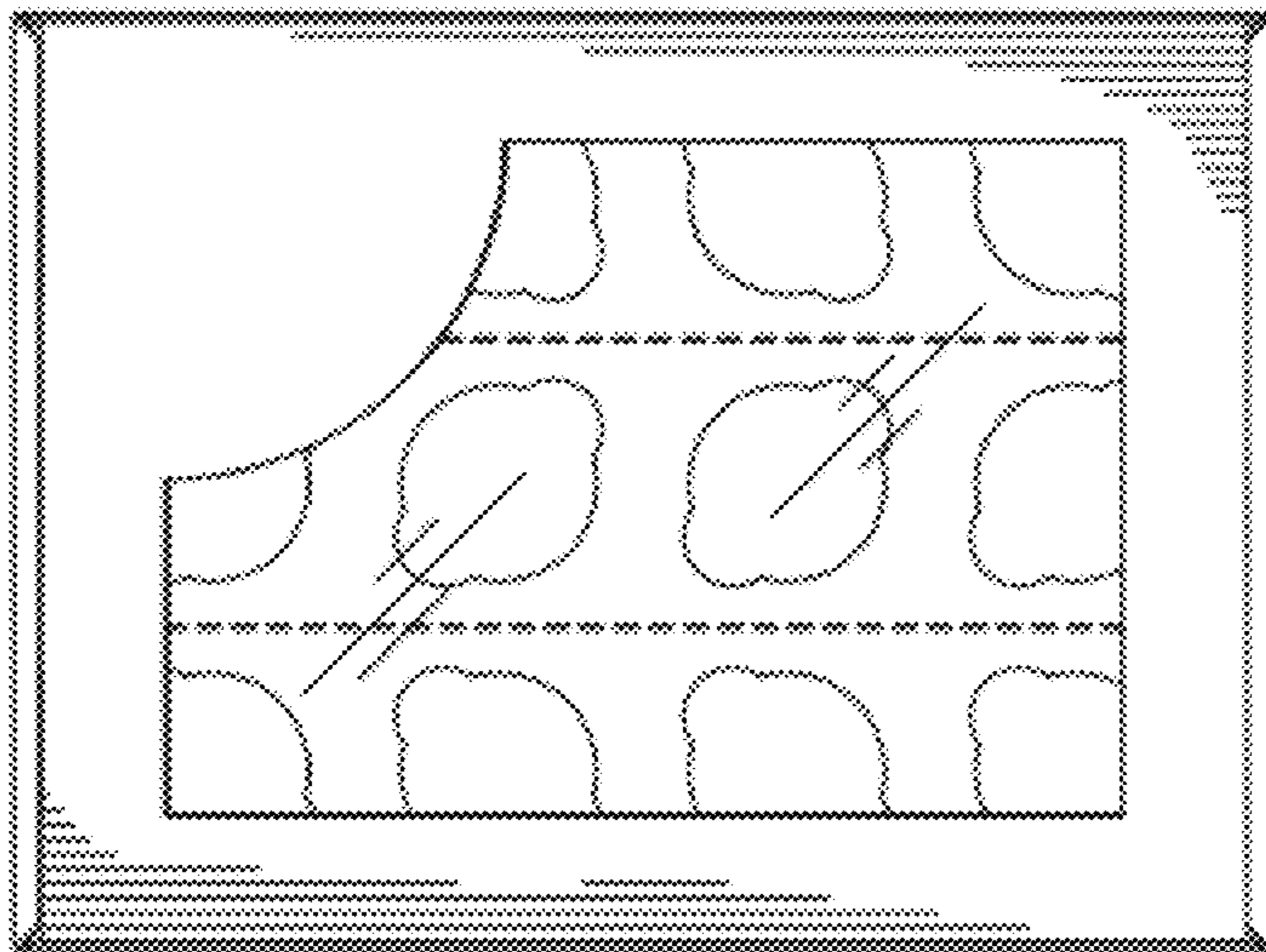


FIG. 6

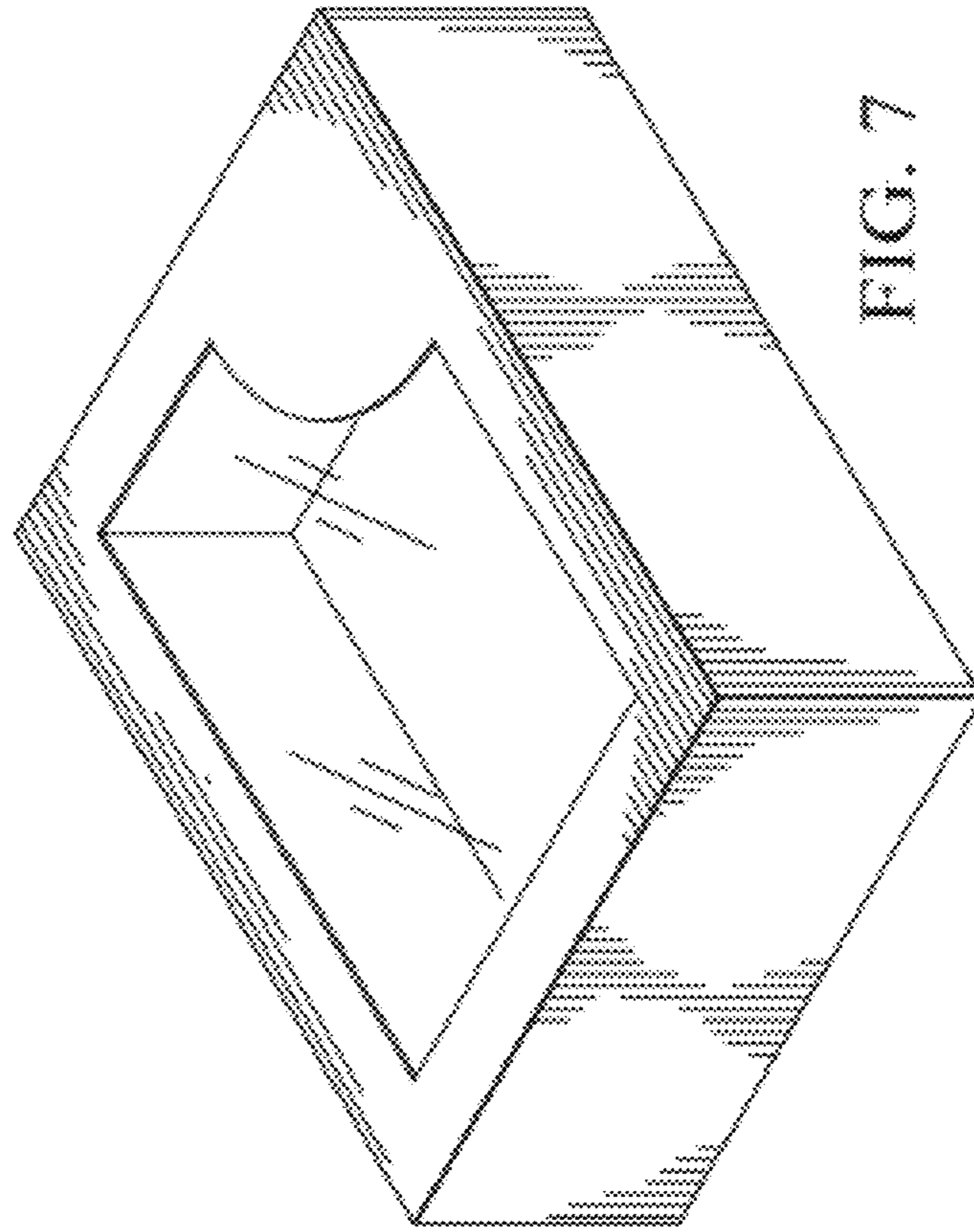


FIG. 7

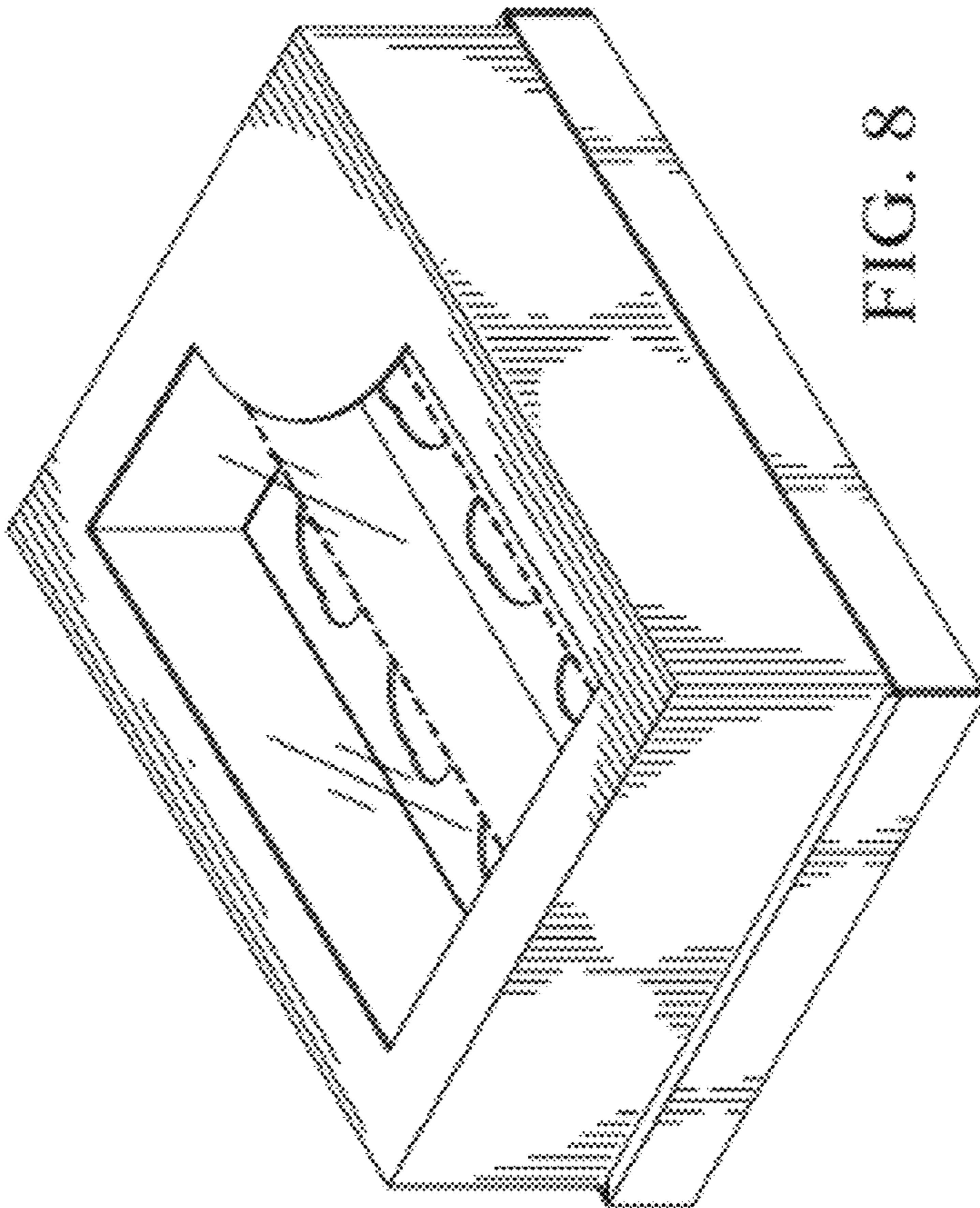


FIG. 8

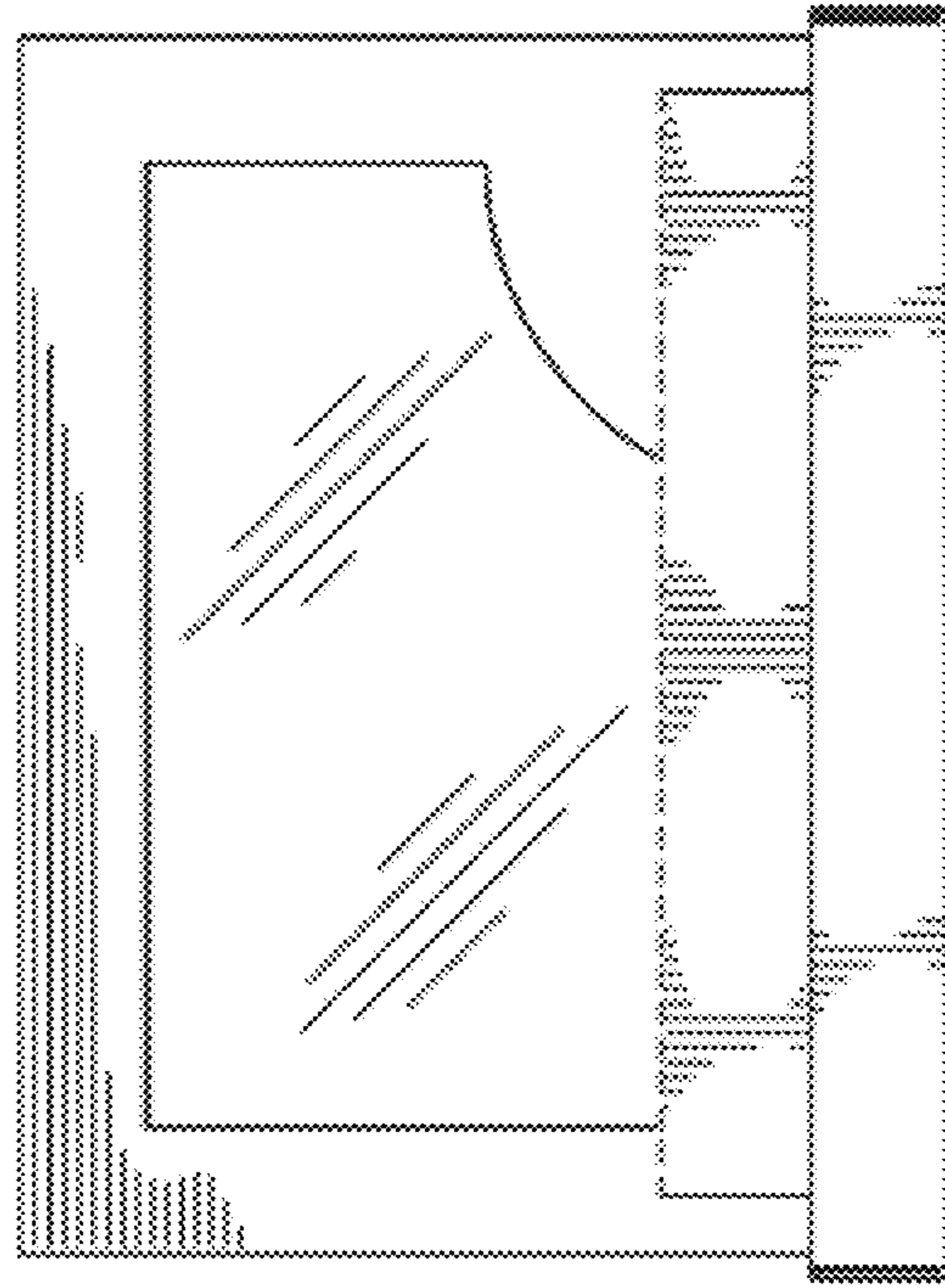


FIG. 9

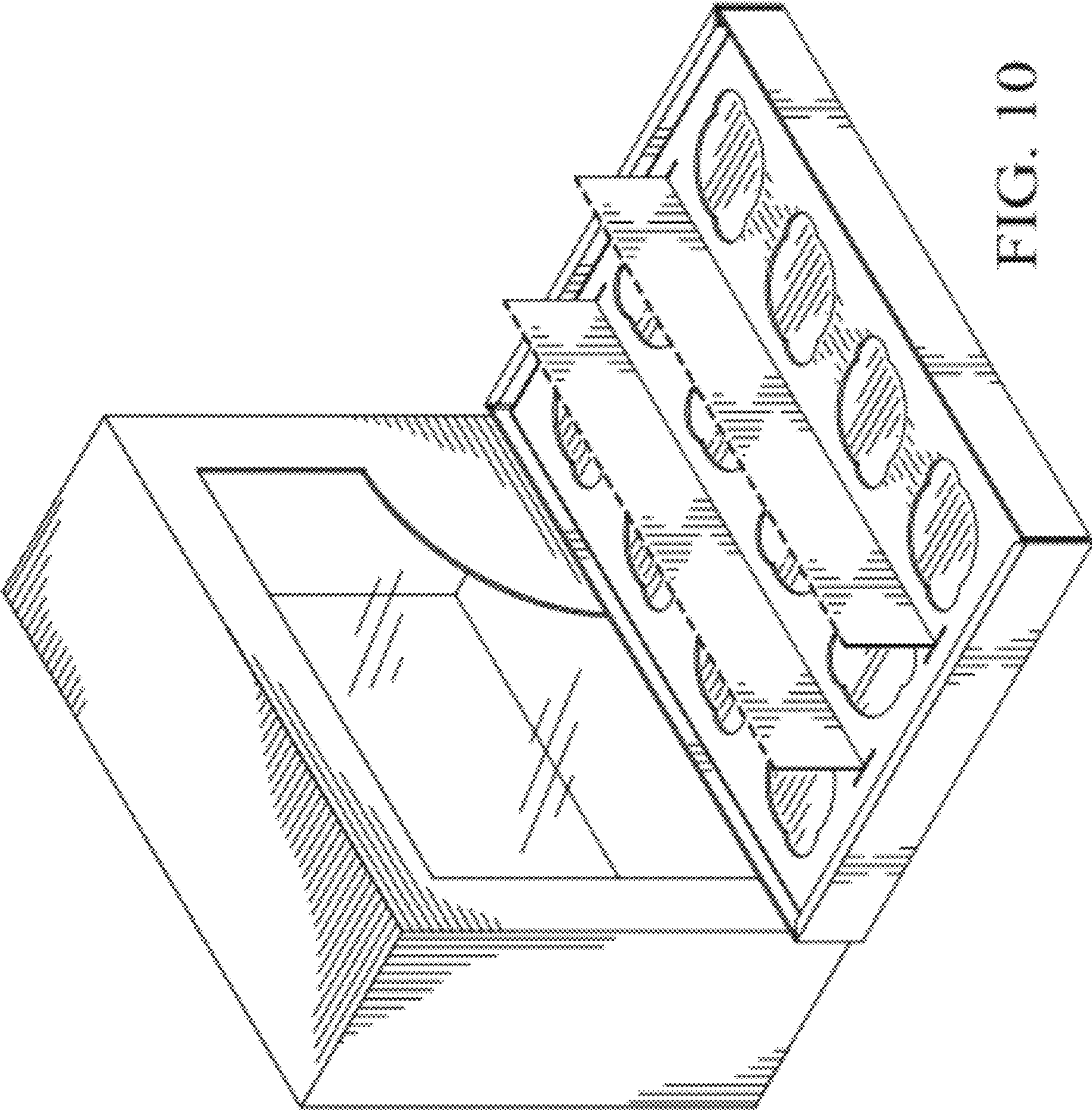


FIG. 10