



US00D670926S

(12) **United States Design Patent**
Ukmar

(10) **Patent No.:** **US D670,926 S**

(45) **Date of Patent:** **** Nov. 20, 2012**

(54) **STOOL**

(75) **Inventor:** **Robert Carlo Ukmar**, Ellis Lane (AU)

(73) **Assignee:** **Sebel Furniture Ltd.**, Padstow NSW (AU)

(**) **Term:** **14 Years**

(21) **Appl. No.:** **29/388,767**

(22) **Filed:** **Apr. 1, 2011**

(30) **Foreign Application Priority Data**

Nov. 23, 2010 (AU) 15098/2010

(51) **LOC (9) Cl.** **06-01**

(52) **U.S. Cl.** **D6/349**

(58) **Field of Classification Search** D6/335,
D6/340, 349-355, 495, 500-502; 297/16.1,
297/175, 187, 195.1, 423.1, 423.11, 423.14,
297/423.16, 461, 462

See application file for complete search history.

(56) **References Cited**

U.S. PATENT DOCUMENTS

D145,938 S * 11/1946 Guild D6/349
D170,311 S * 9/1953 Doherty D6/352

D176,183 S * 11/1955 Goldman et al. D6/349
D236,395 S * 8/1975 Kinsman D6/373
D333,044 S * 2/1993 Caruso D6/373
D414,618 S * 10/1999 Holbrook D6/373
D472,396 S * 4/2003 de Blois D6/349
D533,728 S * 12/2006 Martin D6/372
D535,828 S * 1/2007 Gasca Burges D6/349
D553,872 S * 10/2007 Martin D6/373
D556,466 S * 12/2007 Foster D6/349

* cited by examiner

Primary Examiner — Sandra Snapp

(74) *Attorney, Agent, or Firm* — Design IP

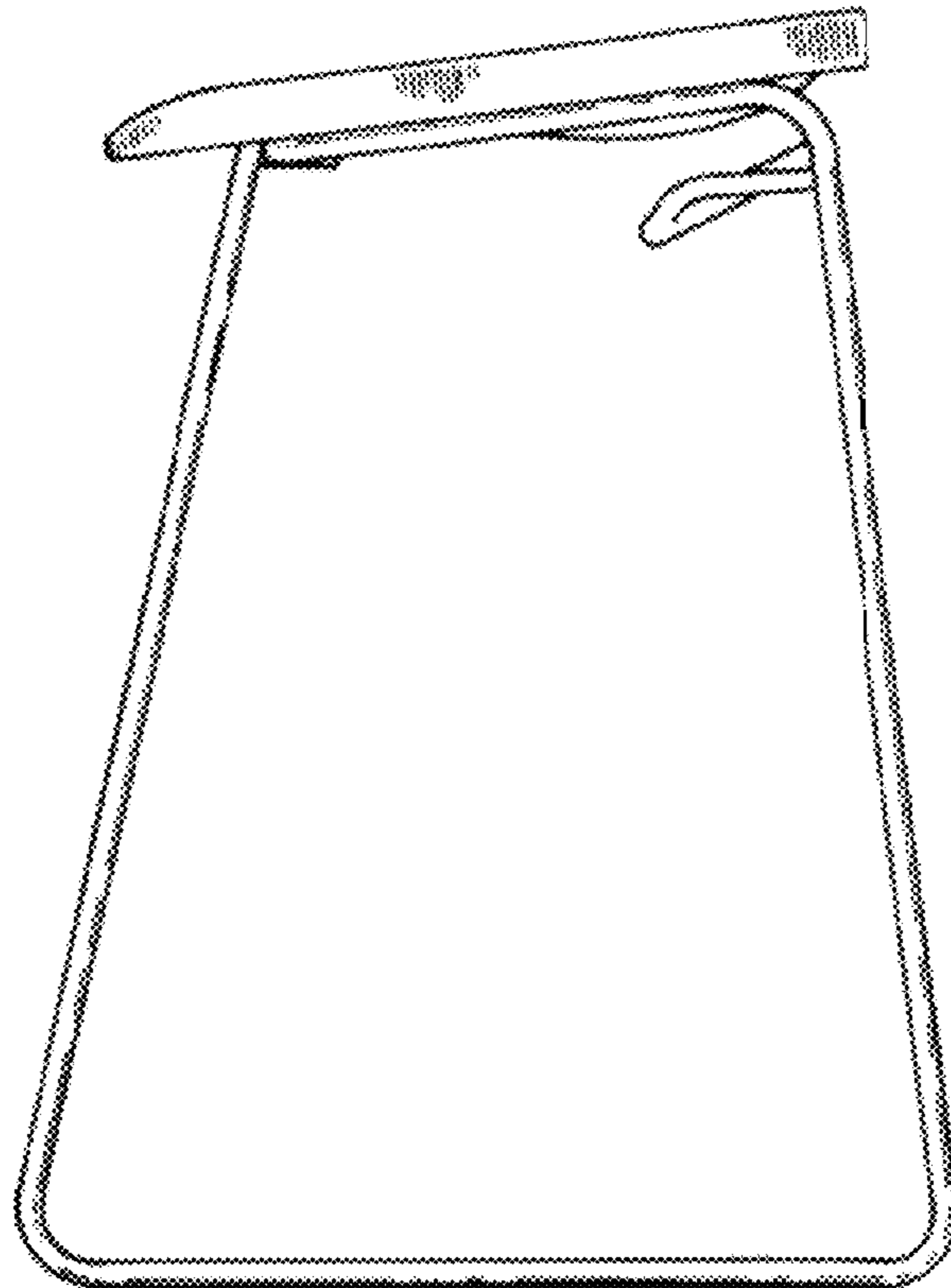
(57) **CLAIM**

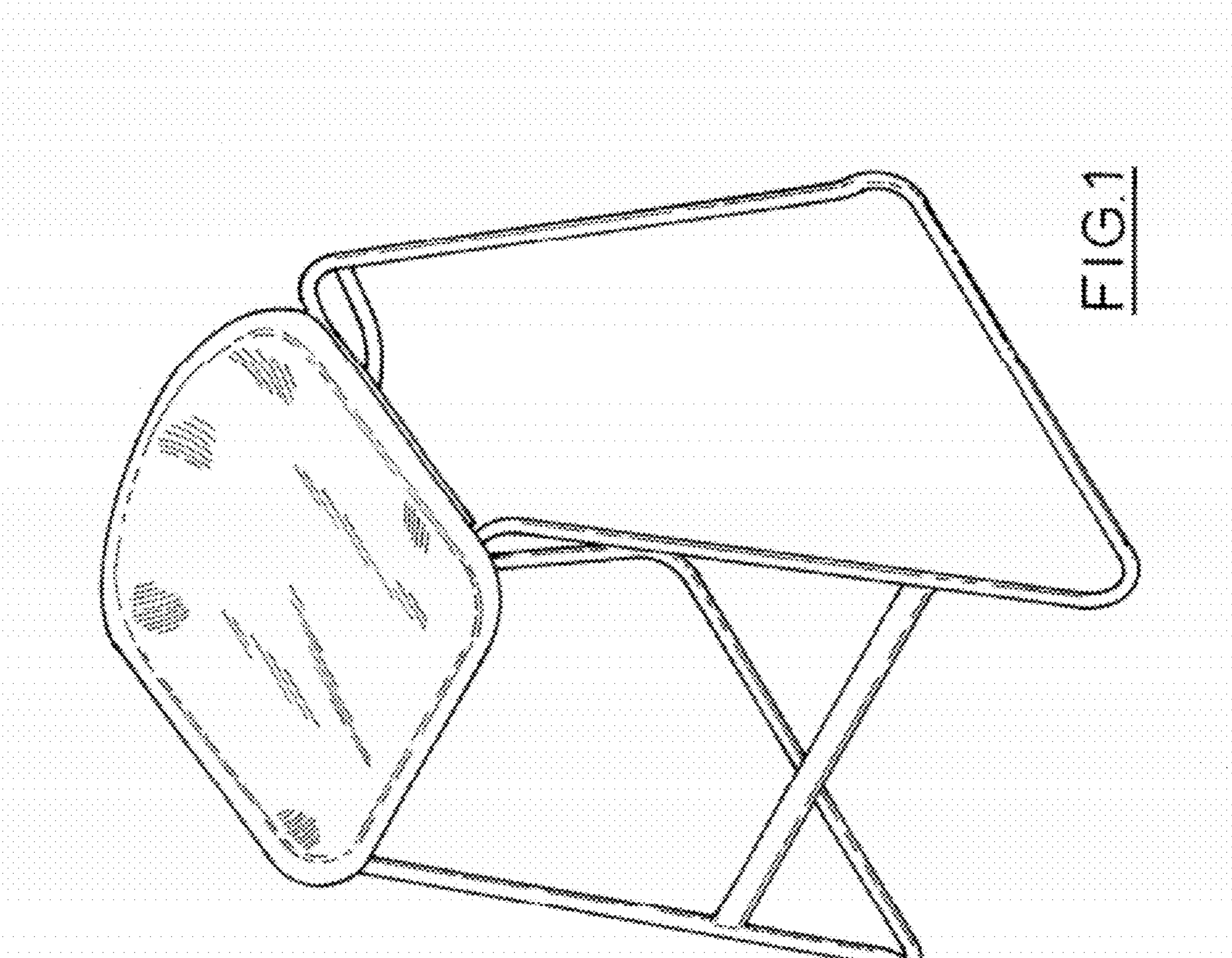
The ornamental design for a stool, as shown and described.

DESCRIPTION

FIG. 1 is a front perspective view of a stool showing my new design;
FIG. 2 is a bottom plan view thereof;
FIG. 3 is a top plan view thereof;
FIG. 4 is a rear elevational view thereof;
FIG. 5 is a front elevational view thereof;
FIG. 6 is a right side view thereof; and,
FIG. 7 is a left side view thereof.

1 Claim, 4 Drawing Sheets





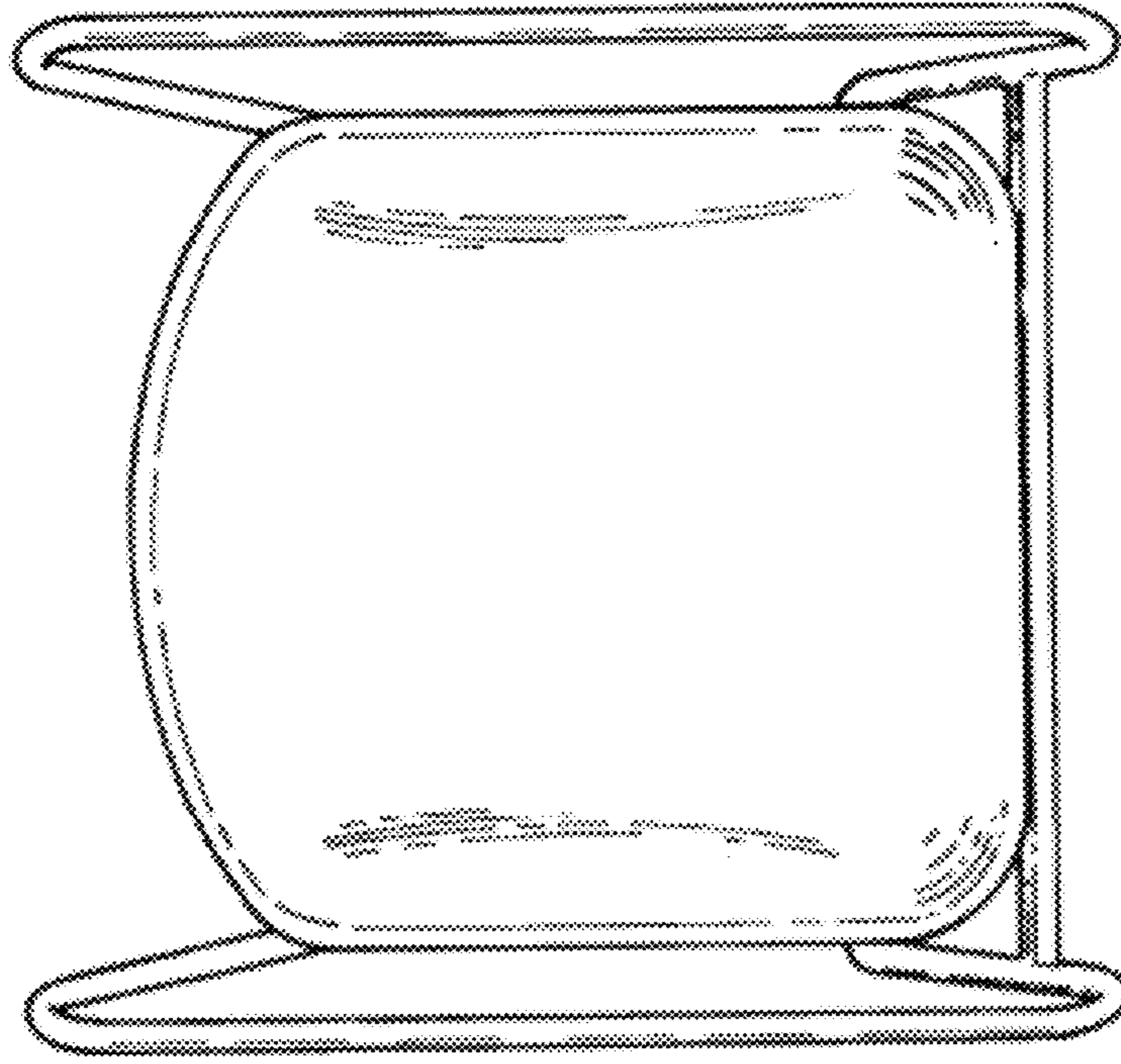


FIG. 3

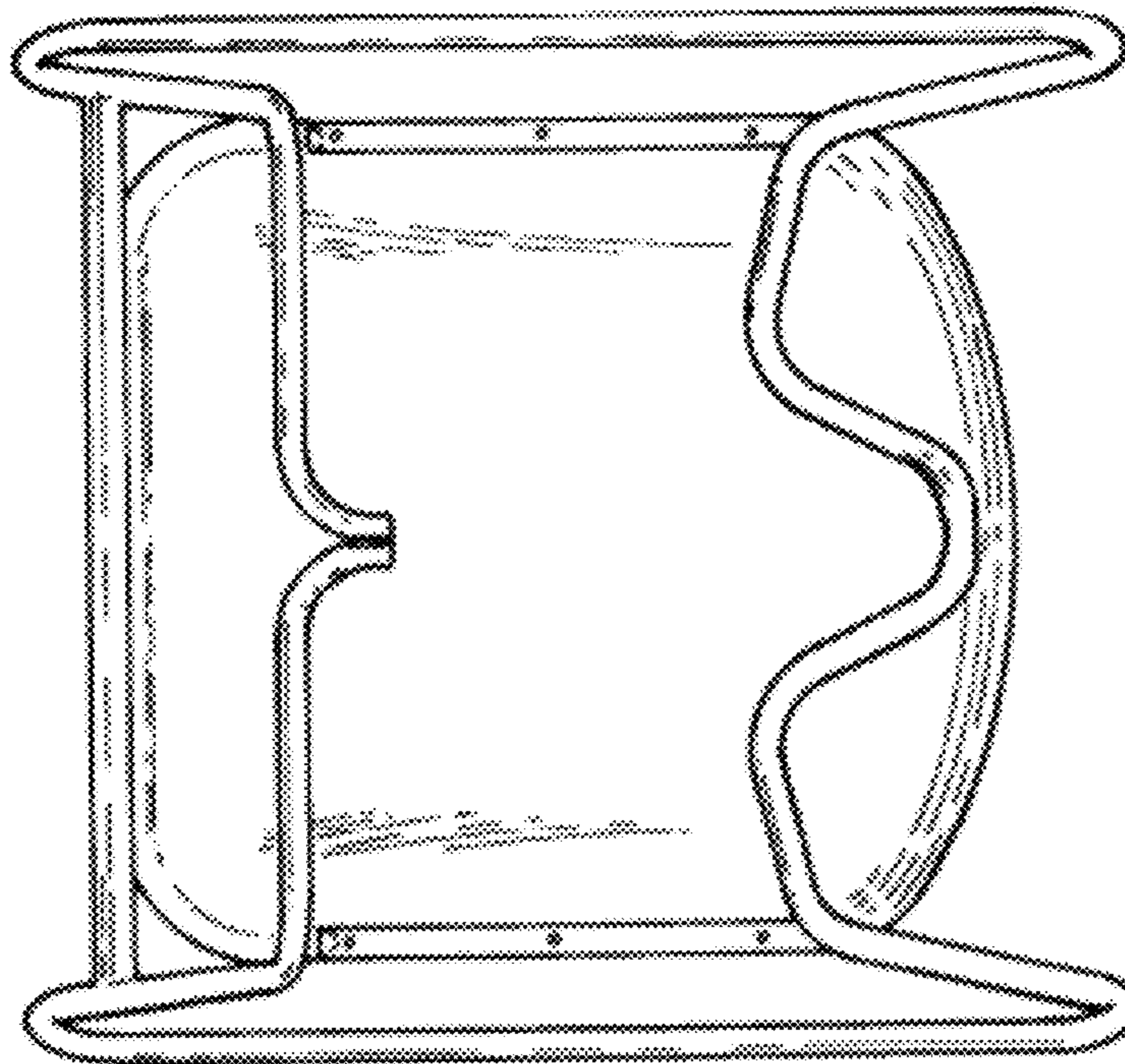


FIG. 2

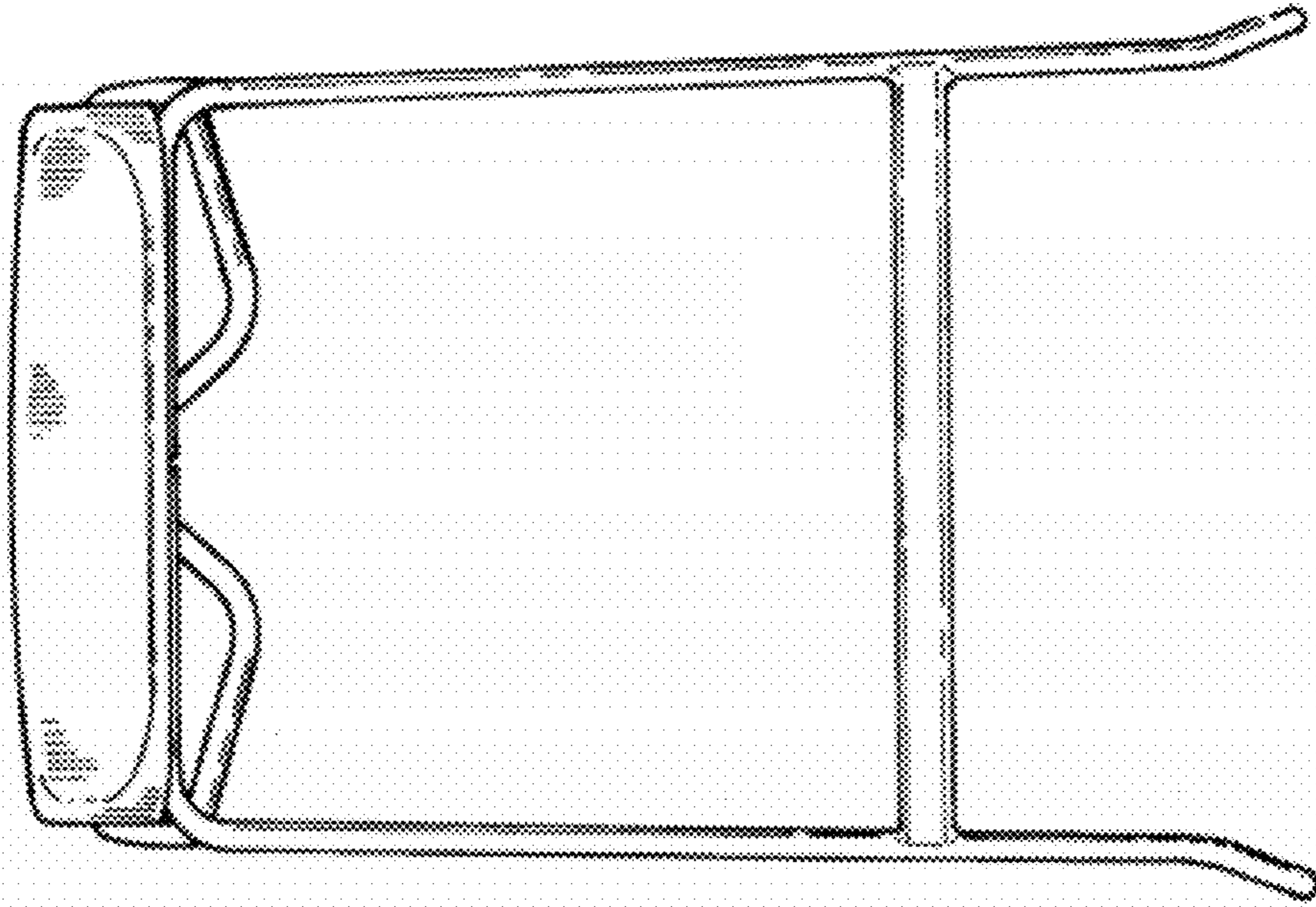


FIG. 5

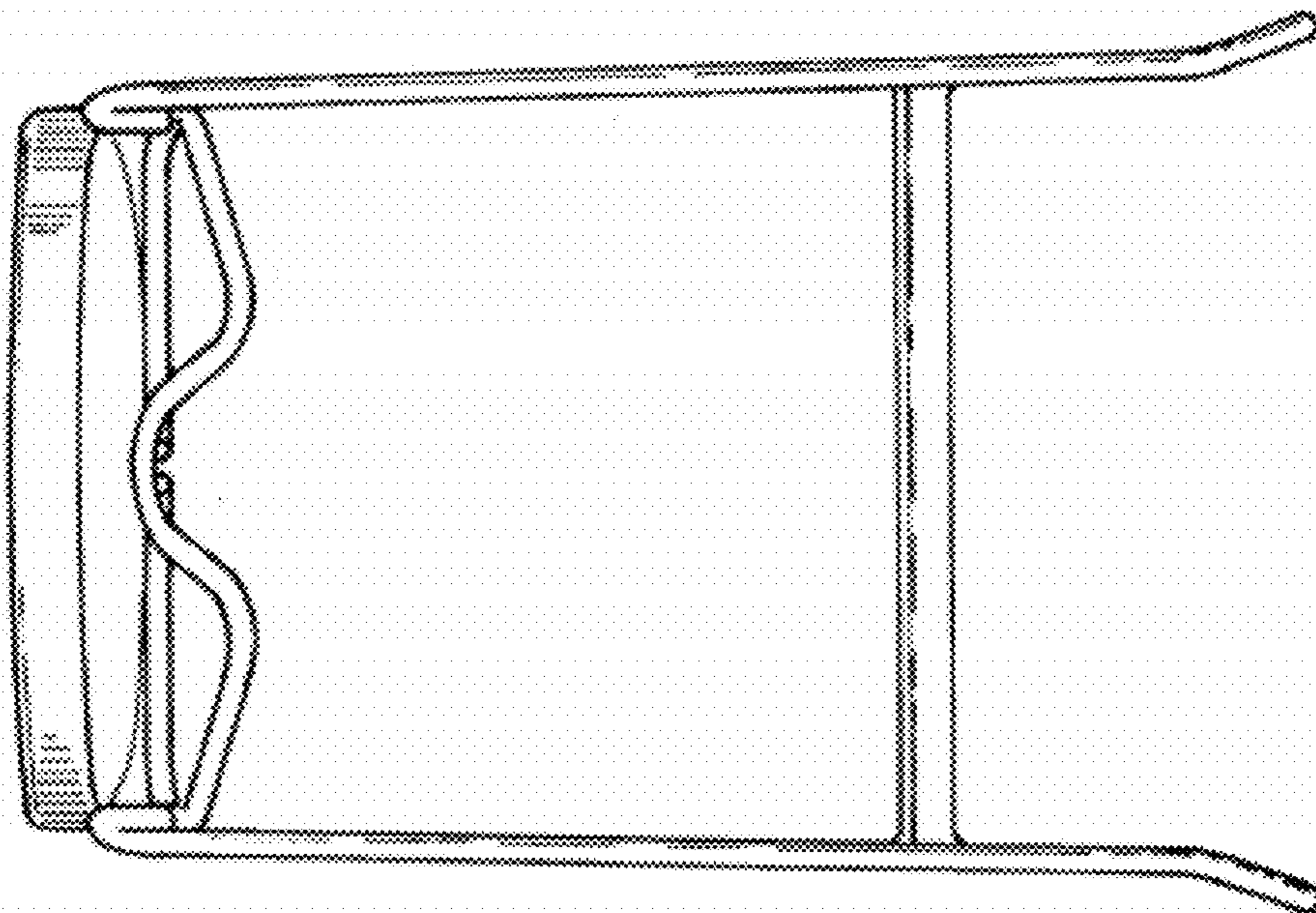


FIG. 4

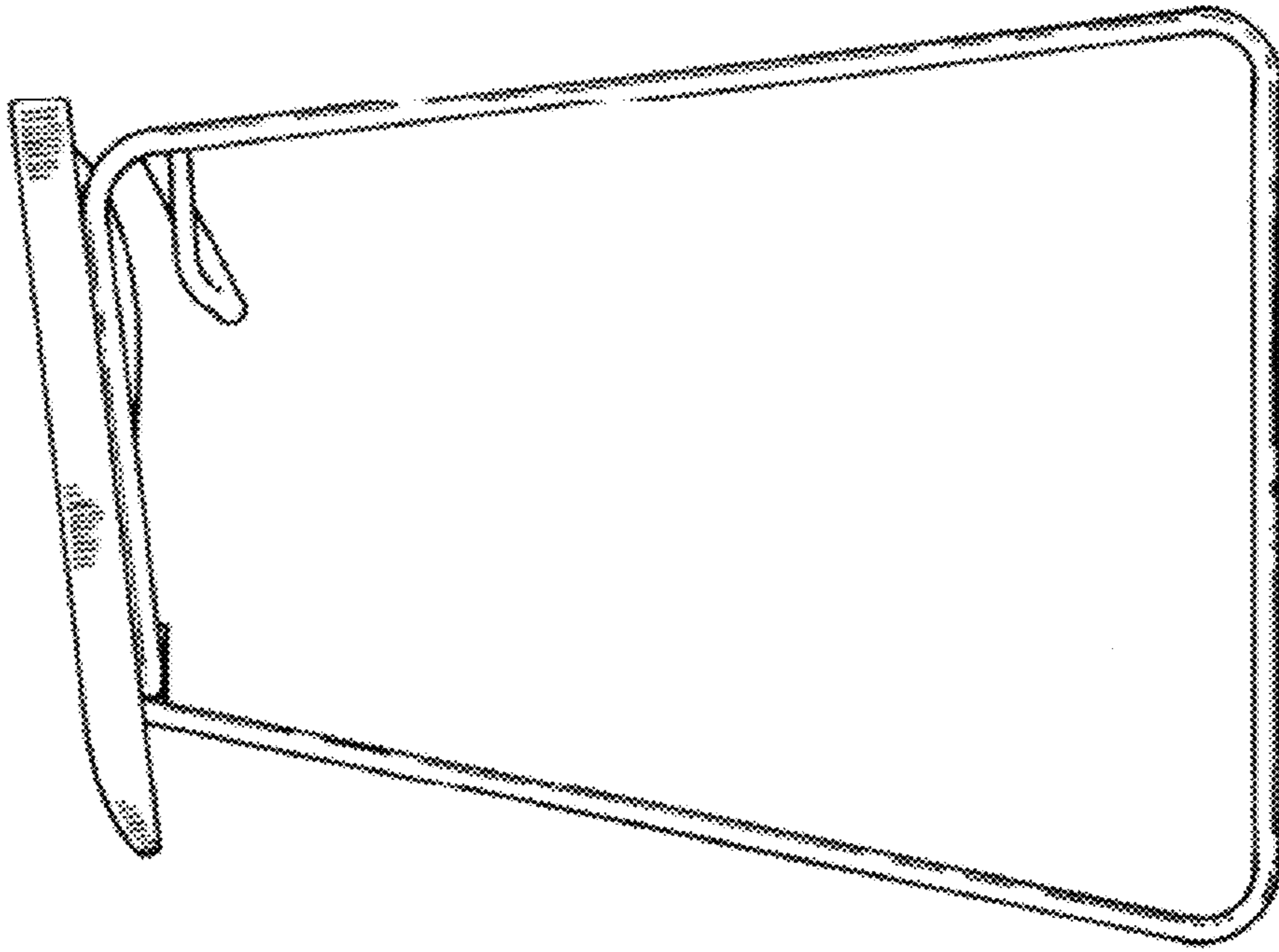


FIG. 6

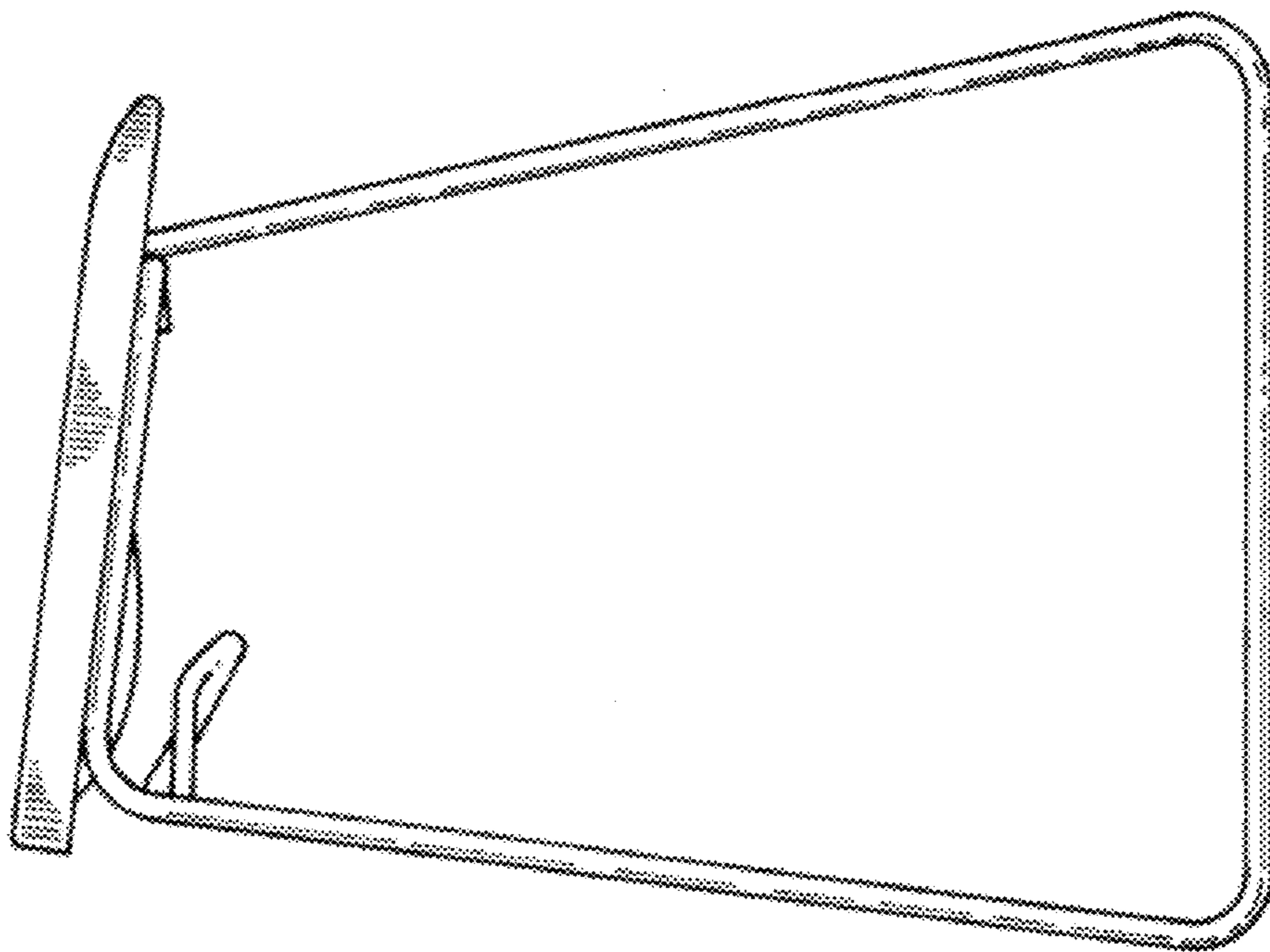


FIG. 7