



US00D670925S

(12) **United States Design Patent**  
**Slayton**

(10) **Patent No.:** **US D670,925 S**

(45) **Date of Patent:** **\*\* Nov. 20, 2012**

(54) **RECLINED SWING**

(76) **Inventor:** **Berry Slayton, Churubusco, IN (US)**

(\*\*) **Term:** **14 Years**

(21) **Appl. No.:** **29/422,409**

(22) **Filed:** **May 21, 2012**

D423,802 S *	5/2000	Tseng	.....	D6/347
D439,423 S *	3/2001	Tseng	.....	D6/344
6,343,838 B1 *	2/2002	Bagshaw	.....	297/278
6,348,005 B1 *	2/2002	Tseng	.....	472/118
6,383,085 B1 *	5/2002	Tseng	.....	472/118
D467,439 S *	12/2002	Noll	.....	D6/344
D475,541 S *	6/2003	Noll	.....	D6/344
6,648,768 B1 *	11/2003	Tseng	.....	472/118
6,958,017 B1 *	10/2005	Toombs, Jr.	.....	472/118
D661,502 S *	6/2012	Slayton	.....	D6/344

\* cited by examiner

**Related U.S. Application Data**

(62) Division of application No. 29/380,183, filed on Dec. 1, 2010, now Pat. No. Des. 661,502.

(51) **LOC (9) Cl.** ..... **06-01**

(52) **U.S. Cl.** ..... **D6/344**

(58) **Field of Classification Search** ..... D6/334-335,  
D6/344-347, 360-369, 370-376, 379-381,  
D6/498, 500-502, 601; 297/273-278, 284.1-284.5,  
297/291, 297, 300.2, 303.1, 411.2, 411.27-411.29,  
297/452.13, 452.19, 452.21, 452.29, 452.3,  
297/452.56, 452.63; 472/118

See application file for complete search history.

(56) **References Cited**

**U.S. PATENT DOCUMENTS**

4,917,378 A *	4/1990	Girecky et al.	.....	297/273
D381,831 S *	8/1997	Prehart	.....	D6/347
D396,564 S *	8/1998	Tseng	.....	D6/347

*Primary Examiner* — Ricky Pham

(74) *Attorney, Agent, or Firm* — Barnes & Thornburg LLP

(57) **CLAIM**

The ornamental design for a reclined swing, as shown and described.

**DESCRIPTION**

FIG. 1 is a perspective view of a reclined swing showing my new design;

FIG. 2 is a front elevation view of the reclined swing of FIG. 1;

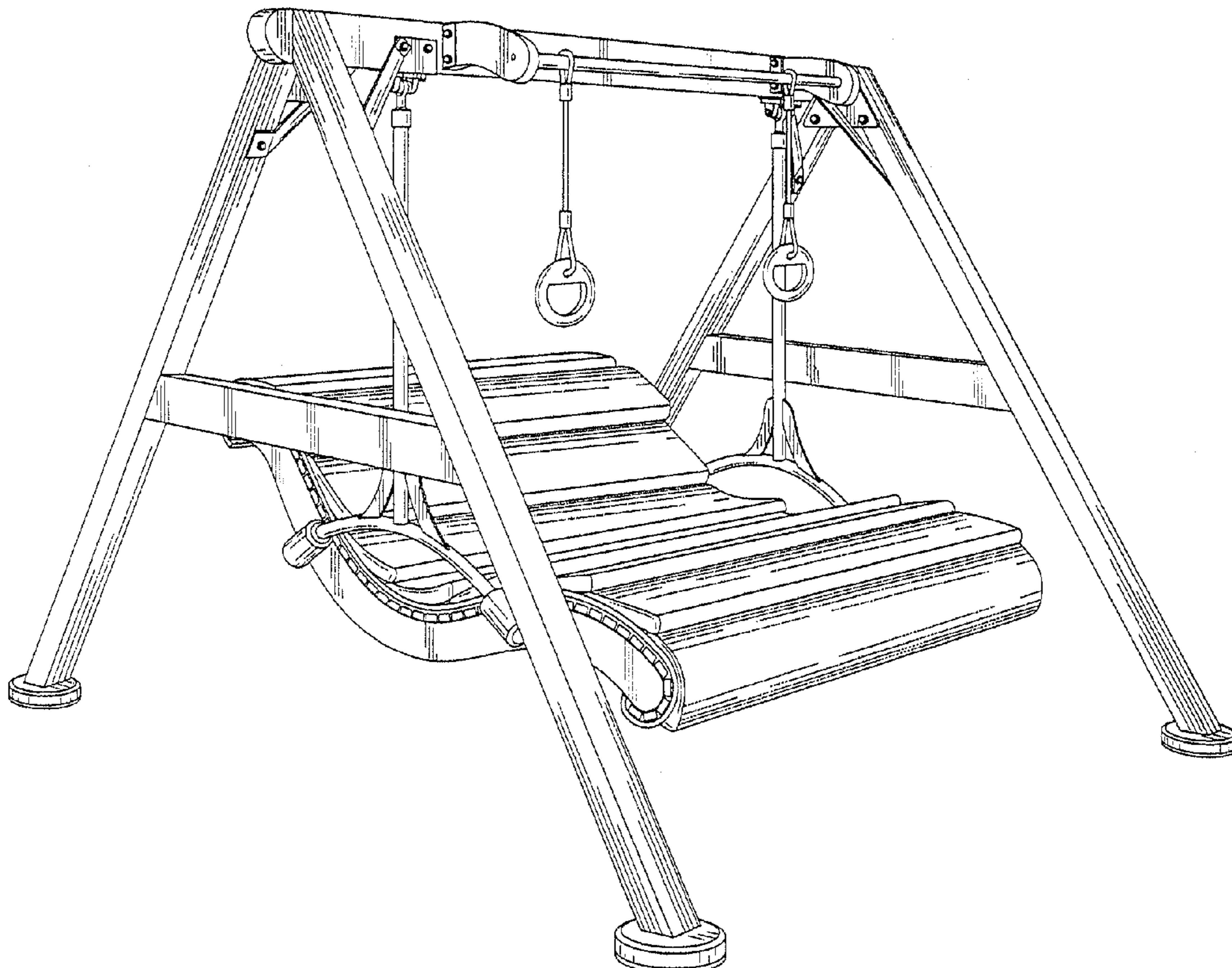
FIG. 3 is a rear elevation view of the reclined swing of FIG. 1;

FIG. 4 is a side view of the reclined swing of FIG. 1, the other side view of this reclined swing would be a mirror image of this view;

FIG. 5 is a top view of the reclined swing of FIG. 1; and,

FIG. 6 is bottom view of the reclined swing of FIG. 1.

**1 Claim, 6 Drawing Sheets**



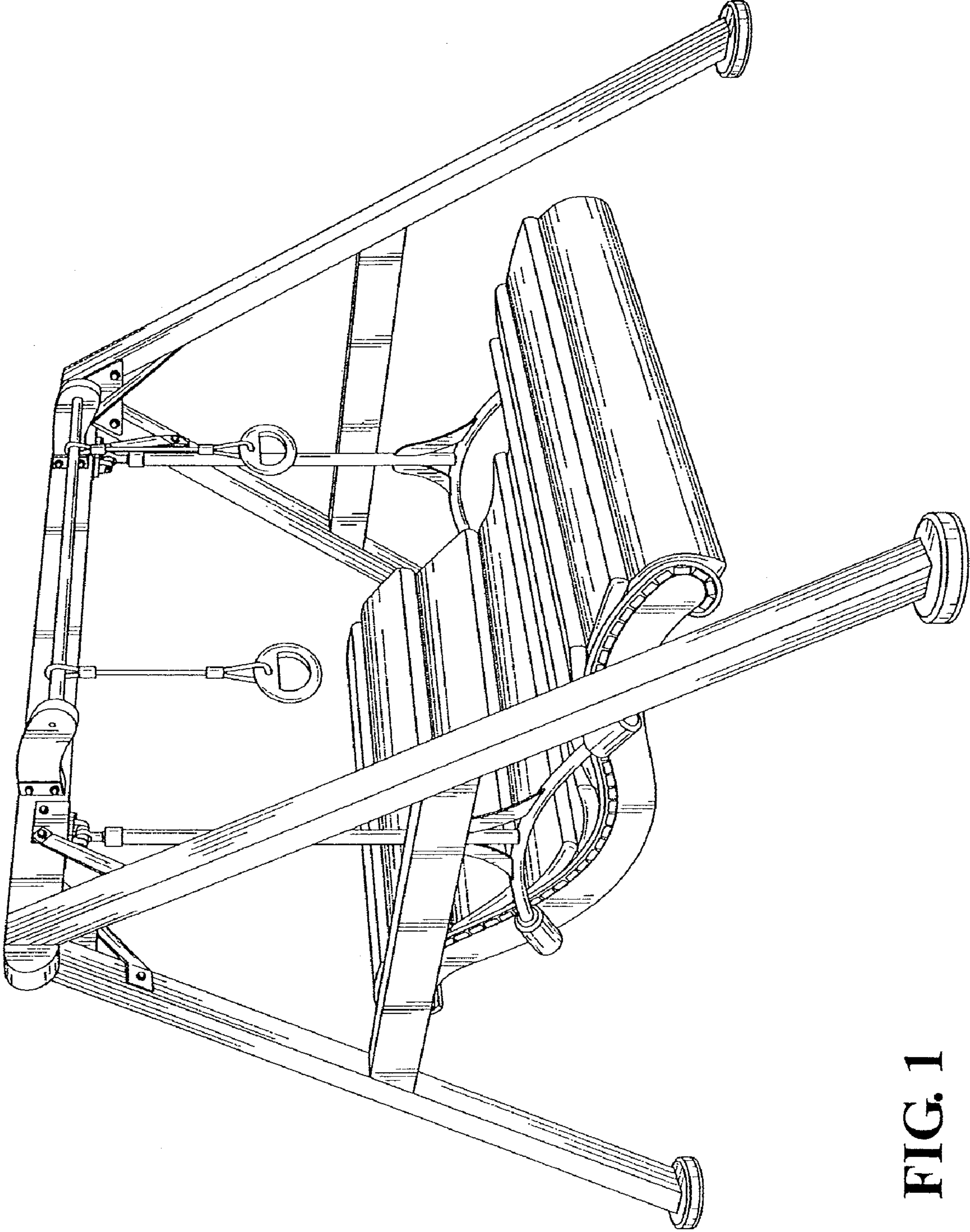


FIG. 1

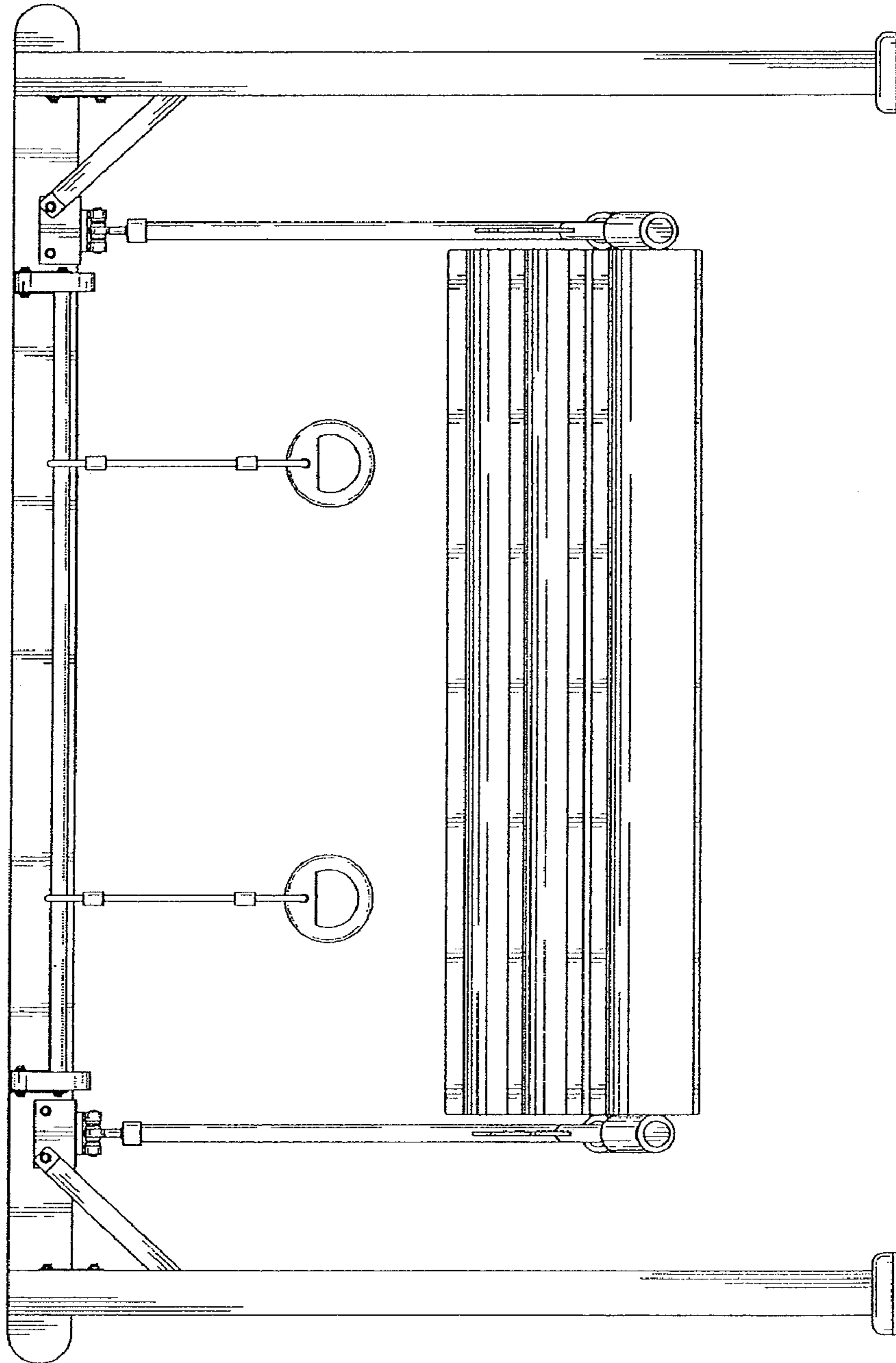


FIG. 2

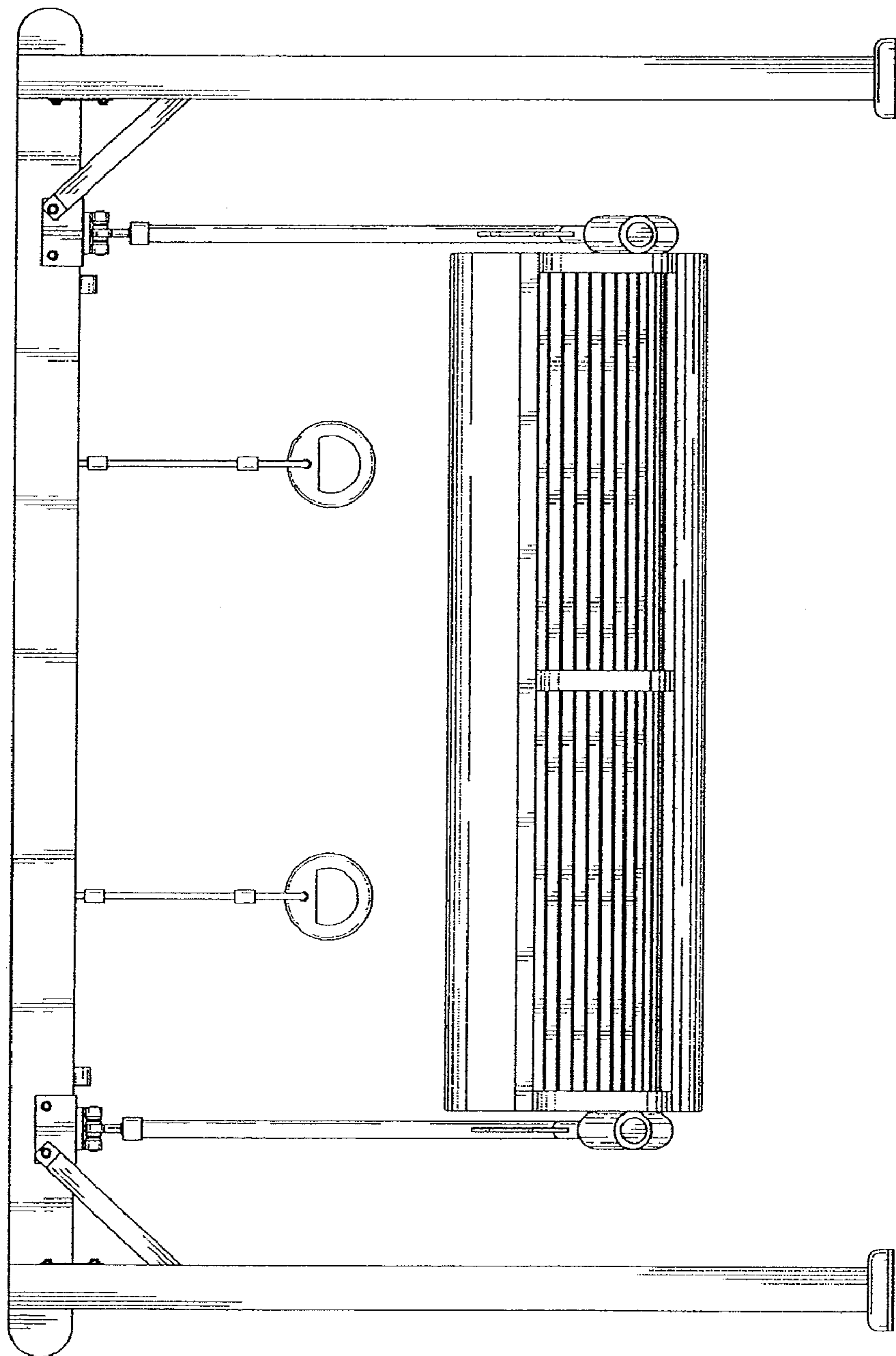


FIG. 3

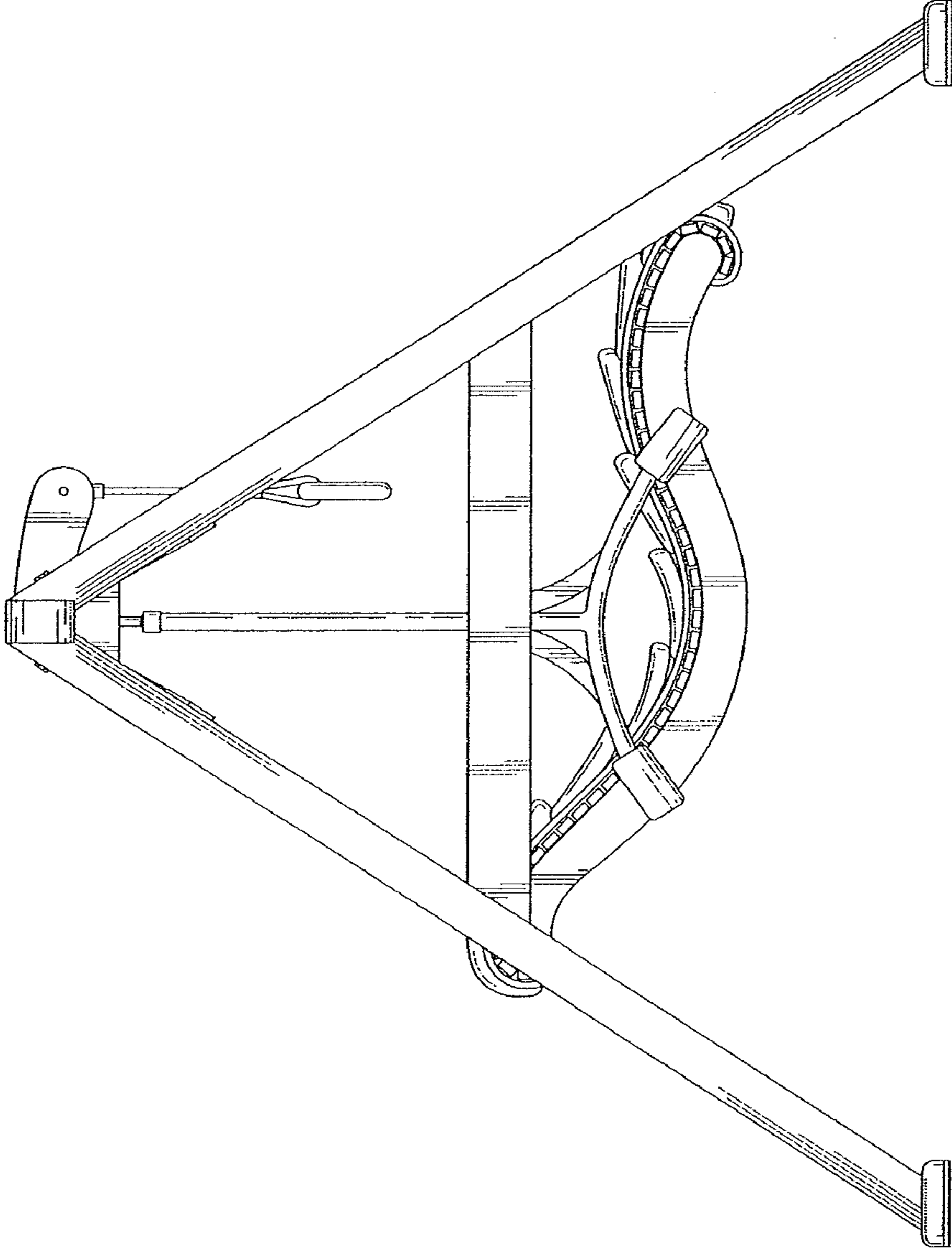


FIG. 4

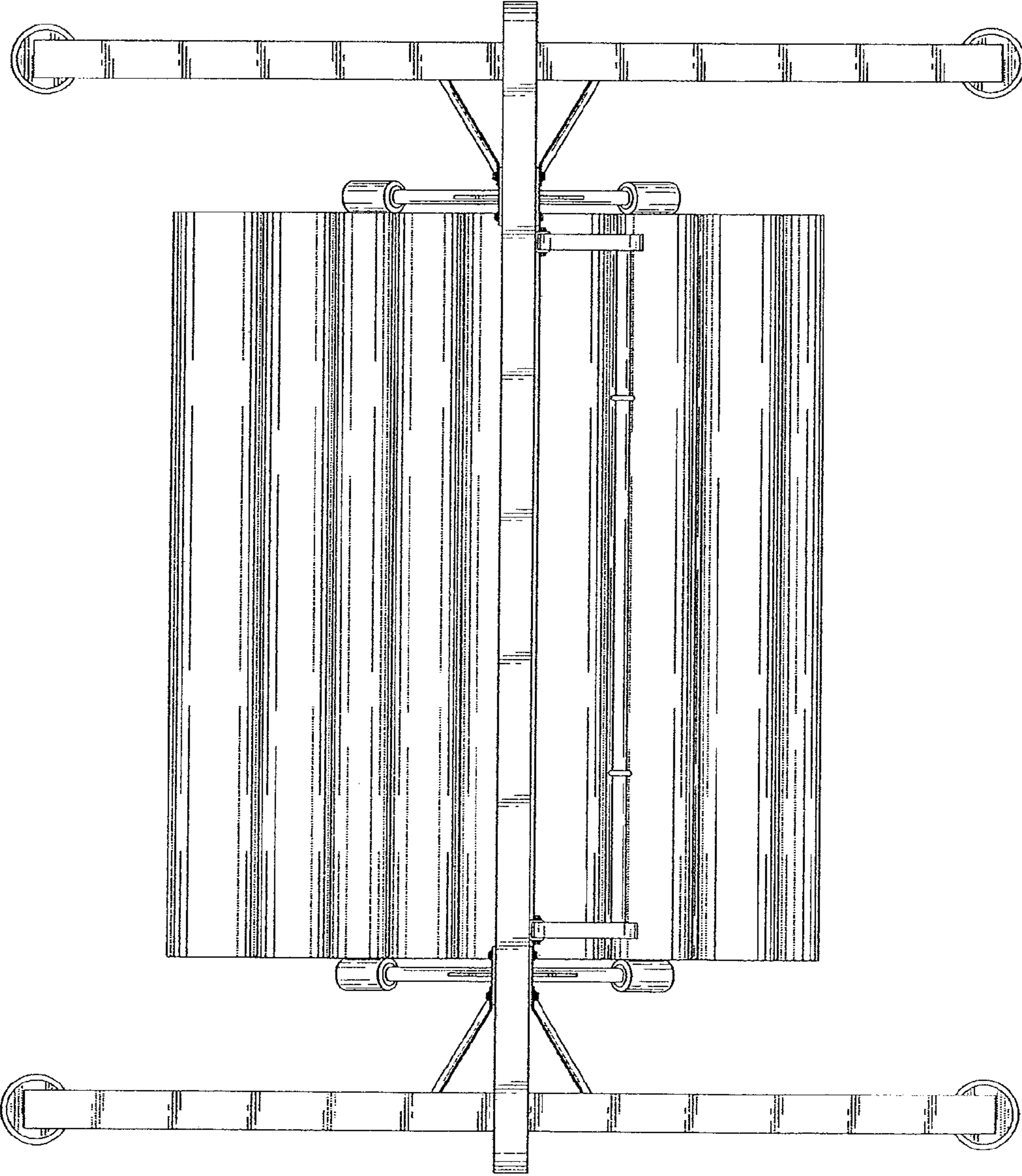


FIG. 5

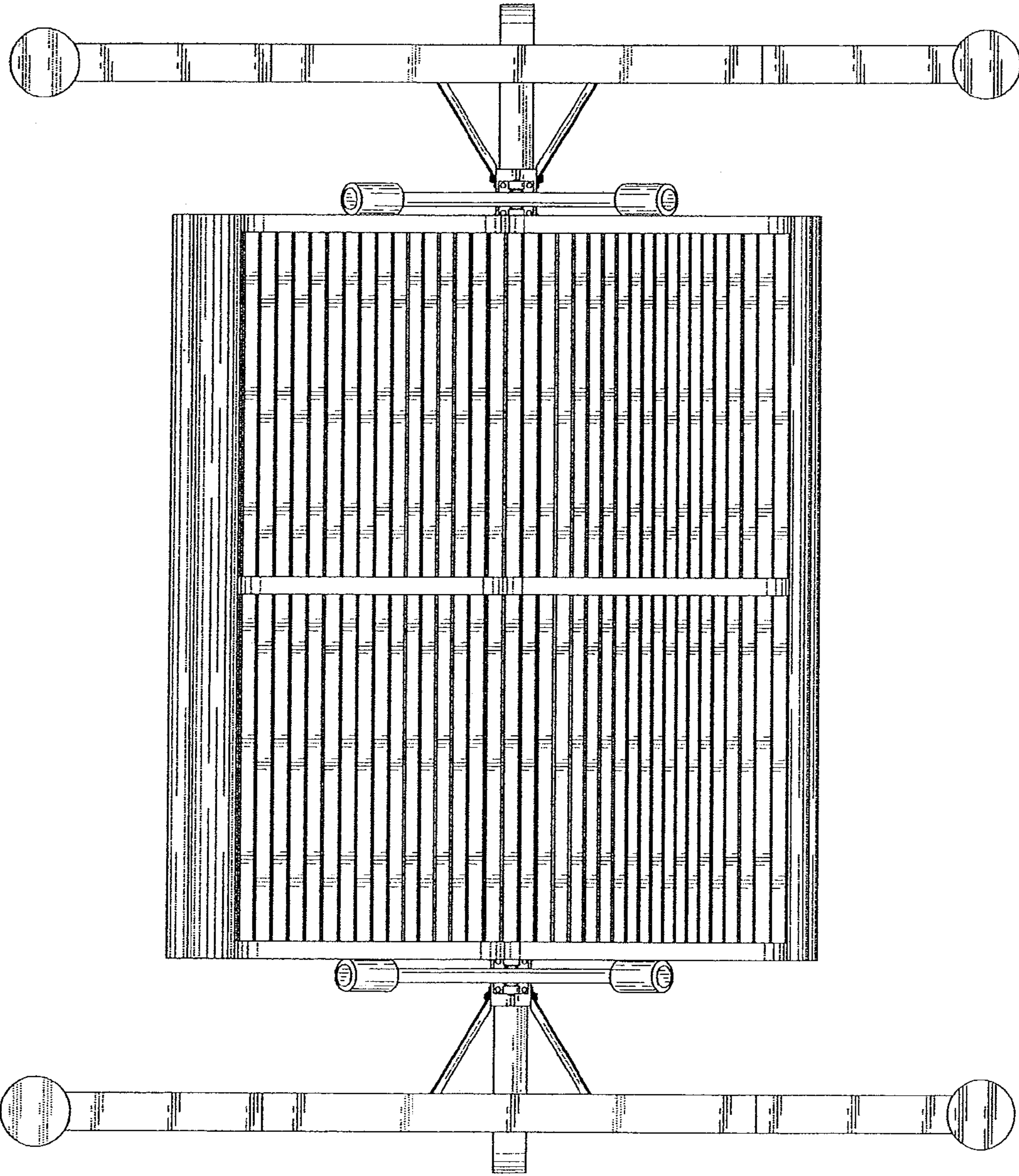


FIG. 6