



US00D670923S

(12) **United States Design Patent**  
**Jane Santamaria**

(10) **Patent No.:** **US D670,923 S**

(45) **Date of Patent:** **\*\* Nov. 20, 2012**

(54) **SUPPORT FOR CARRYCOTS FOR CARS**

(56) **References Cited**

(75) Inventor: **Manuel Jane Santamaria**, Palau de Plegamans (ES)

U.S. PATENT DOCUMENTS

(73) Assignee: **Jane, S.A.**, Palau de Plegamans, Barcelona (ES)

4,943,113	A	*	7/1990	Meeker	.....	297/256.16
D311,822	S	*	11/1990	Meeker	.....	D6/333
D376,919	S	*	12/1996	Sedlack	.....	D6/333
D417,568	S	*	12/1999	Pike	.....	D6/500
D424,311	S	*	5/2000	Geis et al.	.....	D6/333
D438,716	S	*	3/2001	Longenecker	.....	D6/333
D555,402	S	*	11/2007	Hou et al.	.....	D6/500
D555,917	S	*	11/2007	Erli	.....	D6/333
D594,678	S	*	6/2009	Loew et al.	.....	D6/500

(\*\*) Term: **14 Years**

\* cited by examiner

(21) Appl. No.: **29/374,251**

*Primary Examiner* — Caron D Veynar

(22) Filed: **Jul. 18, 2011**

*Assistant Examiner* — Abraham Bahta

(30) **Foreign Application Priority Data**

(74) *Attorney, Agent, or Firm* — Merchant & Gould P.C.

Jan. 19, 2011 (EM) ..... 001807330-0001

(57) **CLAIM**

(51) **LOC (9) Cl.** ..... **06-01**

The ornamental design for a support for carrycots for cars, as shown and described.

(52) **U.S. Cl.** ..... **D6/333**

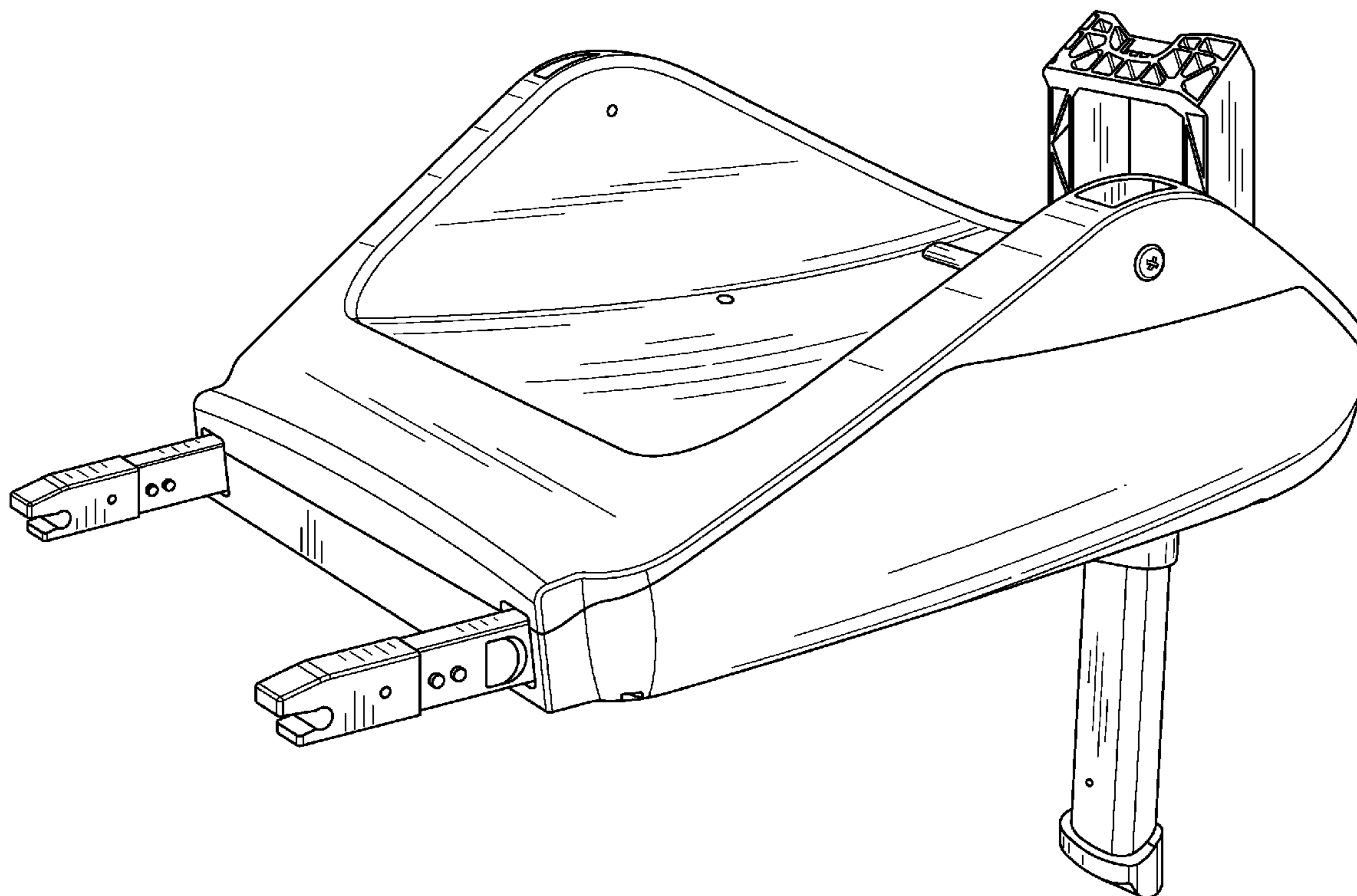
**DESCRIPTION**

(58) **Field of Classification Search** ..... D6/356, D6/390-391, 500-502, 333-336, 339-341, D6/491; 297/130, 183.1-183.4, 229, 250.1, 297/256.15-256.17, 467, 255, 440.1; 5/94, 5/93.1, 101, 103-105, 655; D21/419; D12/129-130, D12/133; 280/30-31

FIG. 1 is a front right perspective view of a support for carrycots for cars showing my new design; FIG. 2 a right rear perspective view thereof; FIG. 3 is a top left front perspective view thereof; and, FIG. 4 is a rear perspective view thereof.

See application file for complete search history.

**1 Claim, 4 Drawing Sheets**



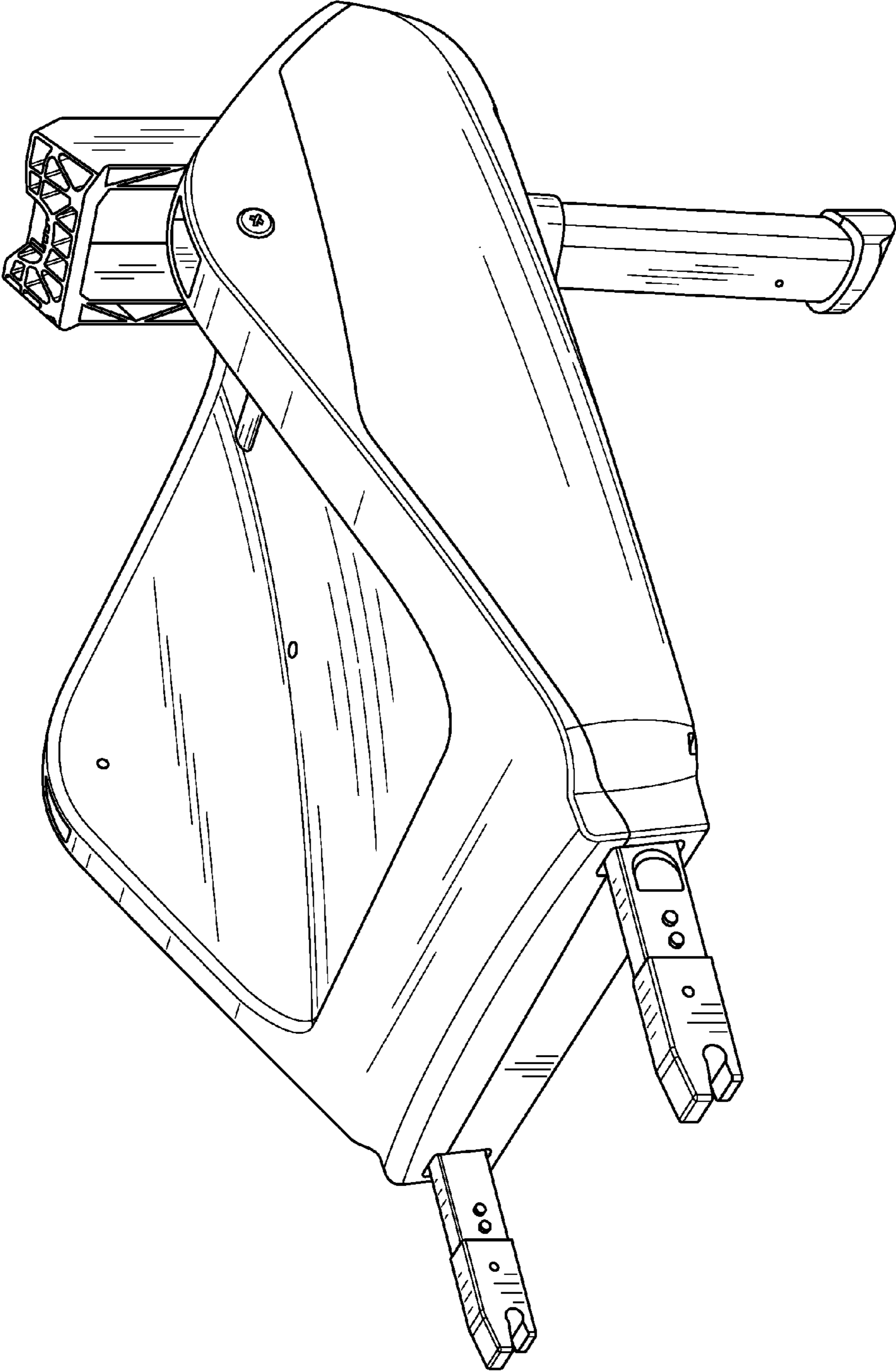


FIG. 1

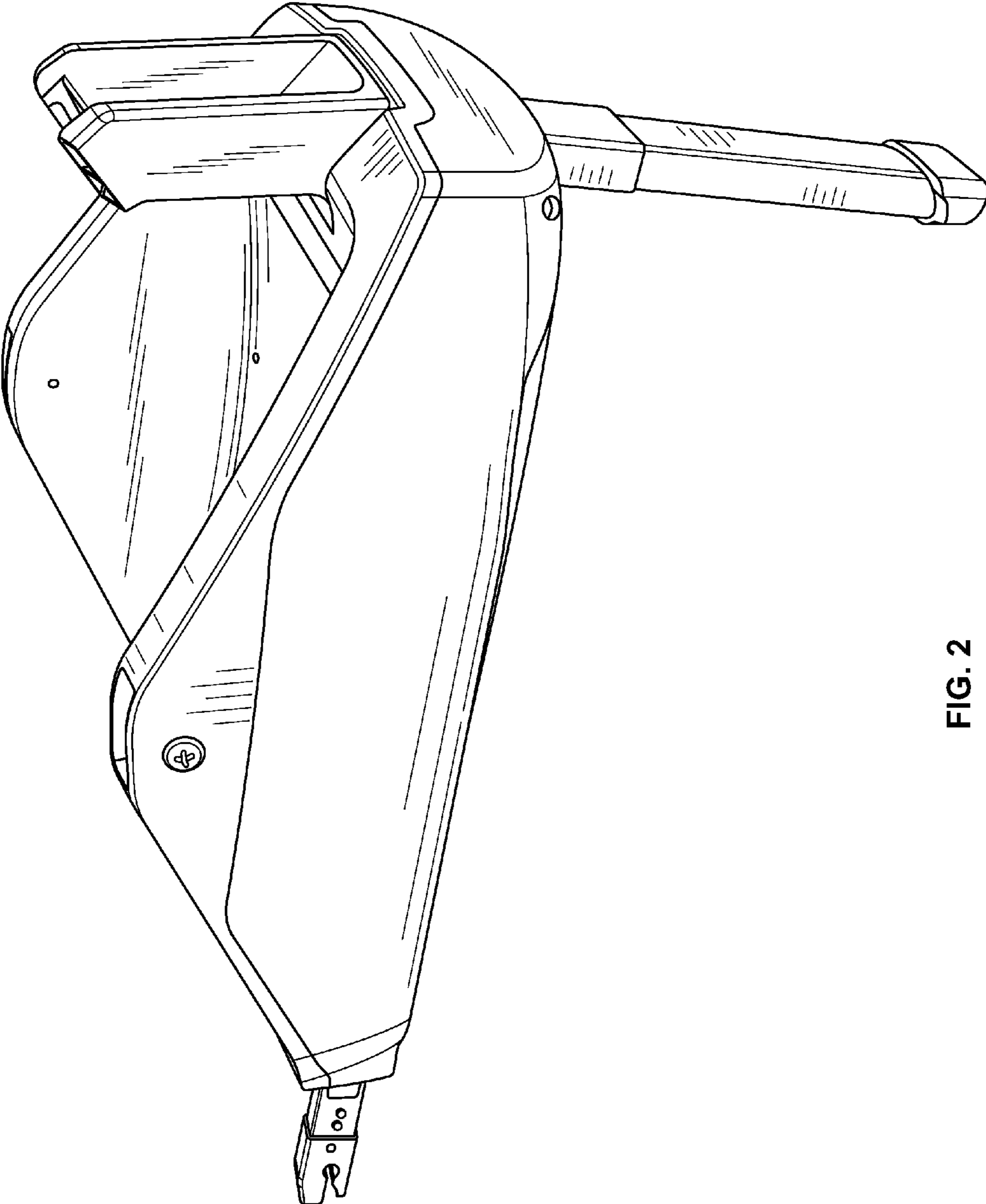


FIG. 2

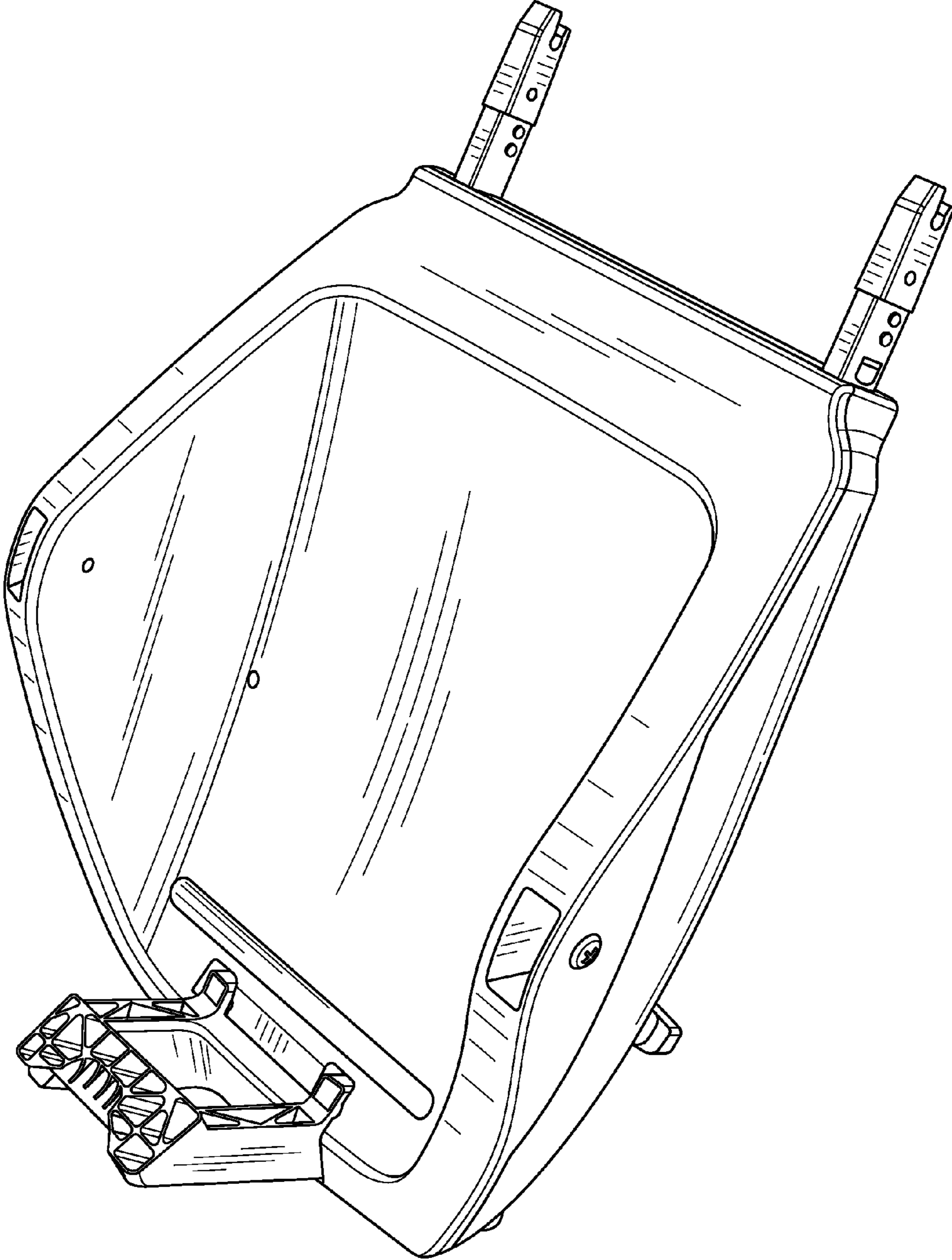


FIG. 3

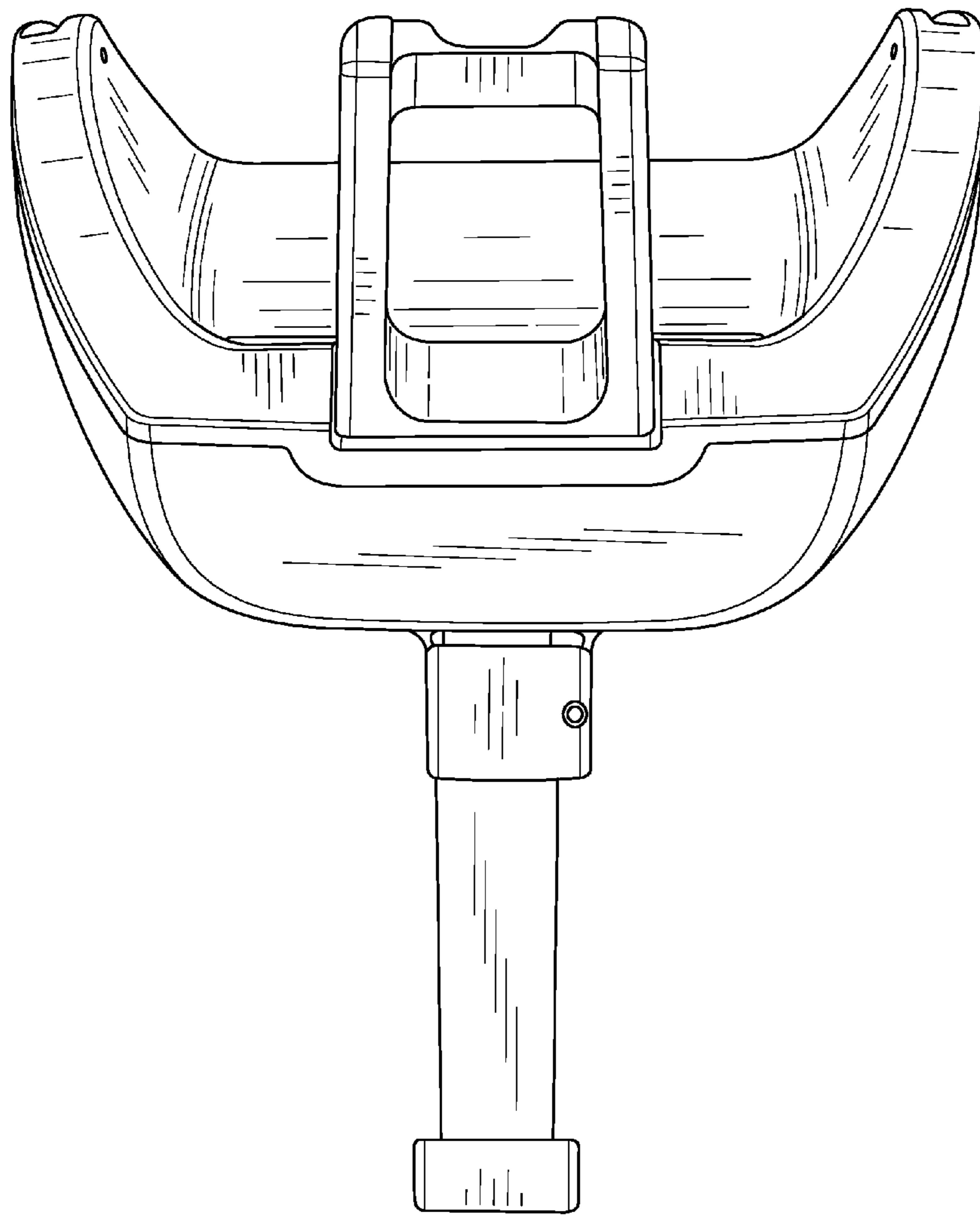


FIG. 4