



US00D670920S

(12) **United States Design Patent**  
**Jones**

(10) **Patent No.:** **US D670,920 S**

(45) **Date of Patent:** **\*\* Nov. 20, 2012**

(54) **GARMENT HANGER**

(75) Inventor: **Michael Edward Jones**, Ruthin (GB)

(73) Assignee: **Mainetti (UK) Limited** (GB)

(\*\*) Term: **14 Years**

(21) Appl. No.: **29/396,571**

(22) Filed: **Jul. 1, 2011**

(51) **LOC (9) Cl.** ..... **06-07**

(52) **U.S. Cl.** ..... **D6/328**

(58) **Field of Classification Search** ..... D6/315,  
D6/317, 318, 319, 328; 211/1, 13.1, 85.3,  
211/183, 105.1, 105.2, 105.3, 106.1; 223/85-98;  
248/74.2, 317, 339; D8/301, 315, 349, 370,  
D8/37, 376, 380, 381; D3/315; 206/300,  
206/348, 806

See application file for complete search history.

(56) **References Cited**

**U.S. PATENT DOCUMENTS**

2,829,811	A *	4/1958	Baschnonga	.....	223/95
5,044,535	A *	9/1991	Hunt	.....	223/95
5,516,014	A *	5/1996	Garrison	.....	223/96
D454,435	S *	3/2002	Willinger	.....	D6/328

D519,139	S *	4/2006	Singleton	.....	D6/326
D612,020	S *	3/2010	Ward	.....	D23/262
D612,619	S *	3/2010	Gouldson	.....	D6/315
D613,078	S *	4/2010	Gouldson	.....	D6/315
D654,277	S *	2/2012	Jones	.....	D6/326
D655,924	S *	3/2012	Gouldson	.....	D6/326

\* cited by examiner

*Primary Examiner* — Prabhakar Deshmukh

(74) *Attorney, Agent, or Firm* — Jack Schwartz & Associates, PLLC

(57) **CLAIM**

The ornamental design for a garment hanger, as shown and described.

**DESCRIPTION**

FIG. 1 is a top plan view of a garment hanger showing my new design;

FIG. 2 is a front elevational view thereof;

FIG. 3 is a right side elevational view thereof;

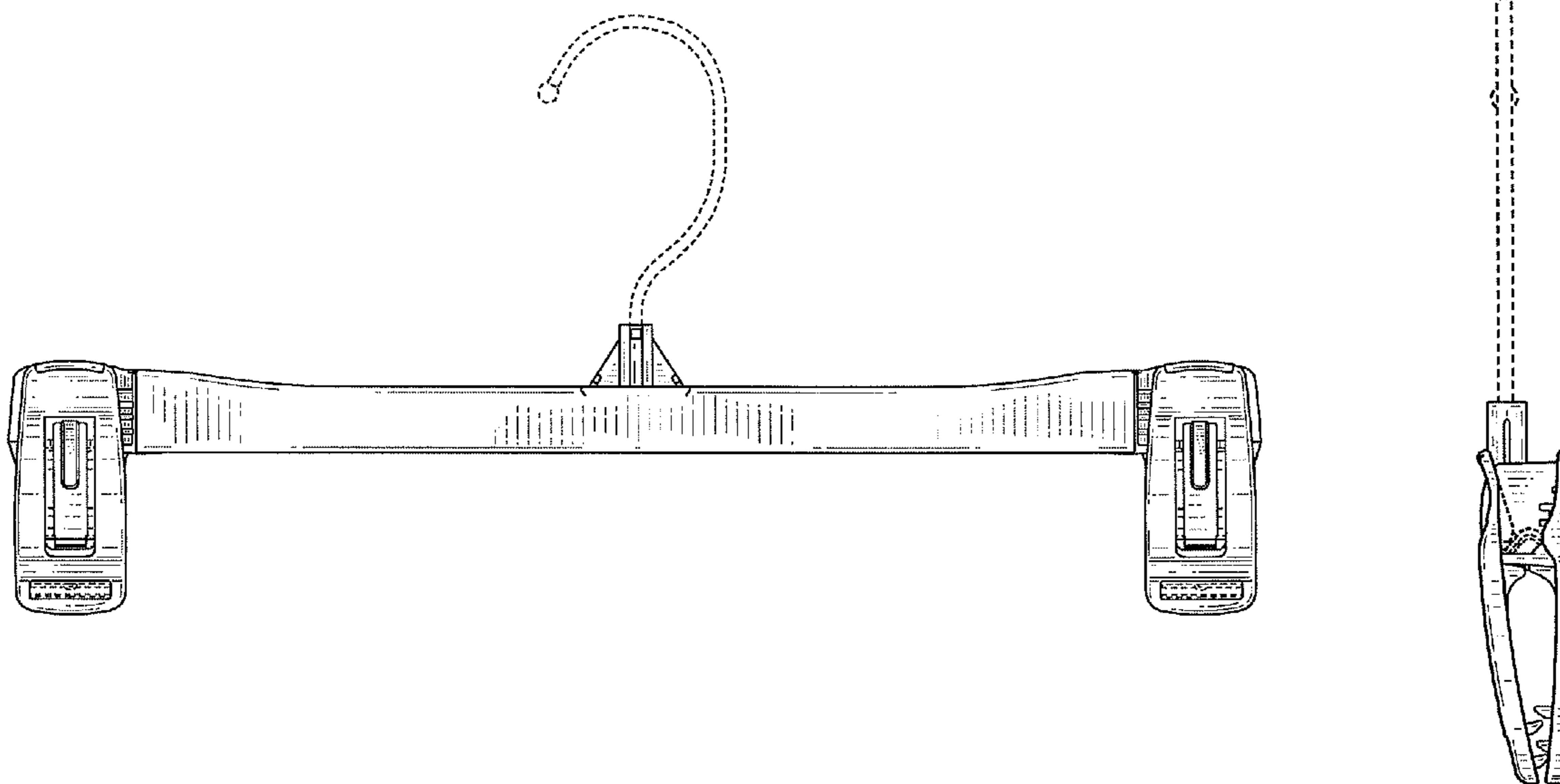
FIG. 4 is a rear elevational view thereof;

FIG. 5 is a bottom plan view thereof; and,

FIG. 6 is a left side elevational view thereof.

The broken lines indicate disclaimed portions and form no part of the claimed design.

**1 Claim, 6 Drawing Sheets**



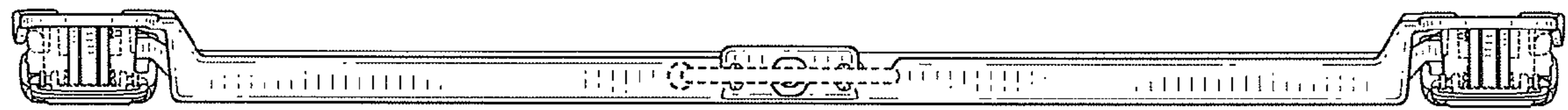


FIG. 1

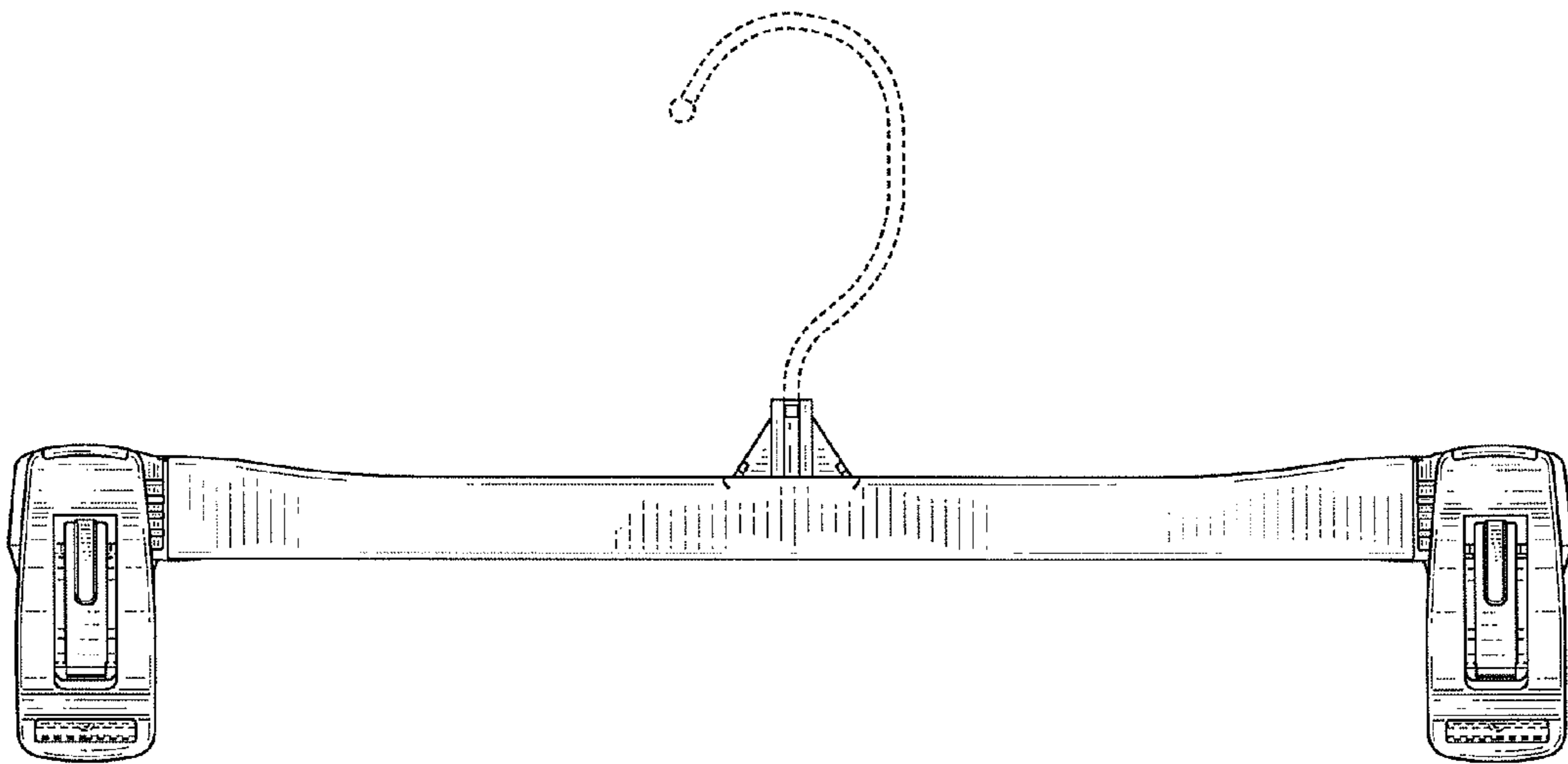


FIG. 2

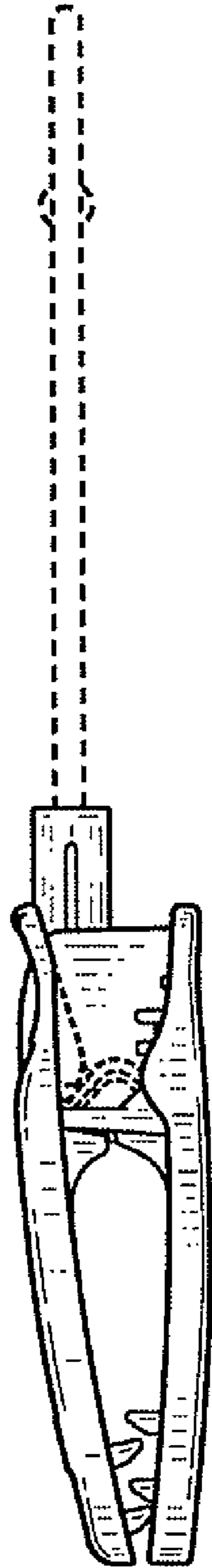


FIG. 3

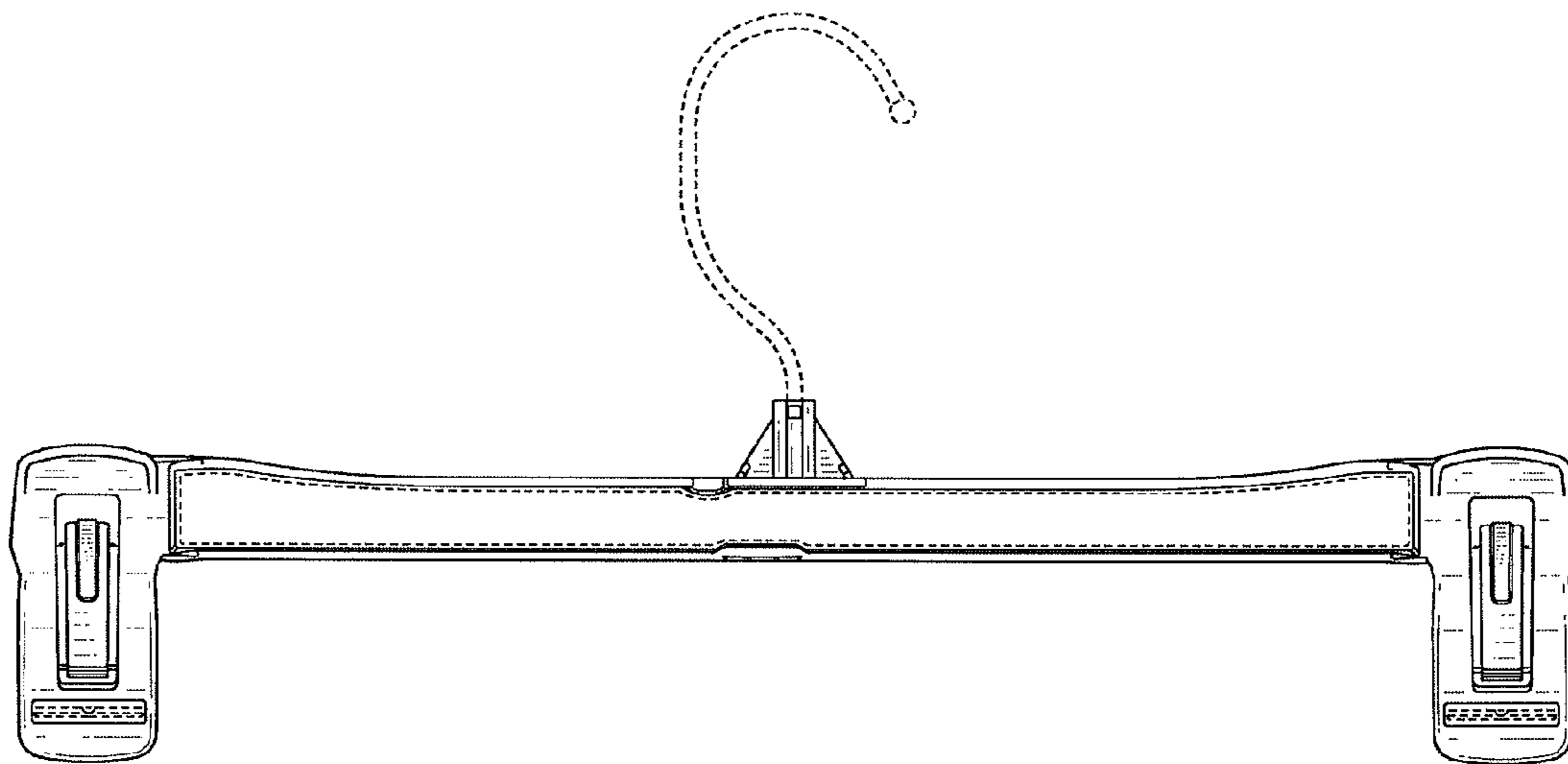


FIG. 4



FIG. 5

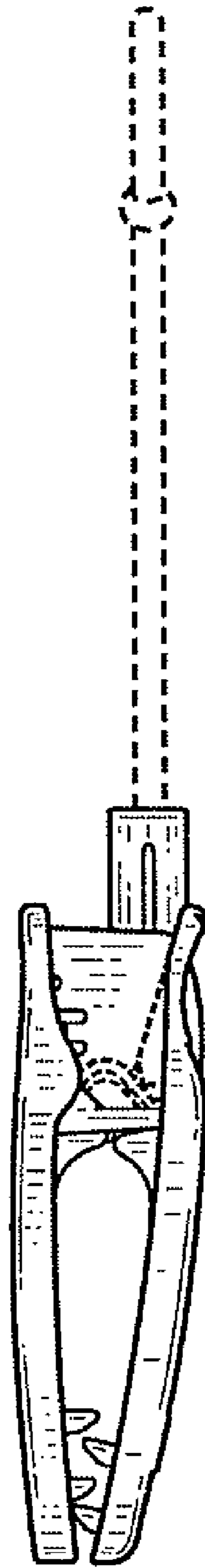


FIG. 6