



US00D670919S

(12) **United States Design Patent**  
**Shamoon**

(10) **Patent No.:** **US D670,919 S**  
(45) **Date of Patent:** **\*\* Nov. 20, 2012**

(54) **COOKBOOK HOLDER**

(76) Inventor: **Ellis N. Shamoon**, Dallas, TX (US)

(\*\*) Term: **14 Years**

(21) Appl. No.: **29/414,884**

(22) Filed: **Mar. 5, 2012**

**Related U.S. Application Data**

(63) Continuation-in-part of application No. 29/386,876, filed on Mar. 4, 2011.

(51) **LOC (9) Cl.** ..... **06-07**

(52) **U.S. Cl.** ..... **D6/312**

(58) **Field of Classification Search** ..... D6/406.4,  
D6/300, 420, 406.3, 553, 310-314, 419;  
D19/52, 88-91; 24/67.3, 67.5; 211/50; 248/447,  
248/455, 460, 463, 464, 451-452, 450; D14/447;  
434/414; 281/45; 362/99; 206/214  
See application file for complete search history.

(56) **References Cited**

**U.S. PATENT DOCUMENTS**

4,420,270	A *	12/1983	Rossello	.....	402/76
D278,918	S *	5/1985	Morcheles	.....	D19/52
4,630,769	A *	12/1986	Ball	.....	232/1 D
D328,985	S *	9/1992	Sheldon	.....	D6/406.4
5,284,445	A *	2/1994	Dietterich et al.	.....	434/419
5,324,076	A *	6/1994	Nieradka	.....	281/45
5,339,950	A *	8/1994	Li	.....	206/45.23
D380,610	S *	7/1997	Corrales	.....	D3/276
D381,197	S *	7/1997	Green et al.	.....	D3/201
5,653,333	A *	8/1997	Webster	.....	206/45.2
D388,263	S *	12/1997	Amerault	.....	D6/419
D398,650	S *	9/1998	Shamoon	.....	D19/88
6,010,158	A *	1/2000	Croteau	.....	281/33
6,164,976	A *	12/2000	Wilson	.....	434/414
D437,709	S *	2/2001	Edstrom	.....	D6/406.4
6,217,075	B1 *	4/2001	Tsai	.....	281/45
D443,999	S *	6/2001	Cable	.....	D6/406.4

D444,178	S *	6/2001	Citron	.....	D19/88
D444,304	S *	7/2001	Polonsky	.....	D6/310
D475,748	S *	6/2003	Shamoon	.....	D19/88
6,637,774	B2 *	10/2003	Gaska	.....	281/45
6,846,090	B1 *	1/2005	Smith	.....	362/99
D517,328	S *	3/2006	Thrall	.....	D6/300
7,090,074	B2 *	8/2006	Isaacs	.....	206/214
D533,596	S *	12/2006	Braddock et al.	.....	D19/88
D534,730	S *	1/2007	Hardy	.....	D6/312
D577,361	S *	9/2008	Beilstein et al.	.....	D14/447
D578,130	S *	10/2008	Sween et al.	.....	D14/447
D578,540	S *	10/2008	Bouwknegt et al.	.....	D14/447
D579,234	S *	10/2008	Decarlo et al.	.....	D6/449
D581,150	S *	11/2008	Chamberlain	.....	D3/201
D588,354	S *	3/2009	Chamberlain	.....	D3/201
D641,177	S *	7/2011	Chamberlain	.....	D6/310
2005/0274852	A1 *	12/2005	Saez et al.	.....	248/121

\* cited by examiner

*Primary Examiner* — Philip S Hyder

*Assistant Examiner* — Sydney Buffalow

(74) *Attorney, Agent, or Firm* — Daniel V. Thompson

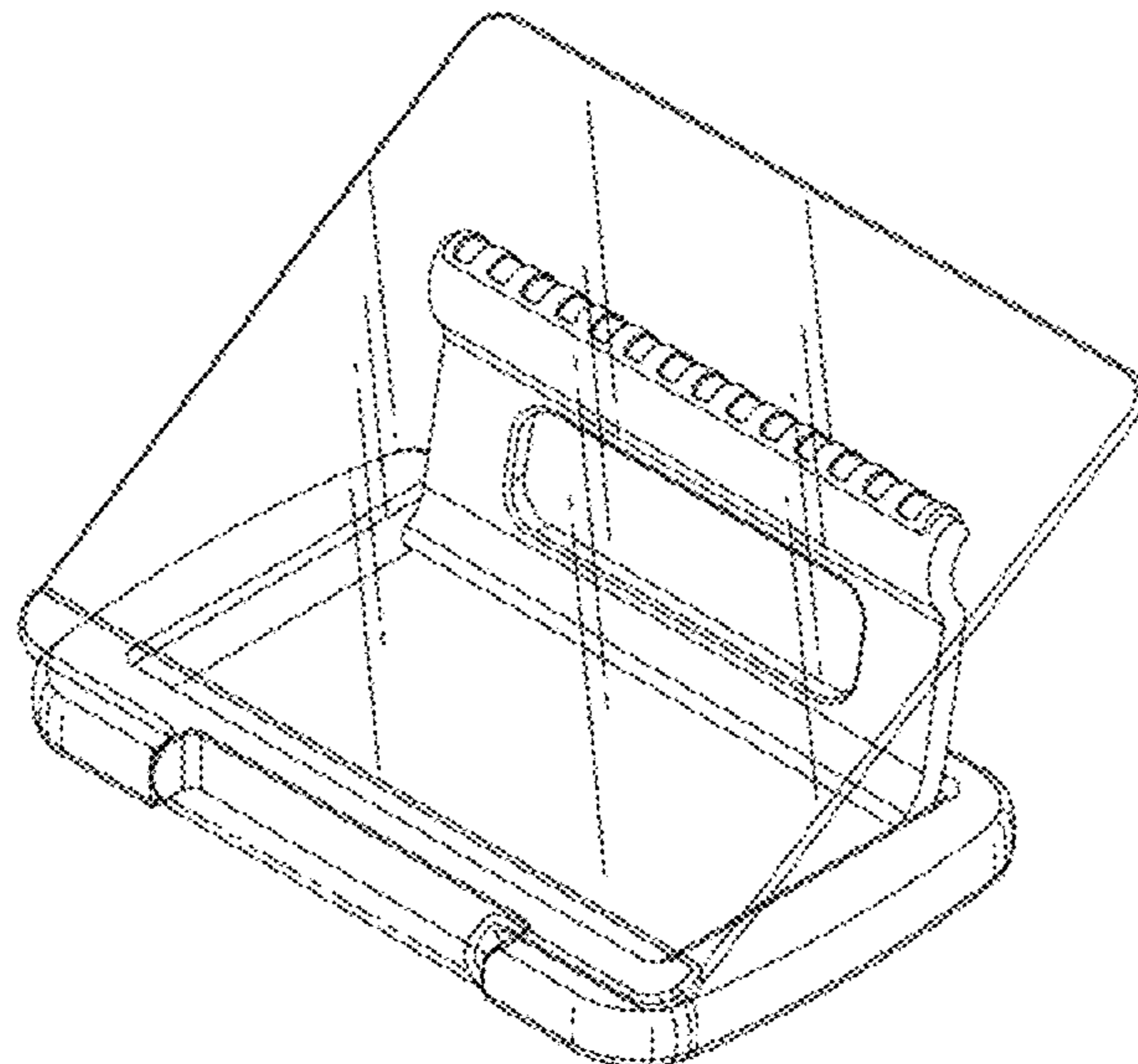
(57) **CLAIM**

The ornamental design for a cookbook holder, as shown and described.

**DESCRIPTION**

FIG. 1 is a front-facing perspective view of the cookbook holder showing my new design; FIG. 2 is a back-side elevational view thereof; FIG. 3 is a front-side elevational view thereof; FIG. 4 is a top-plan view thereof; FIG. 5 is a bottom-plan view thereof; and, FIG. 6 is a right-side elevational view thereof. The broken lines shown in the drawings are directed to environment, and are for informational purposes only and form no part of the claimed design. The cookbook holder of the present invention is symmetrical so that both side views are identical.

**1 Claim, 6 Drawing Sheets**



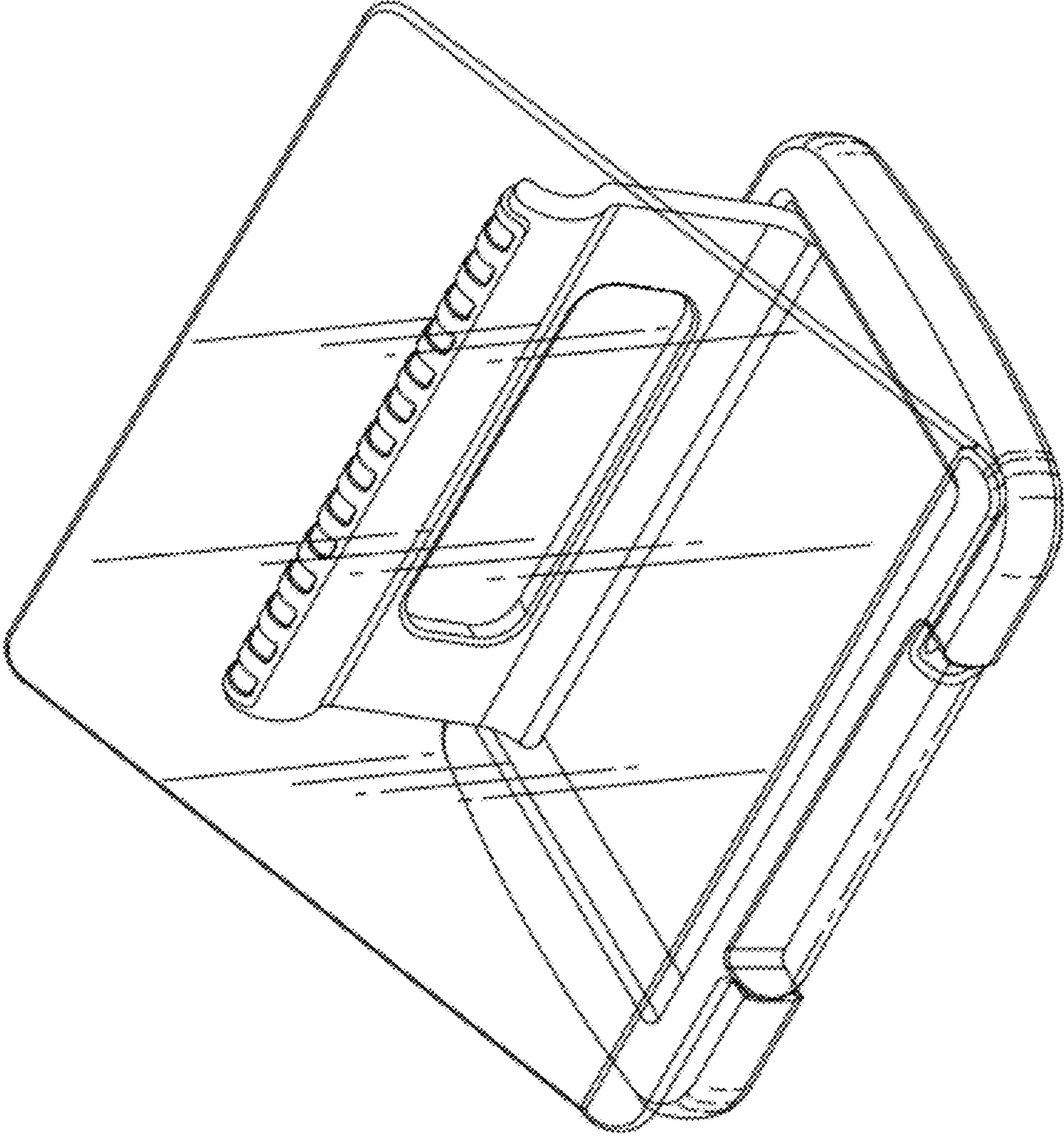


Fig. 1

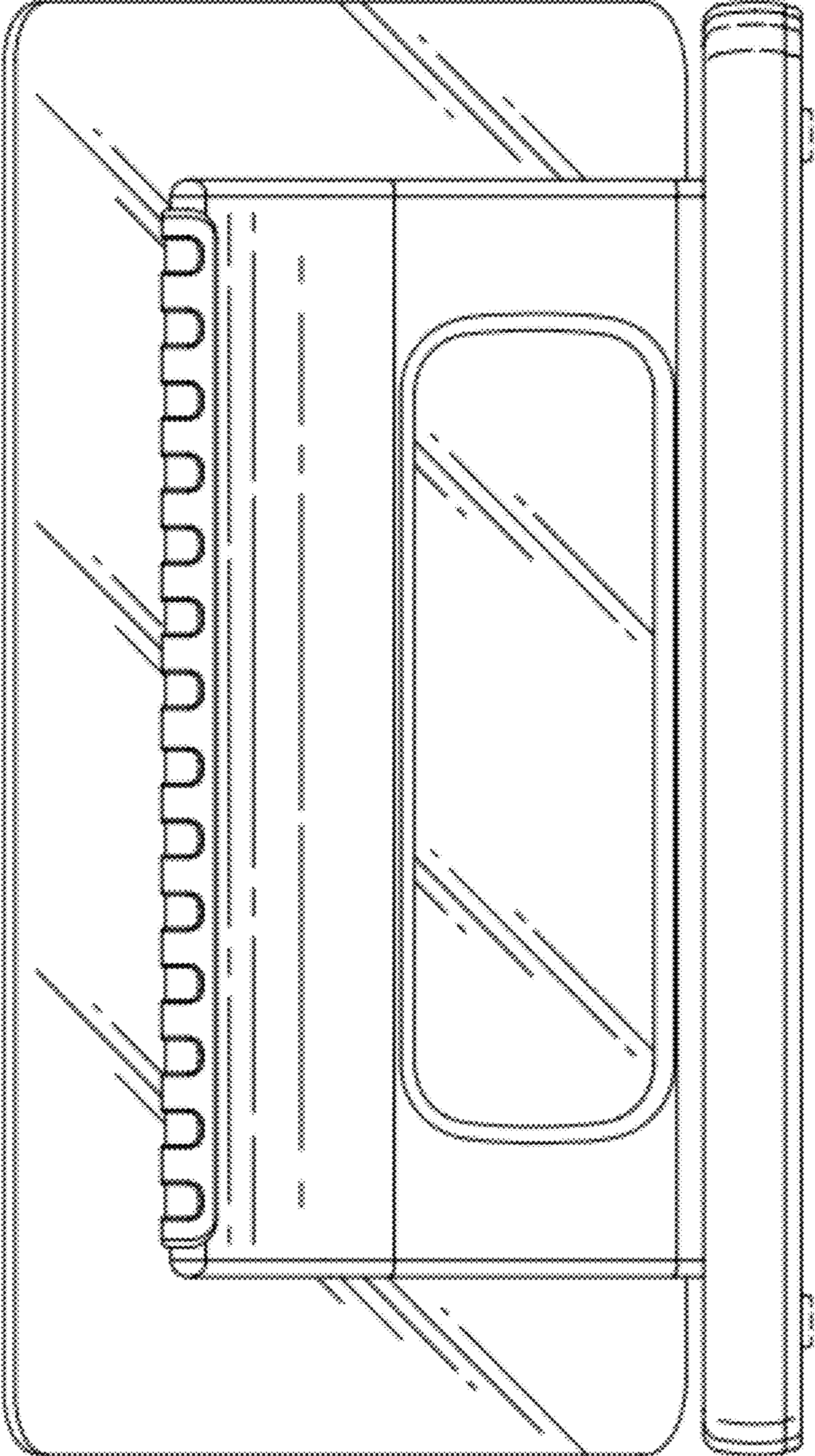


Fig. 2

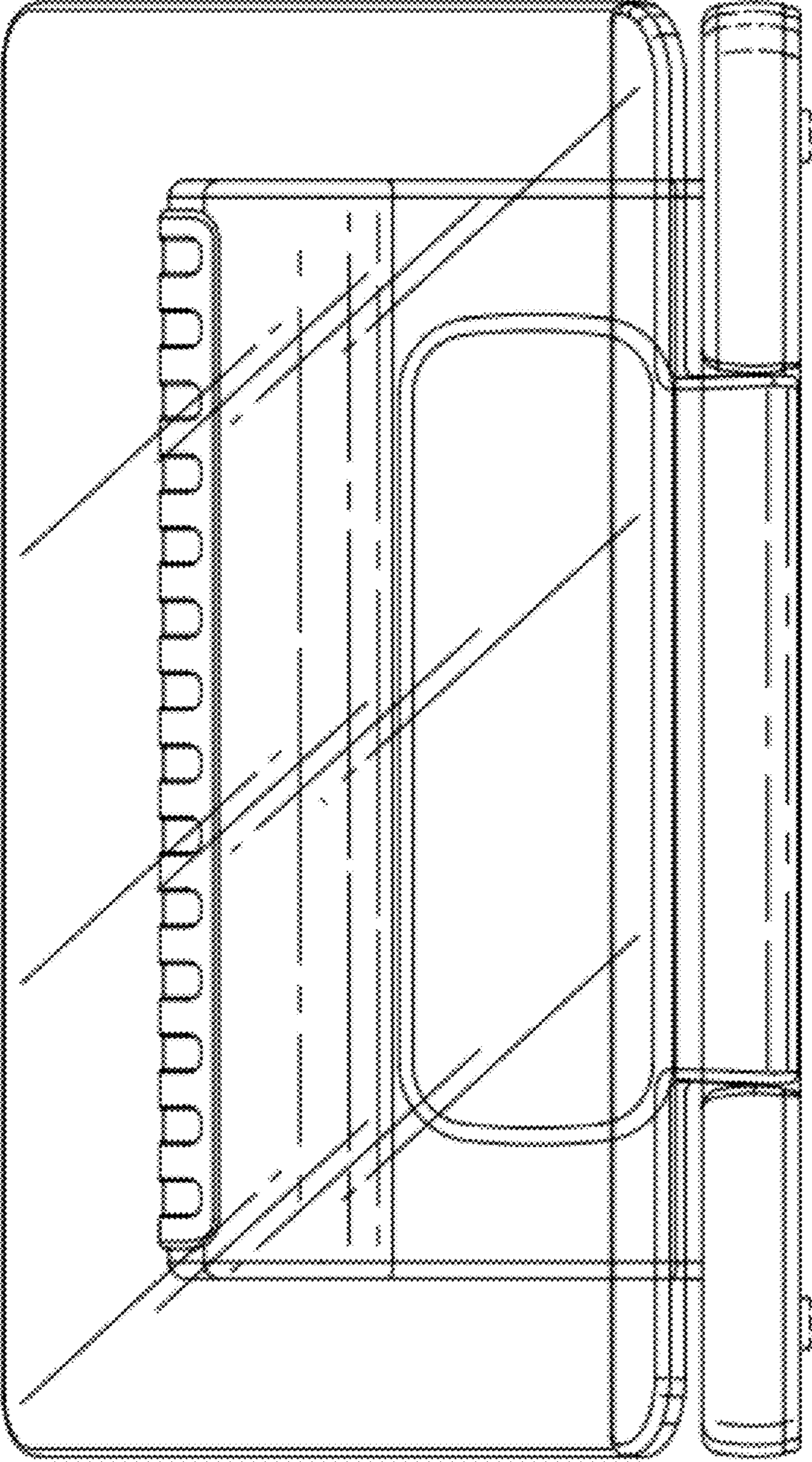


Fig. 3

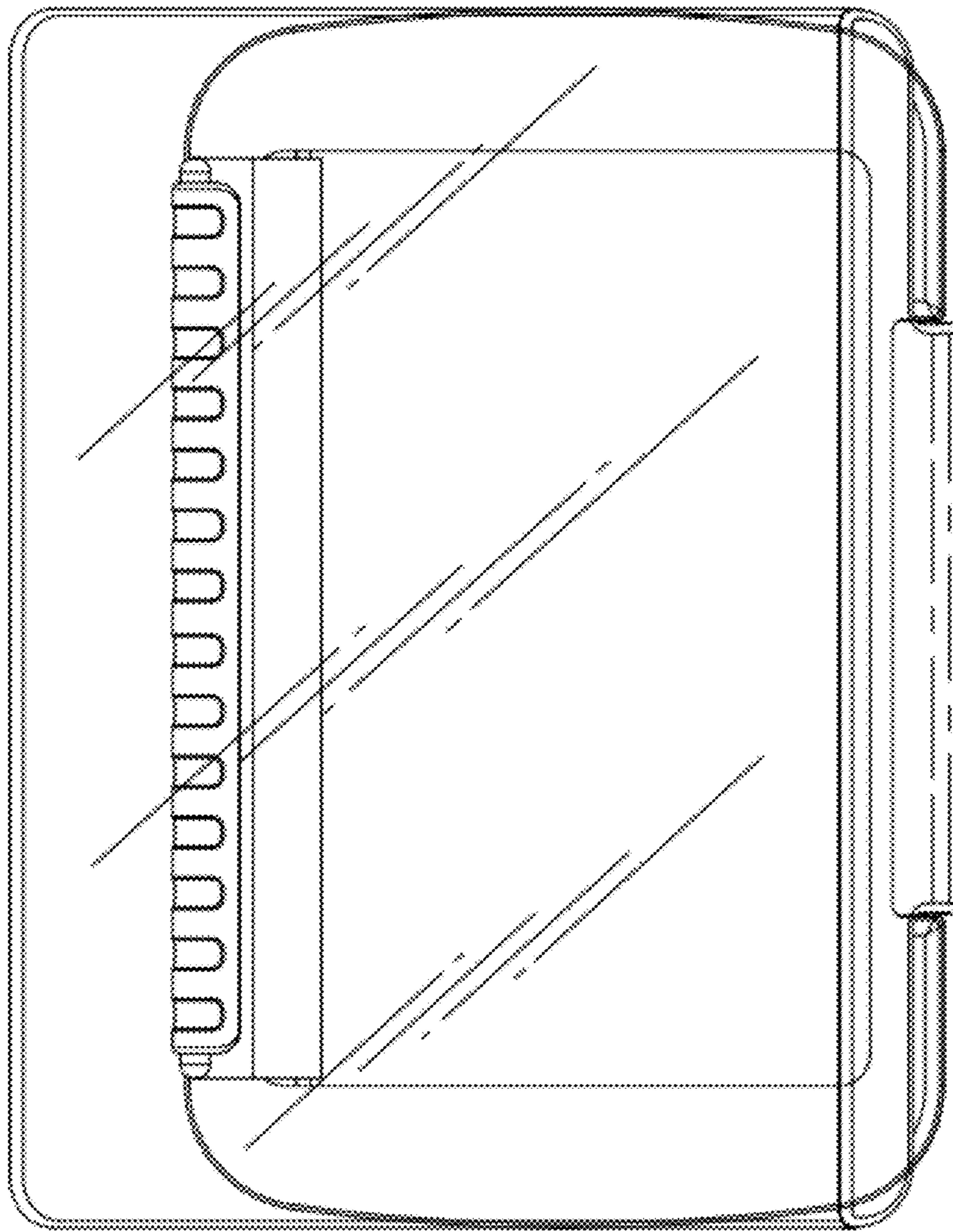


Fig. 4

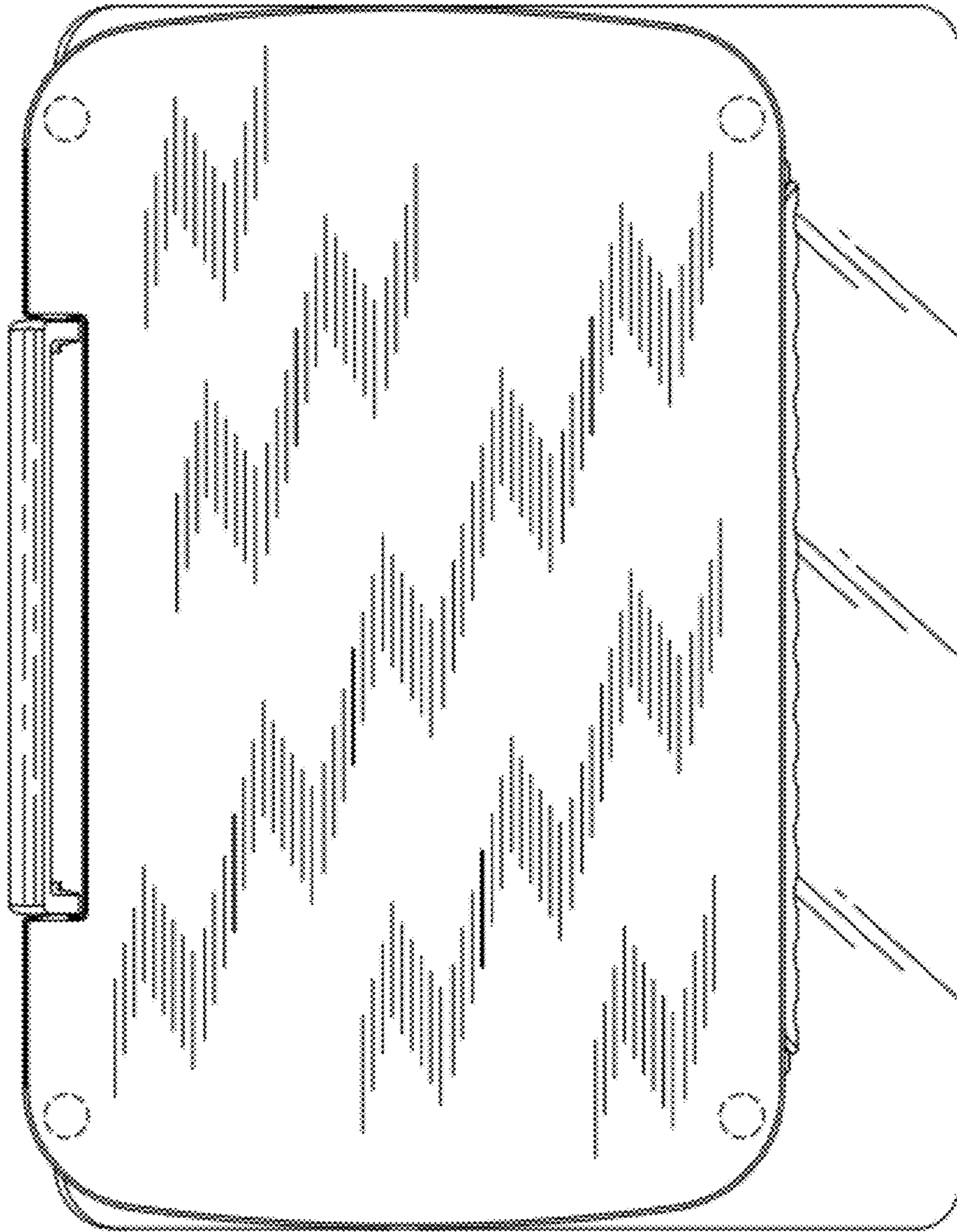


Fig. 5

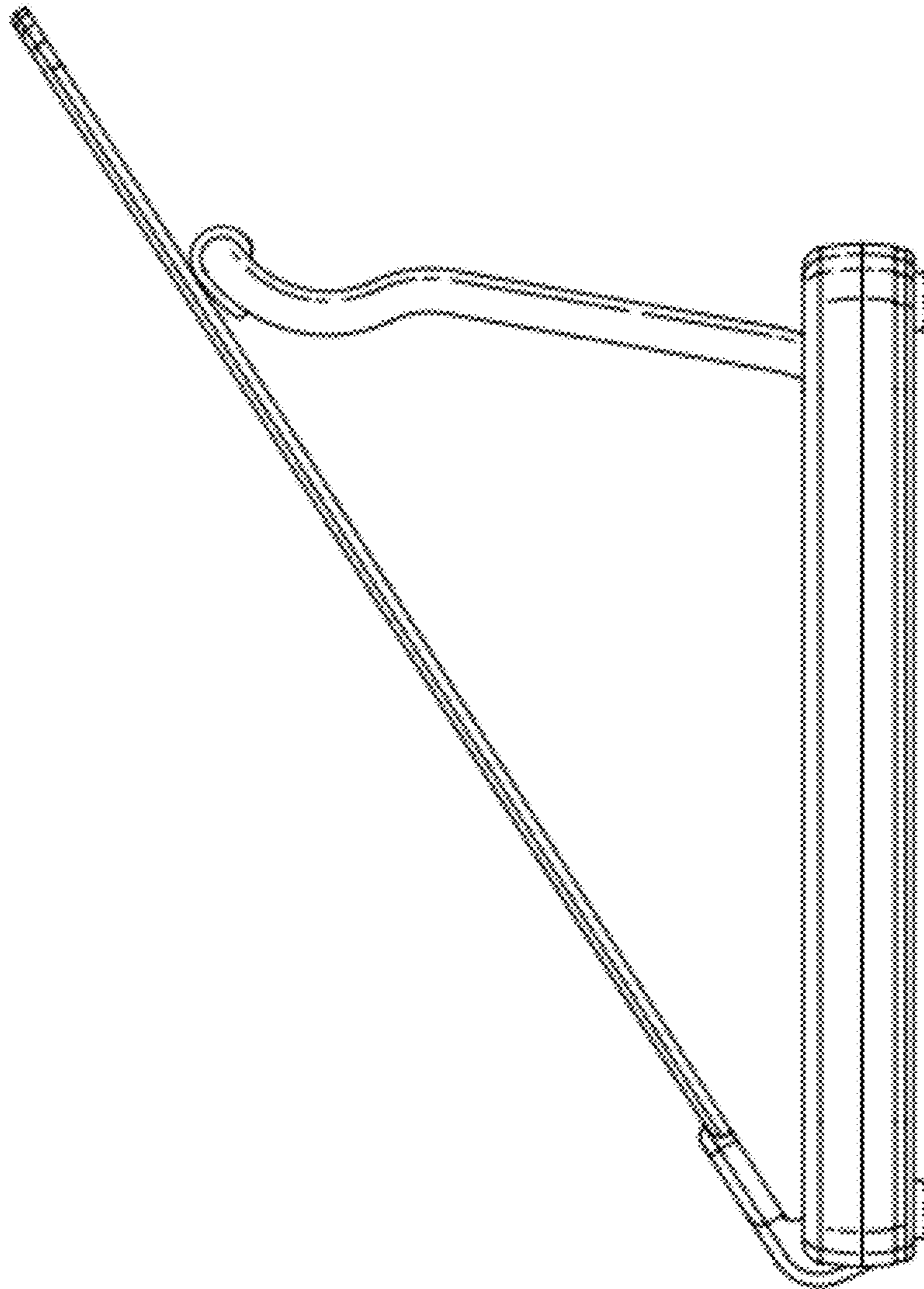


Fig. 6