



US00D670918S

(12) **United States Design Patent**  
**Benjamin**

(10) **Patent No.:** **US D670,918 S**

(45) **Date of Patent:** **\*\* Nov. 20, 2012**

(54) **REMOVABLE BRAND LABEL FOR A GARMENT**

(76) Inventor: **Uwe Benjamin**, North Kingstown, RI (US)

(\*\*) Term: **14 Years**

(21) Appl. No.: **29/403,420**

(22) Filed: **Oct. 5, 2011**

(51) **LOC (9) Cl.** ..... **05-04**

(52) **U.S. Cl.** ..... **D5/63**

(58) **Field of Classification Search** ..... D5/4, 7, D5/11, 43, 47, 50, 53-56, 61, 63, 99; D6/582, D6/602, 612, 613, 617, 622; D24/124-126; D32/40; 4/581; 5/402, 490, 495; 15/208, 15/215; 112/401, 402; 139/383 B, 383 R, 139/416, 420 B, 420 R, 428; 162/111, 116, 162/134, 140, 416; 245/2; 428/32, 37, 39, 428/57, 66.5, 79, 85, 181, 221, 542.6; 442/181, 442/320, 327; 604/385.01; 2/246, 338; 40/654.01, 40/661.04; D2/639; D20/11, 13, 22  
See application file for complete search history.

(56) **References Cited**

**U.S. PATENT DOCUMENTS**

149,158	A *	3/1874	Rowland	.....	118/264
1,990,994	A *	2/1935	Lum	.....	162/134
2,408,224	A *	9/1946	Palmer	.....	40/1.6
2,441,002	A *	5/1948	Berglund	.....	40/1.6
D199,484	S *	11/1964	Engle	.....	D5/64
4,047,651	A *	9/1977	McMullen	.....	224/168
4,580,298	A *	4/1986	Tuisl	.....	2/237
D295,915	S	5/1988	Baptiste		
D332,803	S *	1/1993	Forslund	.....	D20/22
D352,814	S	11/1994	Sherman		
D356,832	S *	3/1995	Maxwell-Trumble et al.	.....	D20/22
5,572,741	A *	11/1996	Bowman	.....	2/81
5,639,529	A *	6/1997	Gozdecki et al.	.....	428/40.1
D385,086	S	10/1997	McKenna		
D407,886	S *	4/1999	Marable	.....	D2/639
D410,148	S *	5/1999	Gotchy	.....	D5/63

5,956,775	A	9/1999	Ezra		
D435,384	S *	12/2000	Finkelstein	.....	D6/613
6,279,170	B1 *	8/2001	Chu	.....	2/246
D455,929	S *	4/2002	Tweel	.....	D6/617
D460,603	S	7/2002	Laber		
D478,452	S *	8/2003	Kafka et al.	.....	D6/583
D490,216	S	5/2004	Powell		

(Continued)

*Primary Examiner* — Karen S Acker

(74) *Attorney, Agent, or Firm* — QuickPatents, Inc.; Kevin Prince

(57) **CLAIM**

I claim the ornamental design for a removable brand label for a garment, as shown and described.

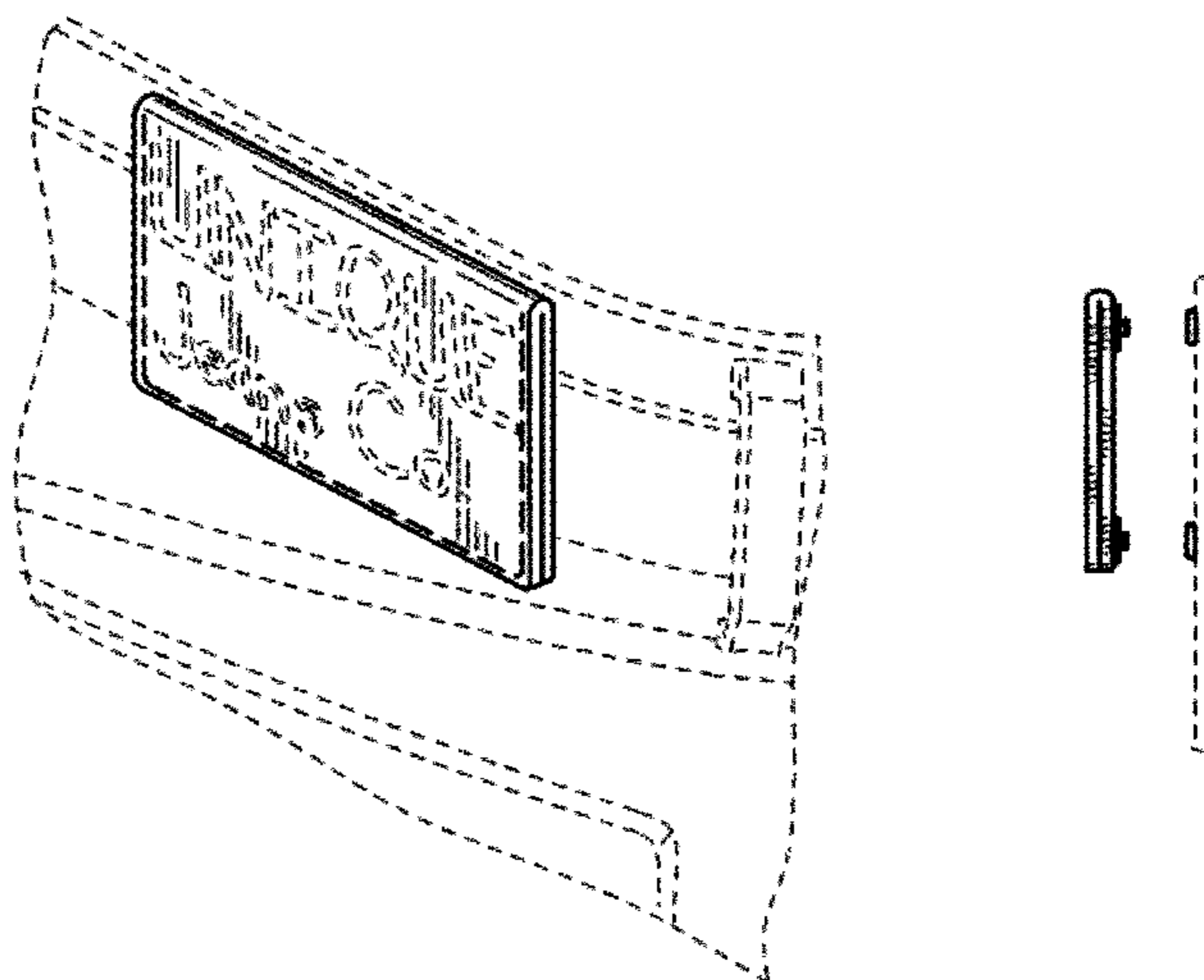
**DESCRIPTION**

FIG. 1 is a perspective view of a removable brand label for a garment, showing a first embodiment of my new design; FIG. 2 is an exploded front elevational view thereof; FIG. 3 is an exploded rear elevational view thereof; FIG. 4 is an exploded left-side elevational view thereof, the right-side elevational view being a mirror image thereof; FIG. 5 is an exploded top plan view thereof; FIG. 6 is an exploded bottom plan view thereof; FIG. 7 is an exploded rear elevational view of a second embodiment; FIG. 8 is an exploded left-side elevational view of FIG. 7, the right-side elevational view being a mirror image thereof; FIG. 9 is an exploded top plan view of FIG. 7; and, FIG. 10 is an exploded bottom plan view of FIG. 7.

In FIGS. 2-10, the design is shown unsnapped from the garment for clarity of disclosure.

The broken lines showing a pair of jeans and a brand logo in the figures depict environmental matter and form no part of the claimed design. The remaining broken lines on the removable brand label represent stitching, and are part of the claimed design. It is understood that the front view of both embodiments is identical.

**1 Claim, 3 Drawing Sheets**



# US D670,918 S

Page 2

---

## U.S. PATENT DOCUMENTS

D500,807	S *	1/2005	Noell et al. ....	D20/27	D628,774	S	12/2010	Sykes et al.	
7,013,509	B2 *	3/2006	Hickman .....	5/485	D643,069	S *	8/2011	Mallozzi et al. ....	D20/22
D543,008	S	5/2007	Berry et al.		D653,017	S *	1/2012	Hamlin .....	D2/639
D579,194	S *	10/2008	Caylor .....	D2/976	2003/0070338	A1 *	4/2003	Roshkoff .....	40/638
7,467,593	B2 *	12/2008	Jurnovoy .....	112/475.18	2007/0118977	A1 *	5/2007	Brier .....	2/338
D603,612	S *	11/2009	Schultz .....	D5/63	2010/0175168	A1	7/2010	Yari	
D606,284	S	12/2009	Caten et al.						

\* cited by examiner

FIG. 1

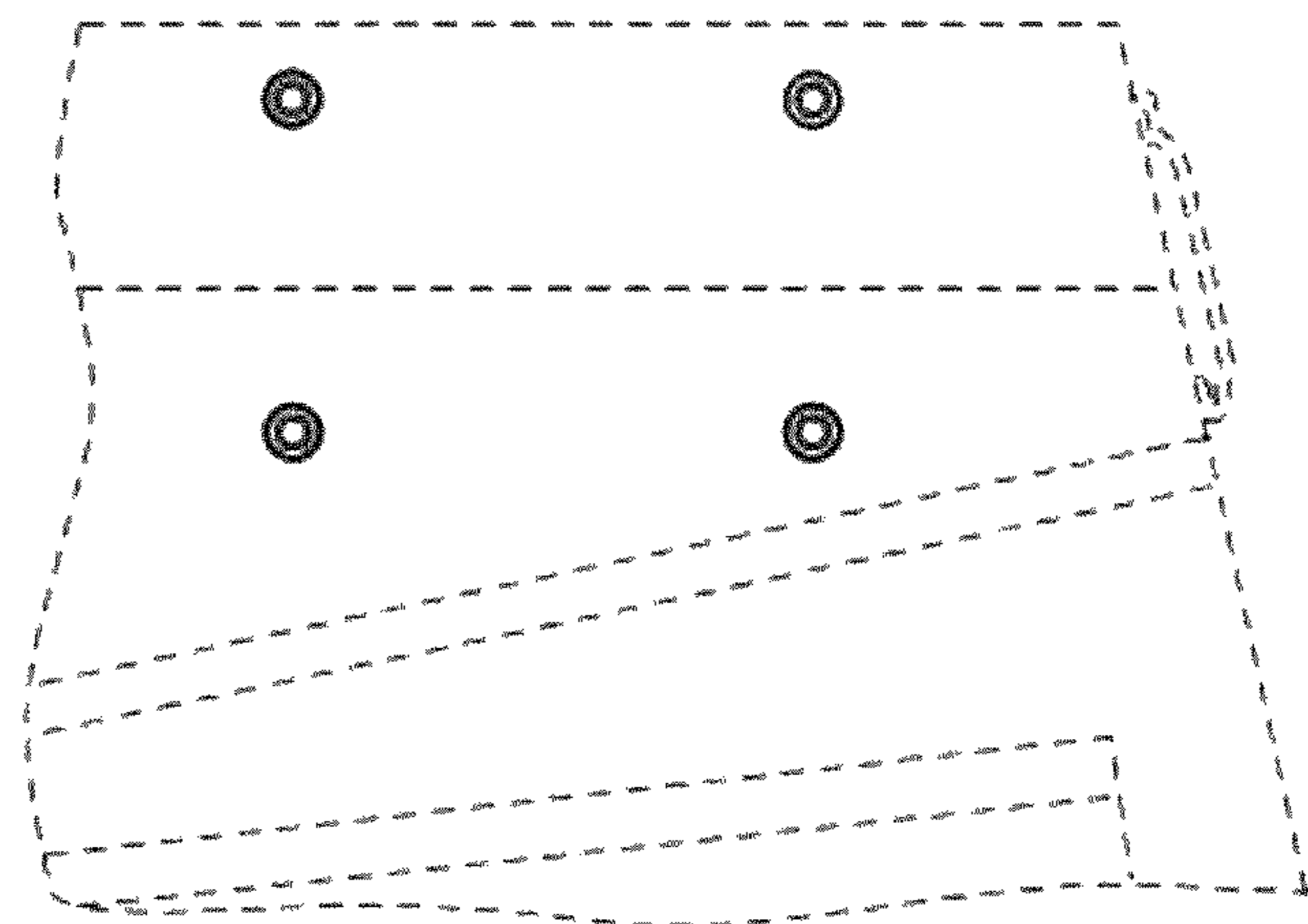
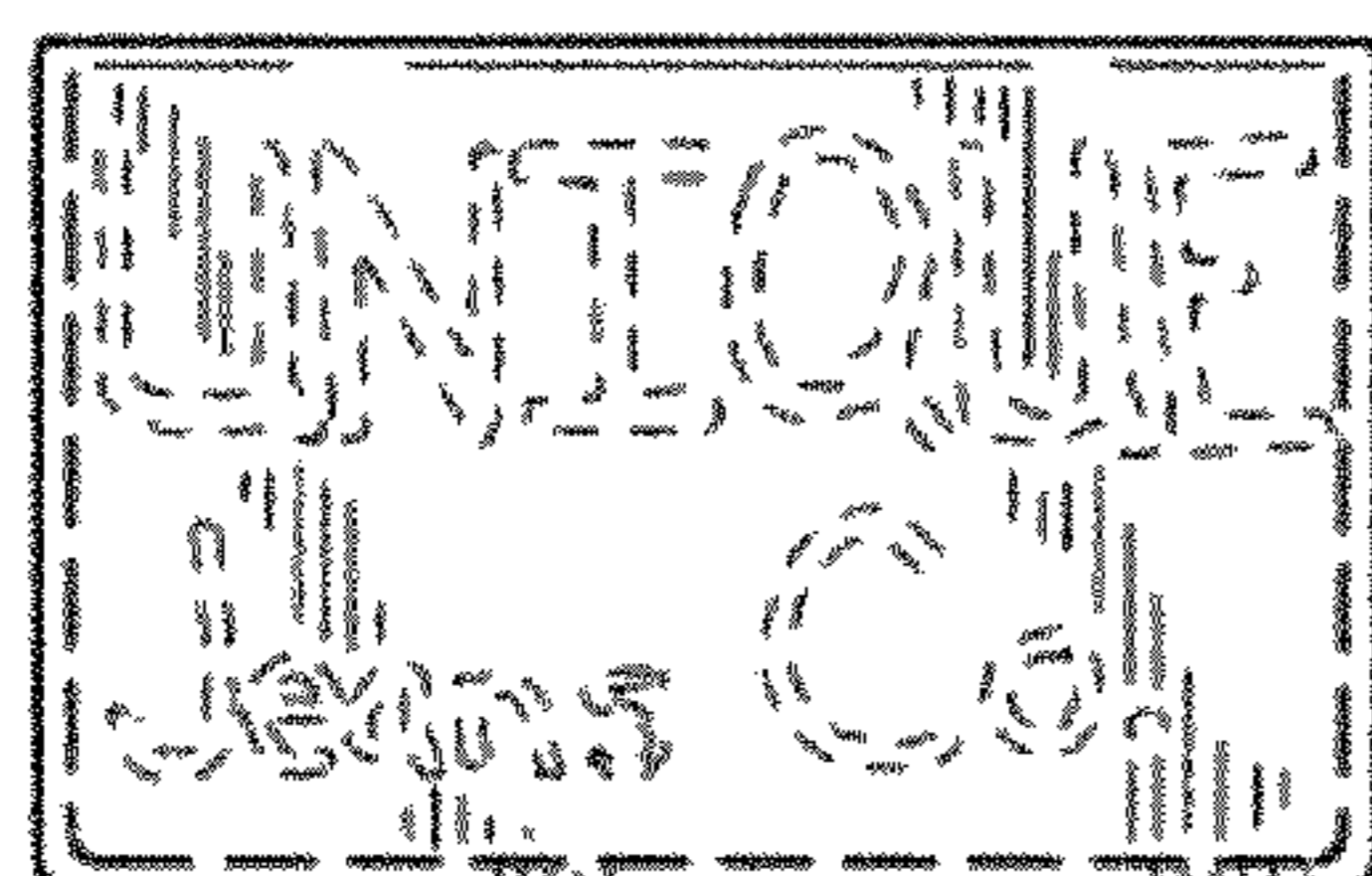
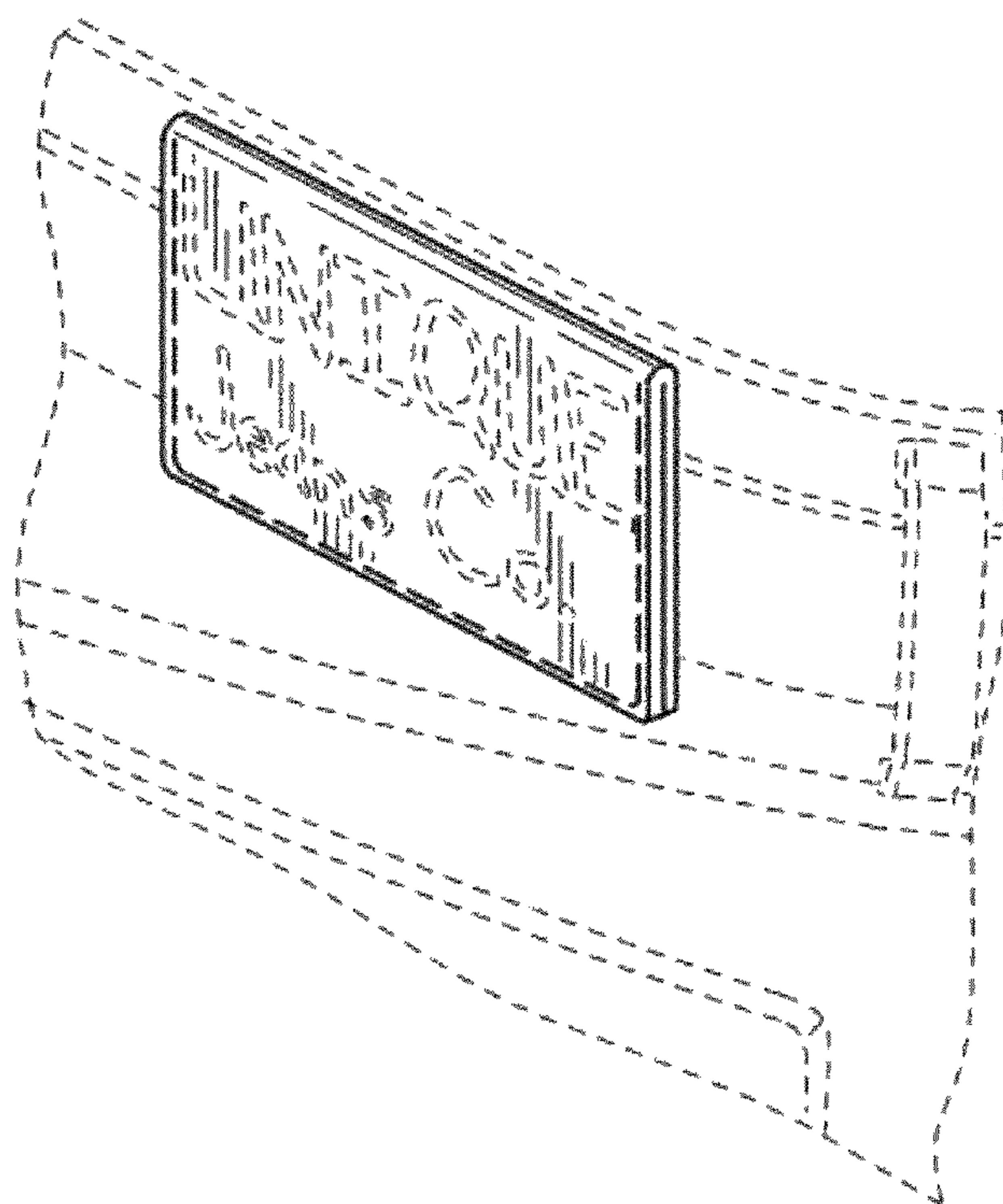


FIG. 2

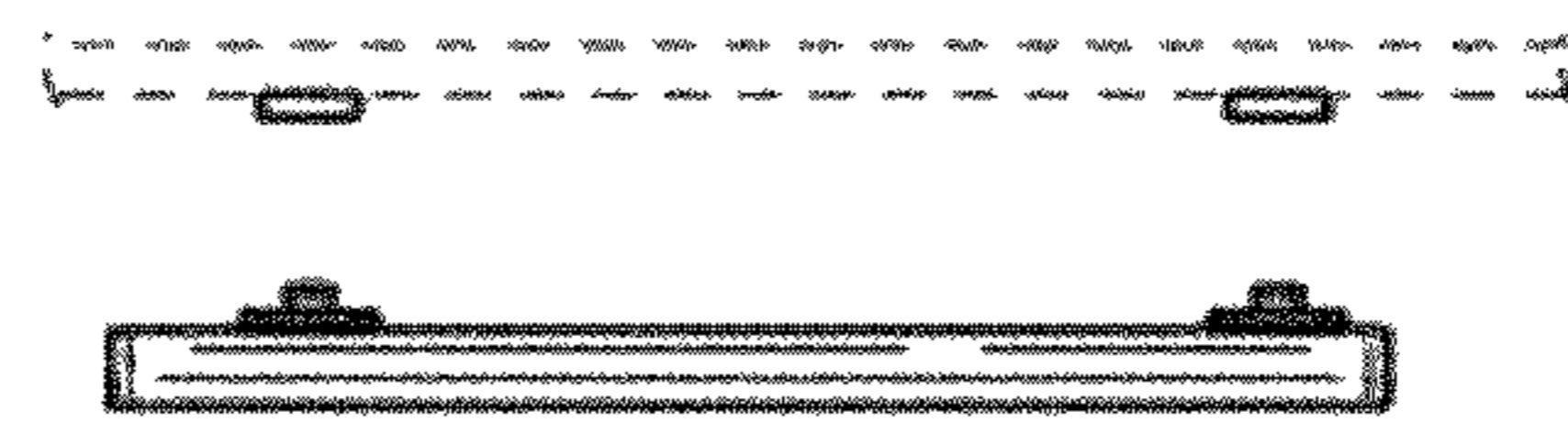
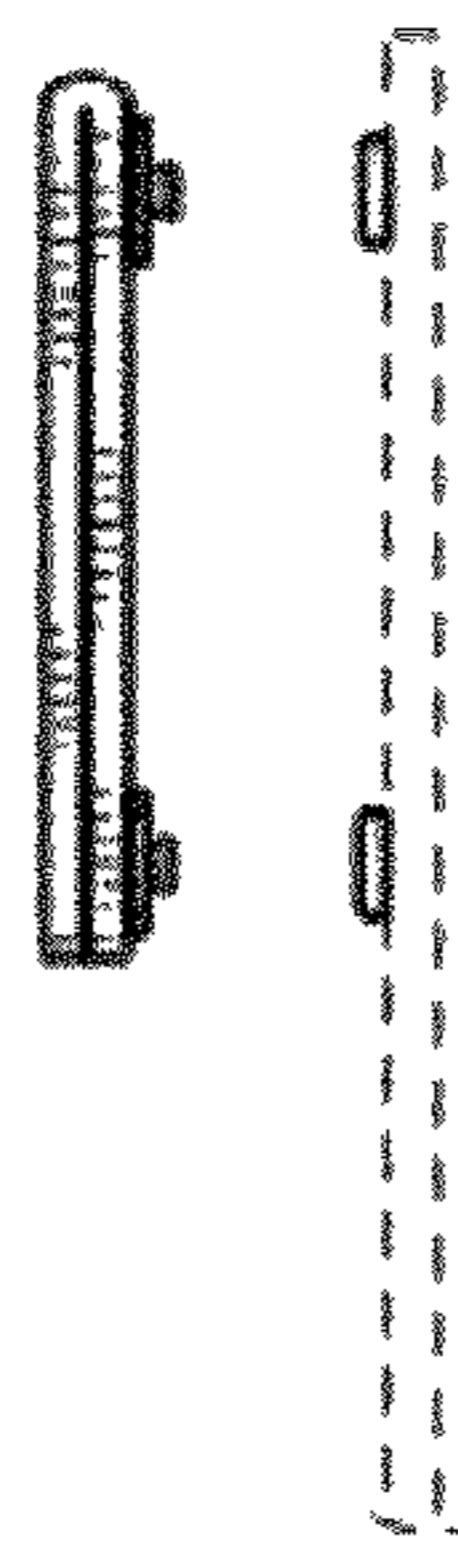
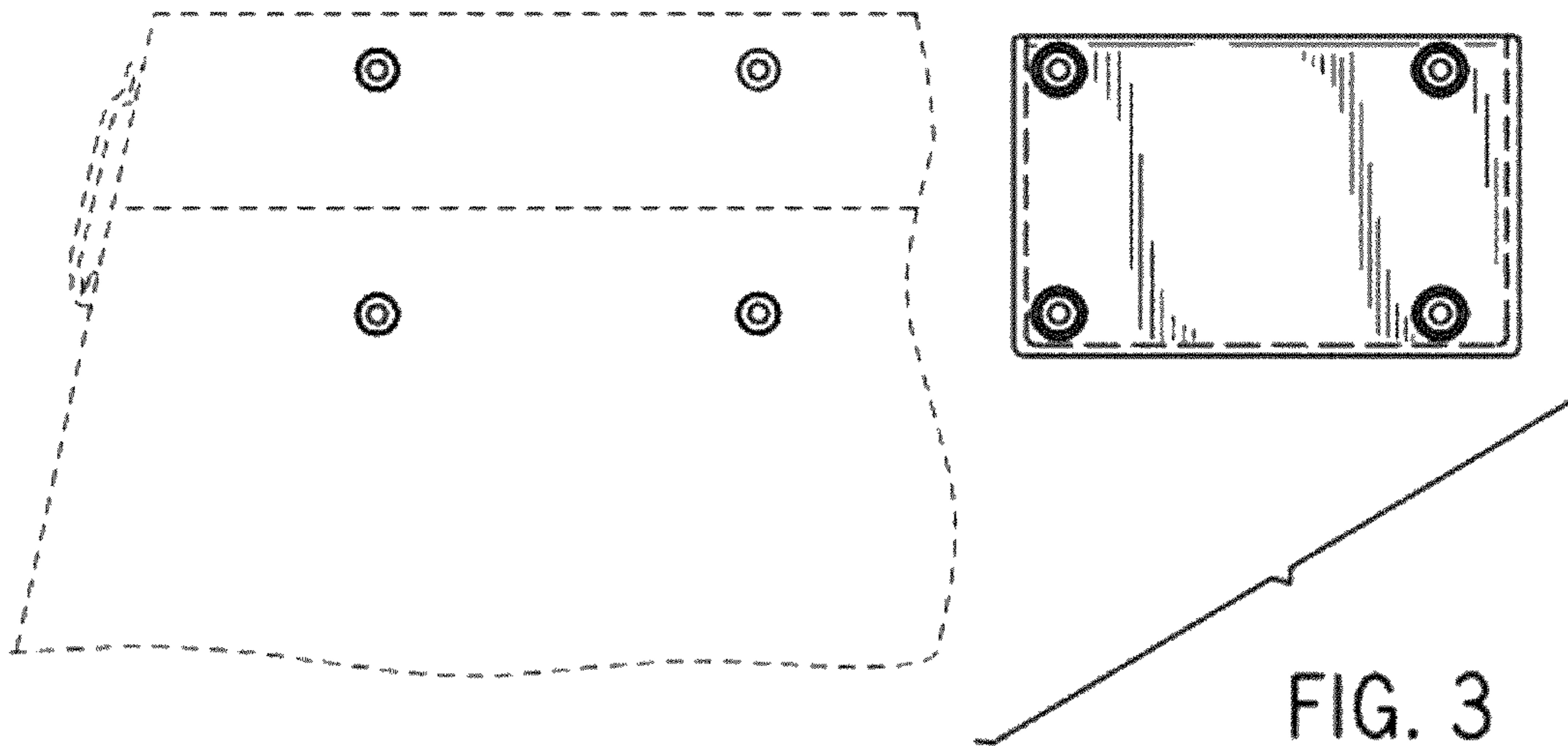


FIG. 5

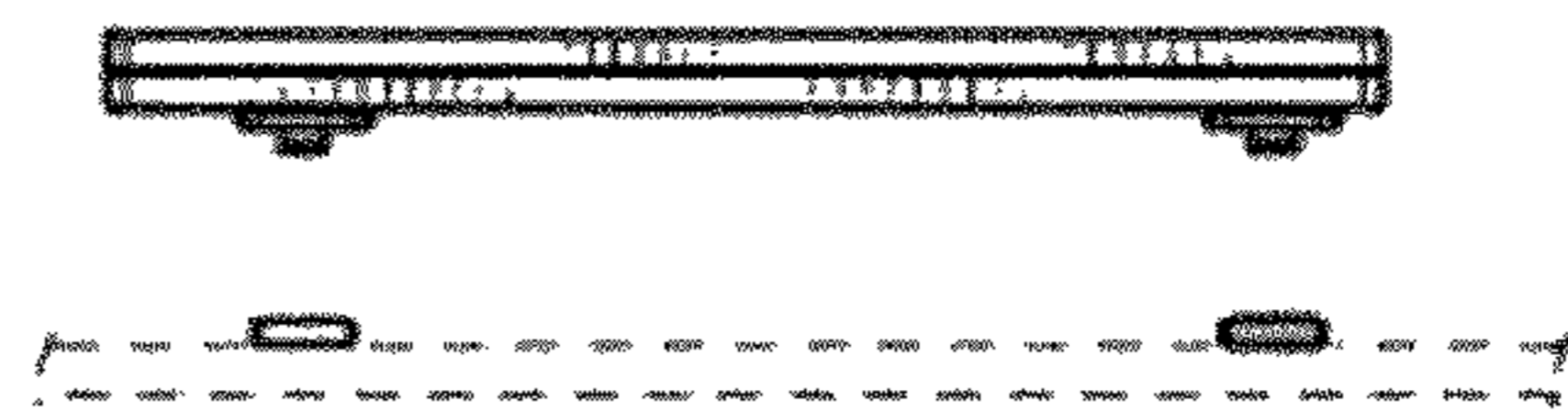


FIG. 6

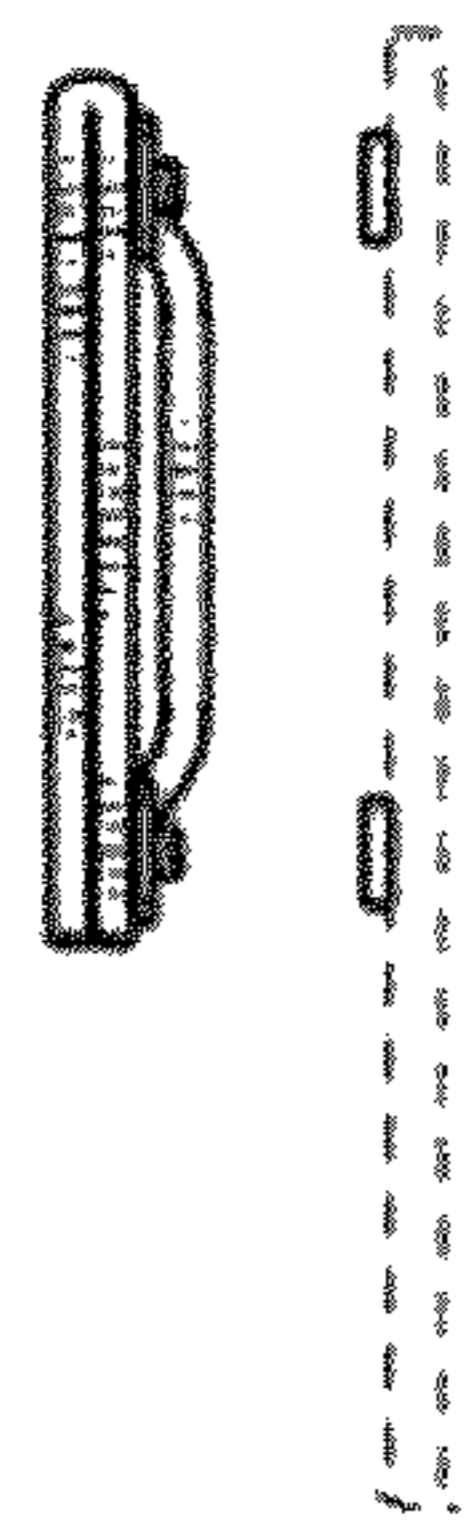
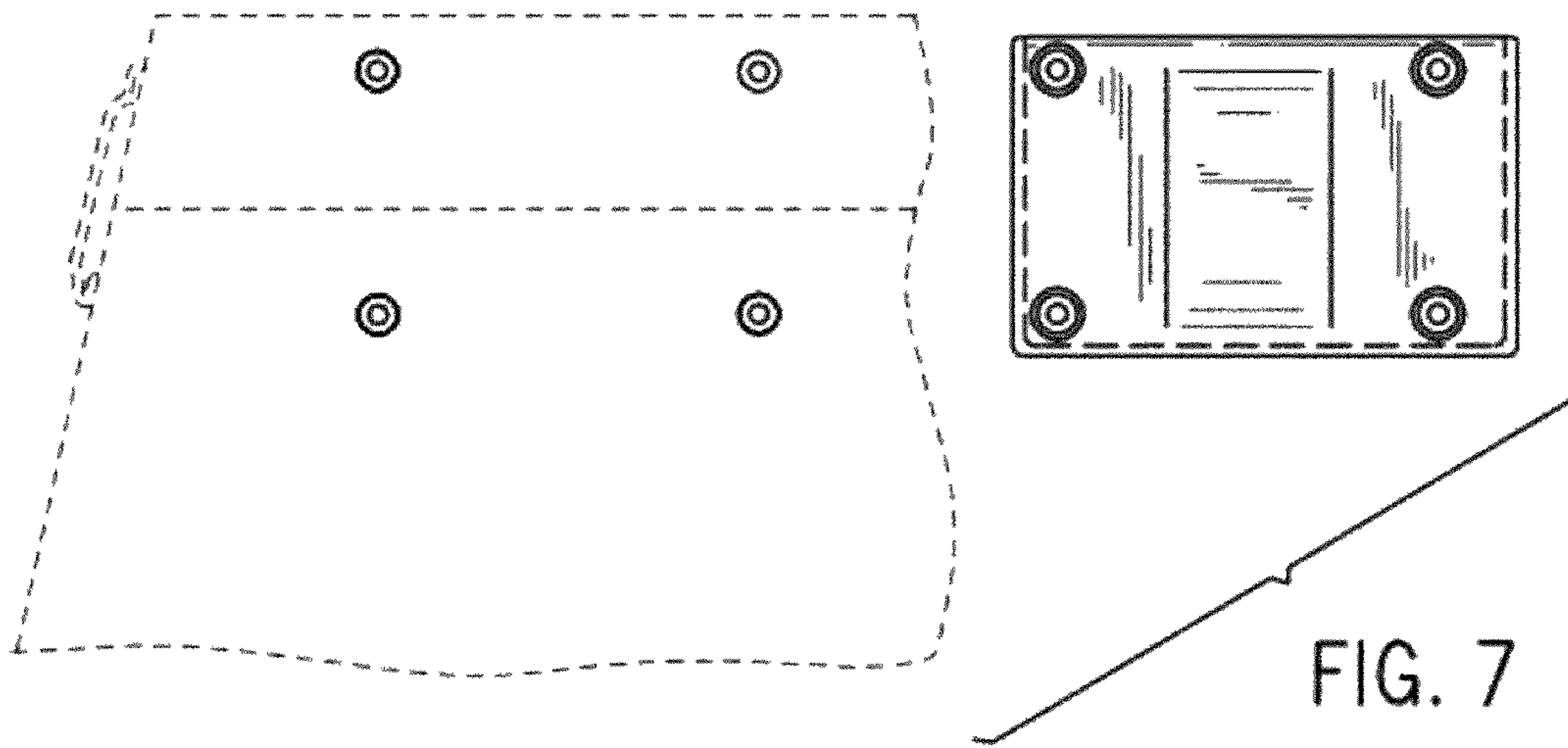


FIG. 8

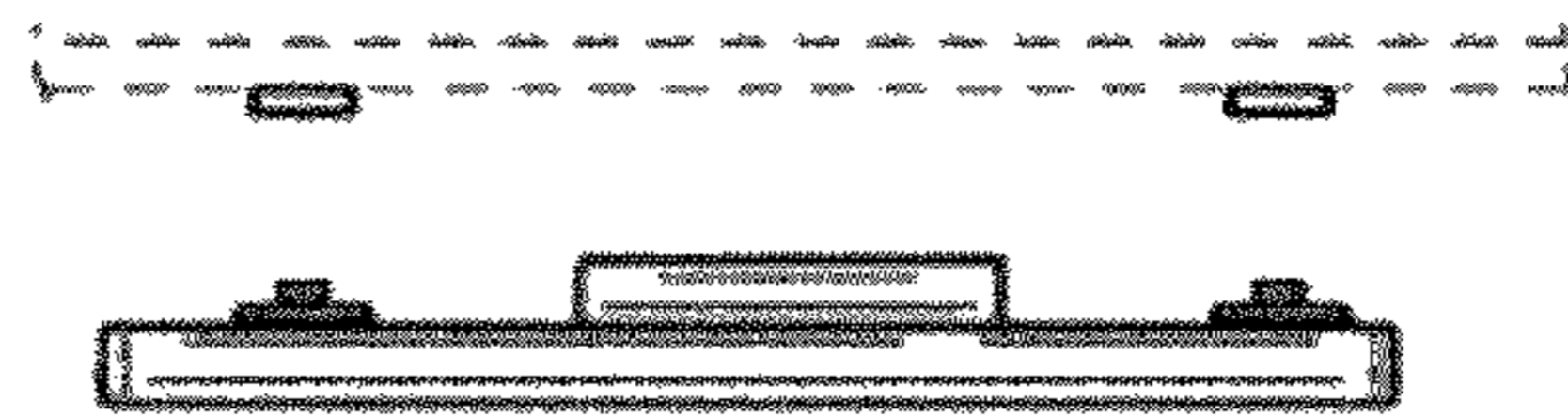


FIG. 9

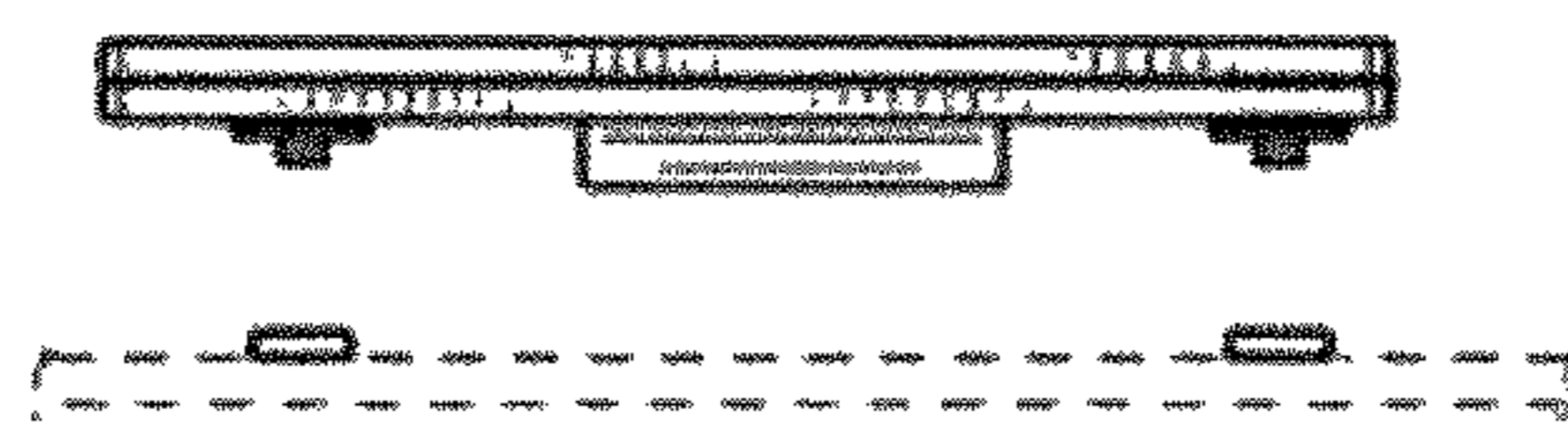


FIG. 10