



US00D670917S

(12) **United States Design Patent**  
**Blackford**

(10) **Patent No.:** **US D670,917 S**  
(45) **Date of Patent:** **\*\* Nov. 20, 2012**

(54) **HEAT REFLECTIVE LINING MATERIAL**

FOREIGN PATENT DOCUMENTS

(75) Inventor: **Michael E. Blackford**, Portland, OR  
(US)

DE 9409799 4/1995  
(Continued)

(73) Assignee: **Columbia Sportswear North America, Inc.**, Portland, OR (US)

OTHER PUBLICATIONS

(\*\*) Term: **14 Years**

Castelli Insolito Radiation Jacket—3 Season Cycling Jacket; www.feedthehabit.com/road-biking/castelli-insolito-radiation-jacket-3-season-cycling-jacket/; Sep. 19, 2008.

(21) Appl. No.: **29/385,768**

(Continued)

(22) Filed: **Feb. 18, 2011**

*Primary Examiner* — Karen S Acker

(51) **LOC (9) Cl.** ..... **05-05**

(74) *Attorney, Agent, or Firm* — Schwabe, Williamson & Wyatt, P.C.

(52) **U.S. Cl.** ..... **D5/61; D5/2**

(58) **Field of Classification Search** ..... D5/4, 7,  
D5/47, 53, 56–59, 61–63, 99; D6/582, 585,  
D6/586, 612, 622; D11/165; D19/5; D24/124–126;  
4/581; 5/490, 495; 15/208, 215; 112/401,  
112/402; 139/383 B, 383 R, 420 R; 162/134;  
428/57, 66.5, 187, 221, 542.2, 542.6; 604/385.01  
See application file for complete search history.

(57) **CLAIM**

I claim an ornamental design for a heat reflective lining material, as shown and described.

(56) **References Cited**

**DESCRIPTION**

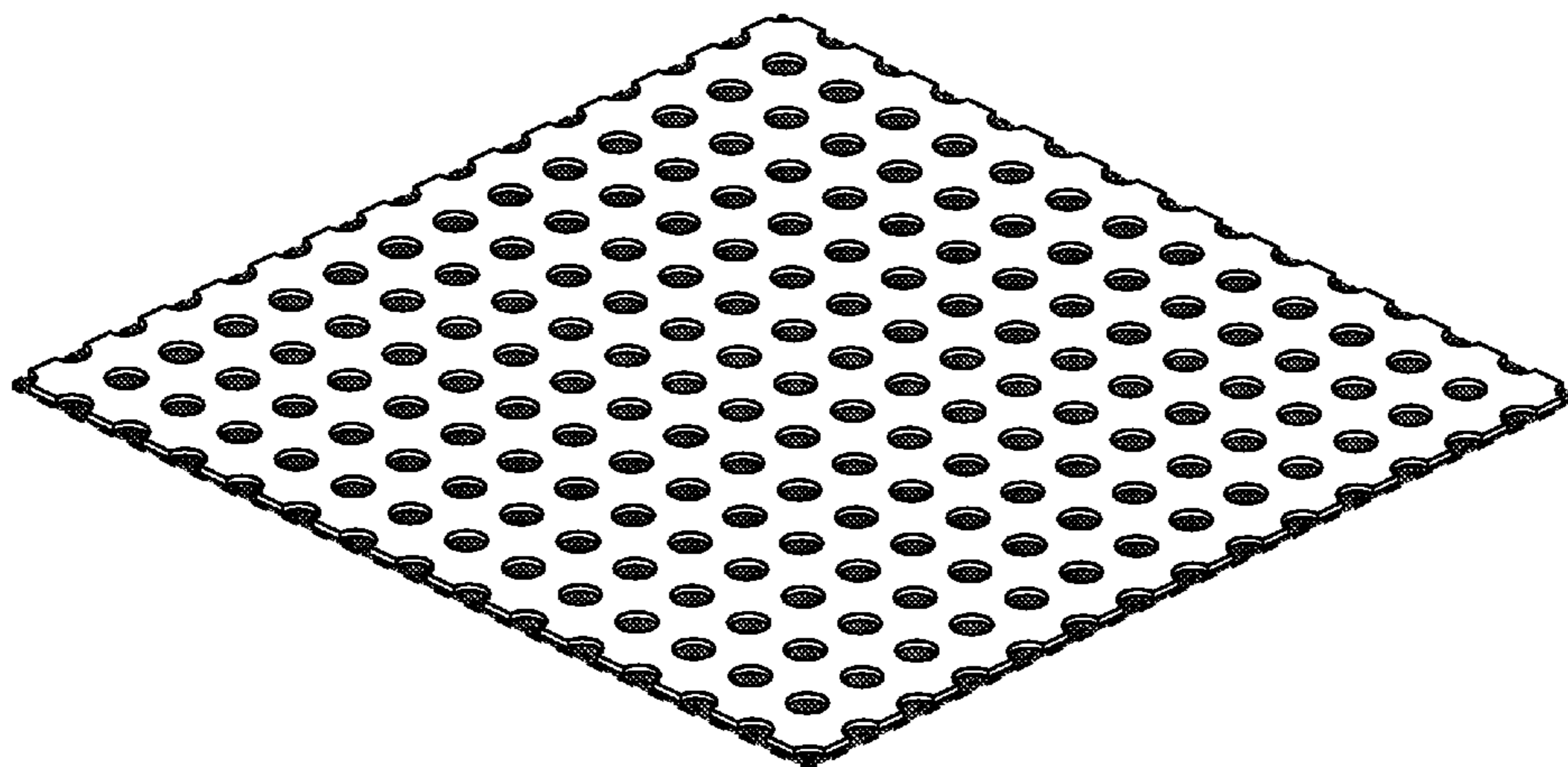
U.S. PATENT DOCUMENTS

665,931	A *	1/1901	Pratt	428/140
D92,994	S *	8/1934	Aaronson	D5/59
D107,621	S *	12/1937	Stiglitz	D5/47
2,112,963	A *	4/1938	Jones	15/208
D117,548	S *	11/1939	Feldman	D5/47
D118,109	S *	12/1939	Callahan	D29/101.1
D119,351	S	3/1940	Tabin	
D129,870	S *	10/1941	Maisch	D5/61
D130,877	S	12/1941	Tips	
D131,308	S *	2/1942	Selver	D5/47
2,471,008	A *	5/1949	Pretty	4/583
D154,151	S	6/1949	Ryan	
D158,550	S *	5/1950	Breneman	D6/585
D169,305	S	2/1953	De Grazia	
D191,736	S *	11/1961	Kelly et al.	D5/53
3,418,668	A *	12/1968	Anderson et al.	4/583
3,577,305	A	5/1971	Hines et al.	
3,800,364	A *	4/1974	Kalwaites	28/105

(Continued)

FIG. 1 is a front view of the heat reflective lining material, showing my new design;  
FIG. 2 is a side view thereof;  
FIG. 3 is a back view thereof;  
FIG. 4 is a perspective view thereof;  
FIG. 5 is a perspective view of the heat reflective lining material of FIG. 1 shown in a position of use;  
FIG. 6 is a perspective view of the heat reflective lining material of FIG. 1 shown in a second position of use; and,  
FIG. 7 is a perspective view of the heat reflective lining material of FIG. 1 shown in a third position of use.  
The broken line perimeter in the drawings represents the boundary of the claimed design and forms no part thereof. The broken lines in FIGS. 5, 6 and 7 represent environmental structure and form no part of the claimed design.

**1 Claim, 5 Drawing Sheets**



# US D670,917 S

Page 2

## U.S. PATENT DOCUMENTS

3,917,785	A *	11/1975	Kalwaites	264/108
3,924,929	A *	12/1975	Holmen et al.	359/514
3,934,065	A *	1/1976	Tung	428/76
4,404,750	A *	9/1983	Marx et al.	33/1 B
4,420,521	A	12/1983	Carr	
4,525,406	A	6/1985	Pollock	
4,569,874	A	2/1986	Kuznetz	
4,765,323	A	8/1988	Poettgen	
4,798,754	A *	1/1989	Tomek	428/74
4,856,294	A	8/1989	Scaringe et al.	
4,963,412	A *	10/1990	Kokeguchi	428/137
5,366,785	A *	11/1994	Sawdai	428/156
D358,734	S	5/1995	Paskwietz et al.	
5,415,222	A	5/1995	Colvin	
5,520,778	A *	5/1996	Sawdai	162/115
5,763,049	A *	6/1998	Frey et al.	428/172
D404,236	S	1/1999	Bergwall et al.	
D413,731	S	9/1999	Hannington	
D414,642	S *	10/1999	Williams	D6/582
D428,293	S	7/2000	Williams	
6,319,599	B1	11/2001	Buckley	
6,341,384	B1	1/2002	Hayes	
6,427,242	B1	8/2002	Bush et al.	
D472,419	S	4/2003	Robbins	
6,550,092	B1 *	4/2003	Brown et al.	15/104.002
D477,743	S	7/2003	de Pauw	
6,589,631	B1 *	7/2003	Suzuki et al.	428/172
6,591,560	B2	7/2003	Burke, III et al.	
D478,494	S	8/2003	Arnold	
D478,761	S	8/2003	Robbins	
D483,187	S *	12/2003	Cheng	D5/53
6,687,913	B2	2/2004	Aldridge	
6,743,498	B2	6/2004	Fourmeuz	
6,749,924	B2 *	6/2004	Monson et al.	428/137
D497,072	S *	10/2004	Suero, Jr.	D6/583
6,811,852	B2	11/2004	Alderman	
6,820,386	B2 *	11/2004	Kappeli et al.	52/591.4
6,855,410	B2	2/2005	Buckley	
D508,180	S	8/2005	Sneed	
6,934,985	B2	8/2005	Sanders	
6,978,481	B2	12/2005	Mordecai et al.	
D518,248	S	3/2006	Northrop	
7,013,496	B2	3/2006	Dunn	
7,030,046	B2 *	4/2006	Wong et al.	442/154
7,037,580	B2 *	5/2006	Razavi et al.	428/343
7,226,879	B2	6/2007	Tildon et al.	
D548,400	S	8/2007	Boord	
D551,407	S	9/2007	Caruso et al.	
D564,721	S *	3/2008	Vinson et al.	D32/40
D573,354	S	7/2008	Nam	
D583,568	S	12/2008	Sordi	
D583,569	S	12/2008	Claudat	

D583,999	S	12/2008	Middlebrooks	
7,465,484	B2	12/2008	Handwerker	
D590,949	S	4/2009	Broyles	
D596,860	S	7/2009	Doughty	
D598,166	S	8/2009	Kemper	
7,581,260	B2	9/2009	Underwood et al.	
D613,948	S *	4/2010	Spitzer	D5/37
D628,005	S *	11/2010	Chapman et al.	D6/616
7,854,017	B2	12/2010	Laton	
D630,442	S	1/2011	Sichel	
D631,262	S	1/2011	Evans	
D631,670	S	2/2011	Jackson	
D633,672	S *	3/2011	McKnight	D32/40
D633,673	S *	3/2011	McKnight	D32/40
D637,008	S *	5/2011	Frost	D5/4
D638,224	S	5/2011	Ko et al.	
8,015,620	B2 *	9/2011	Feduzi et al.	2/87
D647,309	S *	10/2011	Kuehn et al.	D5/58
D654,748	S *	2/2012	Lu	D6/582
2002/0073481	A1	6/2002	Cregan et al.	
2004/0128747	A1	7/2004	Bumbarger et al.	
2006/0168721	A1 *	8/2006	McGuire et al.	4/581
2009/0087475	A1 *	4/2009	Sheehan	424/443
2010/0160884	A1 *	6/2010	Sigurjonsson et al.	604/369
2010/0326710	A1 *	12/2010	Zhang	174/257
2011/0020599	A1 *	1/2011	Le Roy et al.	428/134
2011/0036282	A1 *	2/2011	Cote	112/402
2011/0160691	A1 *	6/2011	Ng et al.	604/385.23
2012/0034483	A1 *	2/2012	Mair	428/542.6
2012/0050878	A1 *	3/2012	Higginson et al.	359/652

## FOREIGN PATENT DOCUMENTS

GB	2294426	5/1996
GB	2414960	12/2005
JP	63-125525	8/1988
JP	63-139147	9/1988
JP	204402/2004	7/2004
KR	30560581	5/2010
WO	DM/064488	5/2003
WO	DM/064044	7/2003
WO	DM/067876	5/2006

## OTHER PUBLICATIONS

Castelli Radiation Jacket; [www.cyclingweekly.co.uk/archive/tech/322662/castelli-radiation-jacket-300.html](http://www.cyclingweekly.co.uk/archive/tech/322662/castelli-radiation-jacket-300.html); Mar. 10, 2009.

Quelle Catalog: RU, Jacket Advertisement, 2005.

Sunmore, Poe Yoga Mat, Sporting Goods Buyers' Guide, Spring 2008.

YPCYC Catalog, Kompendium: Sportmode, kettenwirk-praxis, Obertshausen, 2006.

\* cited by examiner

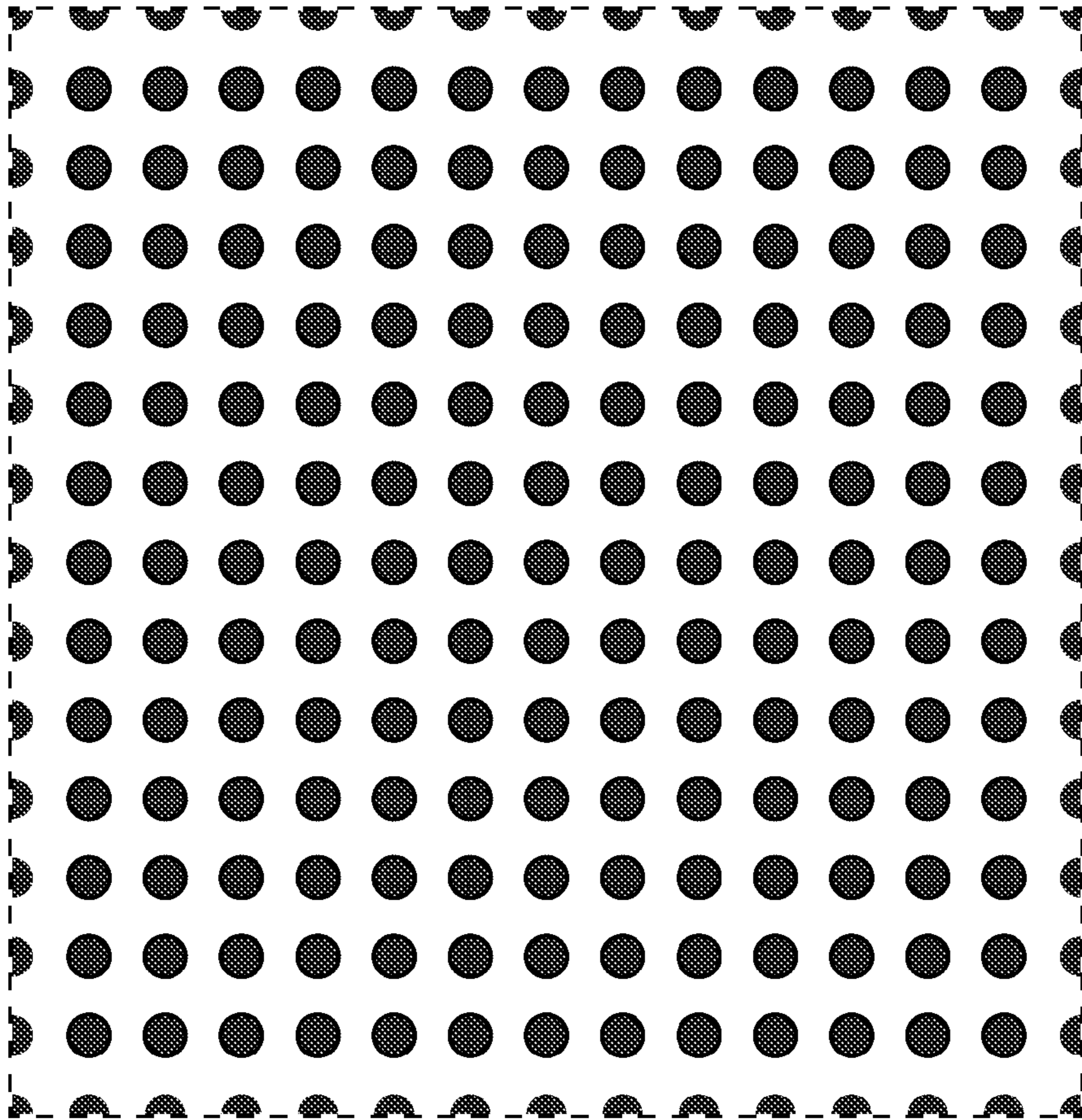


FIG. 1



FIG. 2

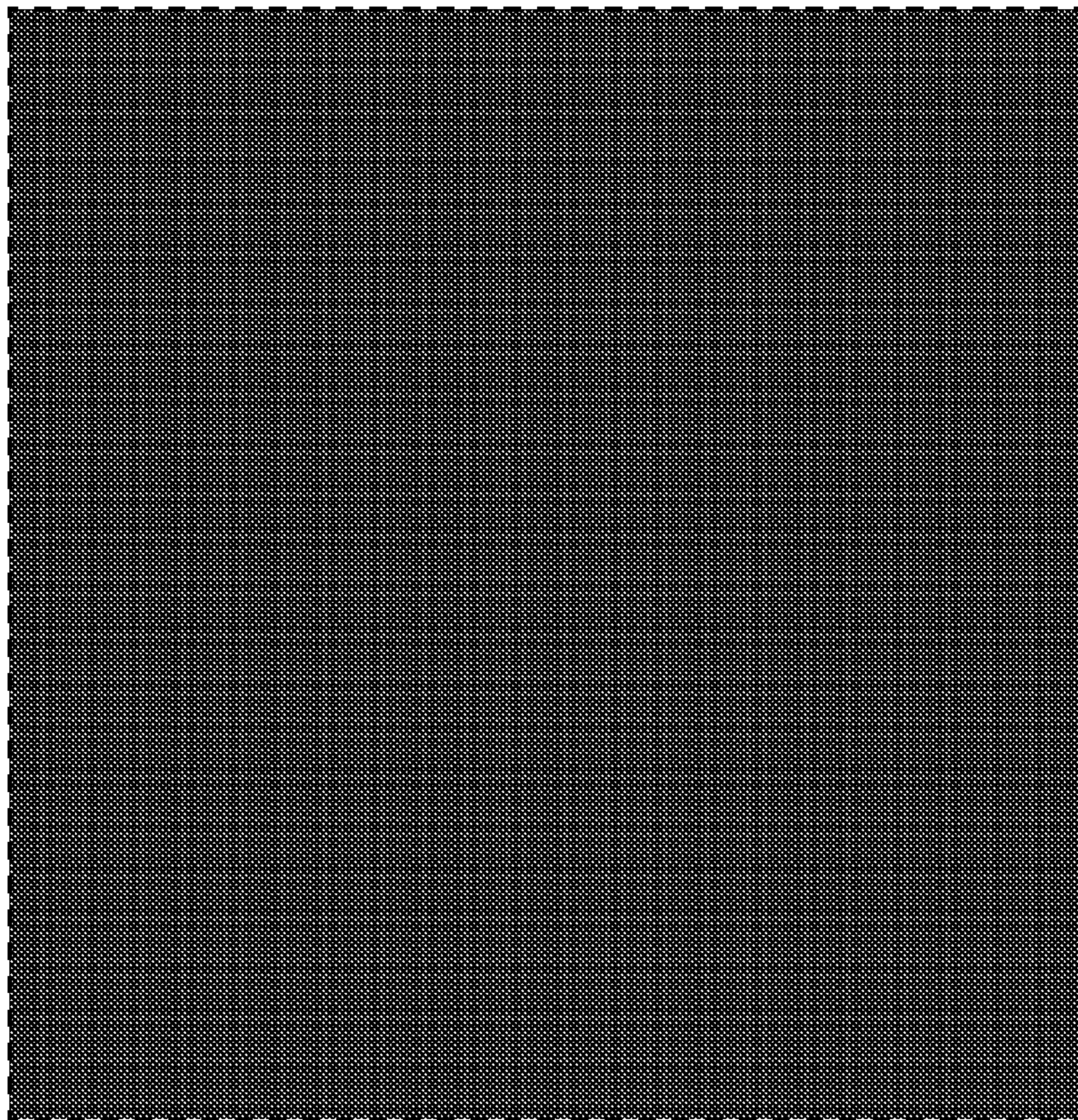


FIG. 3

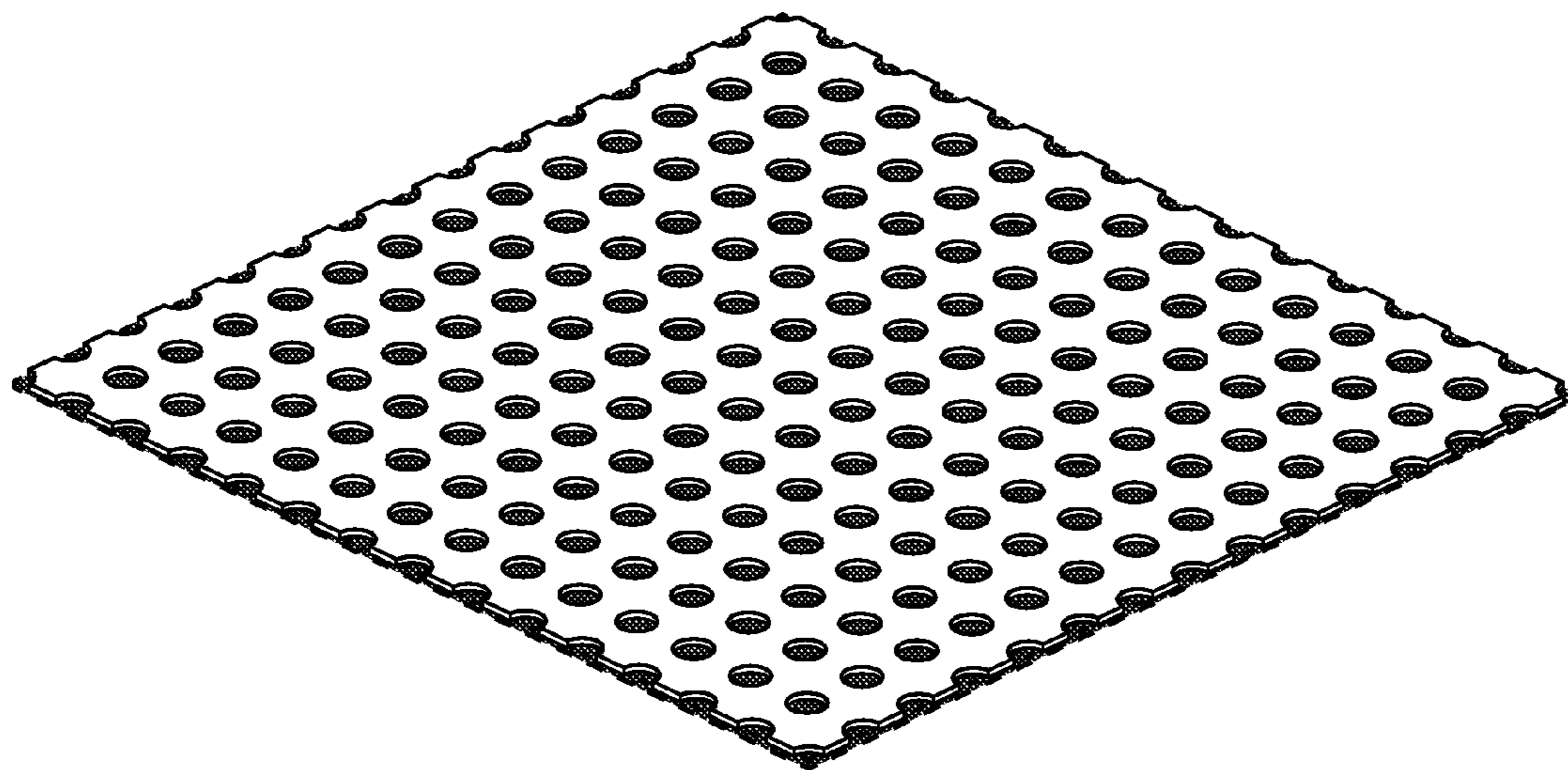


FIG. 4

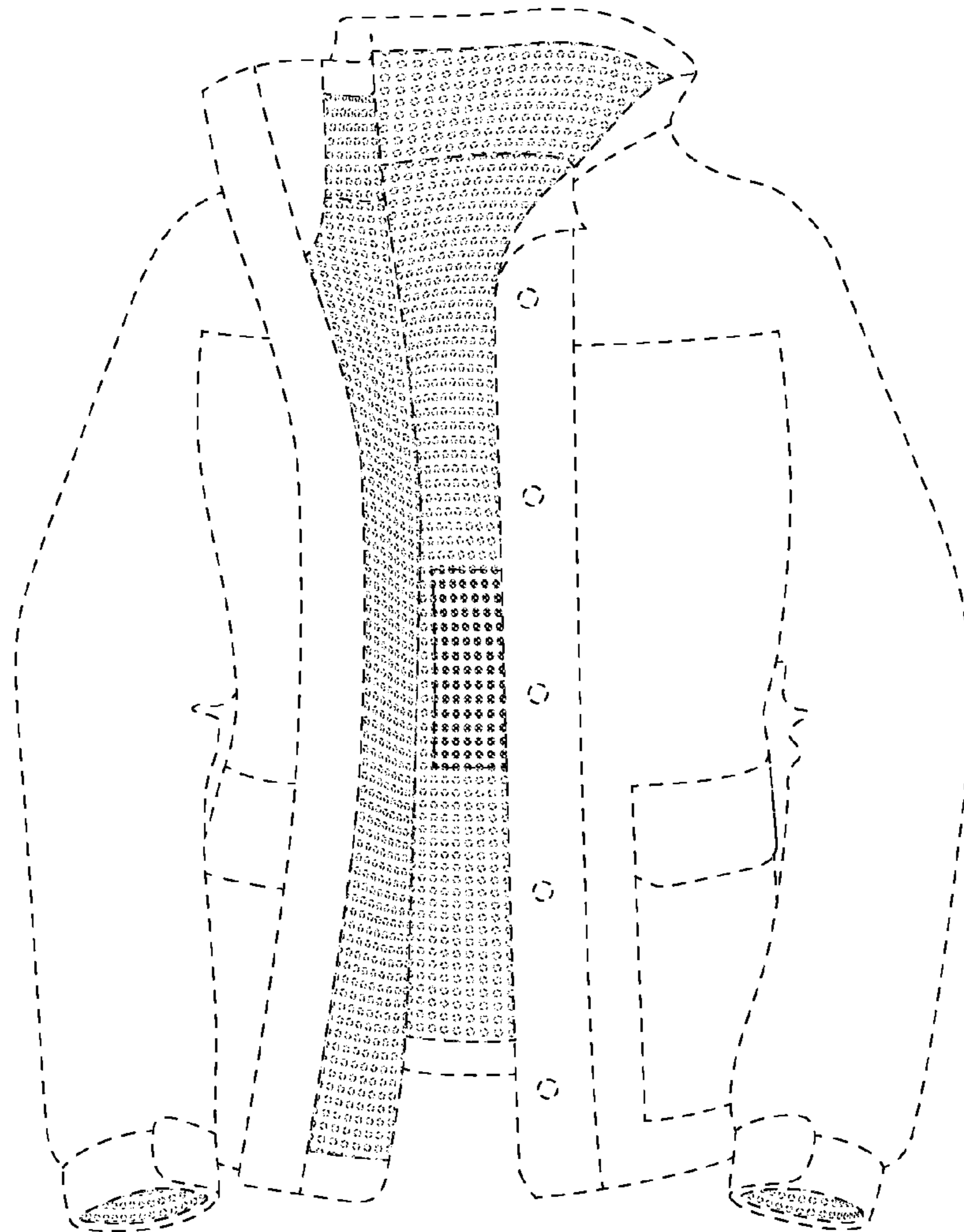


FIG. 5

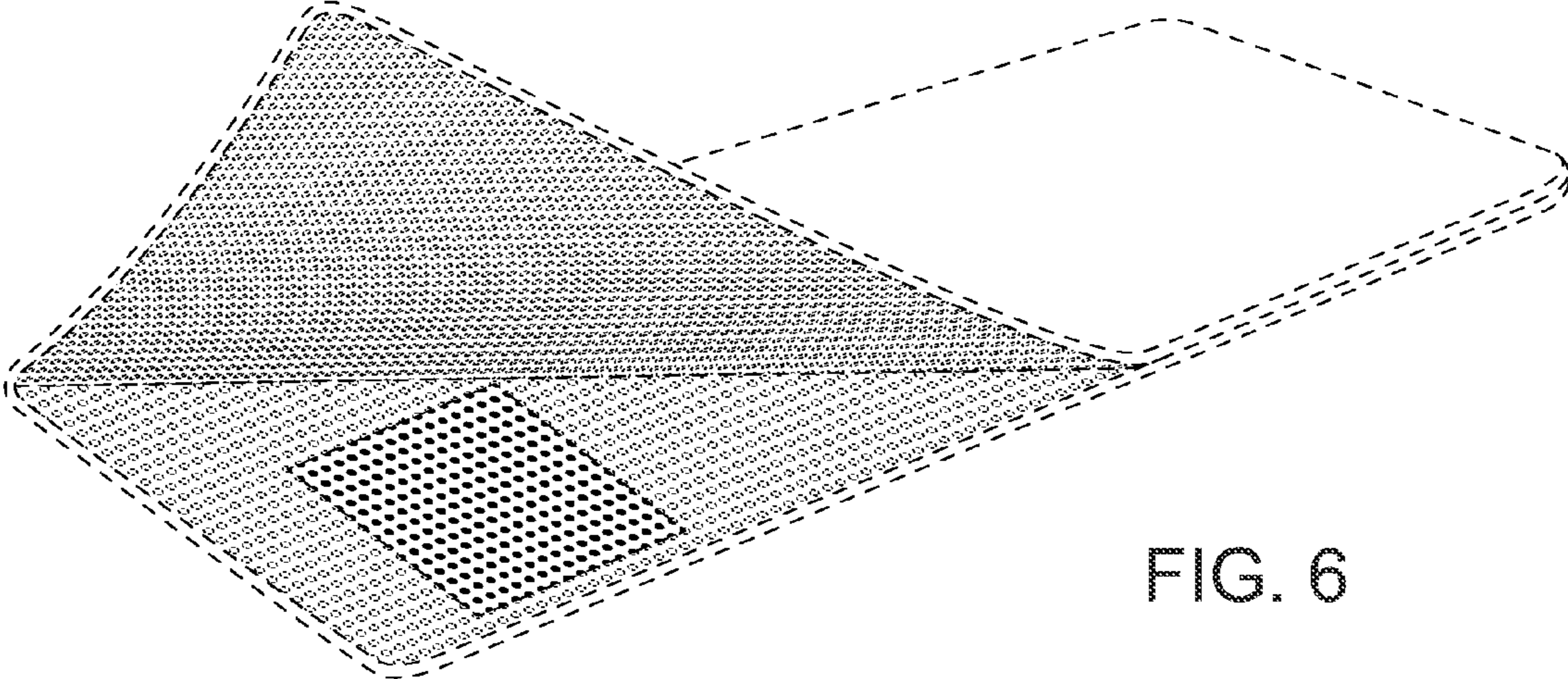


FIG. 6

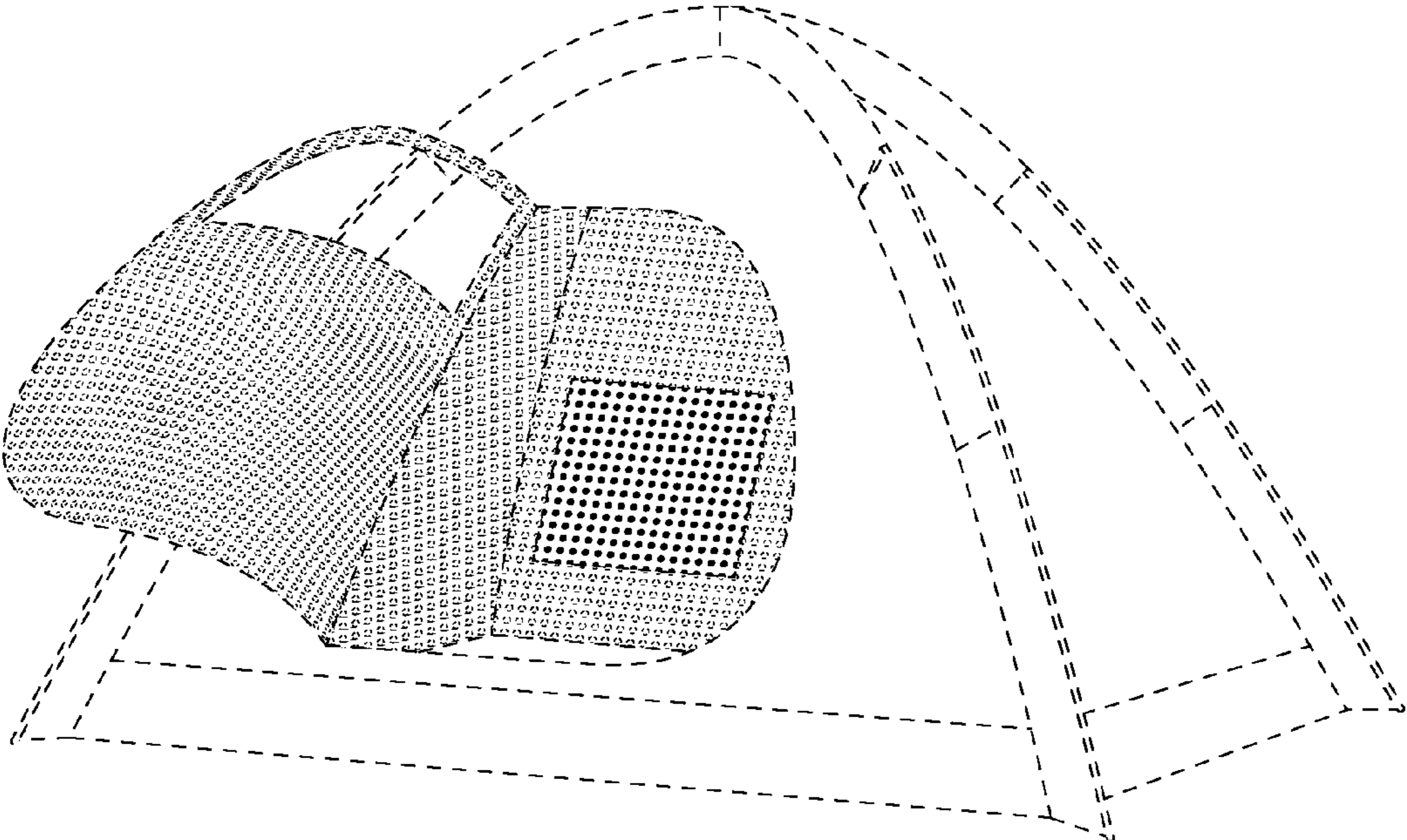


FIG. 7