



US00D670915S

(12) **United States Design Patent**  
**Jablin**

(10) **Patent No.:** **US D670,915 S**  
(45) **Date of Patent:** **\*\* Nov. 20, 2012**

(54) **CARD COLLECTOR DISPLAY FOR A BACKPACK**

- (75) Inventor: **Randi Jablin**, Delray Beach, FL (US)
  - (73) Assignee: **Moodbagz, Inc.**, Delray Beach, FL (US)
  - (\*\*) Term: **14 Years**
  - (21) Appl. No.: **29/388,287**
  - (22) Filed: **Mar. 28, 2011**
  - (51) **LOC (9) Cl.** ..... **03-01**
  - (52) **U.S. Cl.** ..... **D3/321**
  - (58) **Field of Classification Search** ..... D3/321,  
D3/227; D6/303; D21/361, 366, 349, 354,  
D21/341; 206/467, 455; 281/21; 402/79;  
D19/33
- See application file for complete search history.

(56) **References Cited**

U.S. PATENT DOCUMENTS

- 1,801,546 A \* 4/1931 Enderle ..... 40/704
- 4,860,468 A \* 8/1989 Cliborn ..... 40/124.2
- D313,249 S \* 12/1990 Klinger ..... D21/365

(Continued)

*Primary Examiner* — Sheryl Lane

(74) *Attorney, Agent, or Firm* — Joseph R. Englander;  
Shutts & Bowen LLP

(57) **CLAIM**

The design for a card collector display for a backpack, as shown and described.

**DESCRIPTION**

FIG. 1 is a perspective view of the card collector display for a backpack, showing the new design.

FIG. 2 is another perspective view of the card collector display for a backpack, showing the new design.

FIG. 3 is another perspective view of the card collector display for a backpack, showing the new design in an open position.

FIG. 4 is a rear view of the card collector display for a backpack, showing the new design in an open position.

FIG. 5 is a top view of the card collector display for a backpack, showing the new design.

FIG. 6 is a bottom view of the card collector display for a backpack, showing the new design.

FIG. 7 is a side view of the card collector display for a backpack, showing the new design.

FIG. 8 is a side view of the card collector display for a backpack, showing the new design.

FIG. 9 is a perspective view of another embodiment of the card collector display for a backpack, showing the new design.

FIG. 10 is another perspective view of another embodiment of the card collector display for a backpack, showing the new design.

FIG. 11 is another perspective view of another embodiment of the card collector display for a backpack, showing the new design in an open position.

FIG. 12 is a rear view of another embodiment of the card collector display for a backpack, showing the new design in an open position.

FIG. 13 is a top view of another embodiment of the card collector display for a backpack, showing the new design.

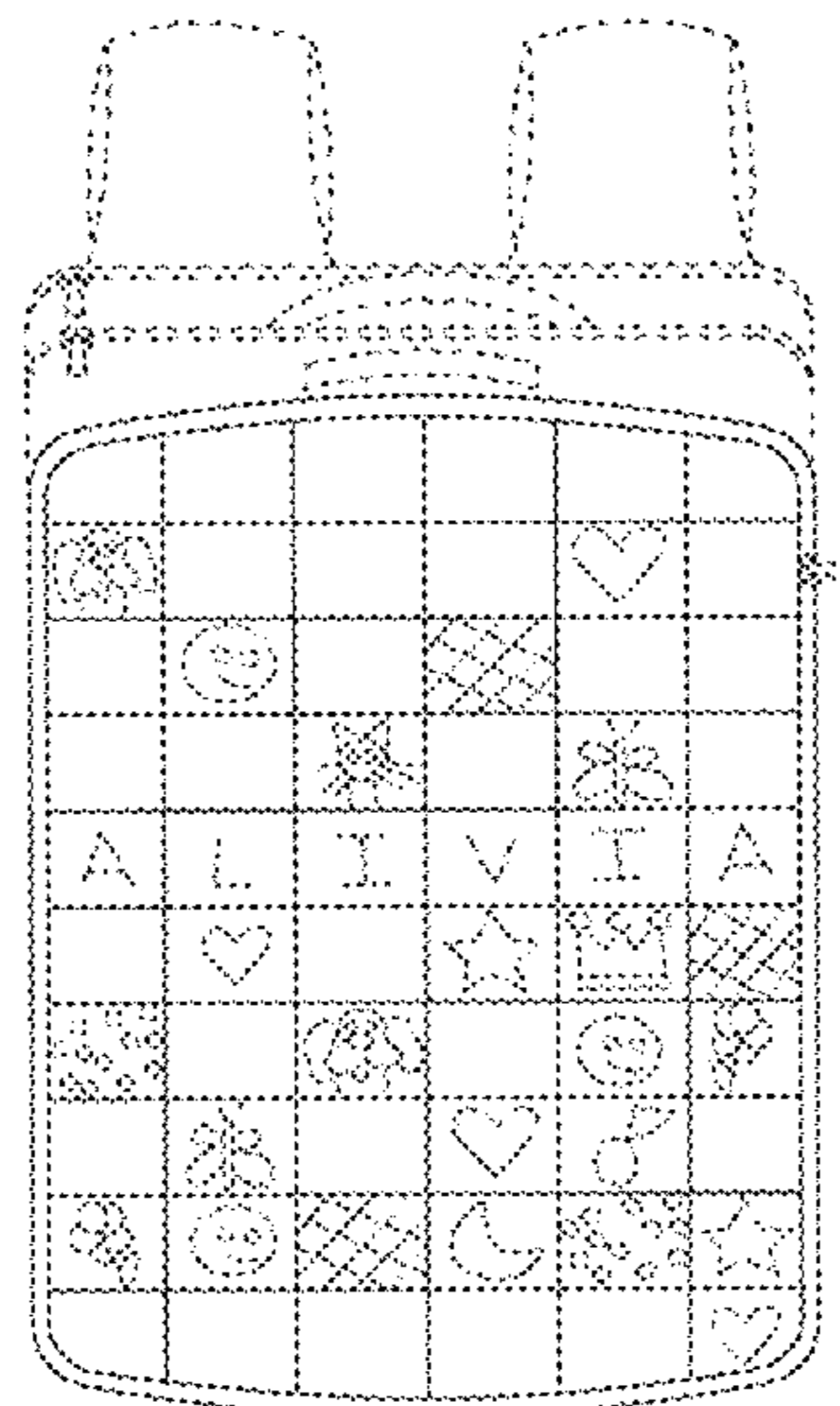
FIG. 14 is a bottom view of another embodiment of the card collector display for a backpack, showing the new design.

FIG. 15 is a side view of another embodiment of the card collector display for a backpack, showing the new design; and,

FIG. 16 is a side view of another embodiment of the card collector display for a backpack, showing the new design.

The broken line showing of the card collector display for a backpack in FIGS. 1-16 is included for the purpose of illustrating environment and forms no part of the claimed design.

**1 Claim, 14 Drawing Sheets**



# US D670,915 S

Page 2

## U.S. PATENT DOCUMENTS

D318,068	S	*	7/1991	Truc et al.	.....	D19/33
5,046,616	A	*	9/1991	Makowski et al.	.....	206/467
5,087,145	A	*	2/1992	Cooley	.....	402/79
5,096,752	A	*	3/1992	Wagner	.....	428/13
5,170,917	A	*	12/1992	Tourigny	.....	224/221
5,186,566	A	*	2/1993	Cameron	.....	402/79
5,190,127	A	*	3/1993	Cummings	.....	
5,286,025	A	*	2/1994	Mulyca et al.	.....	273/148 R
5,305,537	A	*	4/1994	Pascarelli	.....	40/735
5,316,404	A	*	5/1994	Hensel	.....	402/79
5,431,449	A	*	7/1995	Arimoto et al.	.....	281/31
D365,124	S	*	12/1995	Meyer	.....	D21/372
D371,809	S	*	7/1996	Brown	.....	D21/348
D375,123	S	*	10/1996	Strang	.....	D19/33
5,676,399	A	*	10/1997	Hollerbach	.....	281/31
D388,963	S	*	1/1998	Williams	.....	D6/303
D393,286	S	*	4/1998	Hasegawa	.....	D21/335
D450,346	S	*	11/2001	Hiller	.....	D19/33
6,367,183	B1		4/2002	Haber	.....	
D484,920	S	*	1/2004	Stewart	.....	D21/341
7,008,134	B2	*	3/2006	Lane	.....	402/73
D525,315	S	*	7/2006	Fergusson	.....	D21/349
D564,599	S	*	3/2008	Yazdi	.....	D21/349
D565,123	S	*	3/2008	Yazdi	.....	D21/354
D565,302	S	*	4/2008	Fenton et al.	.....	D3/321
D601,205	S	*	9/2009	Kristensson et al.	.....	D21/366
D642,626	S	*	8/2011	Walter	.....	D21/361
D648,527	S	*	11/2011	Booker	.....	D3/227
2003/0034369	A1		2/2003	Haber	.....	
2003/0173389	A1		9/2003	Washington	.....	

\* cited by examiner

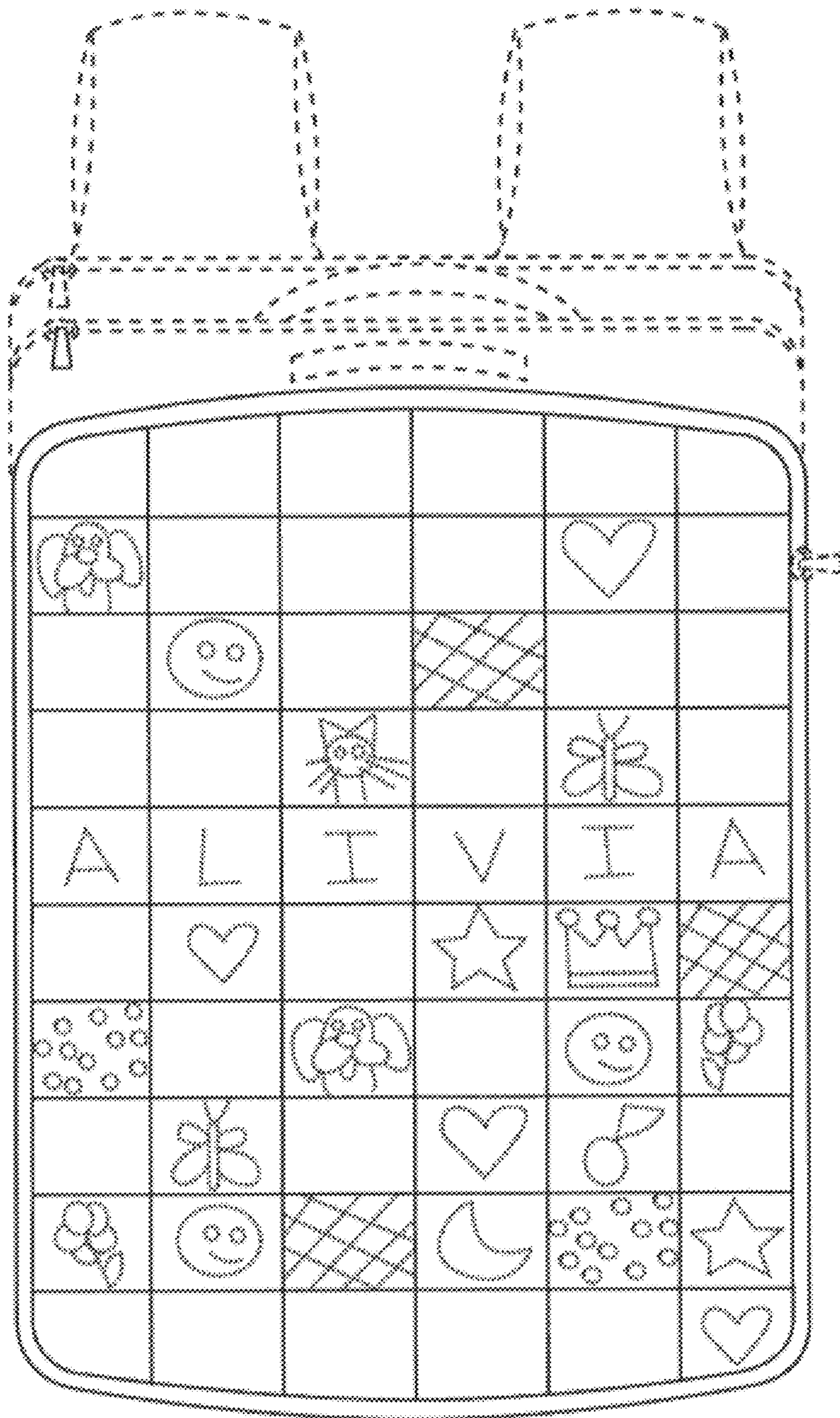


Fig. 1

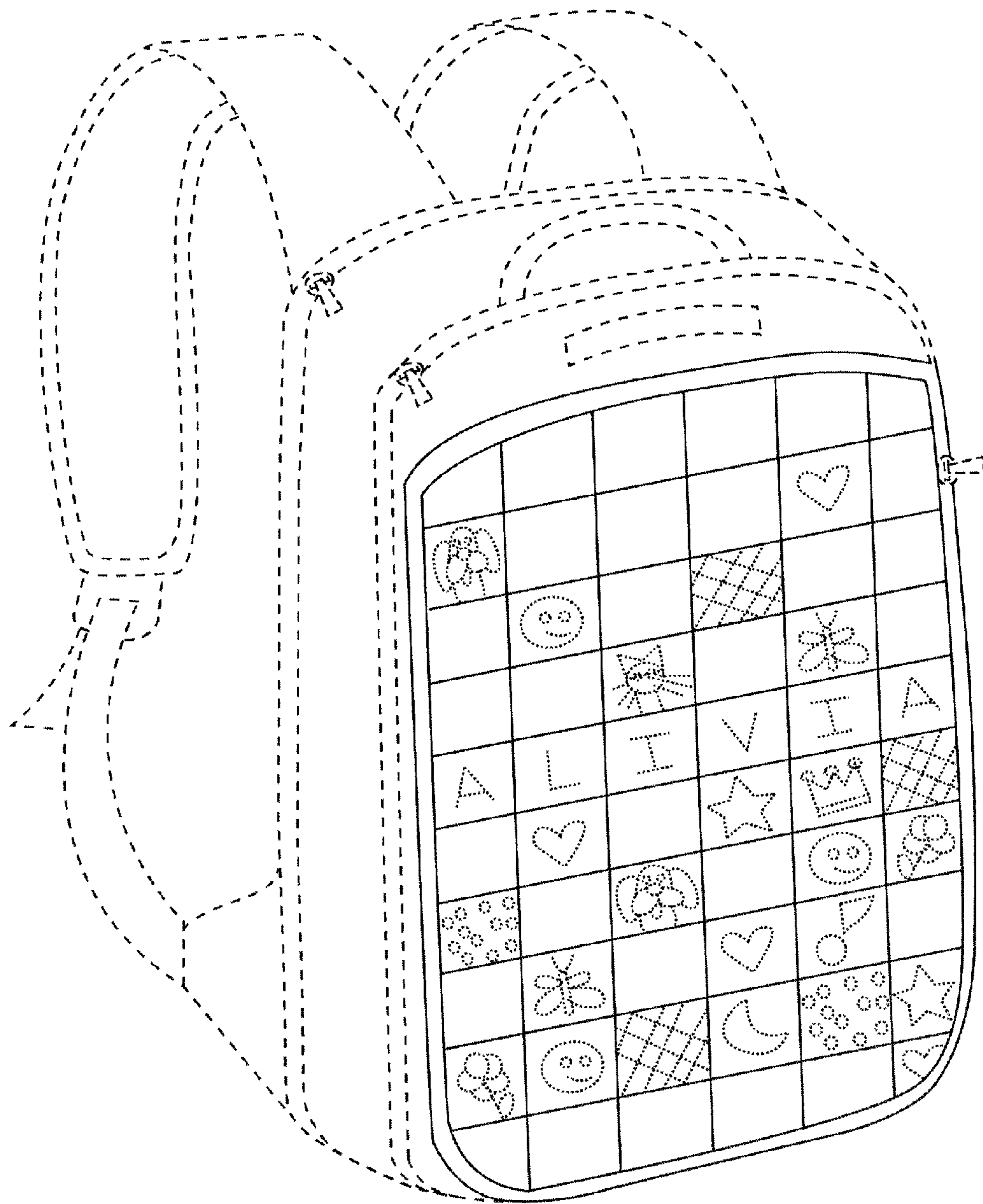


Fig. 2

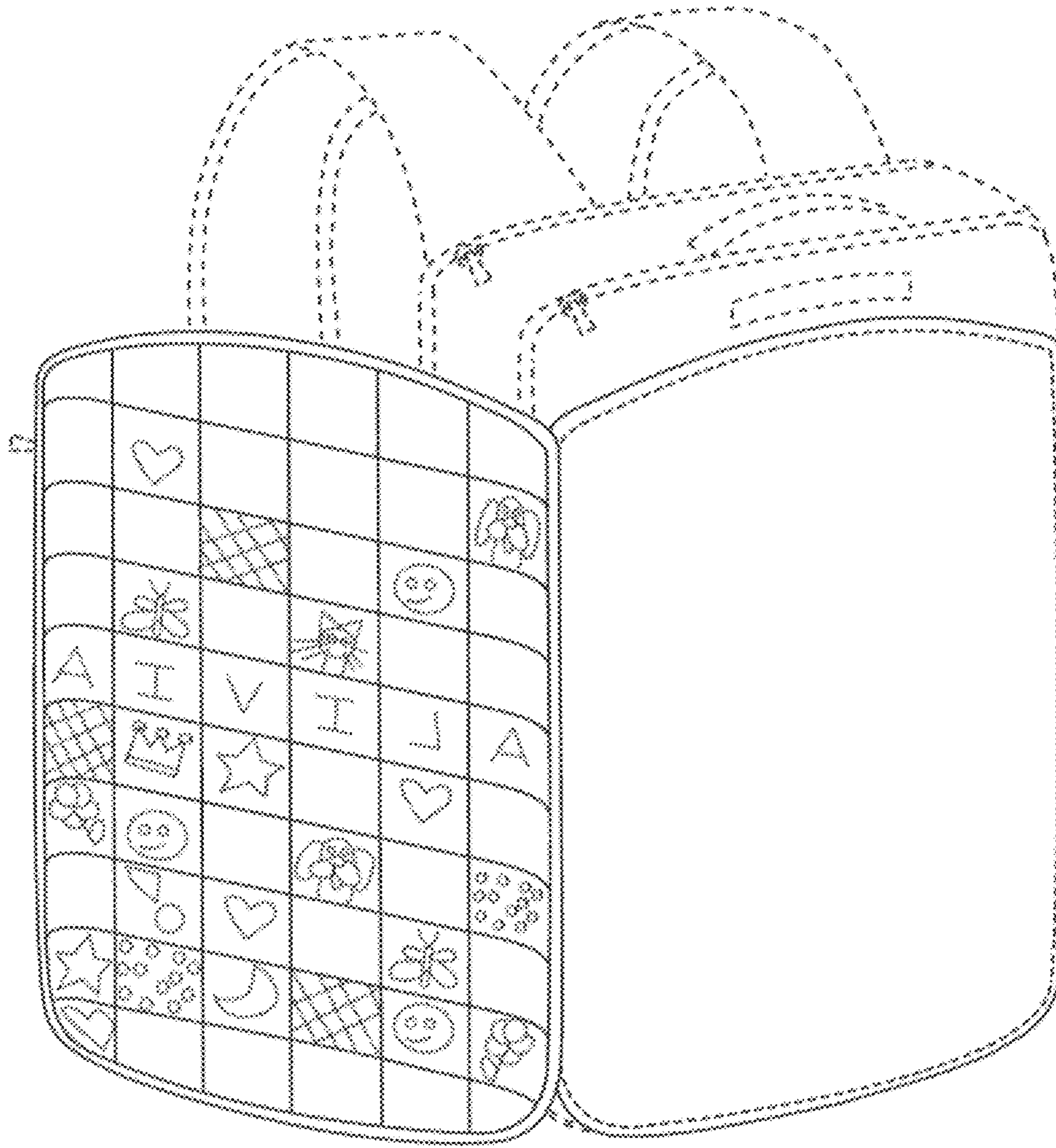


Fig. 3

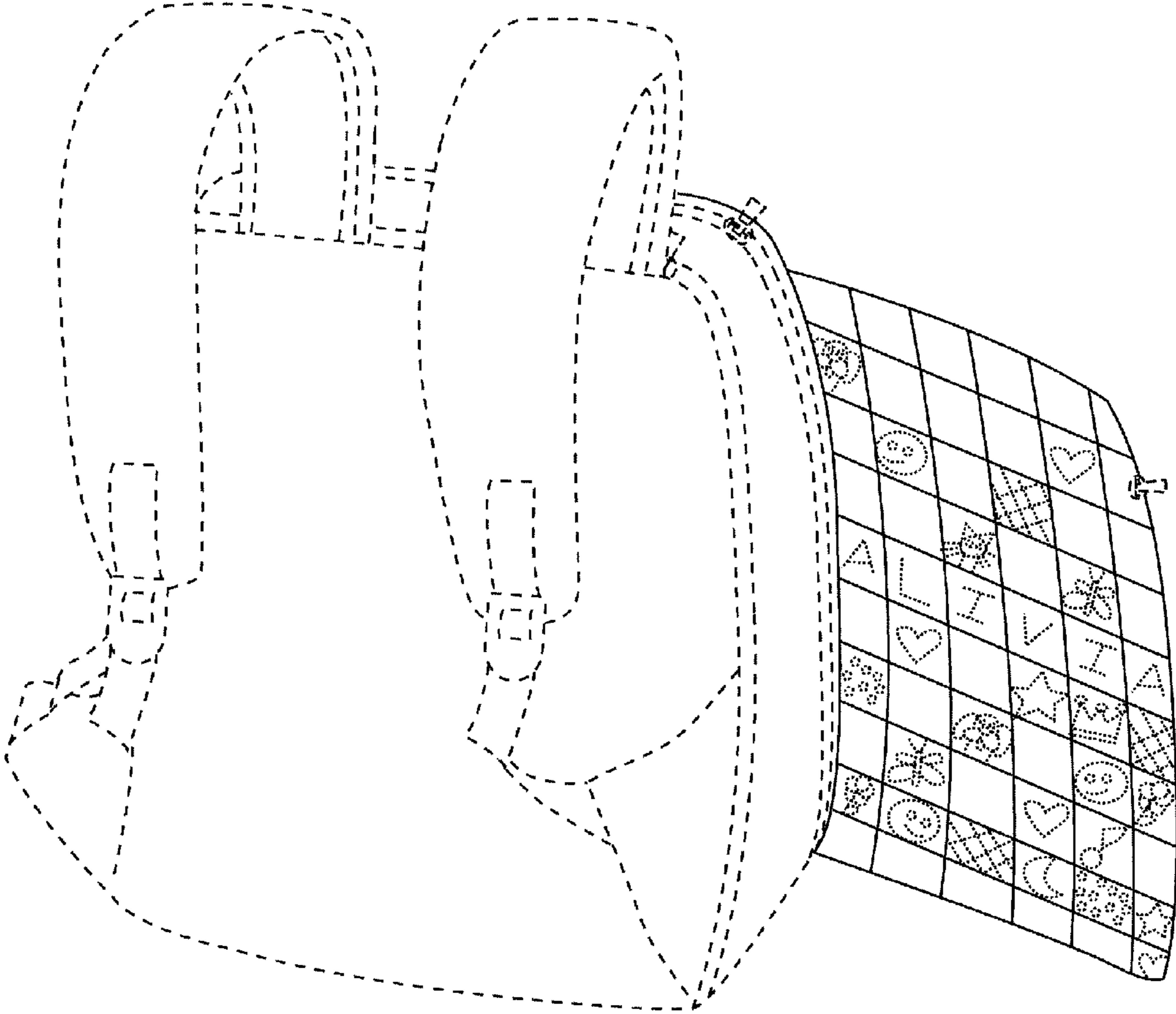


Fig. 4

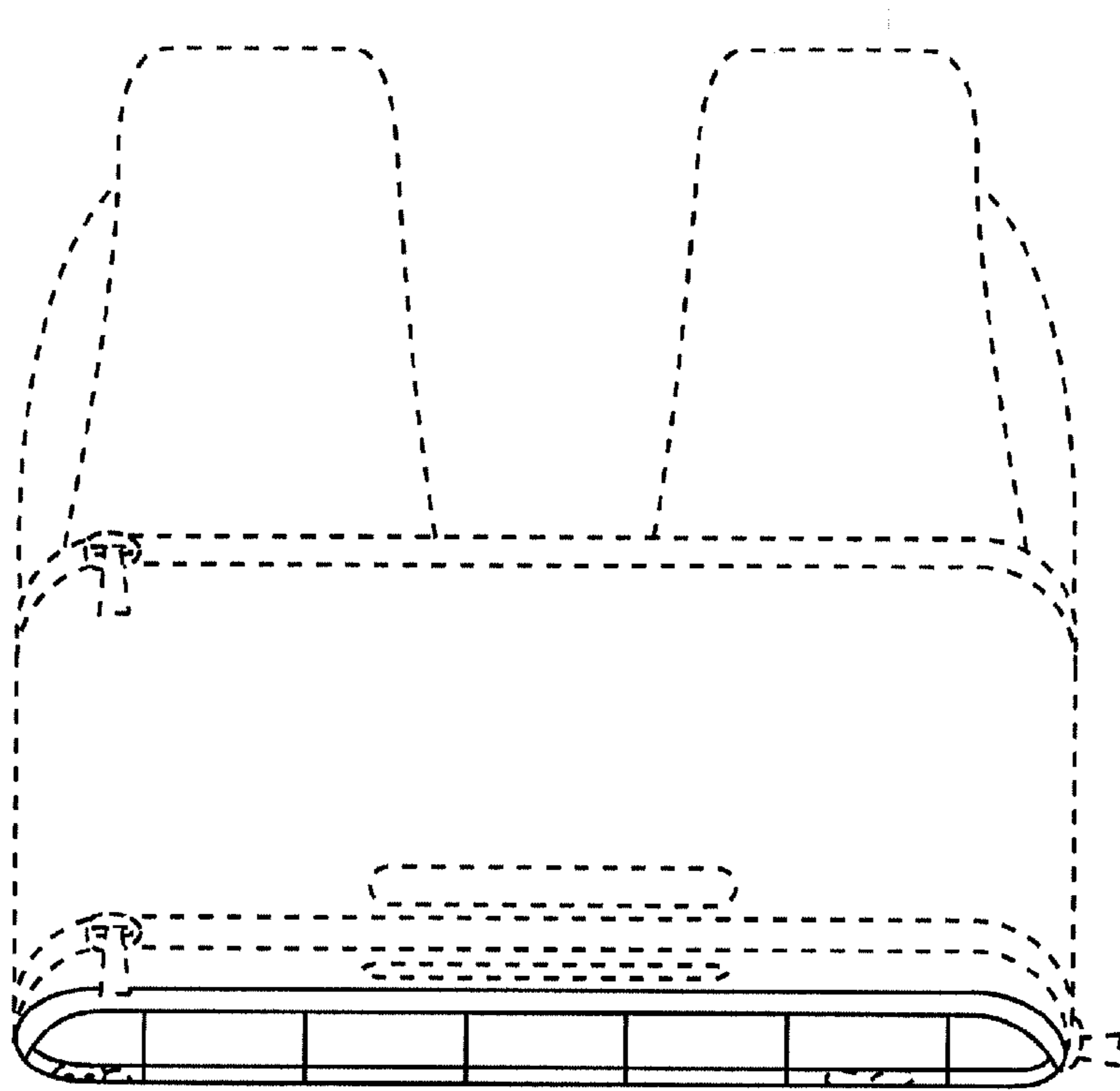


Fig. 5

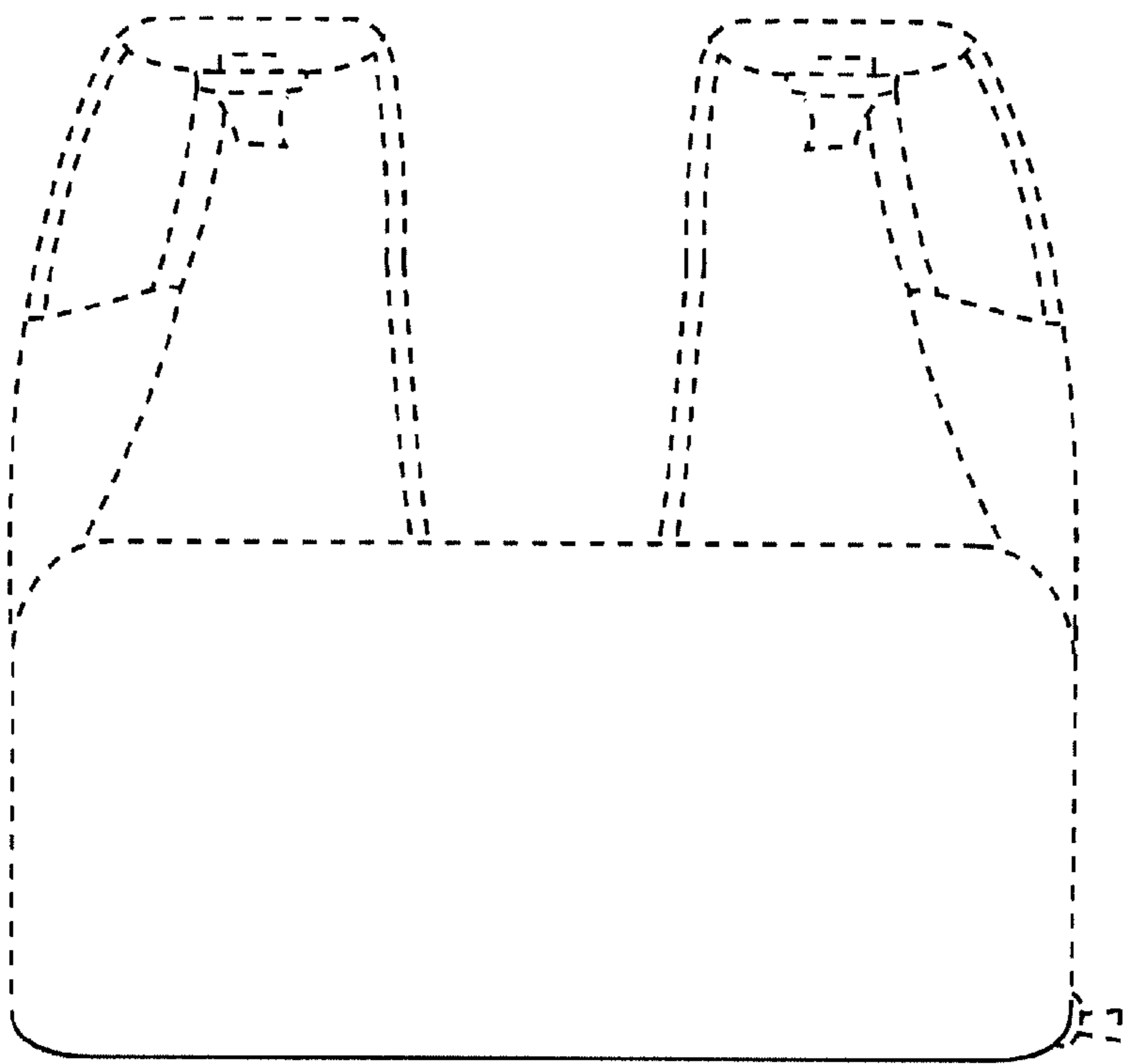


Fig. 6

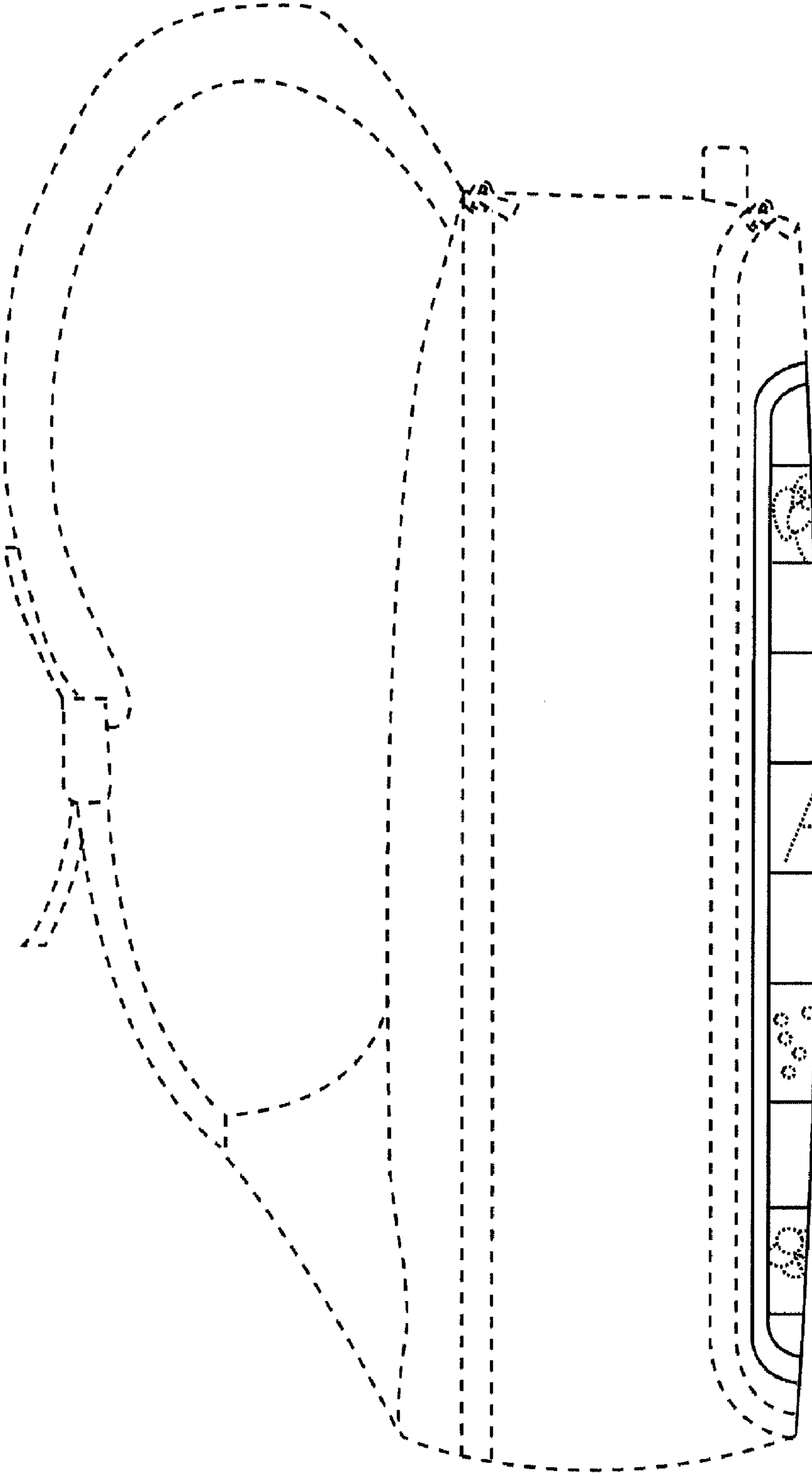


Fig. 7



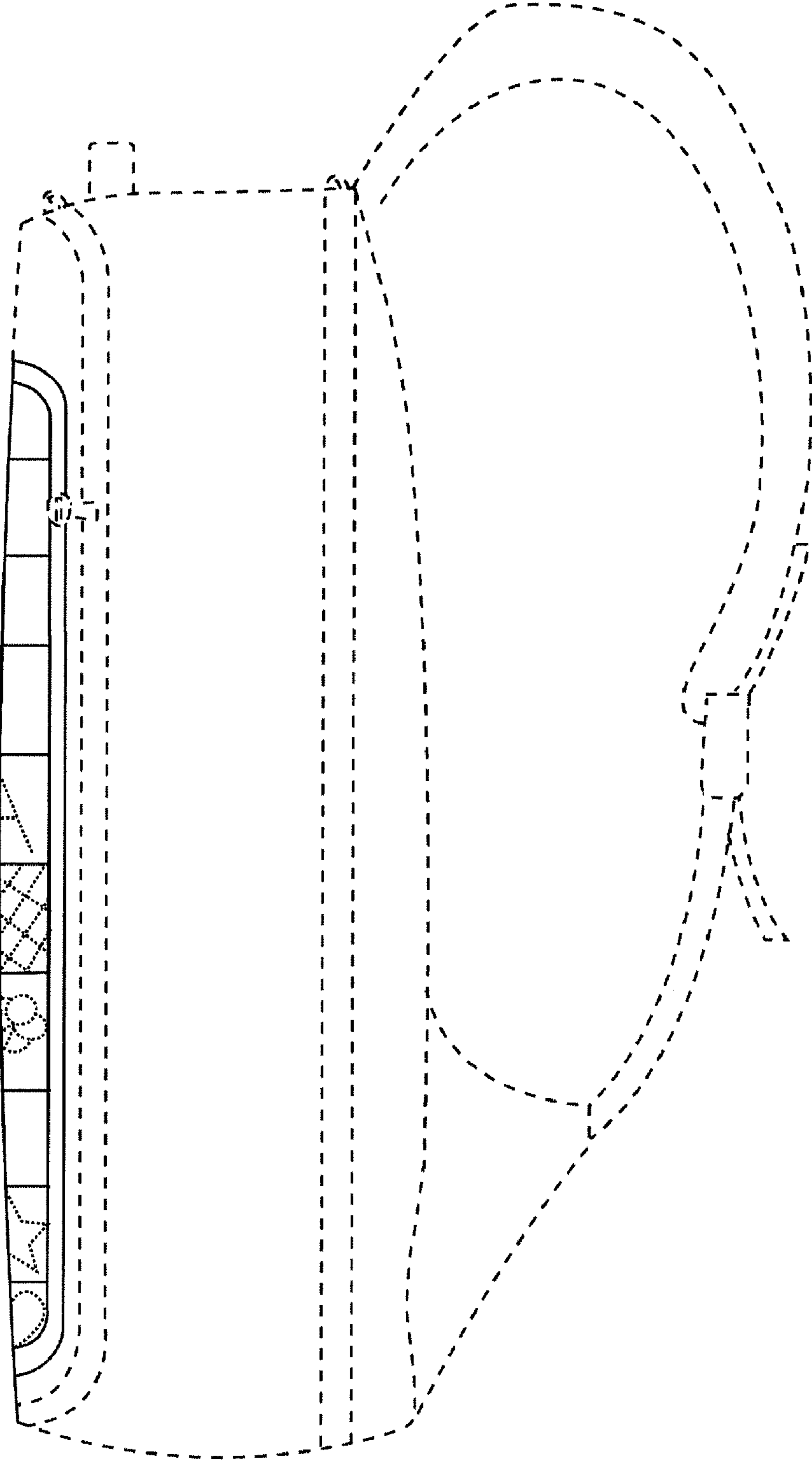


Fig. 8

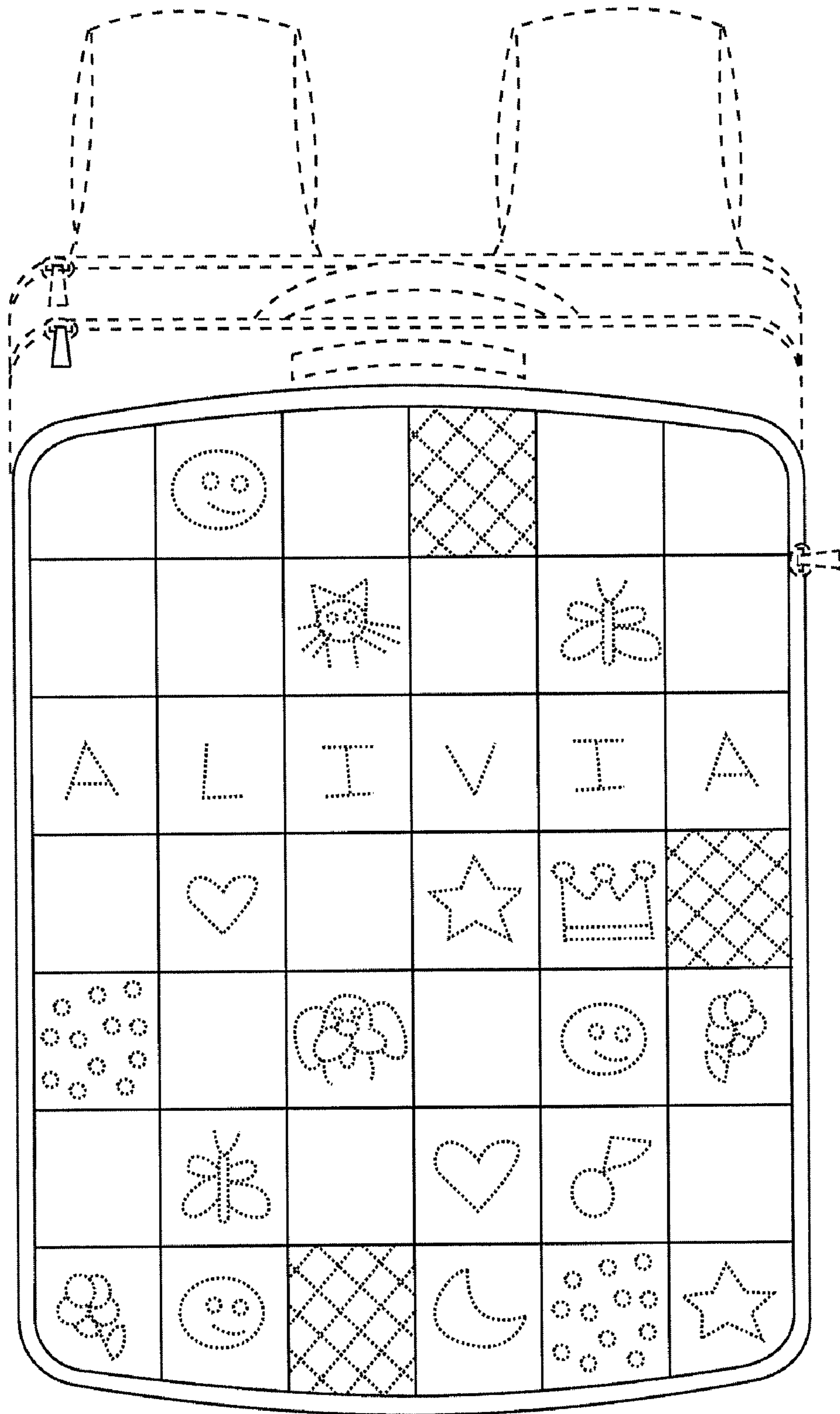


Fig. 9

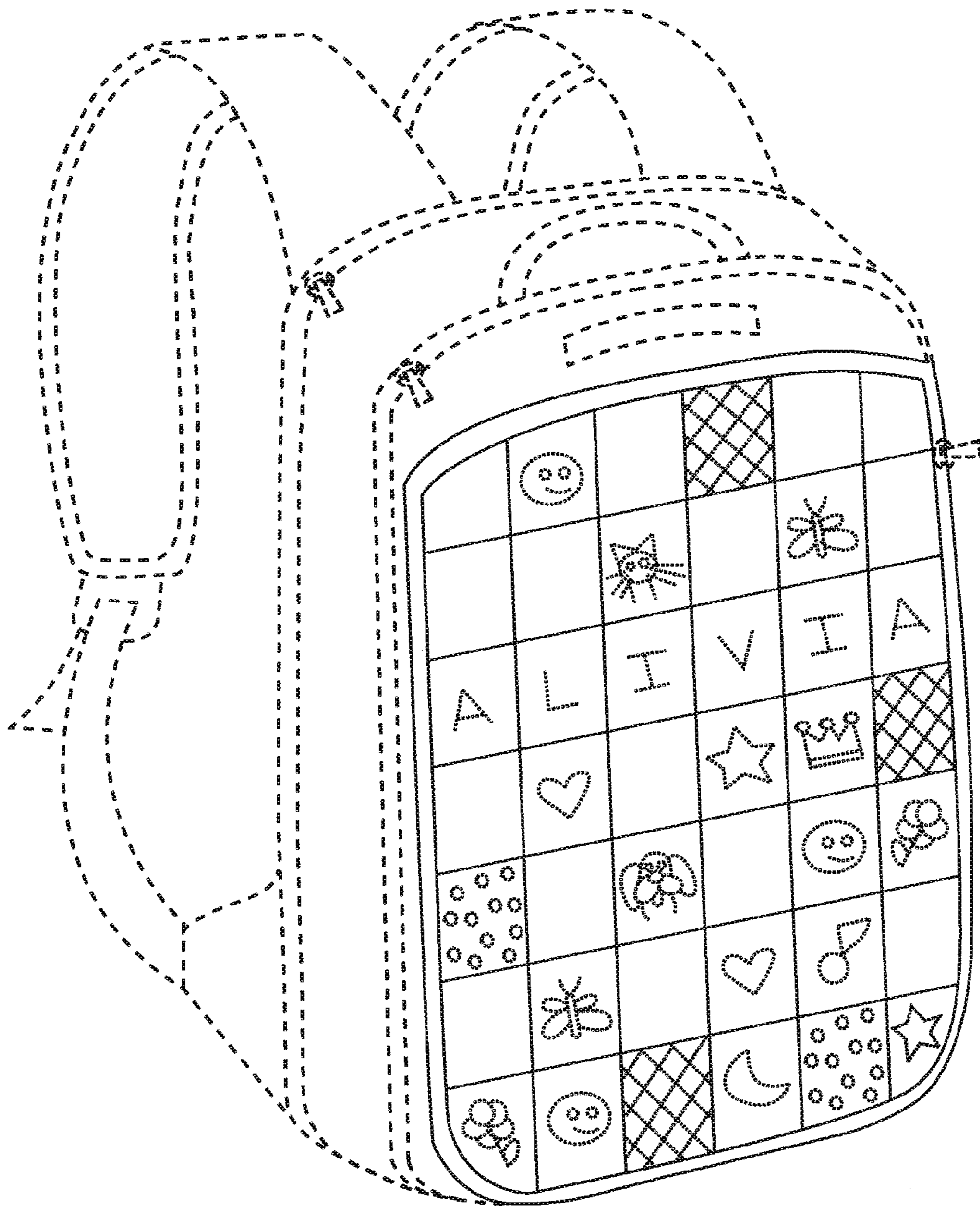


Fig. 10

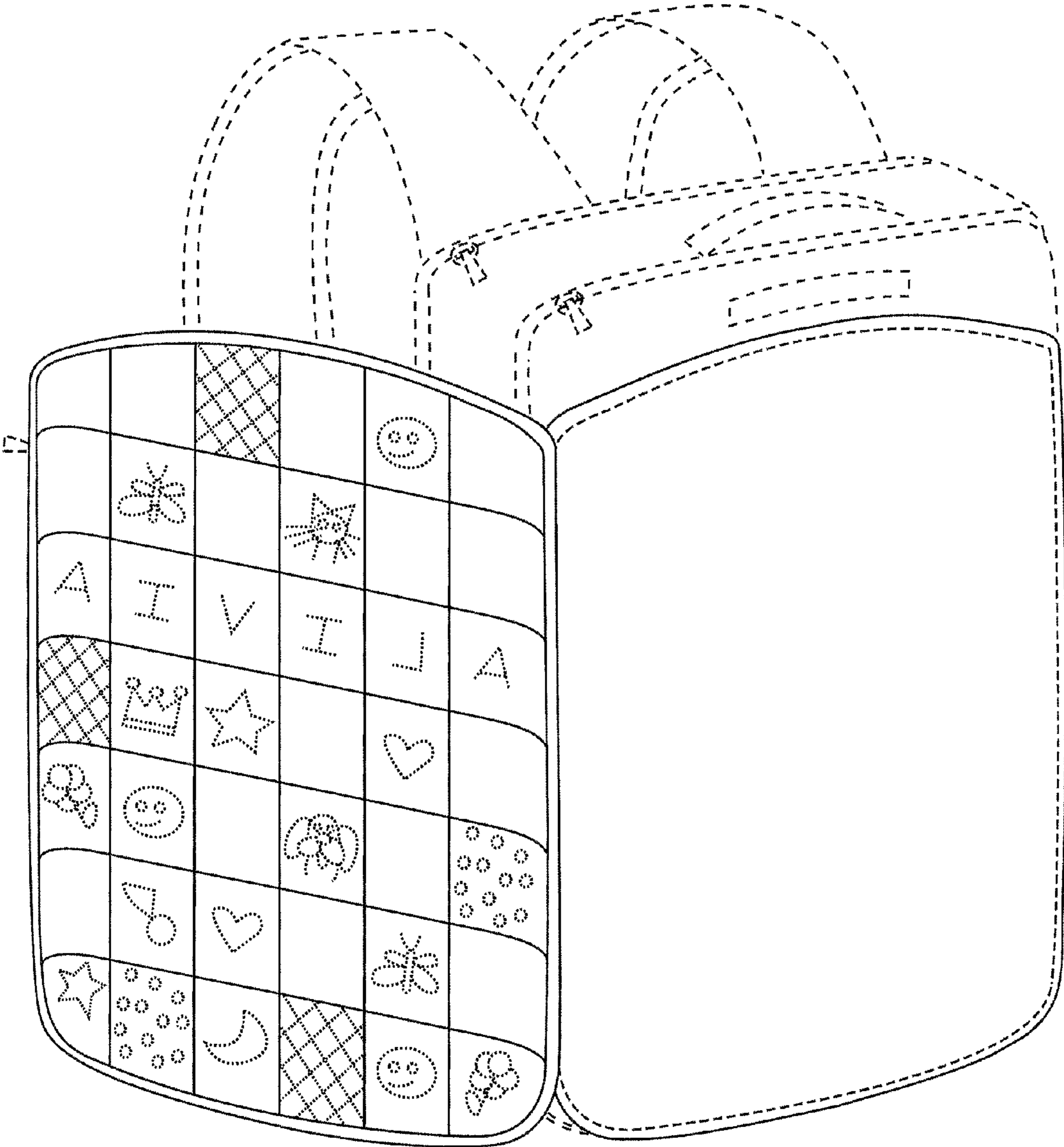


Fig. 11

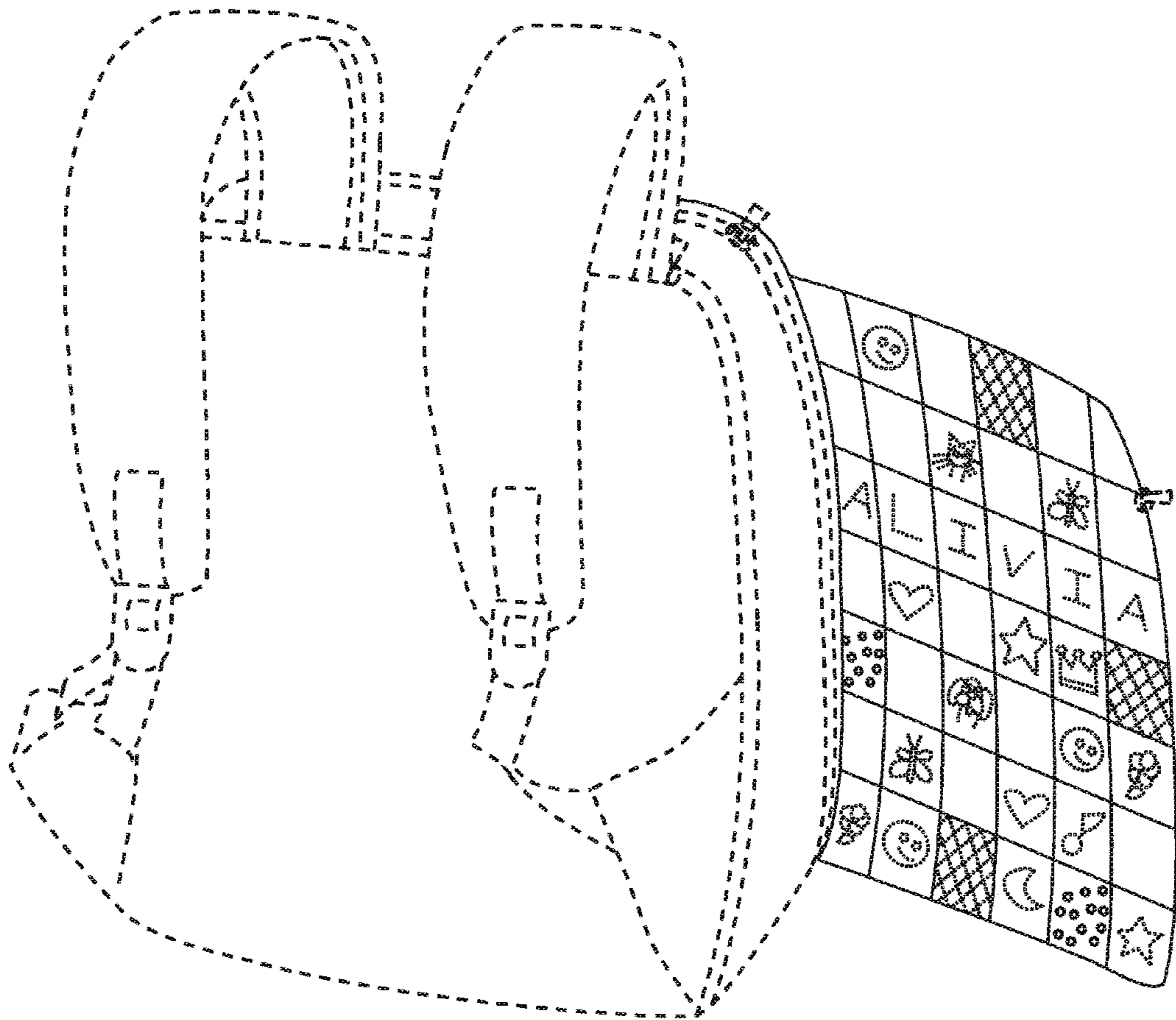


Fig. 12

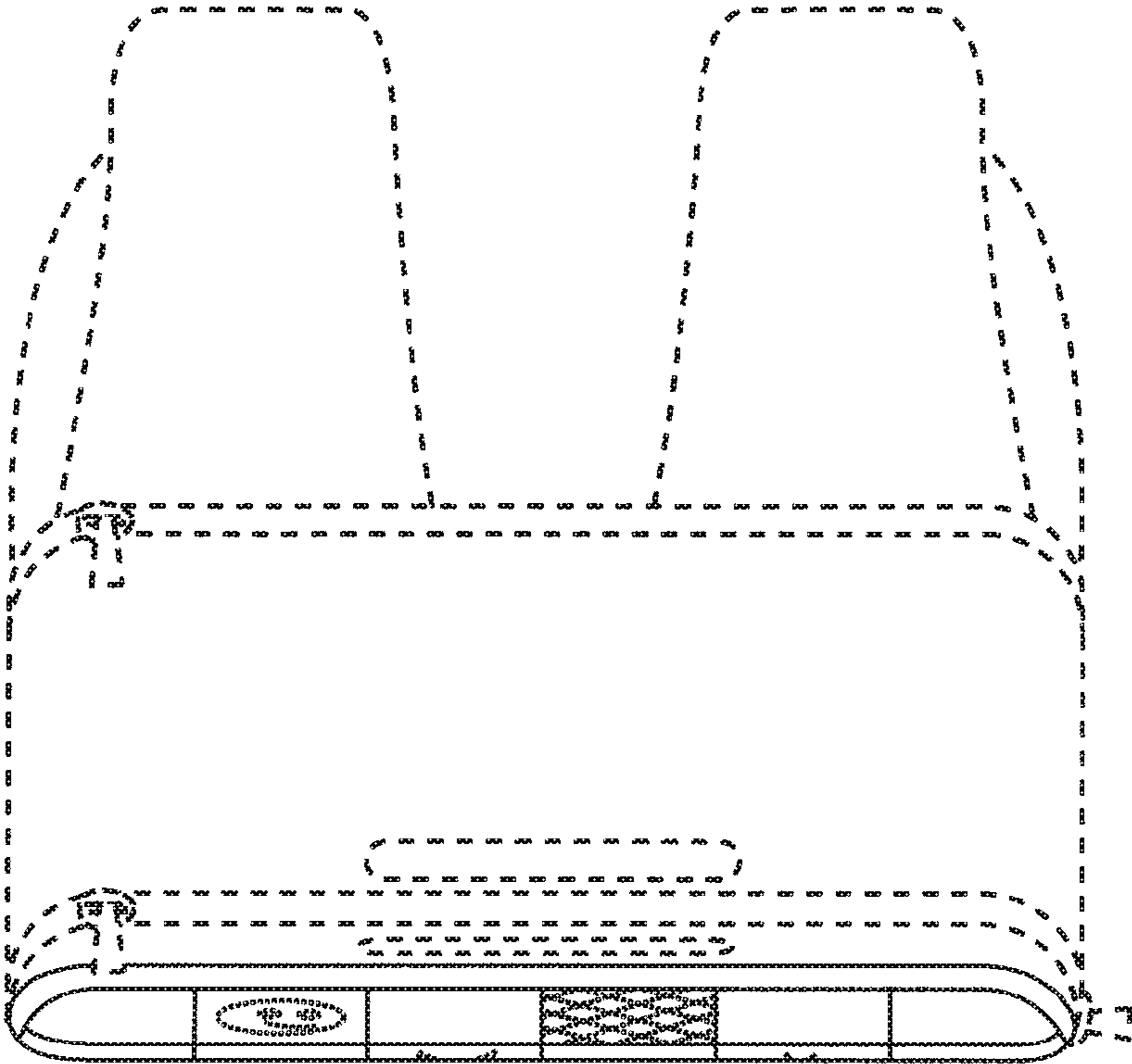


Fig. 13

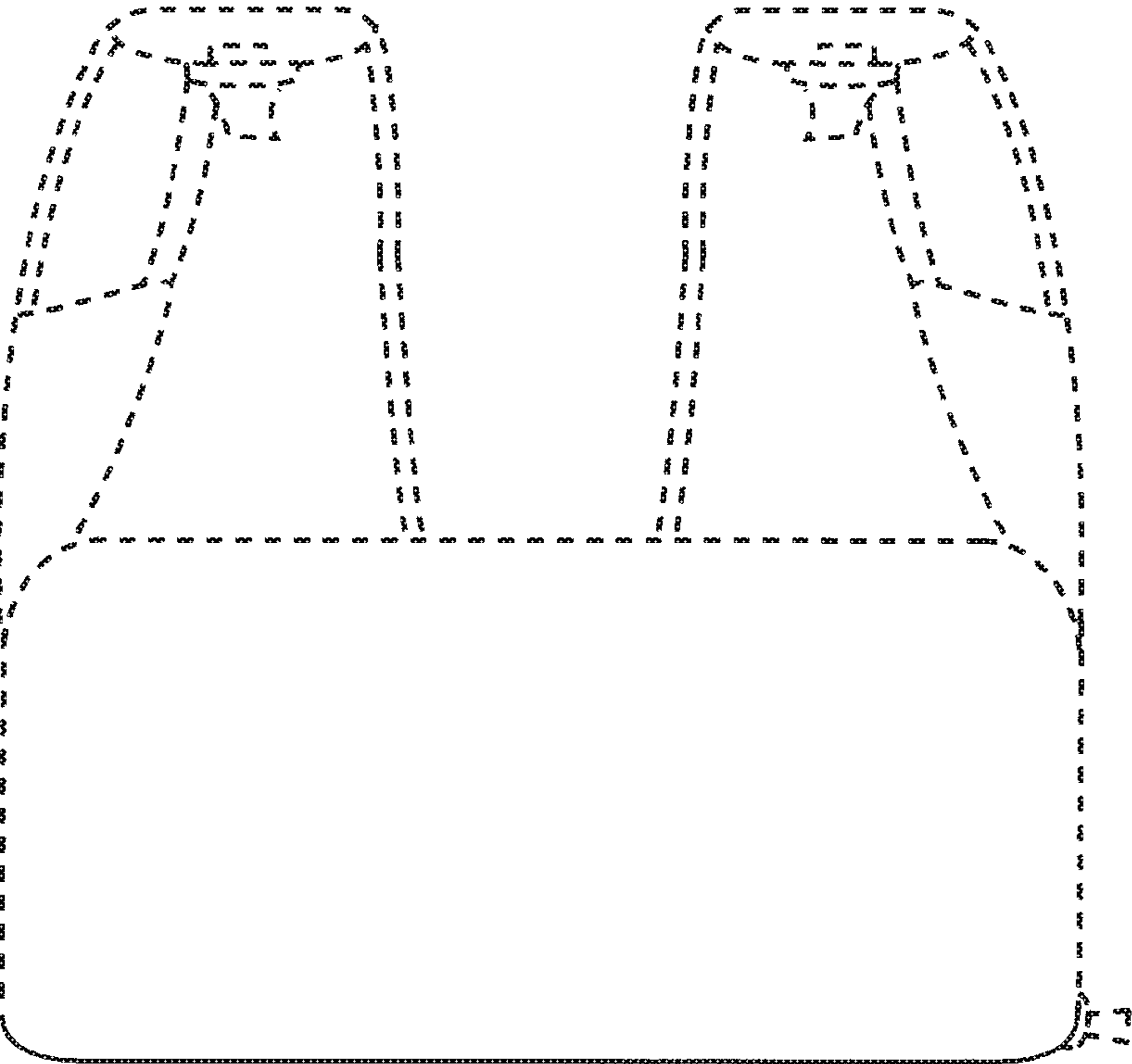


Fig. 14

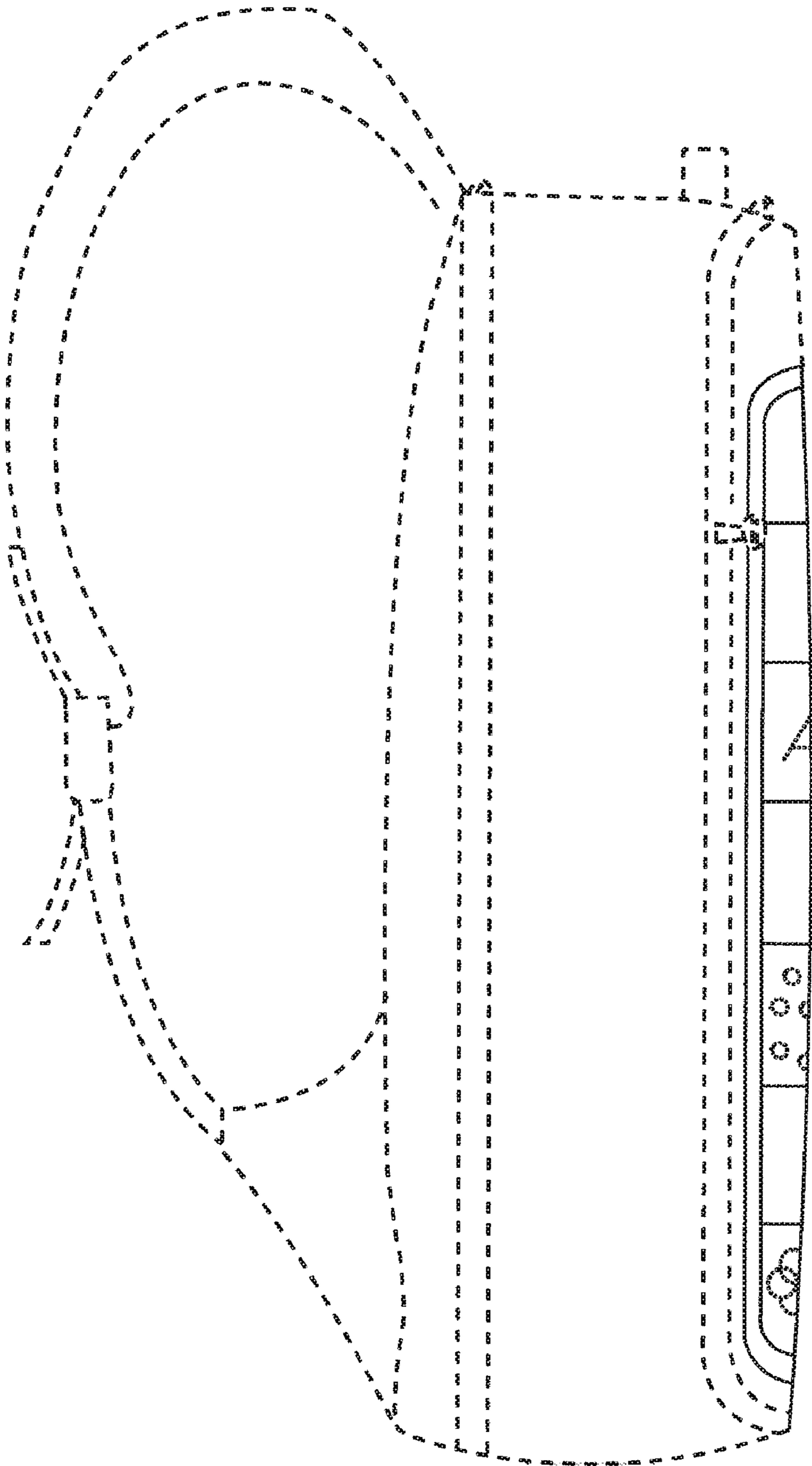


Fig. 15

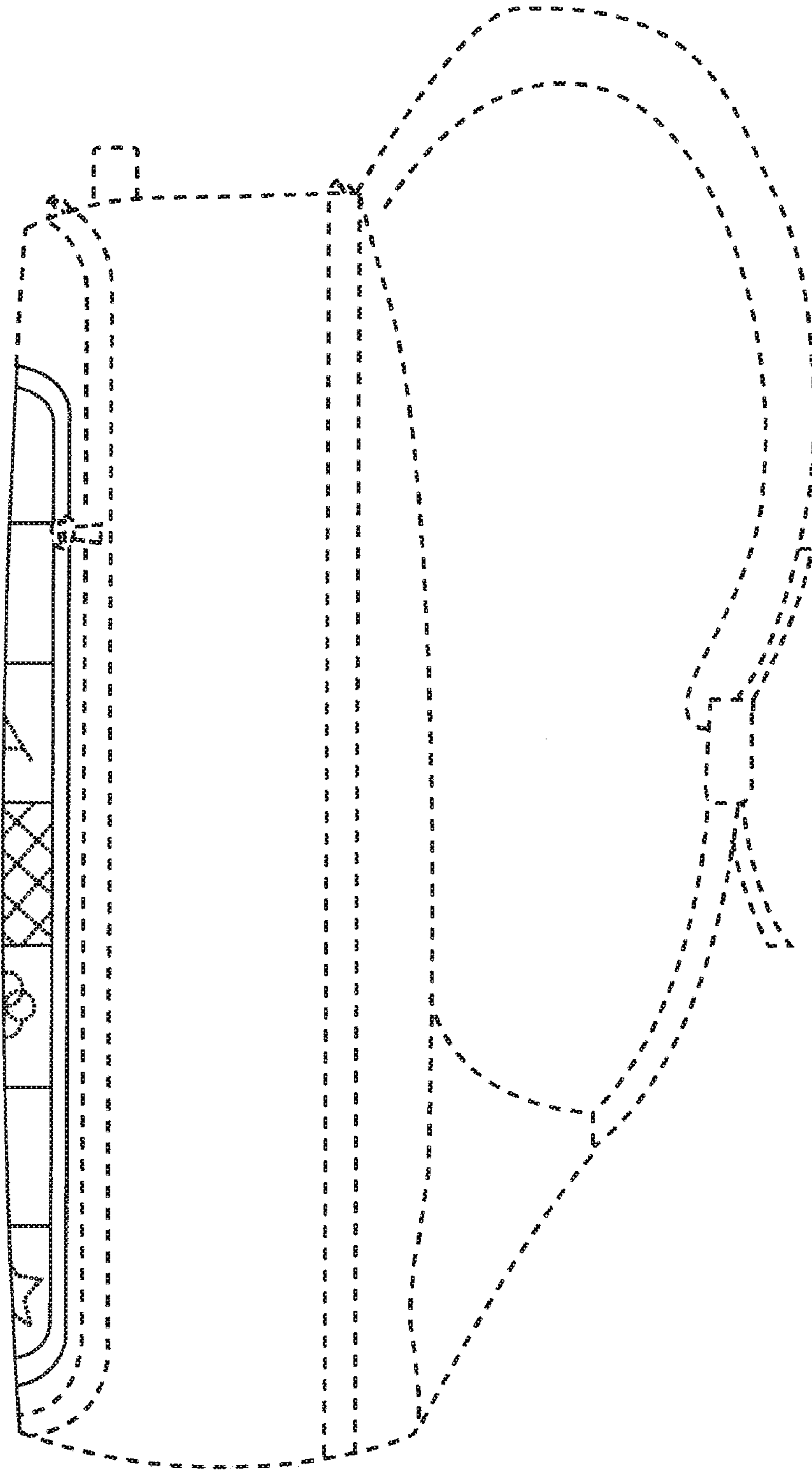


Fig. 16