



US00D670914S

(12) **United States Design Patent**  
**Price**

(10) **Patent No.:** **US D670,914 S**

(45) **Date of Patent:** **\*\* Nov. 20, 2012**

(54) **FISHING LURE ORGANIZER**

(76) Inventor: **Stan Price**, Reno, NV (US)

(\*\*) Term: **14 Years**

(21) Appl. No.: **29/398,318**

(22) Filed: **Jul. 29, 2011**

(51) **LOC (9) Cl.** ..... **03-01**

(52) **U.S. Cl.** ..... **D3/318; D3/260**

(58) **Field of Classification Search** ..... D3/260,  
D3/262, 272-273, 318, 294-297; 206/278,  
206/457, 215, 555, 1.5, 235, 265  
See application file for complete search history.

(56) **References Cited**

**U.S. PATENT DOCUMENTS**

2,566,569	A	*	9/1951	Jensen	.....	224/239
D238,400	S	*	1/1976	Uyeda	.....	D3/319
D359,392	S	*	6/1995	Bellington	.....	D3/262
D362,116	S	*	9/1995	Bellington et al.	.....	D3/262

D517,318 S \* 3/2006 Ruybal ..... D3/302  
\* cited by examiner

*Primary Examiner* — Holly Baynham

(74) *Attorney, Agent, or Firm* — QuickPatents, Inc.; Kevin Prince

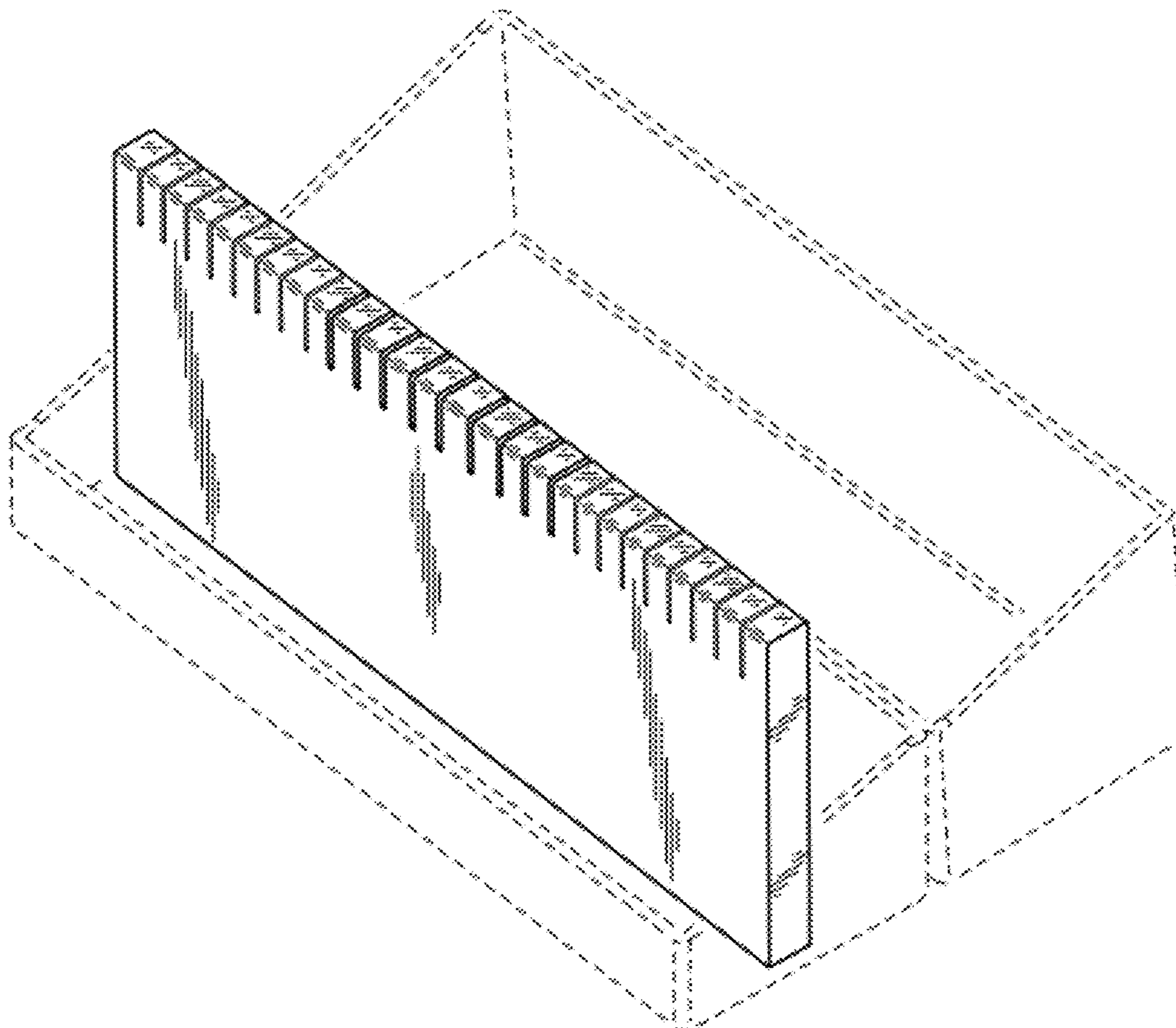
(57) **CLAIM**

I claim the ornamental design for a fishing lure organizer, as shown and described.

**DESCRIPTION**

FIG. 1 is a perspective view of a fishing lure organizer, showing my new design;  
FIG. 2 is a front elevational view thereof;  
FIG. 3 is a rear elevational view thereof;  
FIG. 4 is a top plan view thereof;  
FIG. 5 is a bottom plan view thereof;  
FIG. 6 is a right-side elevational view thereof; and,  
FIG. 7 is a left-side elevational view thereof.  
The broken lines showing a tackle box in FIG. 1 and a fishing rig in FIG. 6 depict environmental matter and form no part of the claimed design.

**1 Claim, 3 Drawing Sheets**



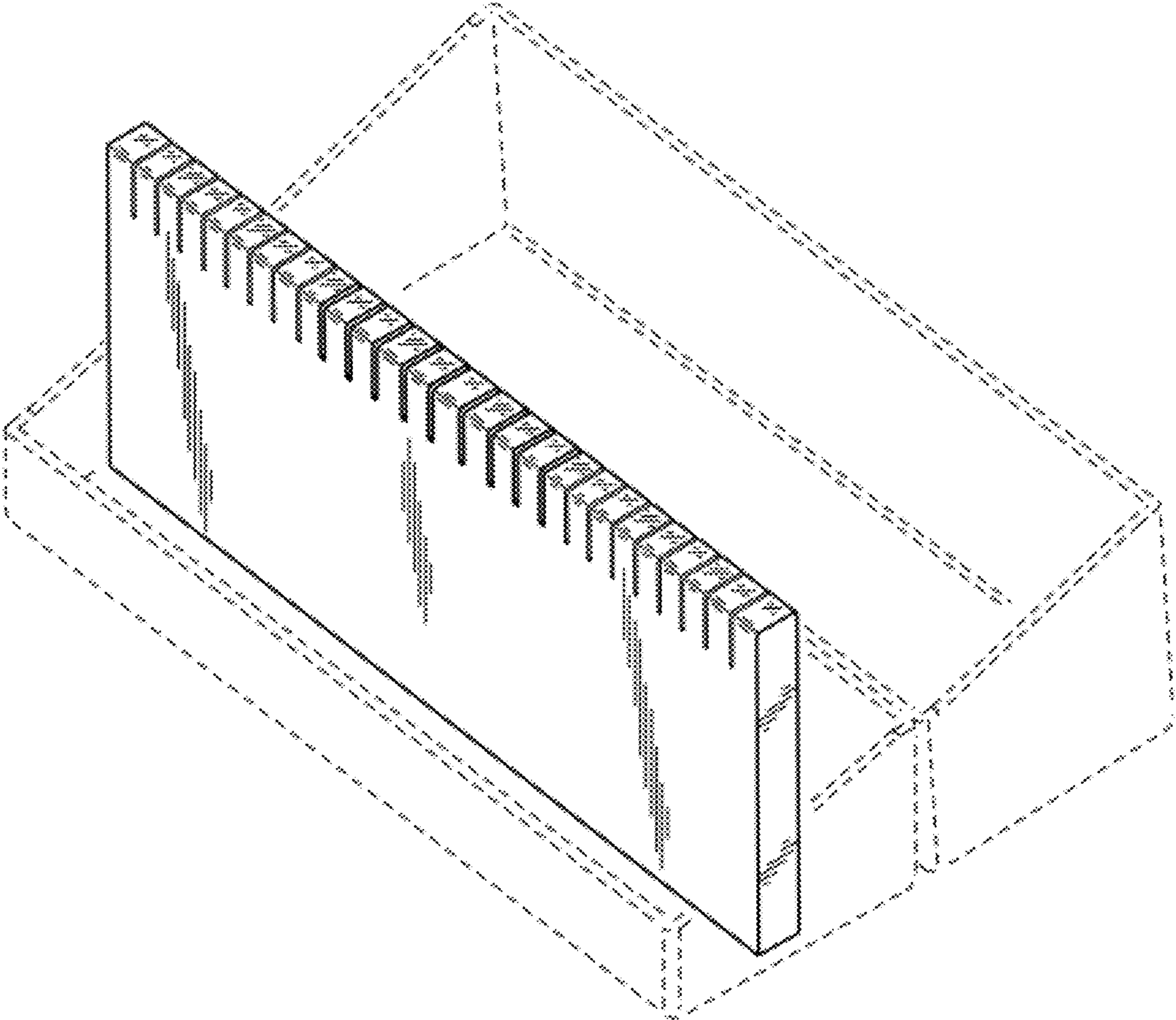


FIG. 1

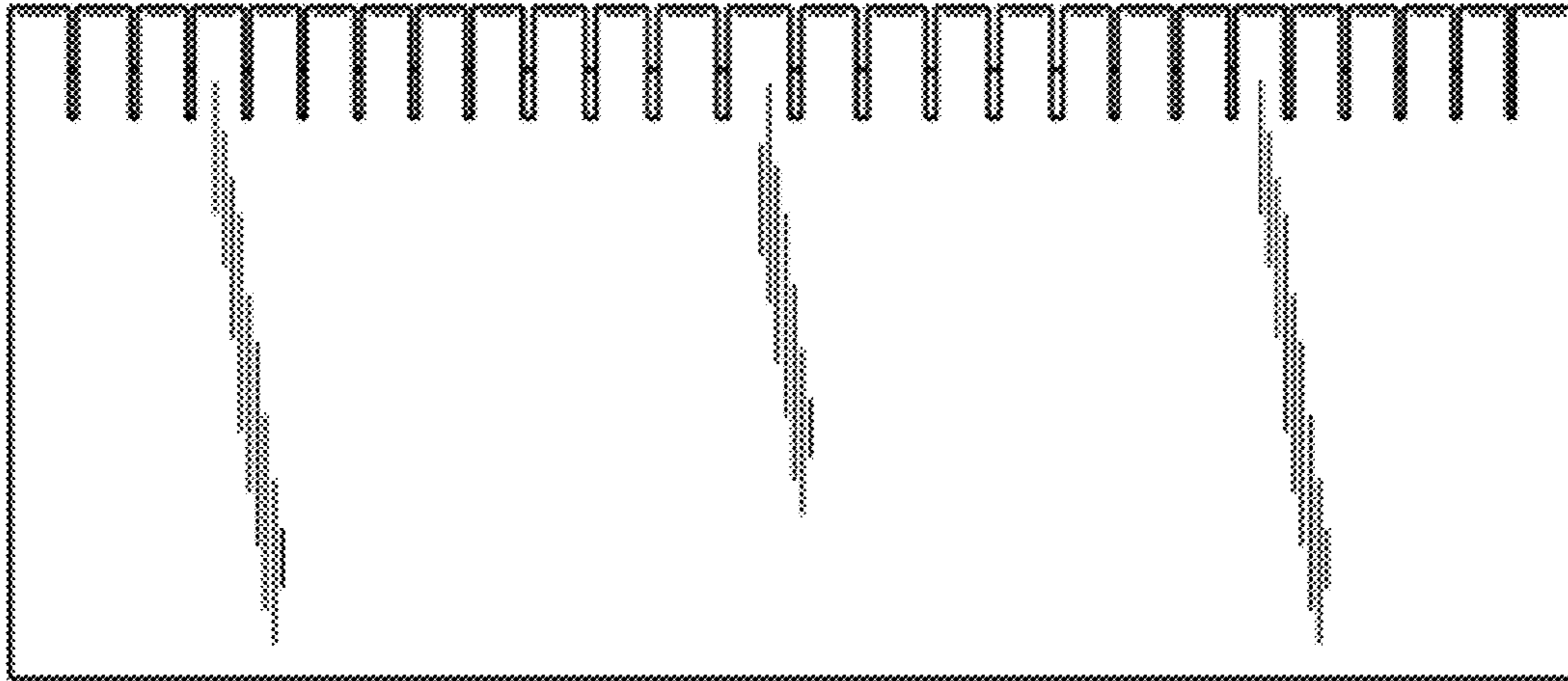


FIG. 2

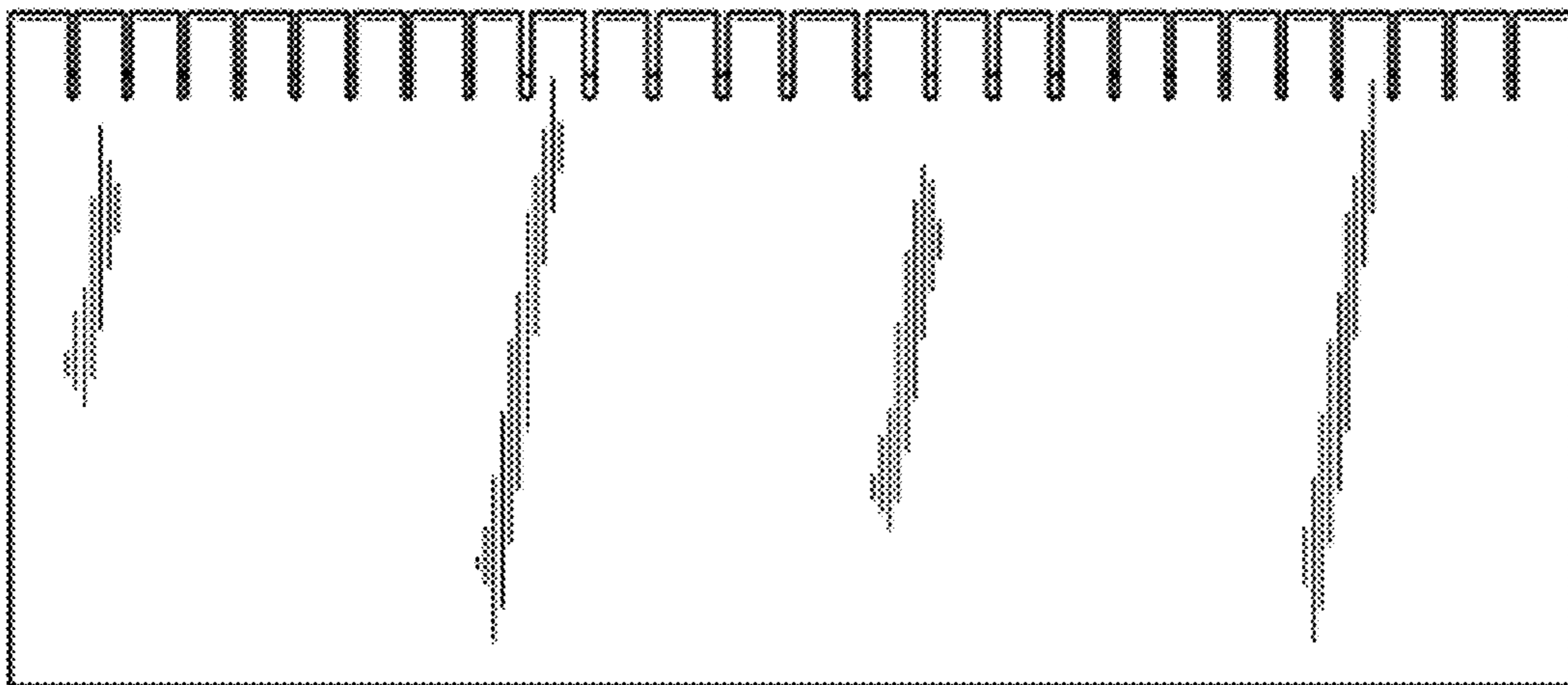


FIG. 3



FIG. 4



FIG. 5

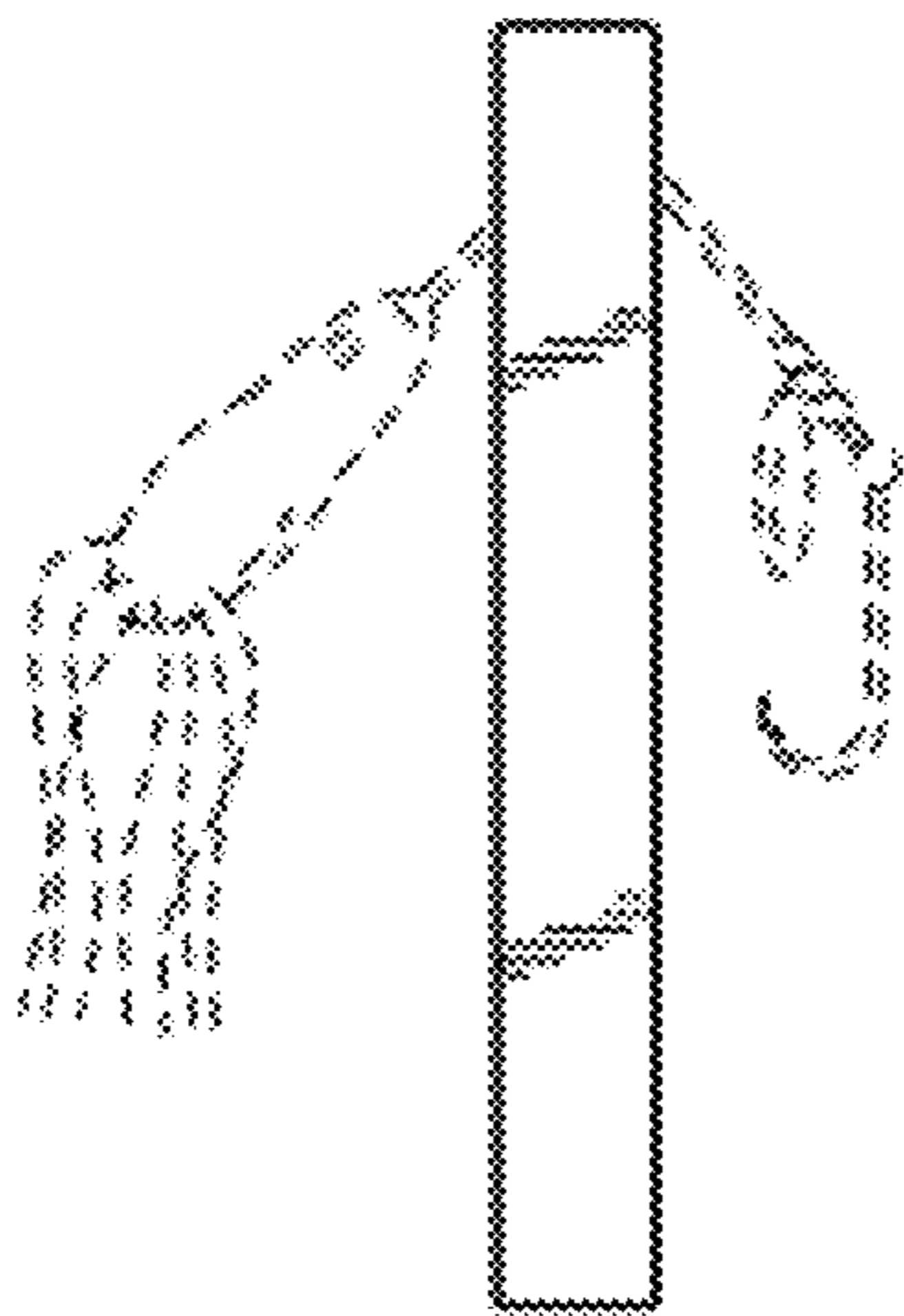


FIG. 6



FIG. 7