



US00D670911S

(12) **United States Design Patent**
Bollinger et al.

(10) **Patent No.:** **US D670,911 S**

(45) **Date of Patent:** **** Nov. 20, 2012**

(54) **CARRYING CASE WITH SPEAKERS FOR
TABLET COMPUTERS**

(75) Inventors: **Branson Bollinger**, Marina Del Ray, CA
(US); **Brendon Bollinger**, Marina Del
Ray, CA (US)

(73) Assignee: **Bollinger Sports L.L.C.**, Grand Prairie,
TX (US)

(**) Term: **14 Years**

(21) Appl. No.: **29/398,718**

(22) Filed: **Aug. 3, 2011**

(51) **LOC (9) Cl.** **03-01**

(52) **U.S. Cl.** **D3/301**

(58) **Field of Classification Search** D3/301,
D3/294, 272-273; D14/238.1, 440; 206/278,
206/457, 215, 555, 1.5, 235, 265
See application file for complete search history.

(56) **References Cited**

U.S. PATENT DOCUMENTS

D513,148 S *	12/2005	Nieves	D6/633
D570,593 S *	6/2008	Justiss	D3/201
D592,399 S *	5/2009	Sage	D3/295
D596,158 S *	7/2009	Ragde et al.	D14/214
D612,152 S *	3/2010	Roesler	D3/294
D623,642 S *	9/2010	Wang	D14/253
D624,316 S *	9/2010	Ferber et al.	D3/294

* cited by examiner

Primary Examiner — Holly Baynham

(74) *Attorney, Agent, or Firm* — Thorpe North & Western
LLP

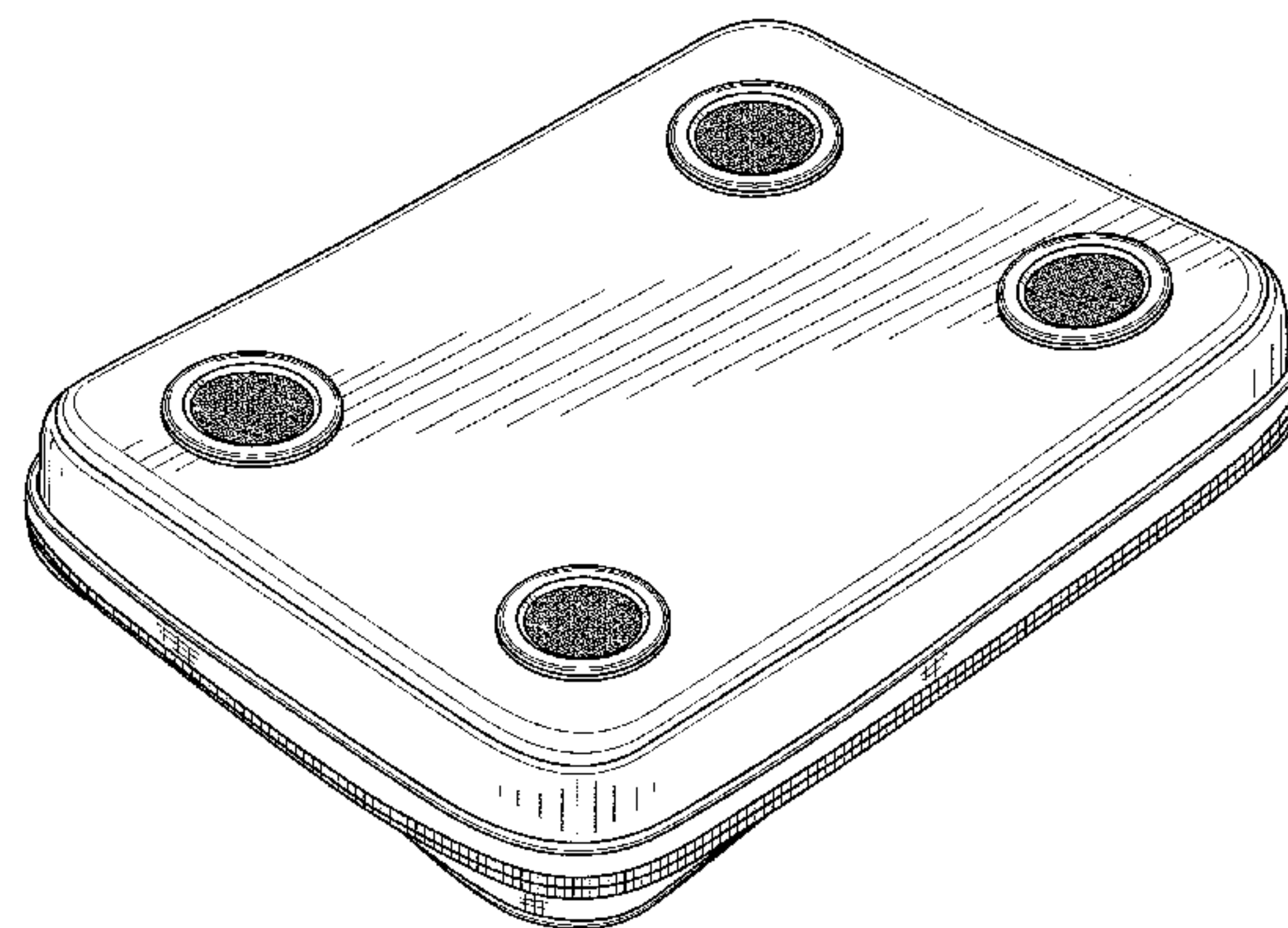
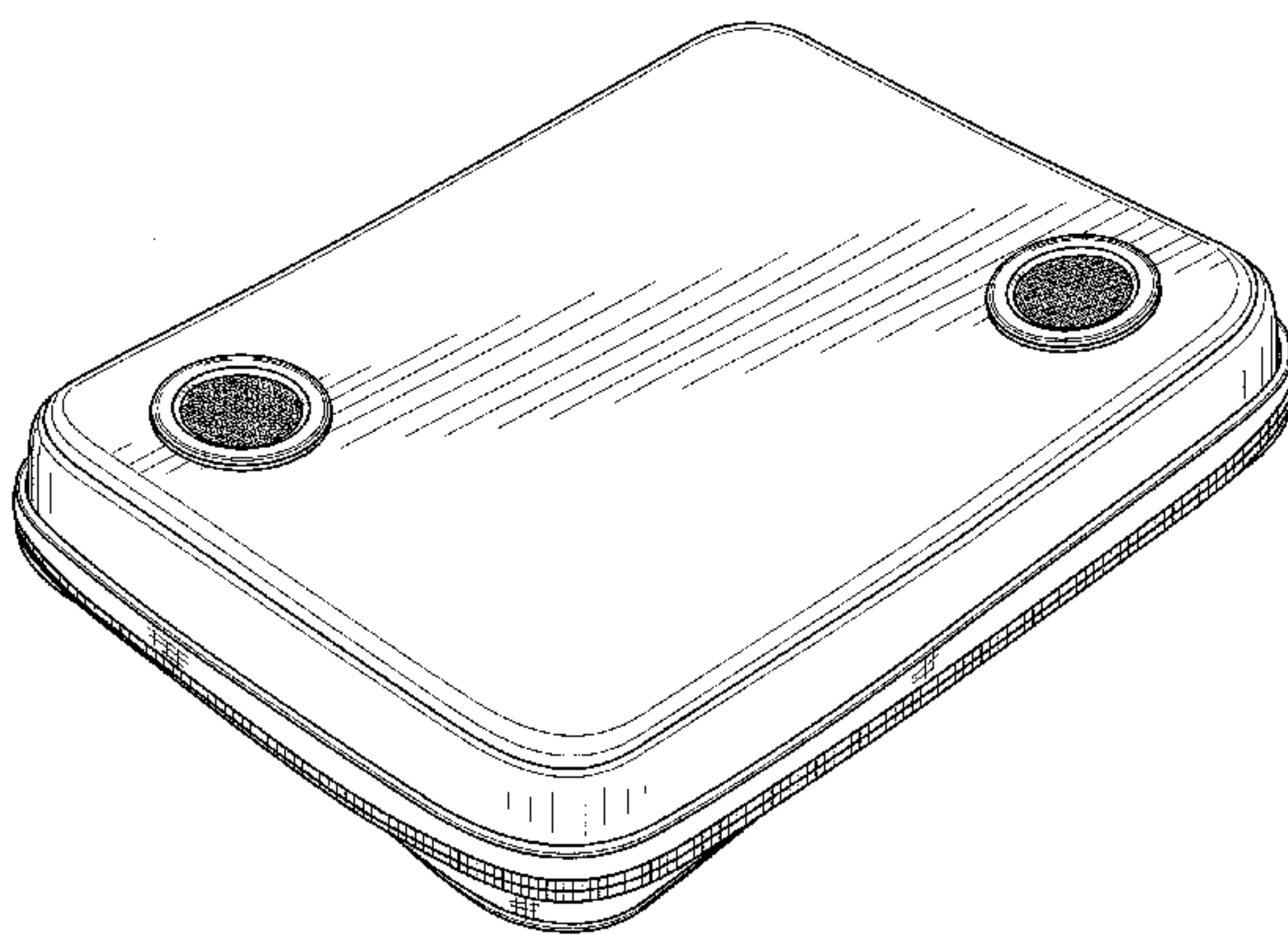
(57) **CLAIM**

The ornamental design for a carrying case with speakers for
tablet computers, as shown and described.

DESCRIPTION

FIG. 1 is a perspective view of the carrying case with two
speakers;
FIG. 2 is a top view of the carrying case of FIG. 1;
FIG. 3 is a bottom view of the carrying case;
FIG. 4 is an end view of the carrying case;
FIG. 5 is an opposing end view of the carrying case;
FIG. 6 is a side view of the carrying case;
FIG. 7 is an opposing side view of the carrying case;
FIG. 8 is perspective view of an alternative embodiment of the
carrying case, the only difference being the number of speak-
ers attached to the case;
FIG. 9 is perspective view of an alternative embodiment of the
carrying case, the only difference being the number of speak-
ers attached to the case;
FIG. 10 is an end view of the carrying case of FIG. 9; and,
FIG. 11 is an opposing end view of the carrying case of FIG.
9.

1 Claim, 8 Drawing Sheets



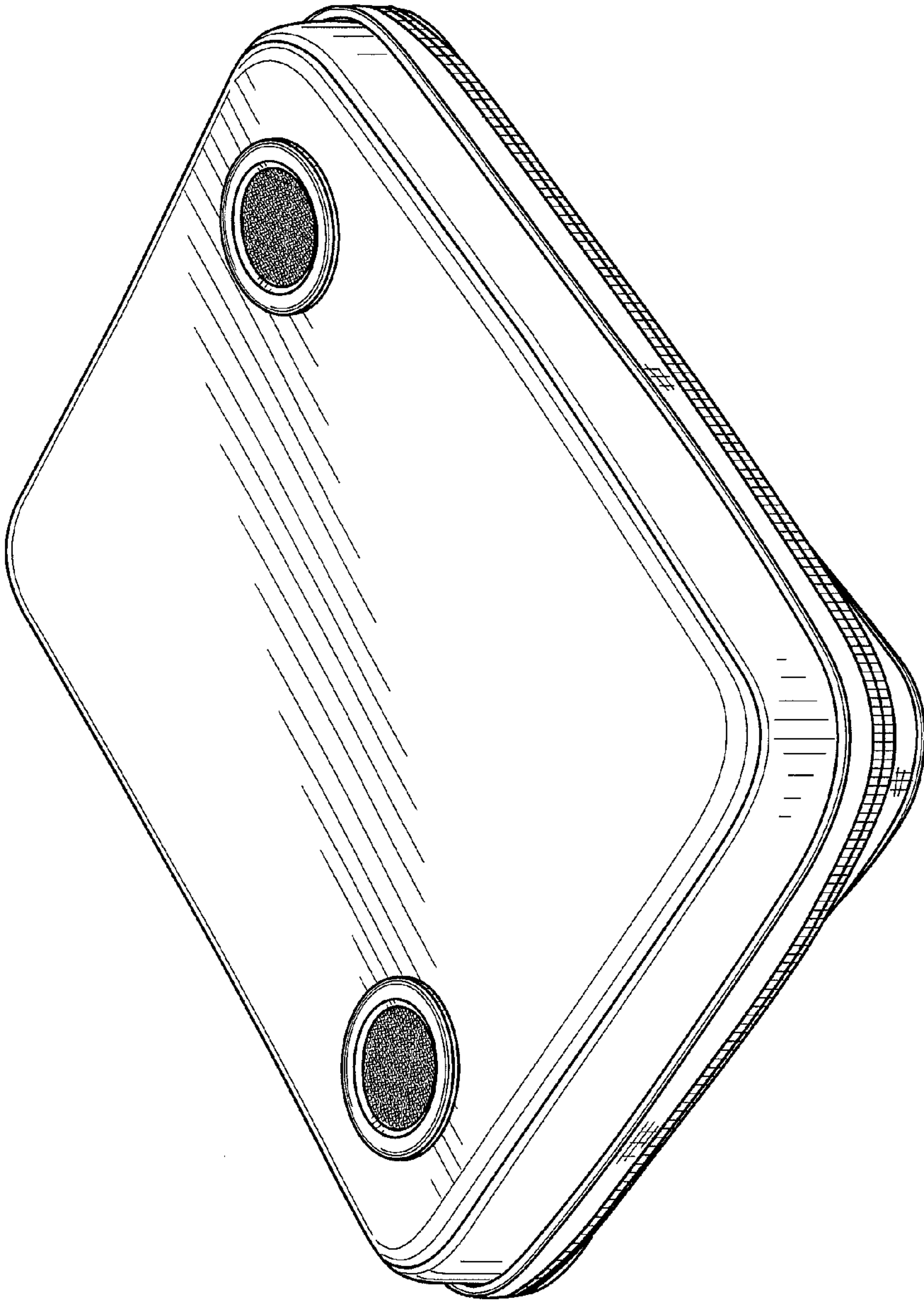


FIG. 1

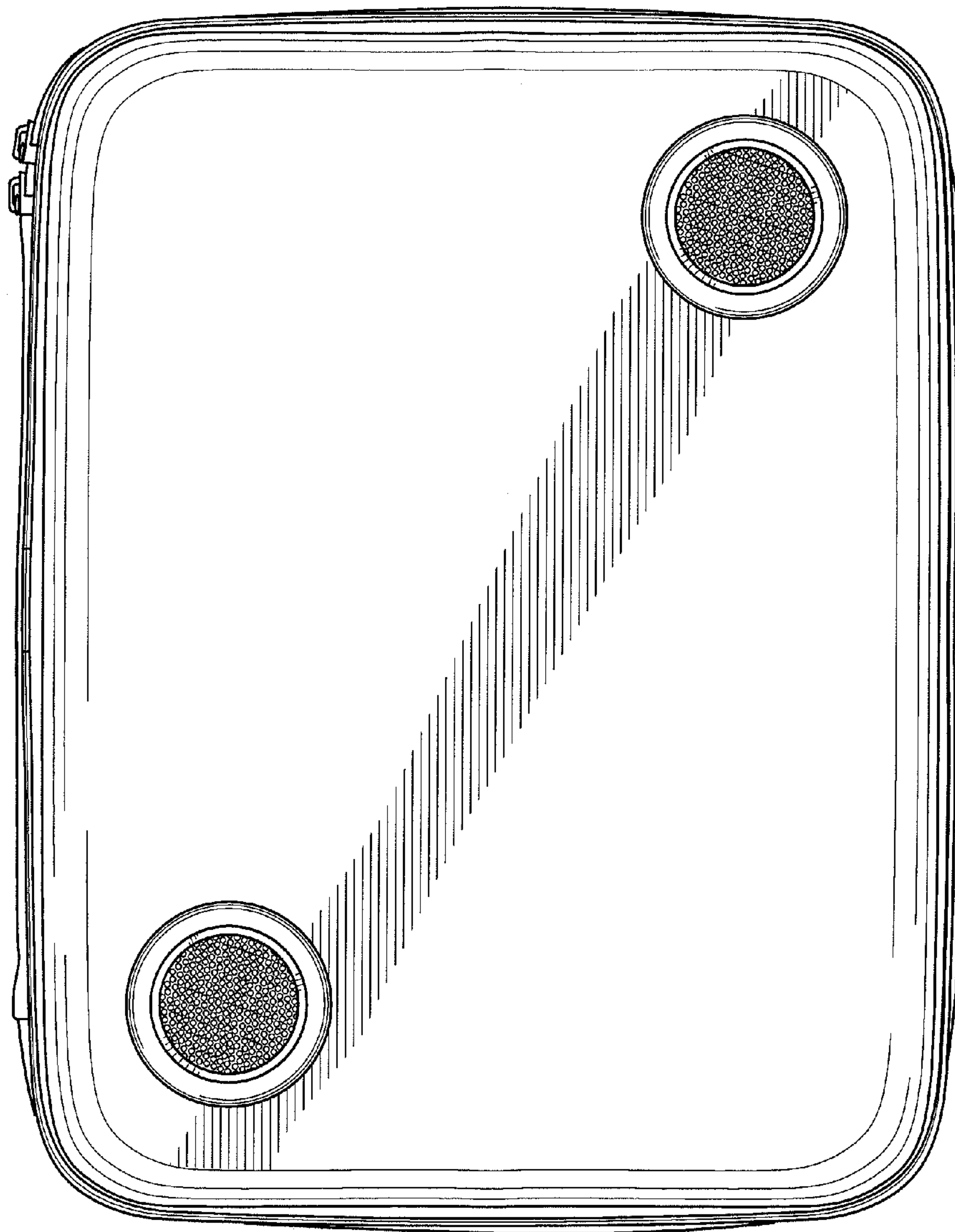


FIG. 2

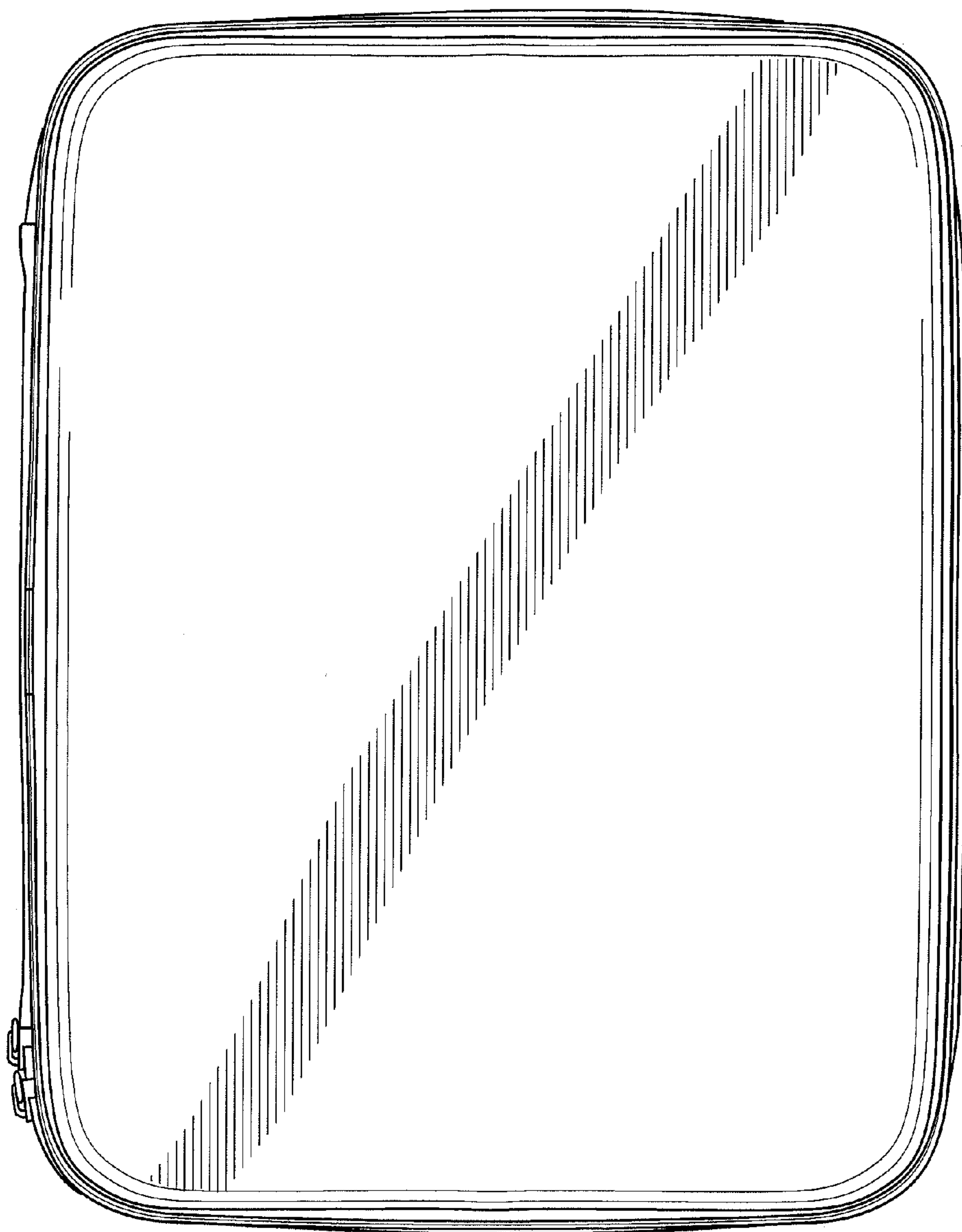


FIG. 3

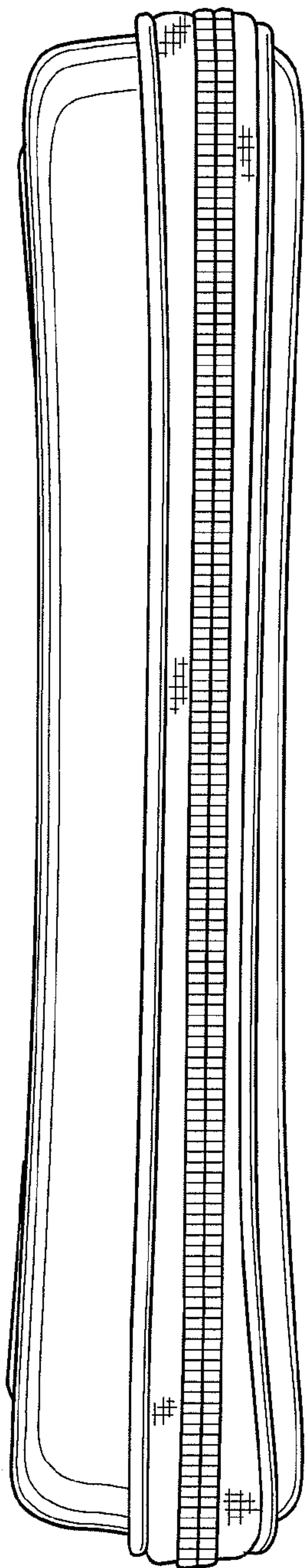


FIG. 4

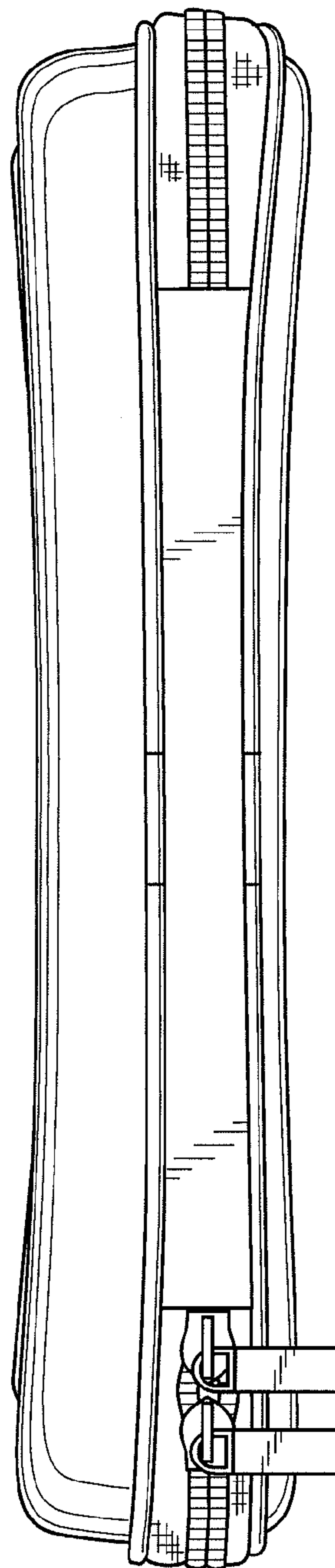


FIG. 5

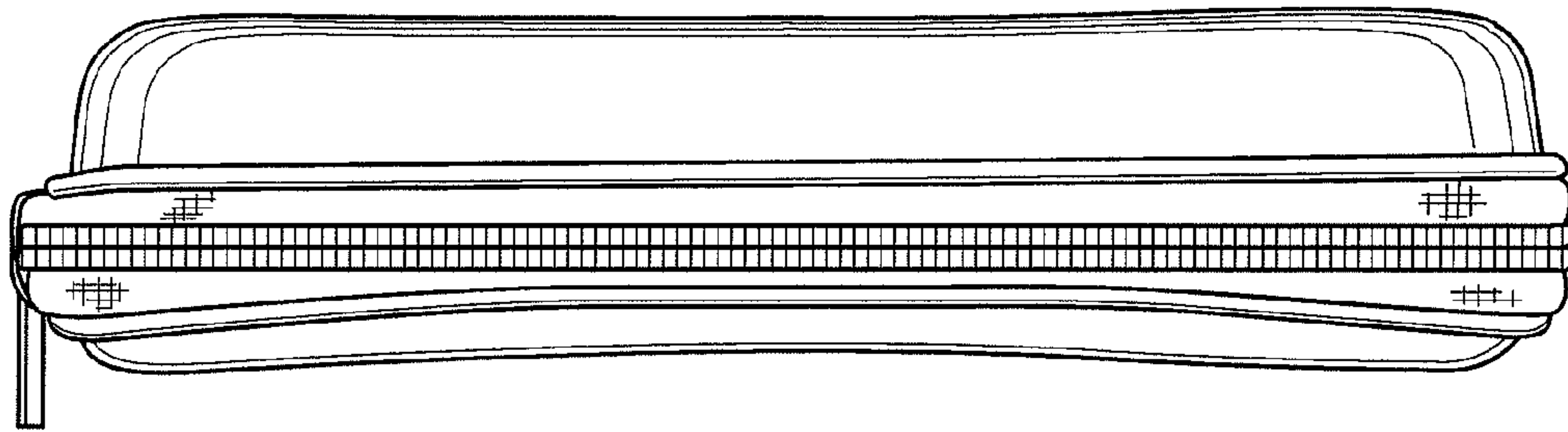


FIG. 6

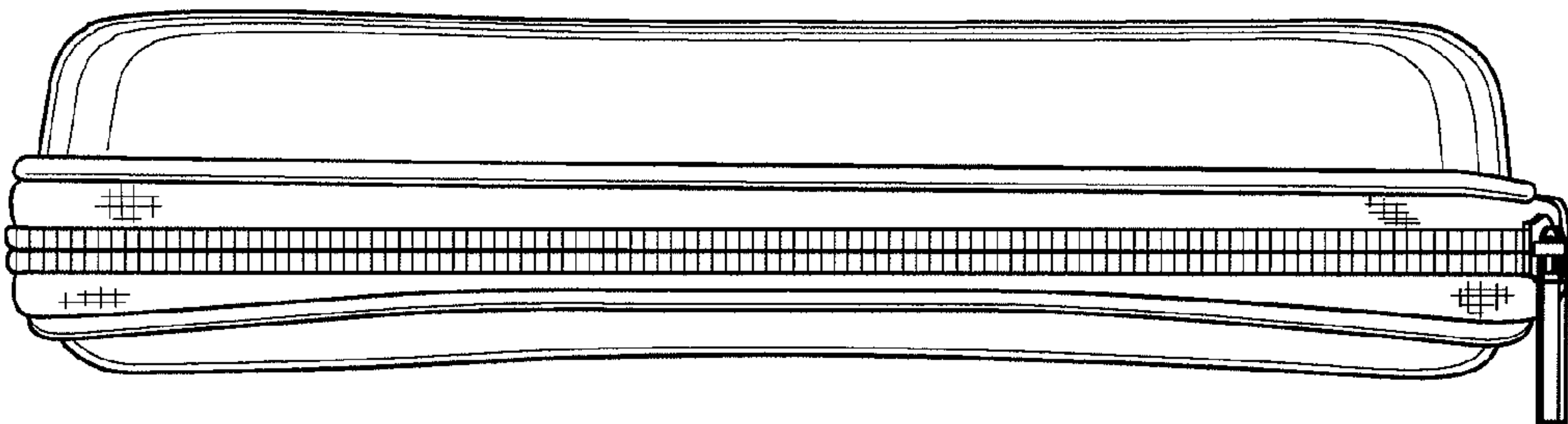


FIG. 7

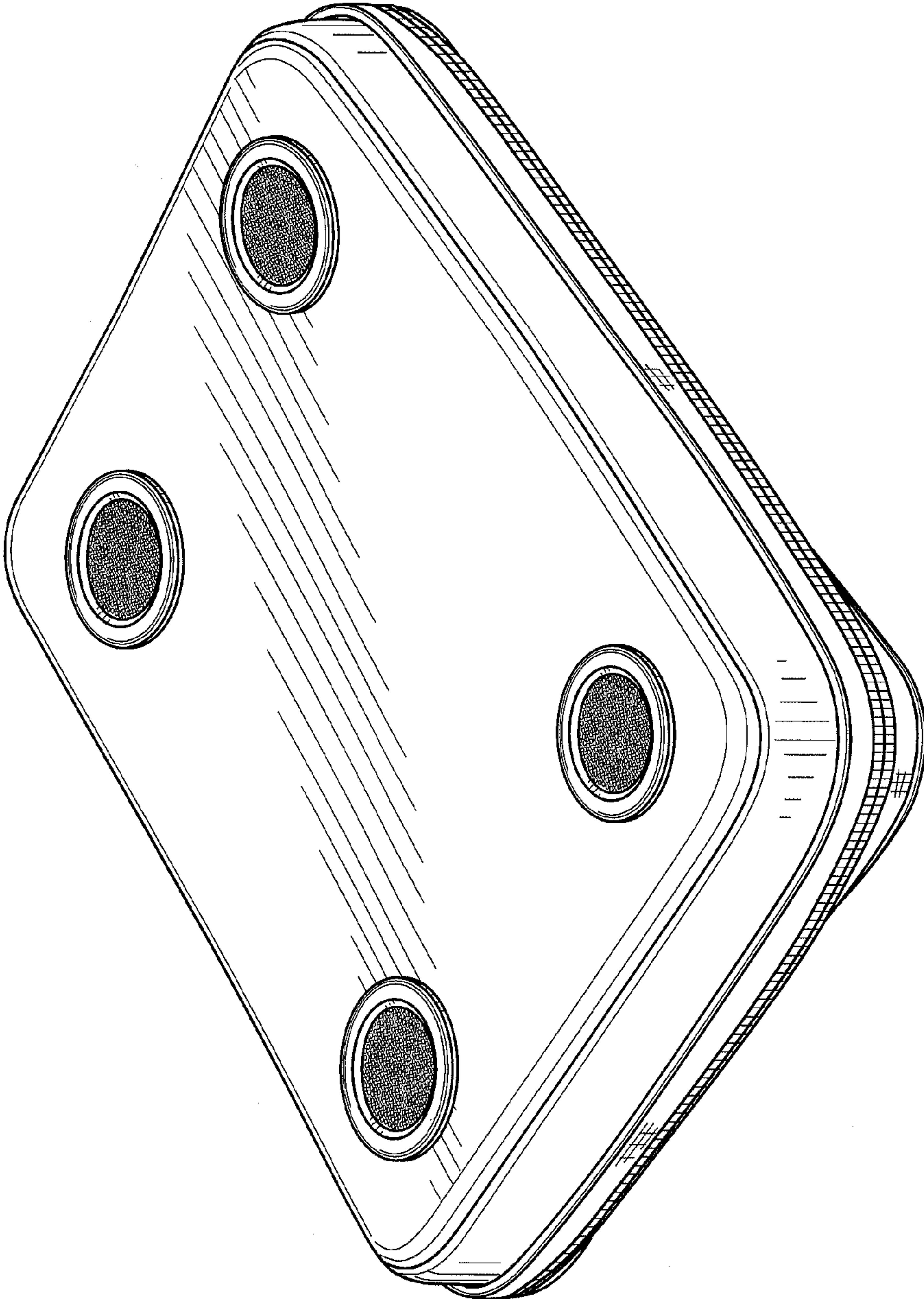


FIG. 8

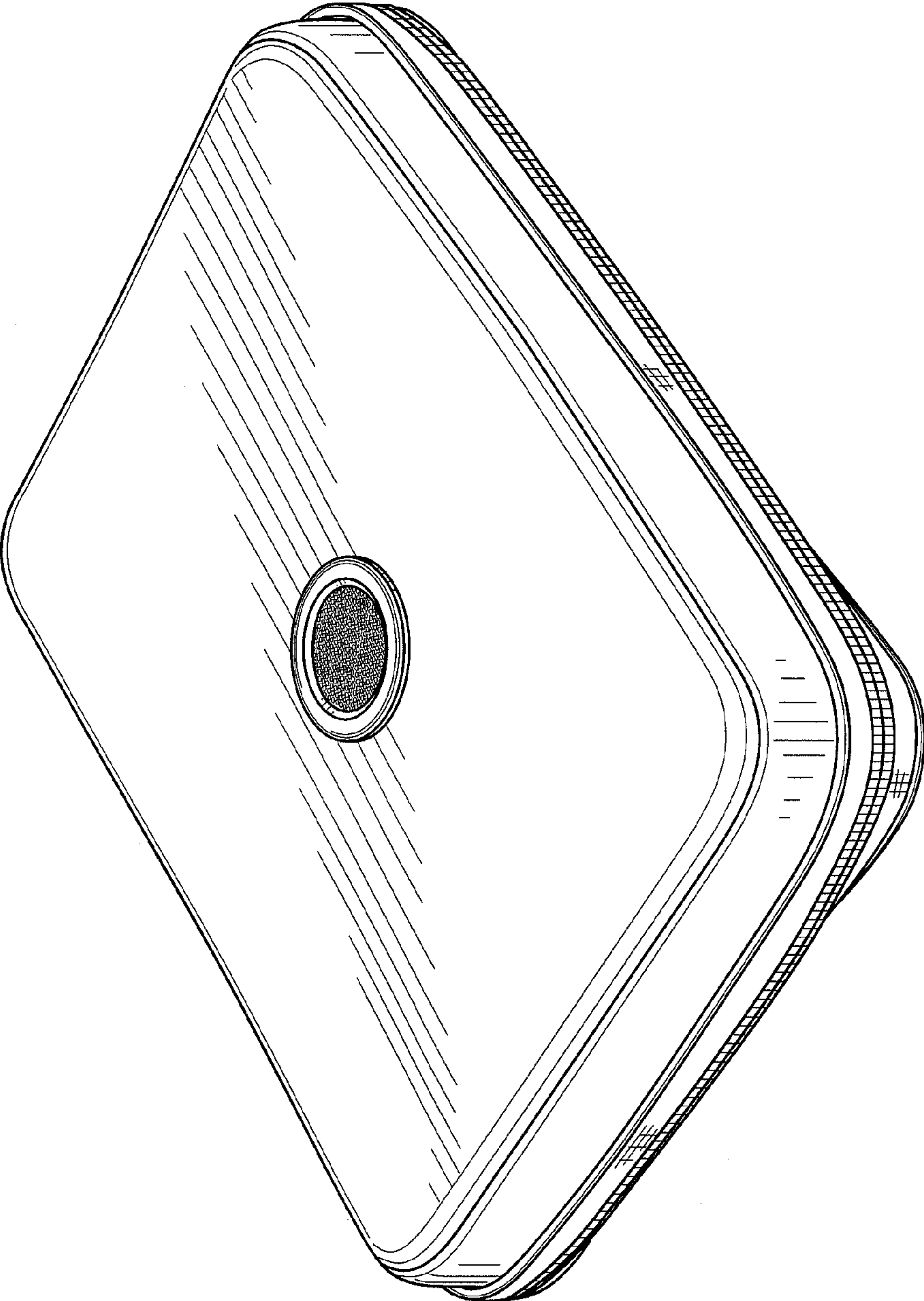


FIG. 9

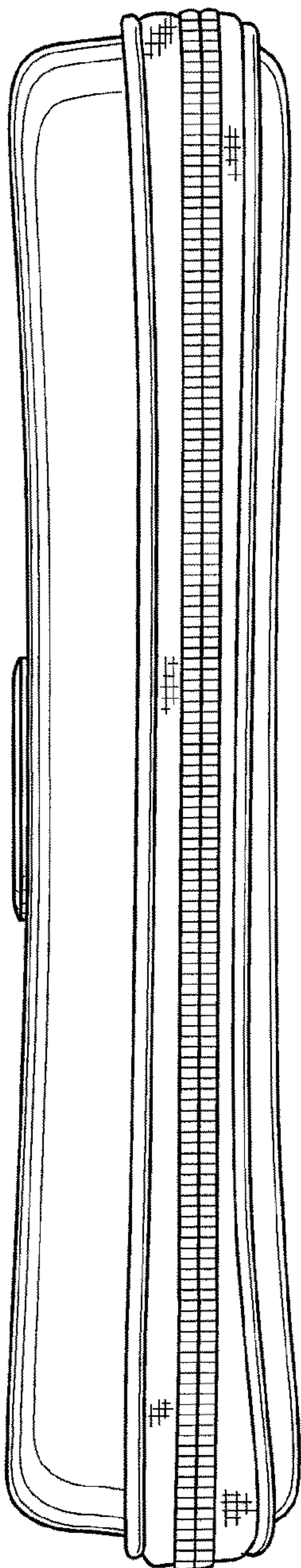


FIG. 10

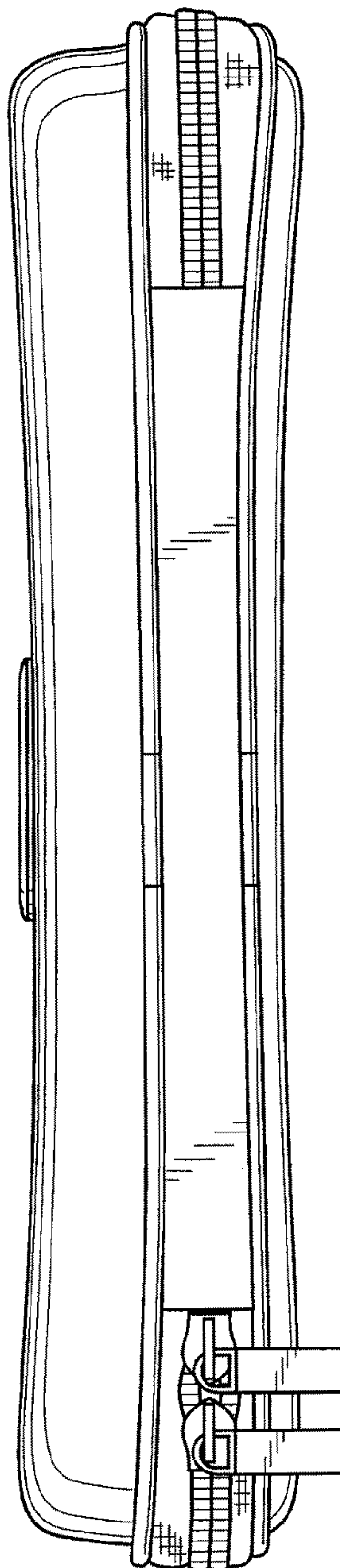


FIG. 11