



US00D670909S

(12) **United States Design Patent**
Price

(10) **Patent No.:** **US D670,909 S**
(45) **Date of Patent:** **** Nov. 20, 2012**

(54) **FISHING LURE ORGANIZER**

DESCRIPTION

(76) Inventor: **Stan Price**, Reno, NV (US)

(**) Term: **14 Years**

(21) Appl. No.: **29/405,291**

(22) Filed: **Oct. 31, 2011**

(51) **LOC (9) Cl.** **03-01**

(52) **U.S. Cl.** **D3/260**

(58) **Field of Classification Search** D3/260,
D3/262, 272-273, 294-297; 206/278, 457,
206/215, 555, 1.5, 235, 265

See application file for complete search history.

(56) **References Cited**

U.S. PATENT DOCUMENTS

2,566,569	A *	9/1951	Jensen	224/239
D167,219	S *	7/1952	Munn	D3/242
D359,392	S *	6/1995	Bellington	D3/262
D362,116	S *	9/1995	Bellington et al.	D3/262
D372,580	S *	8/1996	Chipman, Sr.	D3/262
D443,762	S *	6/2001	Park	D3/295
D583,152	S *	12/2008	Keeney	D3/301
D593,325	S *	6/2009	Evans	D3/313
D621,614	S *	8/2010	Zuniga et al.	D3/282

* cited by examiner

Primary Examiner — Holly Baynham

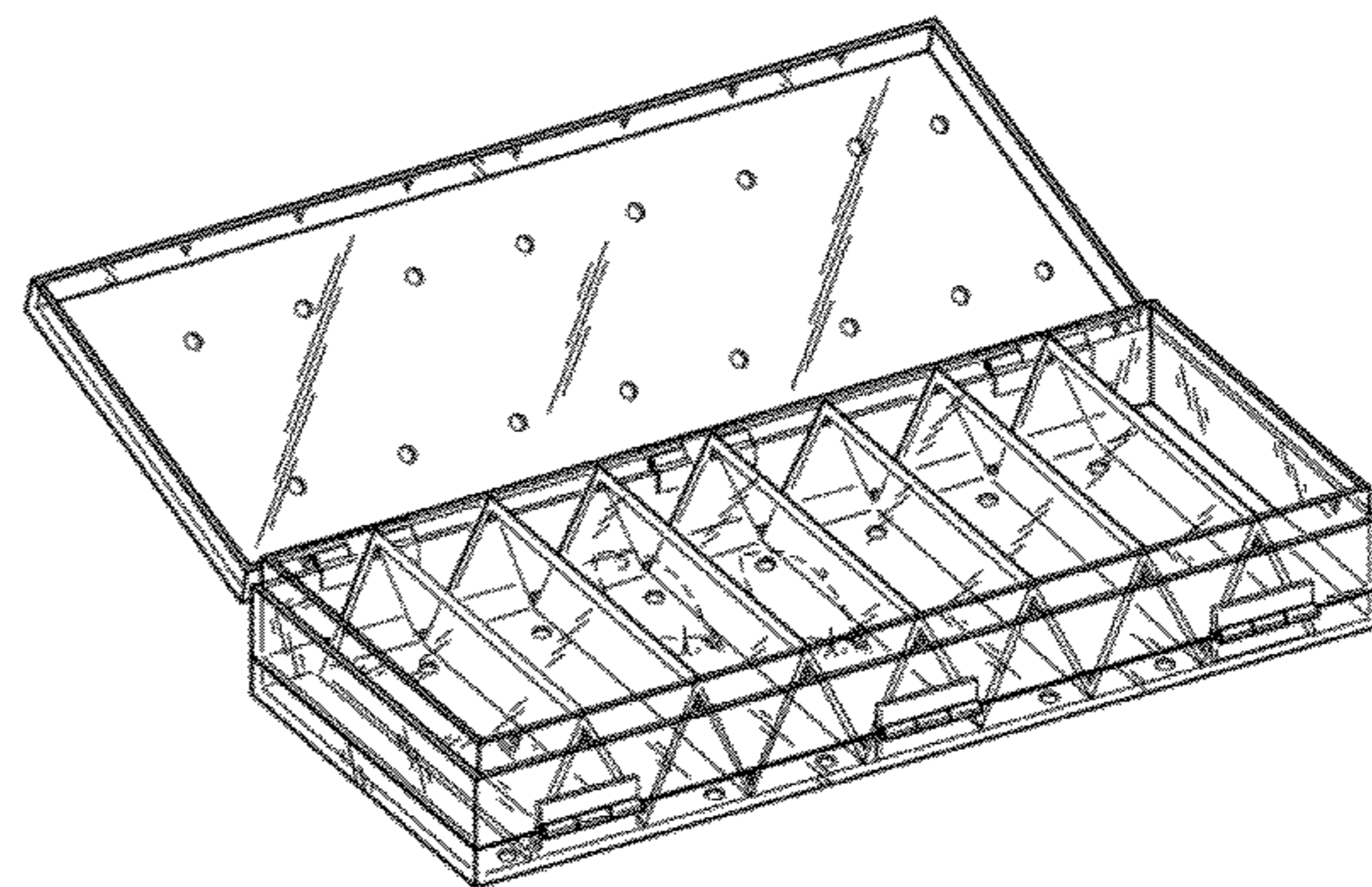
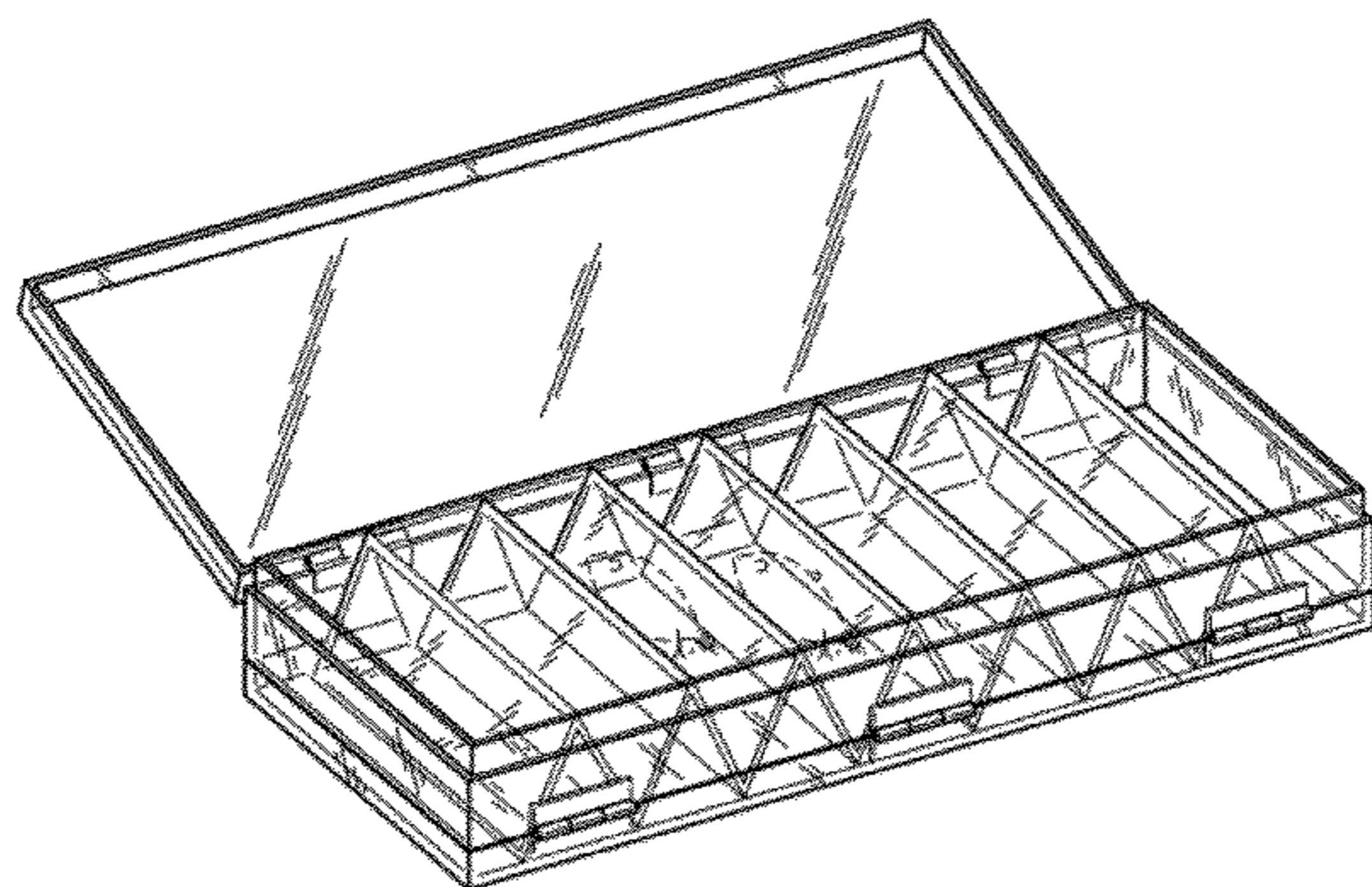
(74) *Attorney, Agent, or Firm* — QuickPatents, Inc.; Kevin Prince

(57) **CLAIM**

I claim the ornamental design for a fishing lure organizer, as shown and described.

FIG. 1 is a top perspective view of a fishing lure organizer, showing a first embodiment of my new design with a top lid in an open position and a bottom lid in a closed position; FIG. 2 is a bottom perspective view thereof, illustrated with the bottom lid in an open position and the top lid in a closed position; FIG. 3 is a perspective view thereof, illustrated with both the top and bottom lids in the closed position; FIG. 4 is a front elevational view of FIG. 3; FIG. 5 is a rear elevational view of FIG. 3; FIG. 6 is a top plan view of FIG. 3, the bottom plan view being a mirror image thereof; FIG. 7 is a left-side elevational view of FIG. 3, the right-side elevational view being a mirror image thereof; FIG. 8 is a top perspective view of a second embodiment, showing the top lid in the open position and the bottom lid in the closed position; FIG. 9 is a bottom perspective view of FIG. 8, illustrated with the bottom lid in the open position and the top lid in the closed position; FIG. 10 is a perspective view of FIG. 8, illustrated with both the top and bottom lids in the closed position; FIG. 11 is a front elevational view of FIG. 8; FIG. 12 is a rear elevational view of FIG. 8; FIG. 13 is a top plan view of FIG. 8, the bottom plan view being a mirror image thereof; and, FIG. 14 is a left-side elevational view of FIG. 8, the right-side elevational view being a mirror image thereof. The broken lines showing fishing lures in FIGS. 1, 2, 8 and 9 depict environmental matter and form no part of the claimed design.

1 Claim, 6 Drawing Sheets



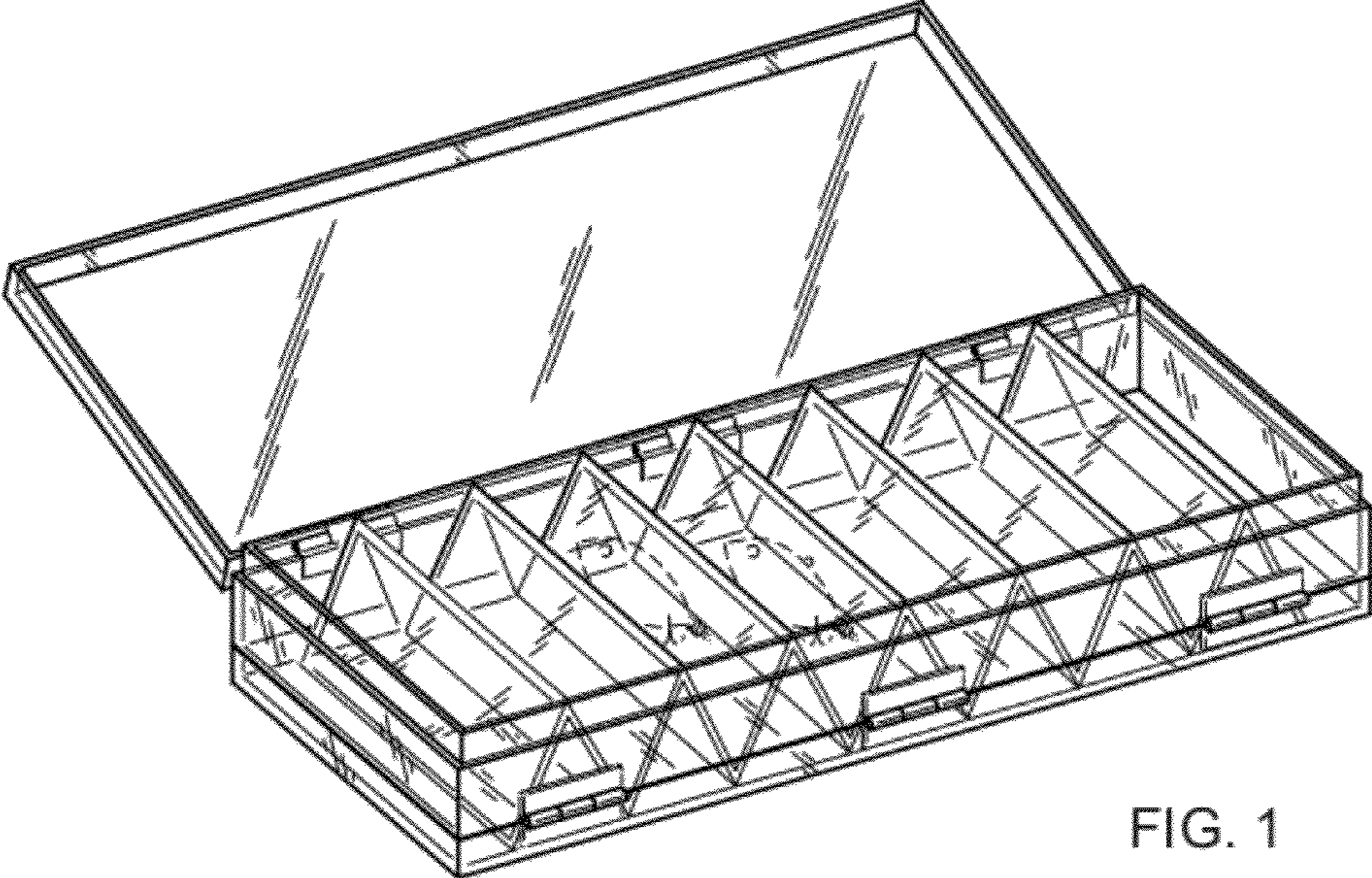


FIG. 1

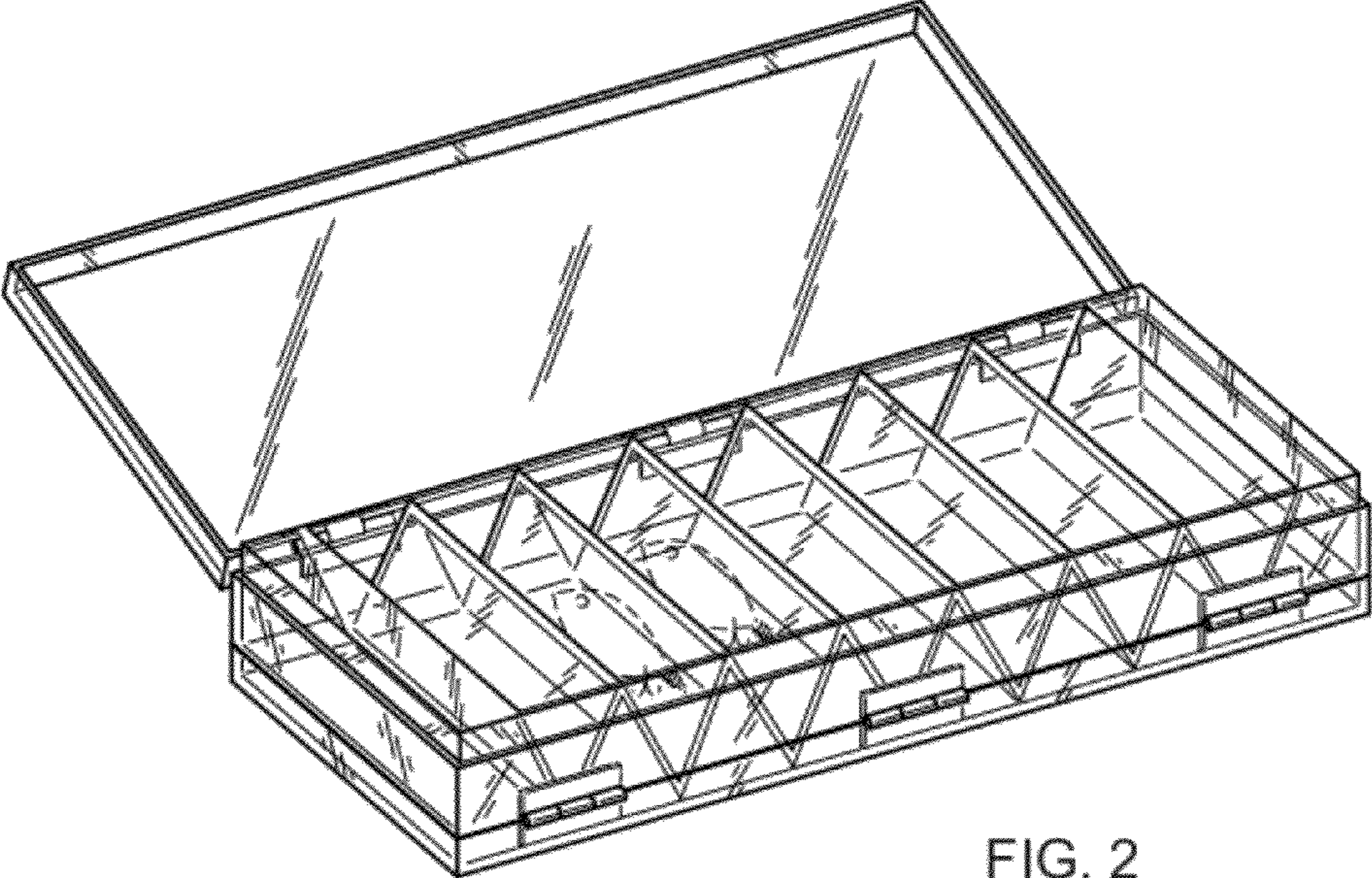


FIG. 2

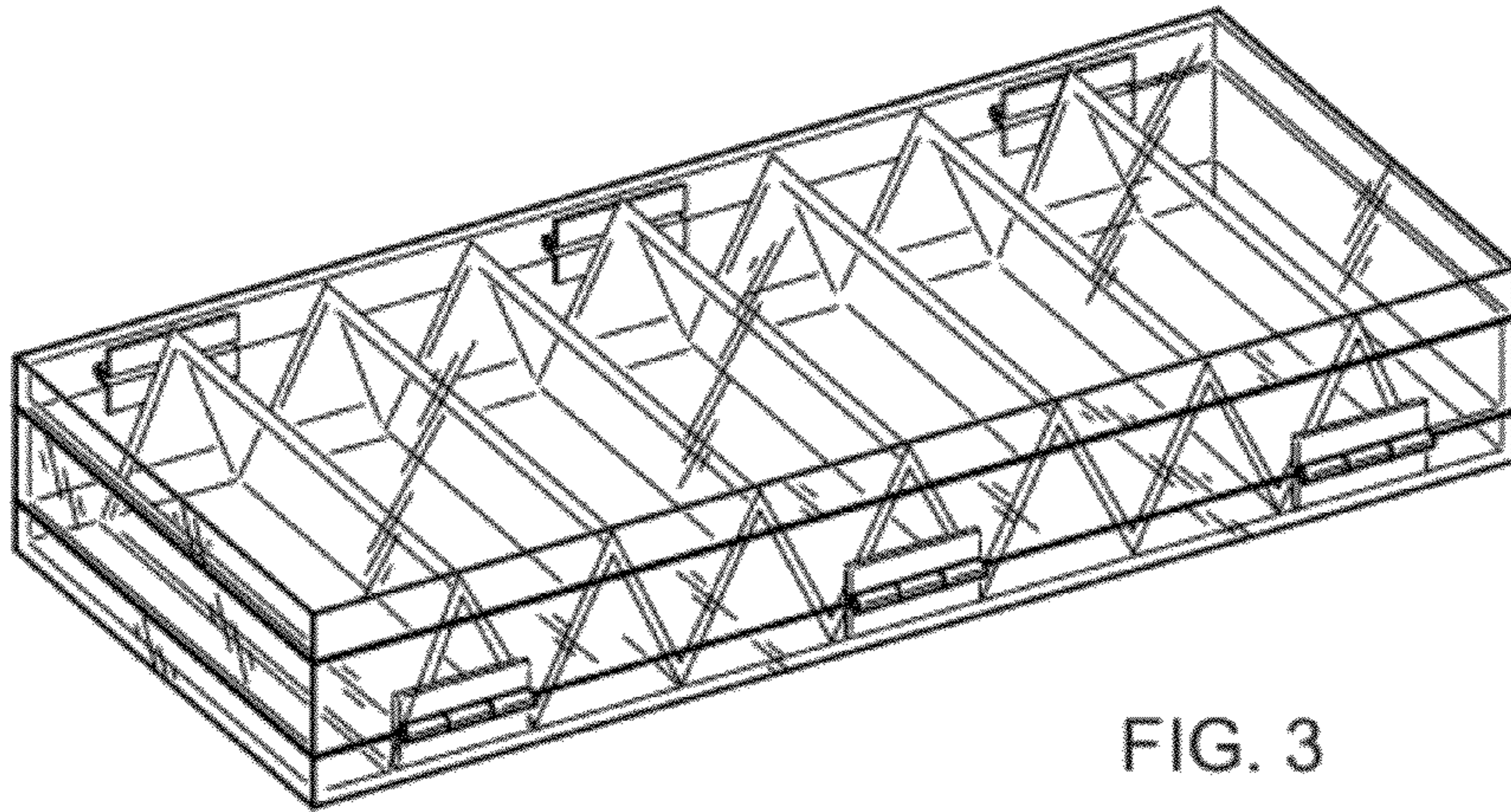


FIG. 3

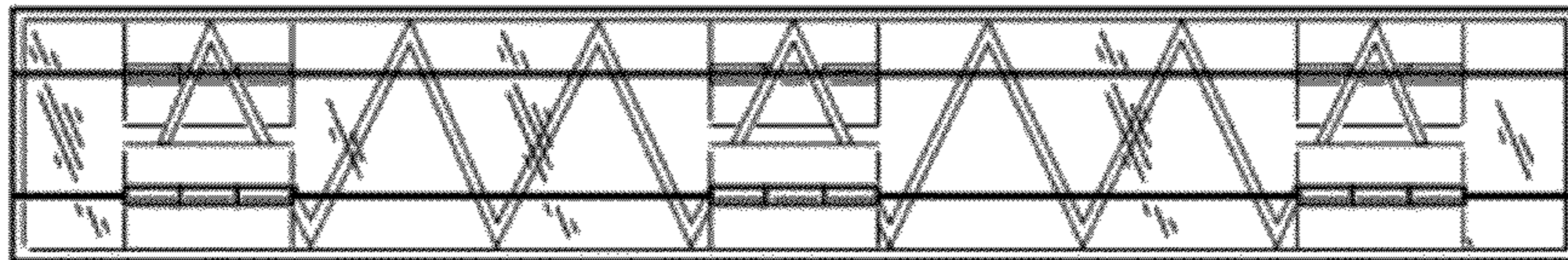


FIG. 4

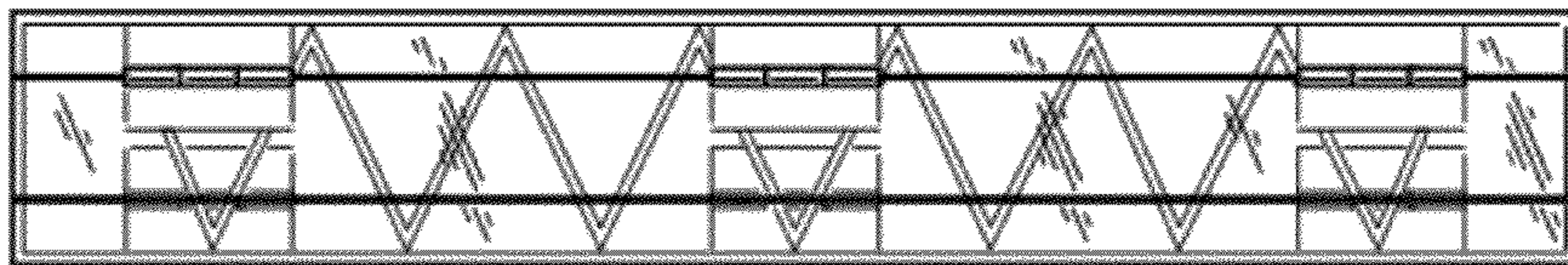


FIG. 5

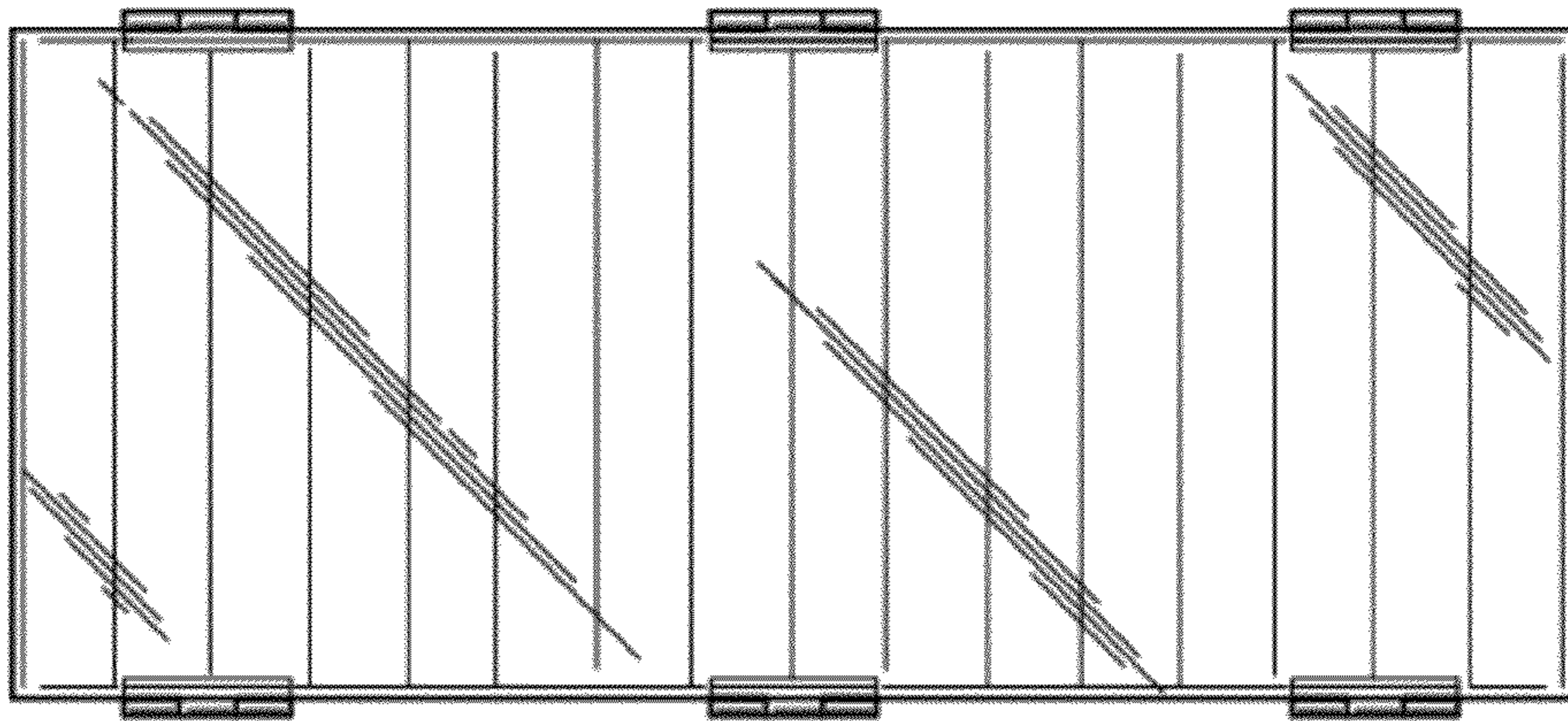


FIG. 6

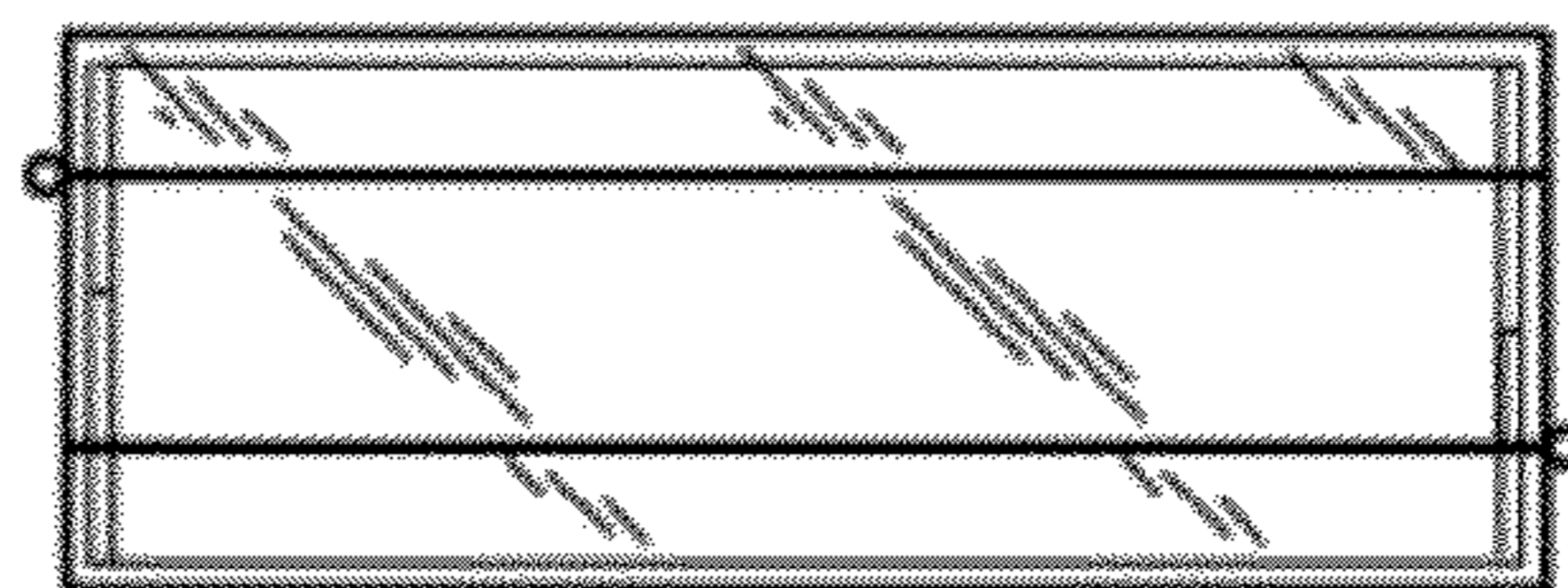


FIG. 7

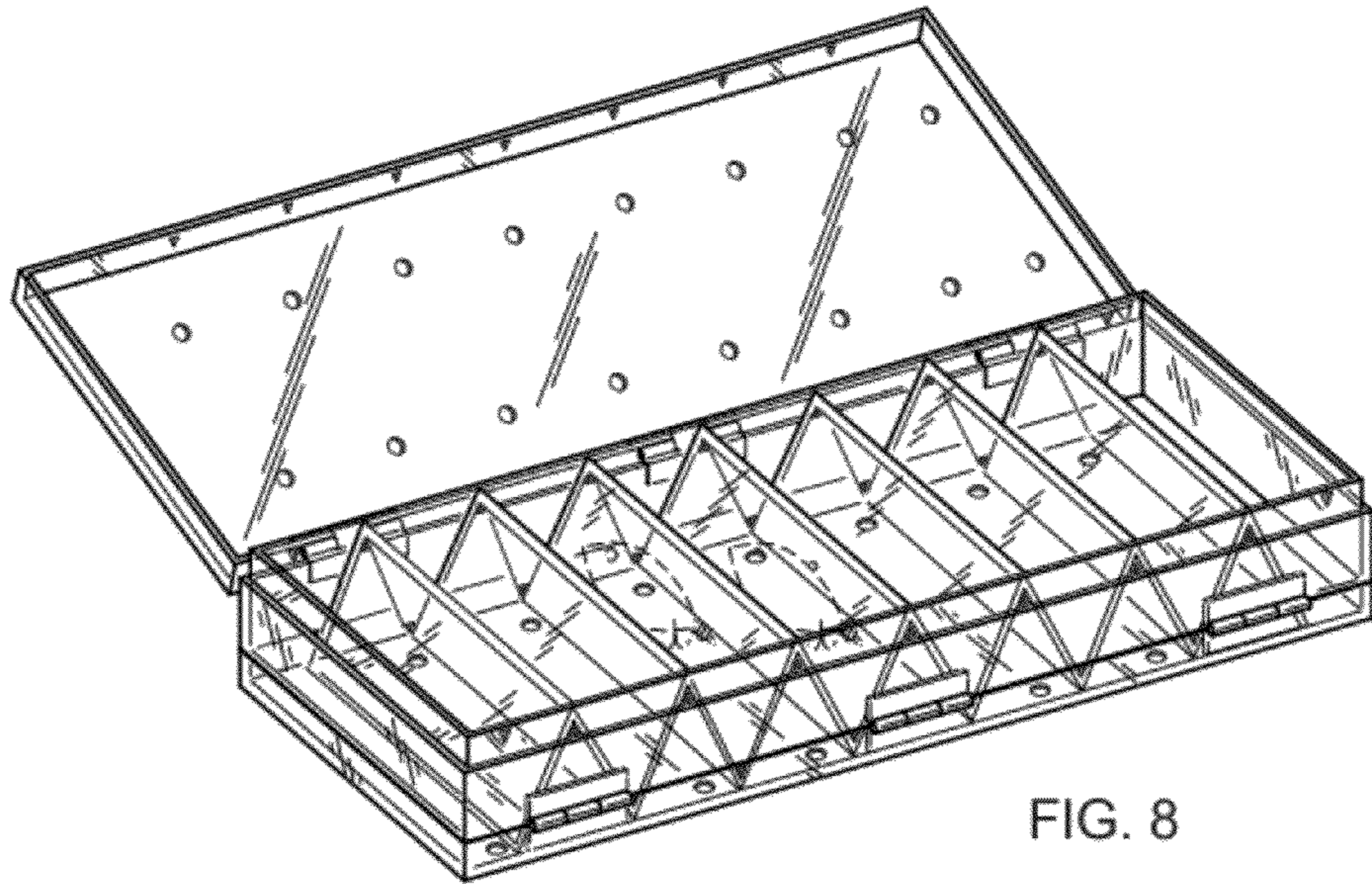


FIG. 8

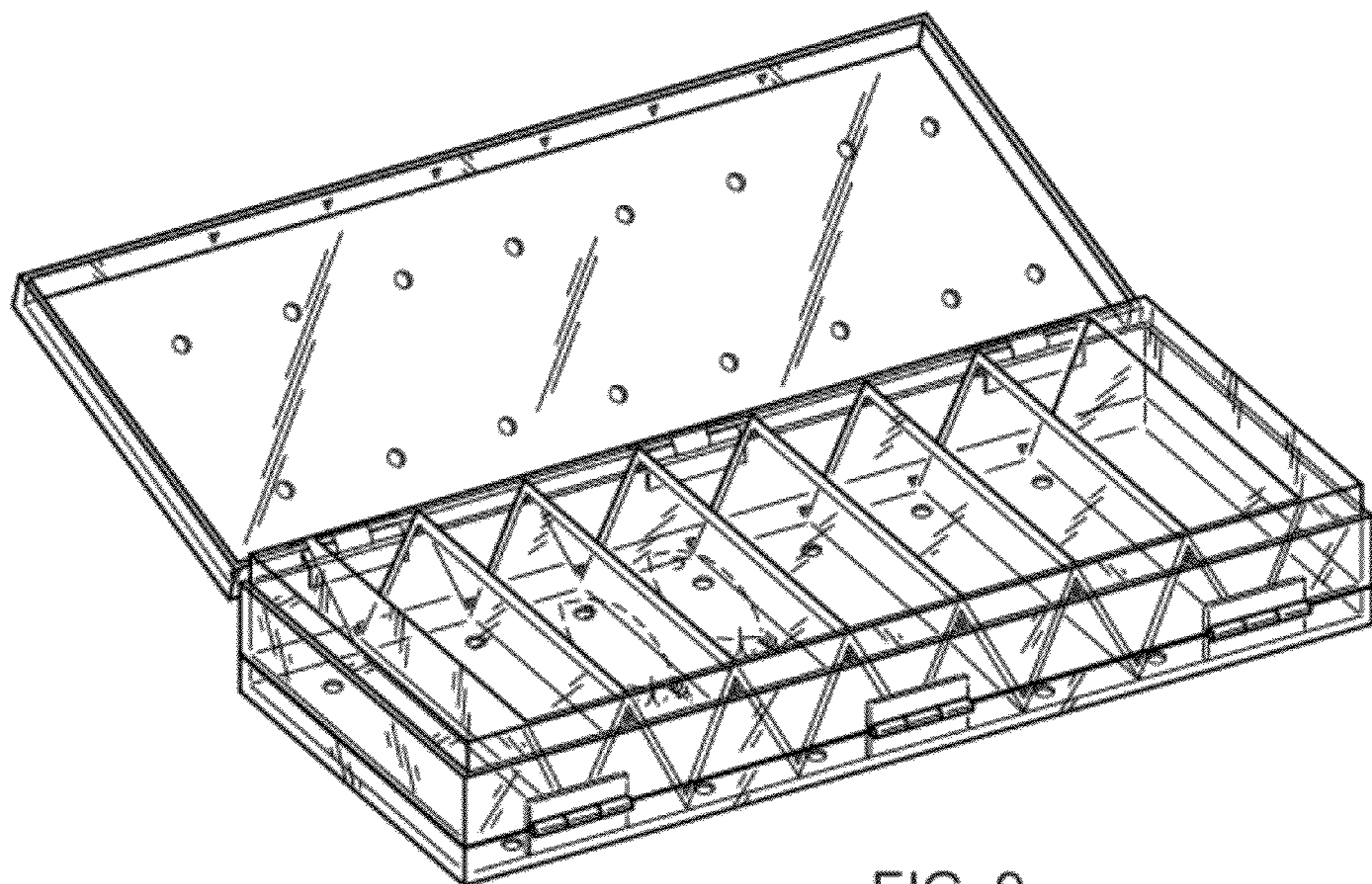


FIG. 9

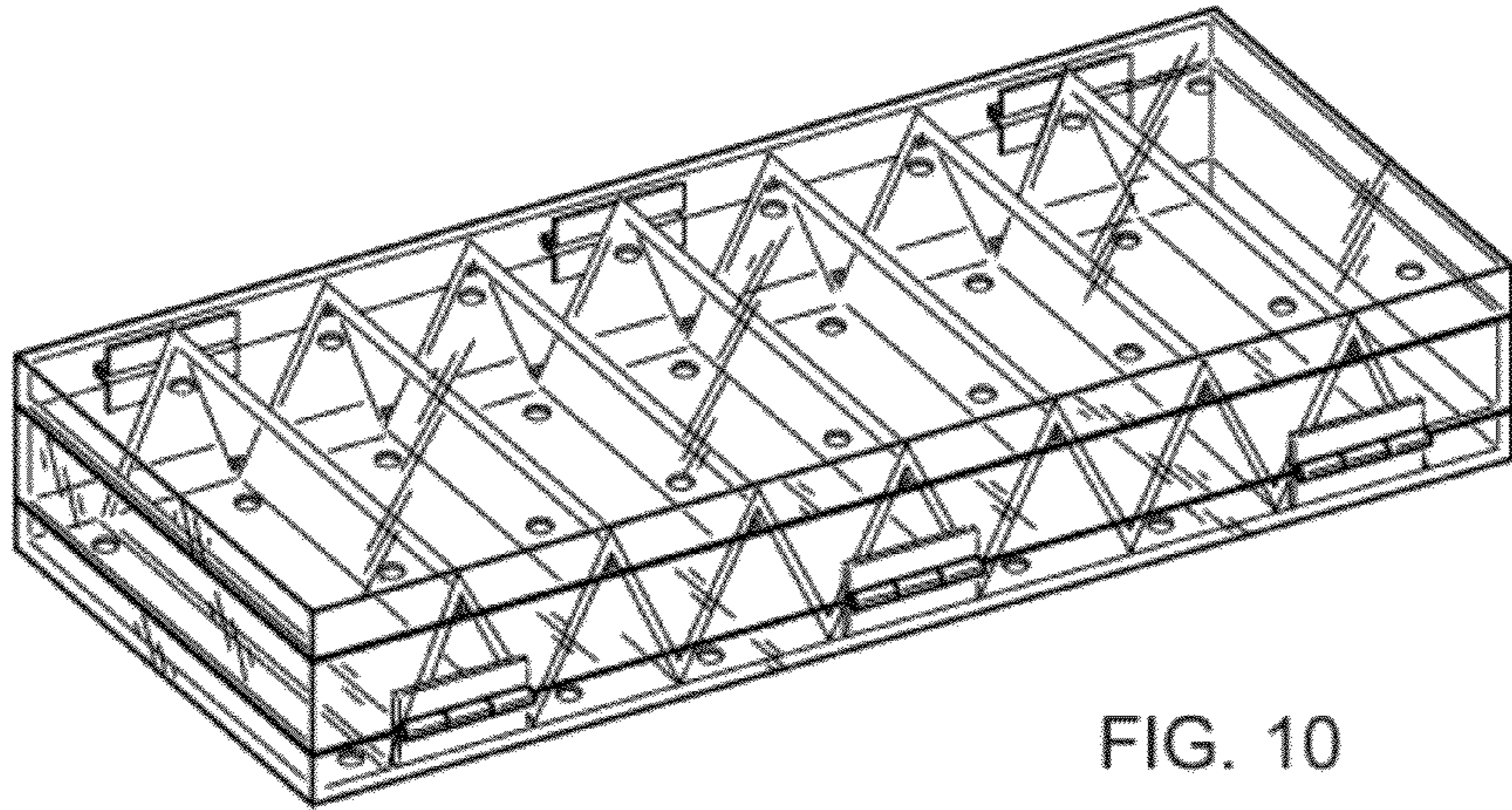


FIG. 10

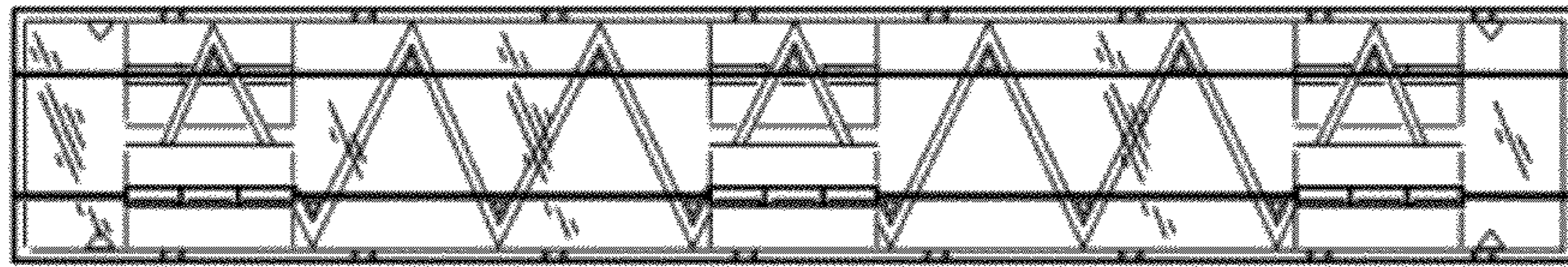


FIG. 11

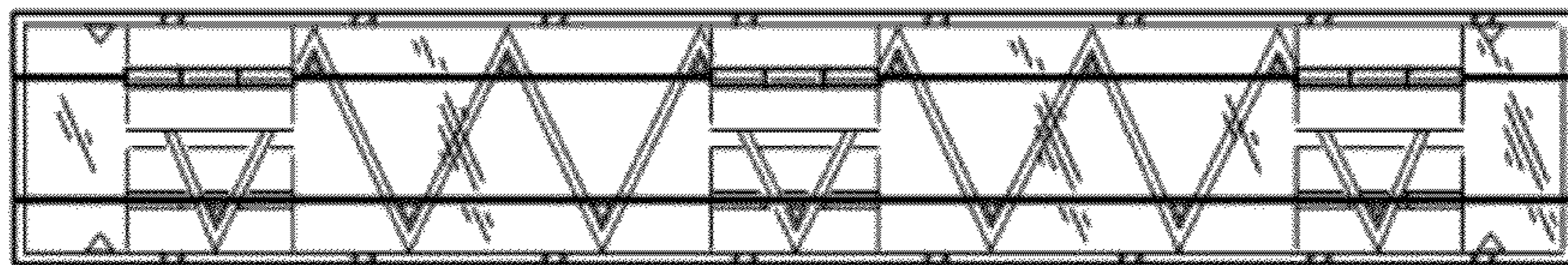


FIG. 12

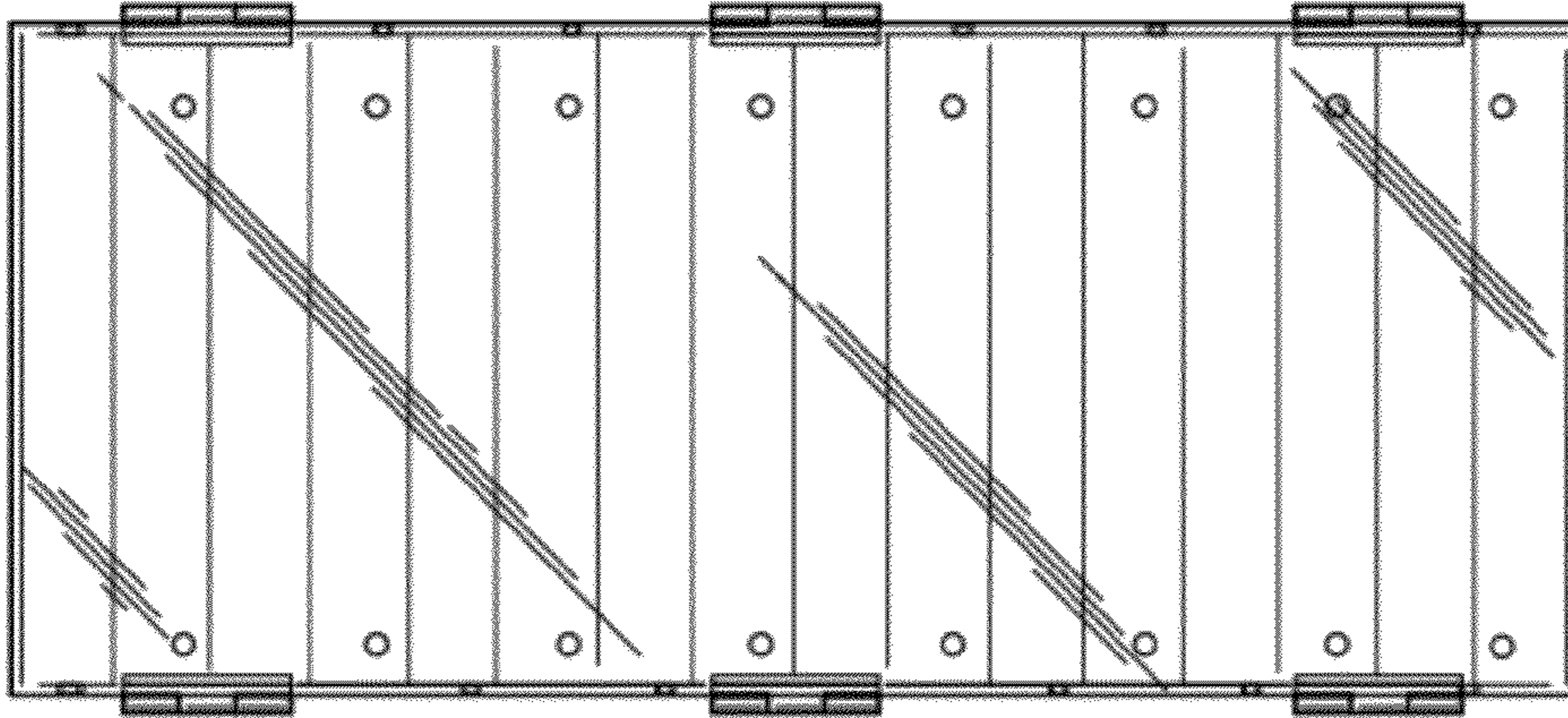


FIG. 13

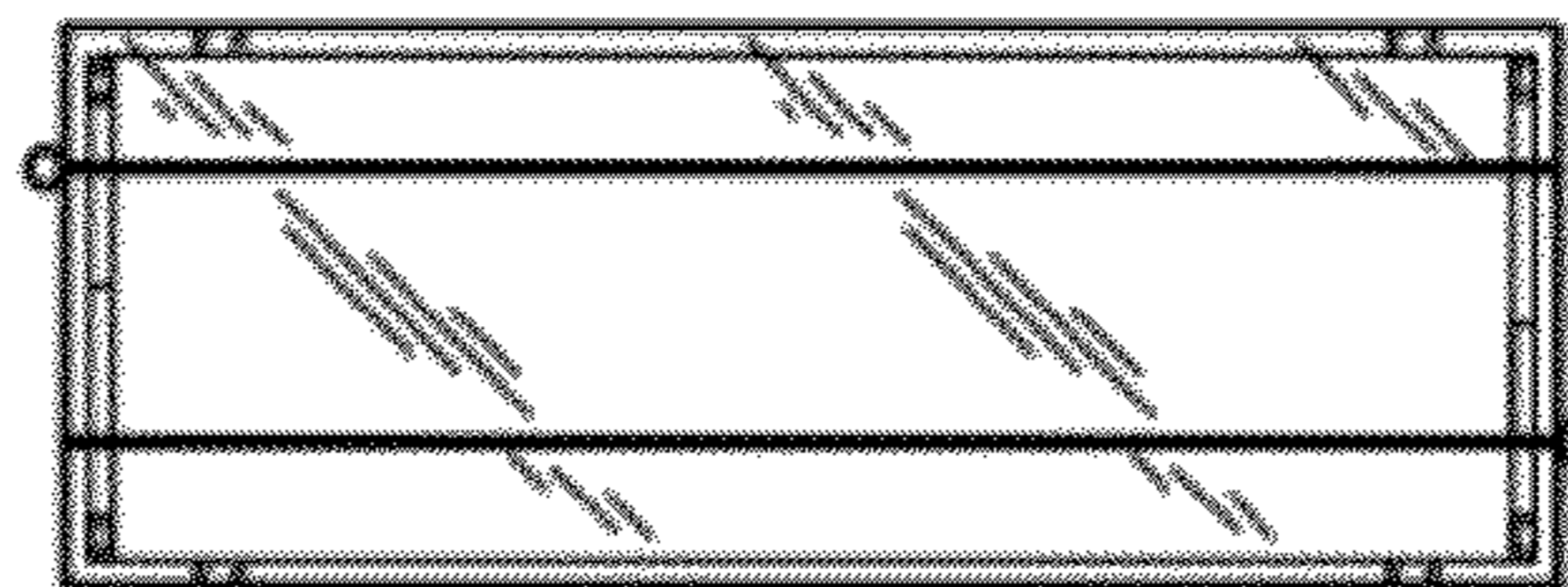


FIG. 14